



US00D673822S

(12) **United States Design Patent**
Kopp et al.

(10) **Patent No.:** **US D673,822 S**

(45) **Date of Patent:** **** Jan. 8, 2013**

(54) **SHOVEL BLADE**

D553,920 S * 10/2007 Rosine et al. D8/10
D572,094 S * 7/2008 Rosine et al. D8/10

(75) Inventors: **Robert G. Kopp**, Elburn, IL (US);
Michael R. Vogler, Oswego, IL (US)

* cited by examiner

(73) Assignee: **Suncast Technologies, LLC**, Palm
Beach Gardens, FL (US)

Primary Examiner — Sheryl Lane

(74) *Attorney, Agent, or Firm* — McHale & Slavin, P.A.

(**) Term: **14 Years**

(57) **CLAIM**

The ornamental design for a shovel blade, as shown and described.

(21) Appl. No.: **29/398,188**

DESCRIPTION

(22) Filed: **Jul. 27, 2011**

(51) **LOC (9) Cl.** **08-01**

(52) **U.S. Cl.** **D8/10**

(58) **Field of Classification Search** D8/1, 10,
D8/7, 11, 9; 294/49, 53.5, 54.5, 57, 55.5,
294/51, 56, 58; 56/400.01, 400.14; 172/371-372;
D30/162; 209/418-419

See application file for complete search history.

FIG. 1 is a top front perspective view of the shovel blade of the instant invention;

FIG. 2 is a front perspective view thereof;

FIG. 3 is a front view thereof;

FIG. 4 is a rear view thereof;

FIG. 5 is a left side view thereof;

FIG. 6 is a right side view thereof;

FIG. 7 is a top view thereof; and,

FIG. 8 is a bottom view thereof.

The portions of the figures illustrated in broken lines are for illustrating surface contours only and form no part of the claimed design.

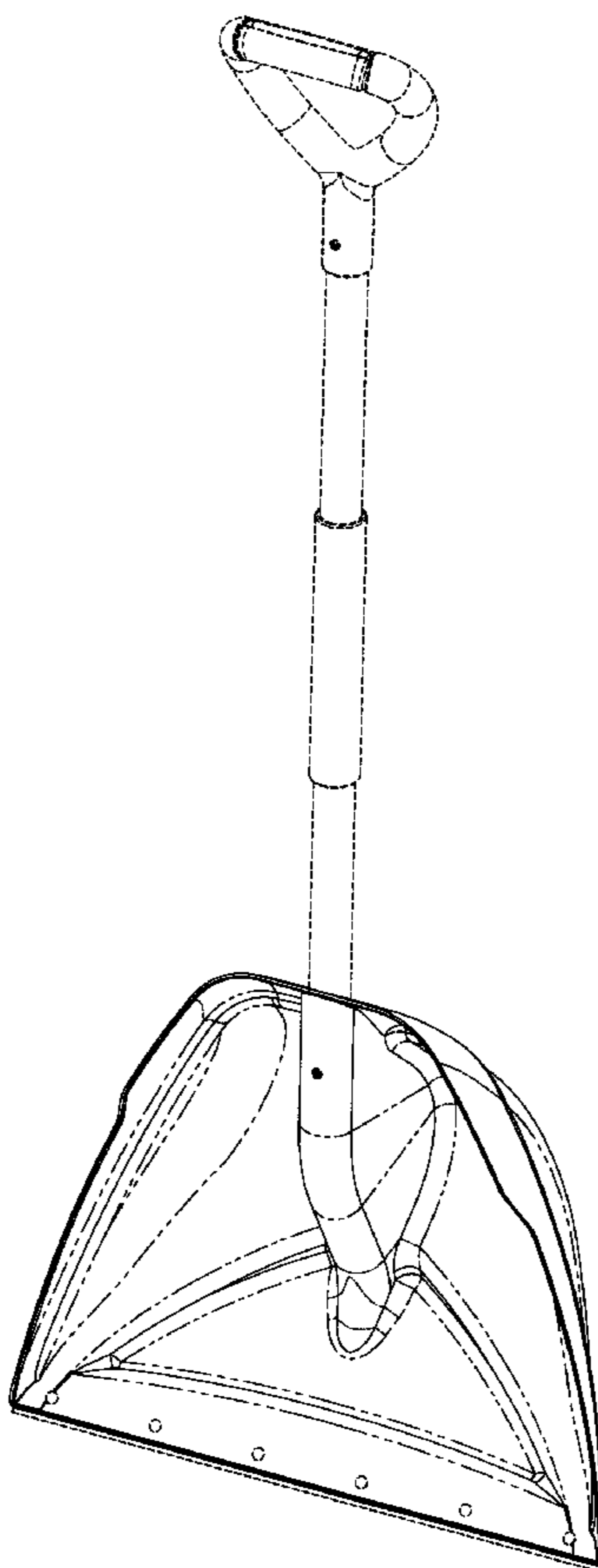
The dashed lines on the shovel head represent soft contour lines which form part of the claimed design. The broken lines on the shovel handle represent portions of the article and form no part of the claimed design.

(56) **References Cited**

U.S. PATENT DOCUMENTS

D487,680 S * 3/2004 Sickler et al. D8/10
7,118,145 B1 * 10/2006 Rosine et al. 294/57
D546,644 S * 7/2007 Rosine et al. D8/10
D546,645 S * 7/2007 Rosine et al. D8/10

1 Claim, 6 Drawing Sheets



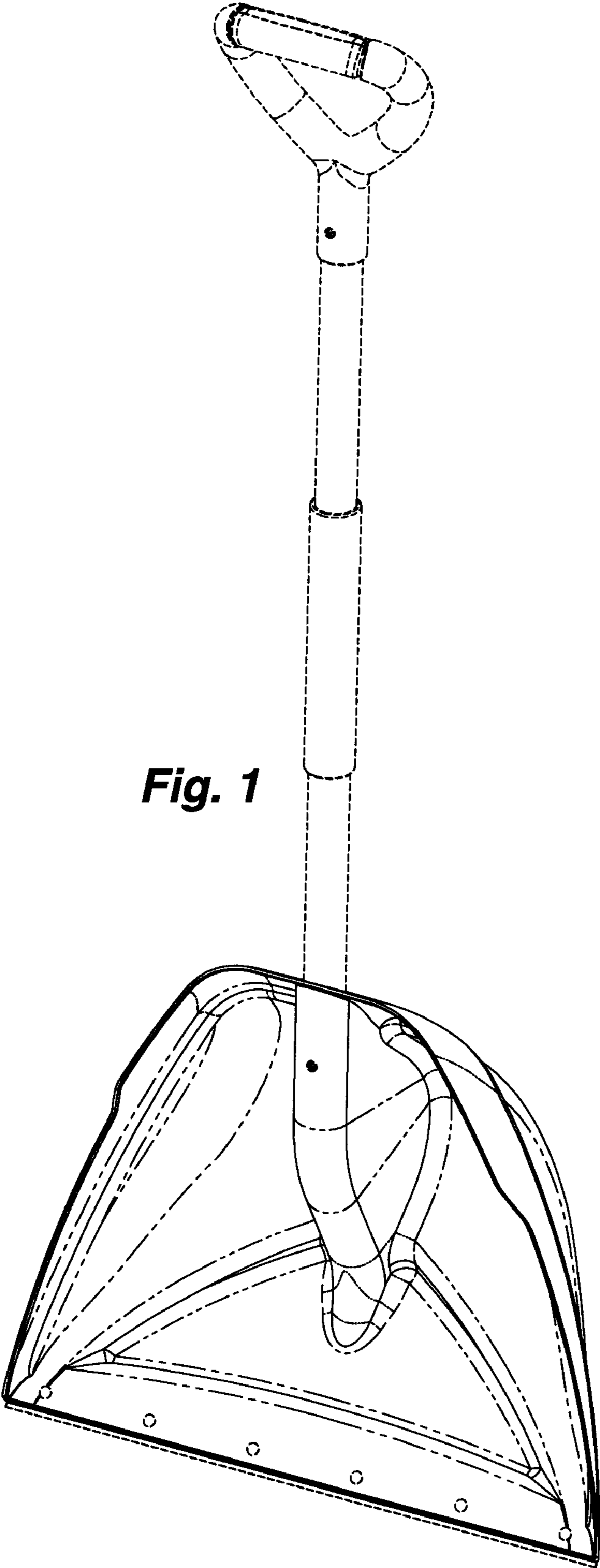


Fig. 1

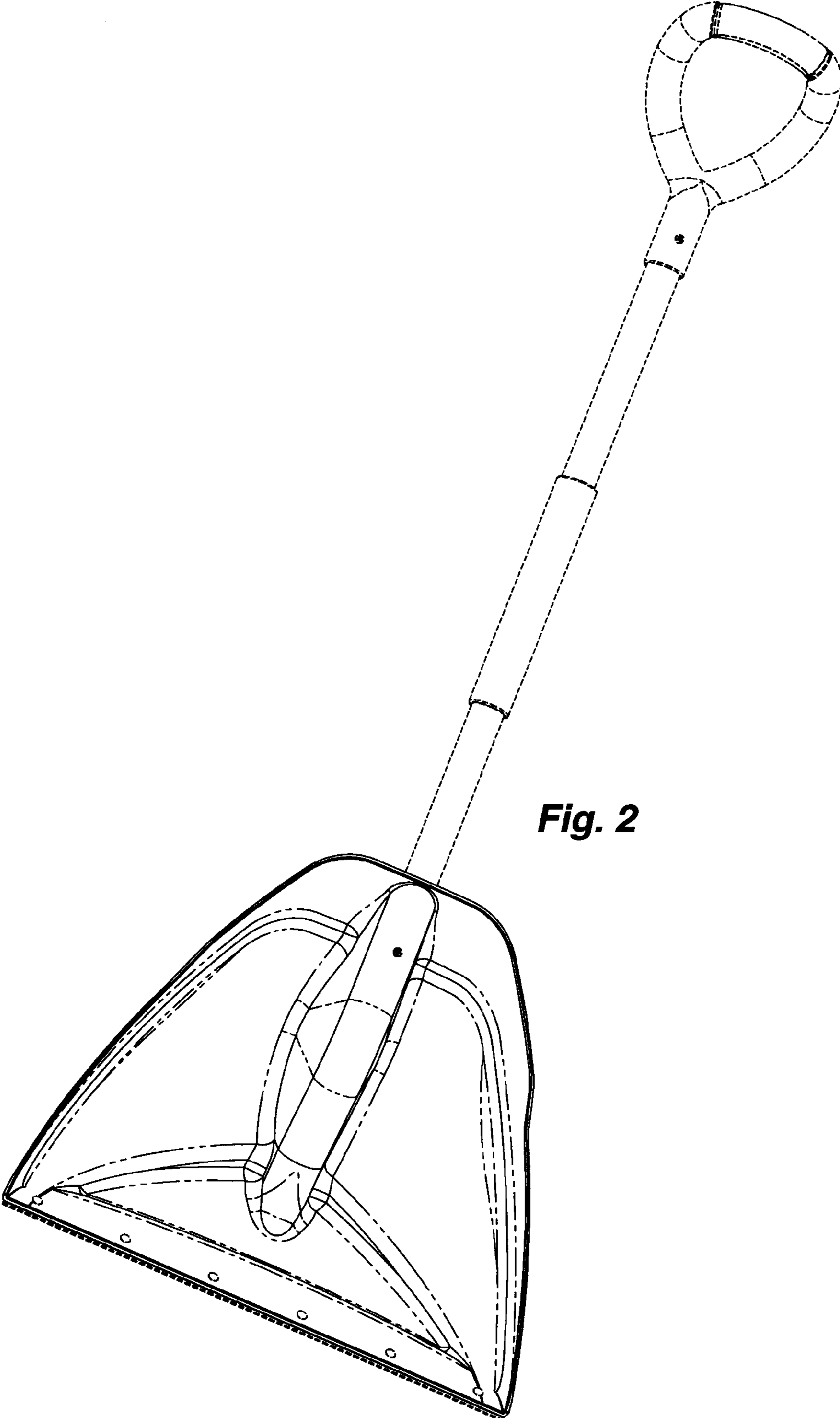


Fig. 2

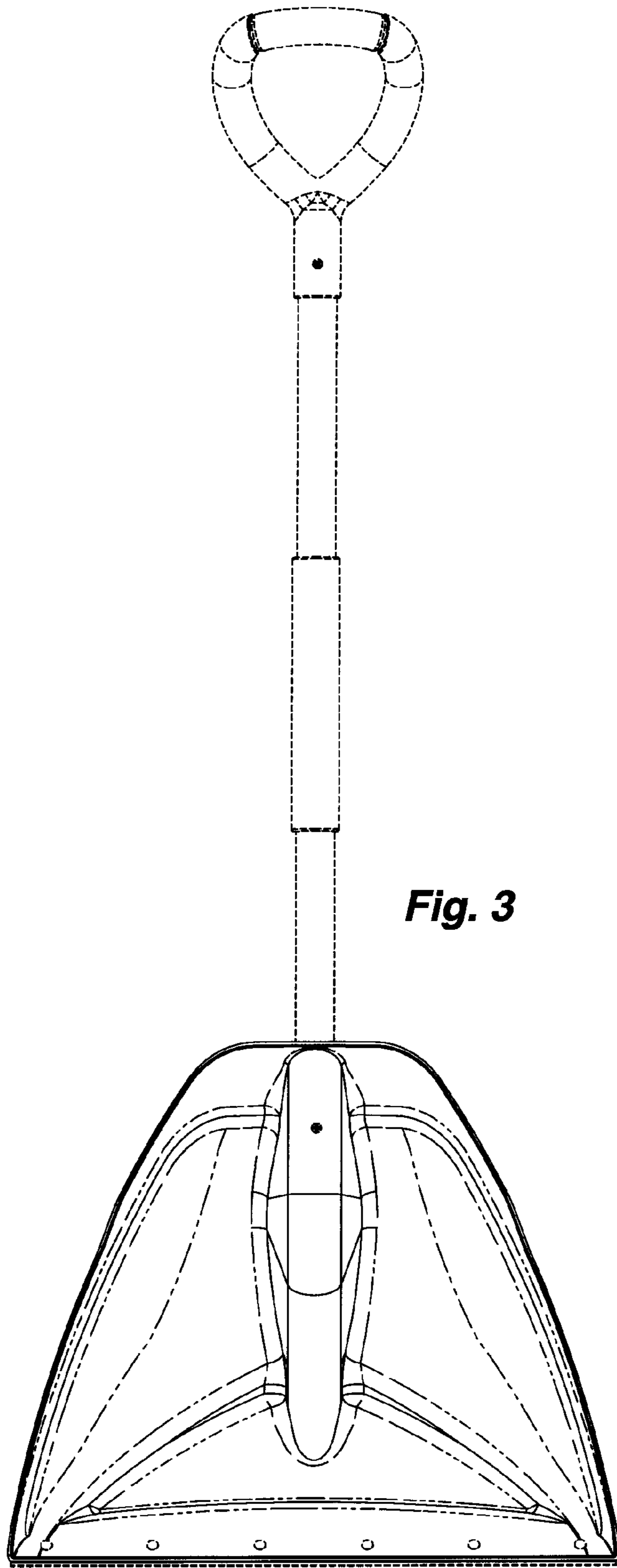


Fig. 3

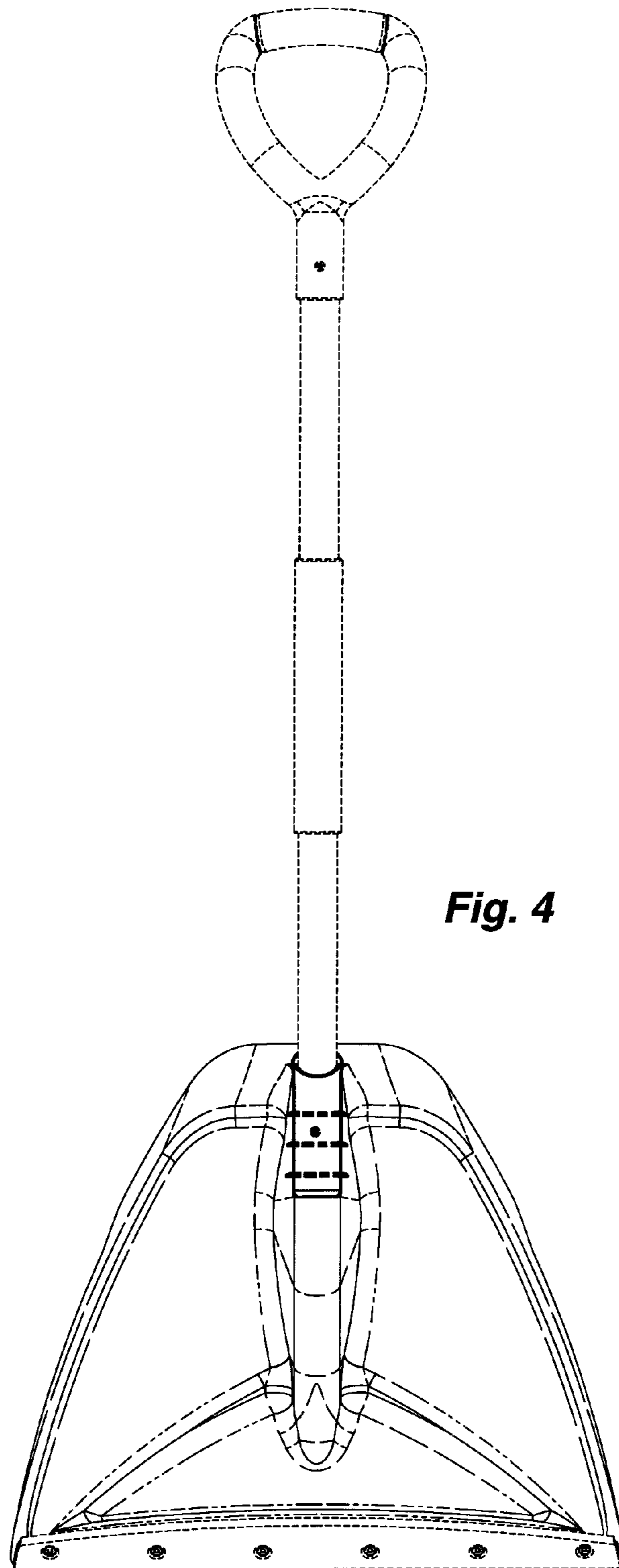


Fig. 4

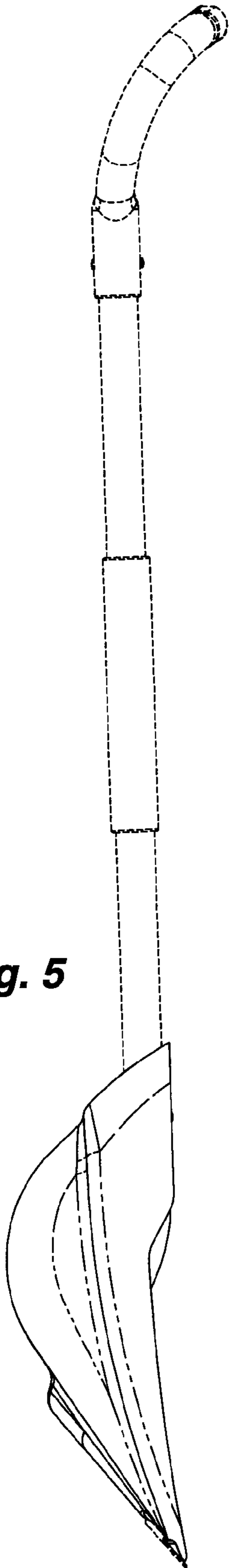


Fig. 5

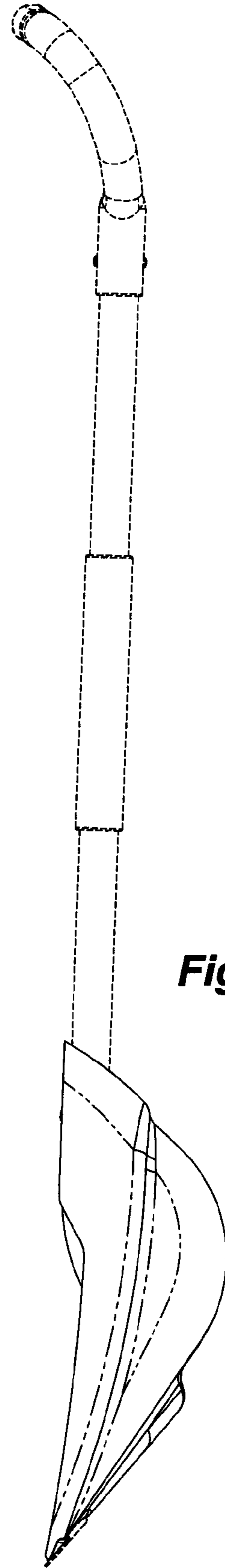


Fig. 6

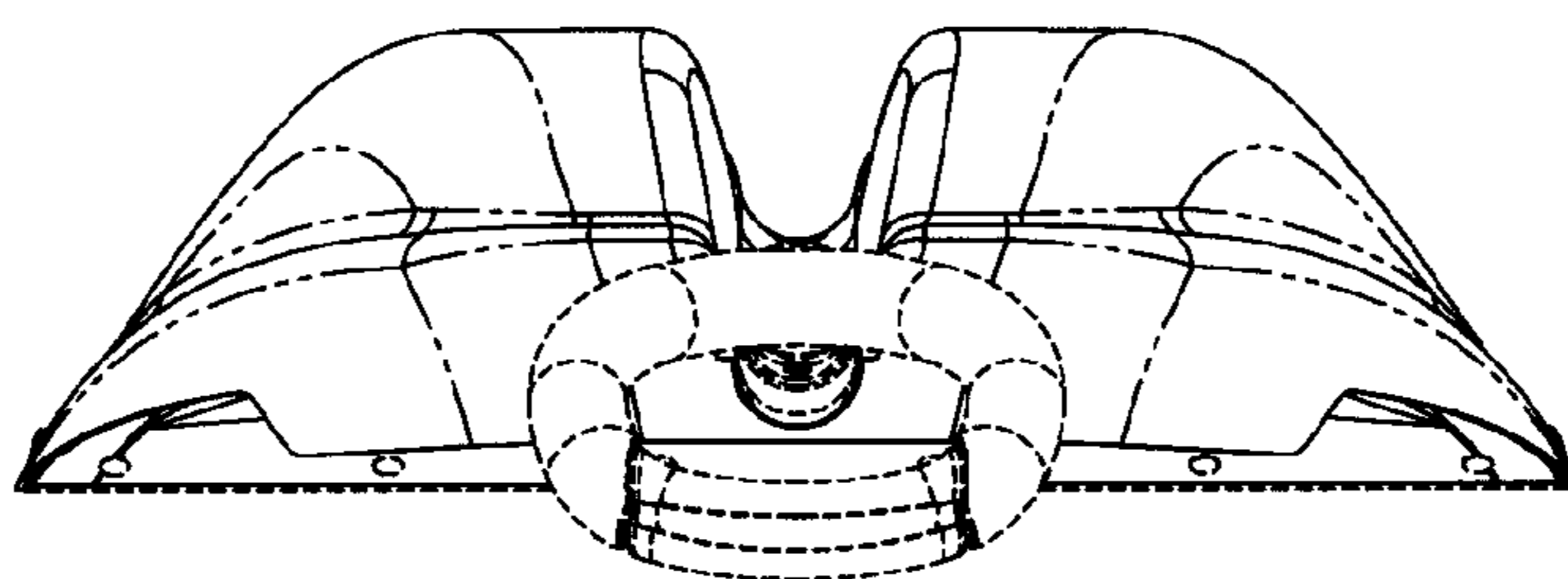


Fig. 7

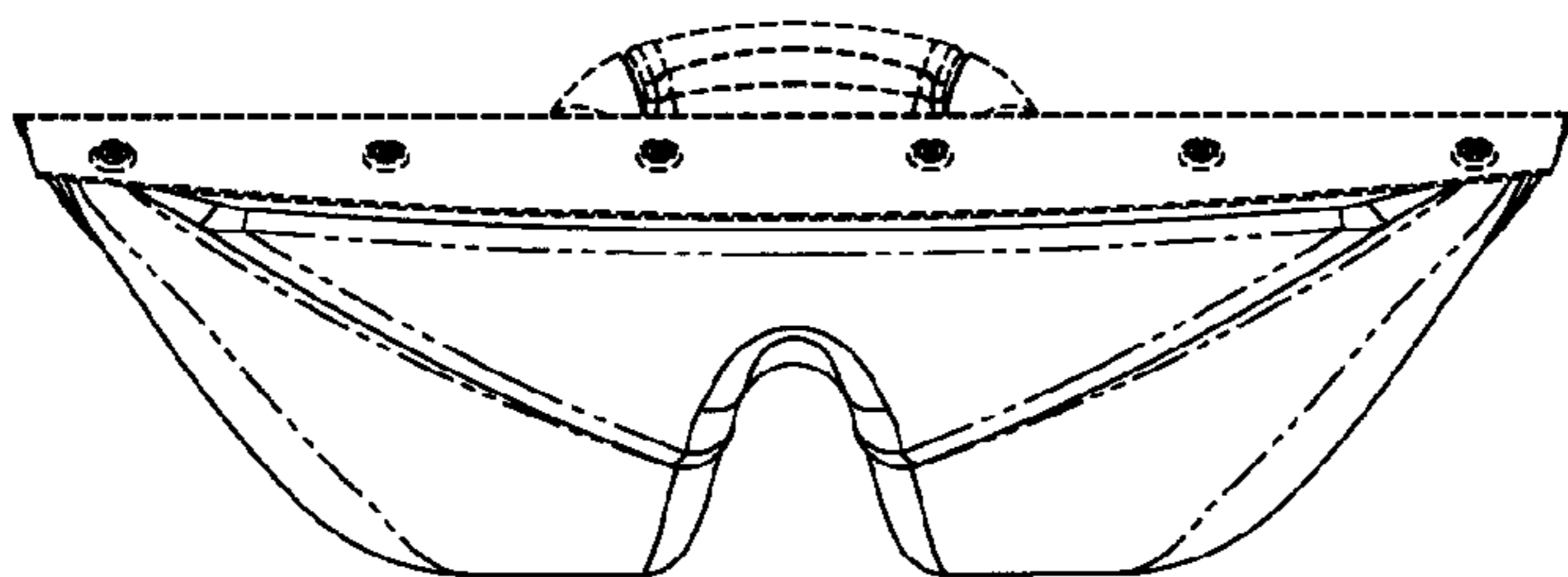


Fig. 8