



US00D673816S

(12) **United States Design Patent**
Phillips

(10) **Patent No.:** **US D673,816 S**

(45) **Date of Patent:** **** Jan. 8, 2013**

(54) **CUP HOLDER**

(76) Inventor: **Russell R. Phillips**, Topeka, KS (US)

(**) Term: **14 Years**

(21) Appl. No.: **29/420,033**

(22) Filed: **May 3, 2012**

(51) **LOC (9) Cl.** **07-06**

(52) **U.S. Cl.** **D7/620**

(58) **Field of Classification Search** D7/619.1-625,
D7/701-708; 211/74, 71.01; 297/188.18,
297/188.01, 188.14, 188.15, 188.16, 188.2,
297/411.23; 248/311.2, 912, 313, 309.1,
248/230.5; 229/89-91; 224/926, 275

See application file for complete search history.

(56) **References Cited**

U.S. PATENT DOCUMENTS

D302,087 S	7/1989	Speros et al.	
4,863,134 A *	9/1989	Young et al.	248/311.2
D334,804 S	4/1993	Jones et al.	
5,238,212 A *	8/1993	Dechellis	248/311.2
5,302,000 A *	4/1994	Ayotte	297/188.14
D350,259 S *	9/1994	Ayotte	D7/620
D353,289 S *	12/1994	Ayotte et al.	D7/620
5,395,085 A *	3/1995	Mann	248/311.2
D361,475 S *	8/1995	Strong	D7/620
5,474,272 A *	12/1995	Thompson et al.	248/311.2

D378,334 S *	3/1997	Legere	D7/620
D470,727 S	2/2003	Bartley	
D474,944 S	5/2003	Cronk et al.	
D514,393 S	2/2006	Bidne	
D523,705 S *	6/2006	Baida et al.	D7/620
D534,397 S	1/2007	Burch	
D649,408 S	11/2011	Delk et al.	
D654,322 S	2/2012	Duncan	
2012/0007394 A1	1/2012	Nelson et al.	

* cited by examiner

Primary Examiner — Terry Wallace

(74) *Attorney, Agent, or Firm* — QuickPatents, Inc.; Kevin Prince

(57) **CLAIM**

I claim the ornamental design for a cup holder, as shown and described.

DESCRIPTION

FIG. 1 is a perspective view of a cup holder, showing my new design;

FIG. 2 is a top plan view thereof;

FIG. 3 is a left-side elevational view thereof, the right-side elevational view being a mirror image thereof;

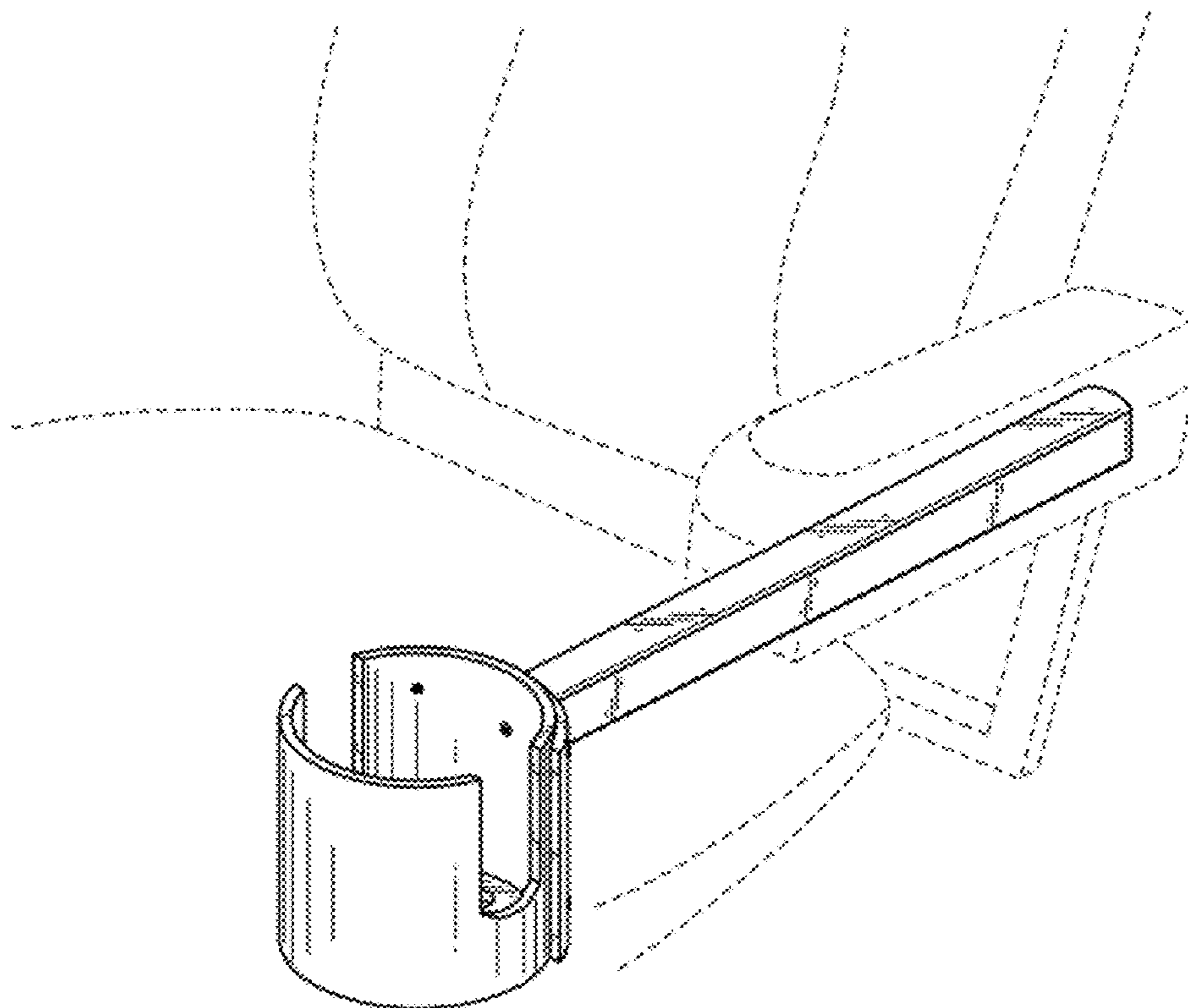
FIG. 4 is a bottom plan view thereof;

FIG. 5 is a front elevational view thereof; and,

FIG. 6 is a rear elevational view thereof.

The broken lines showing a chair and arm rest in FIG. 1 depict environmental matter and form no part of the claimed design.

1 Claim, 3 Drawing Sheets



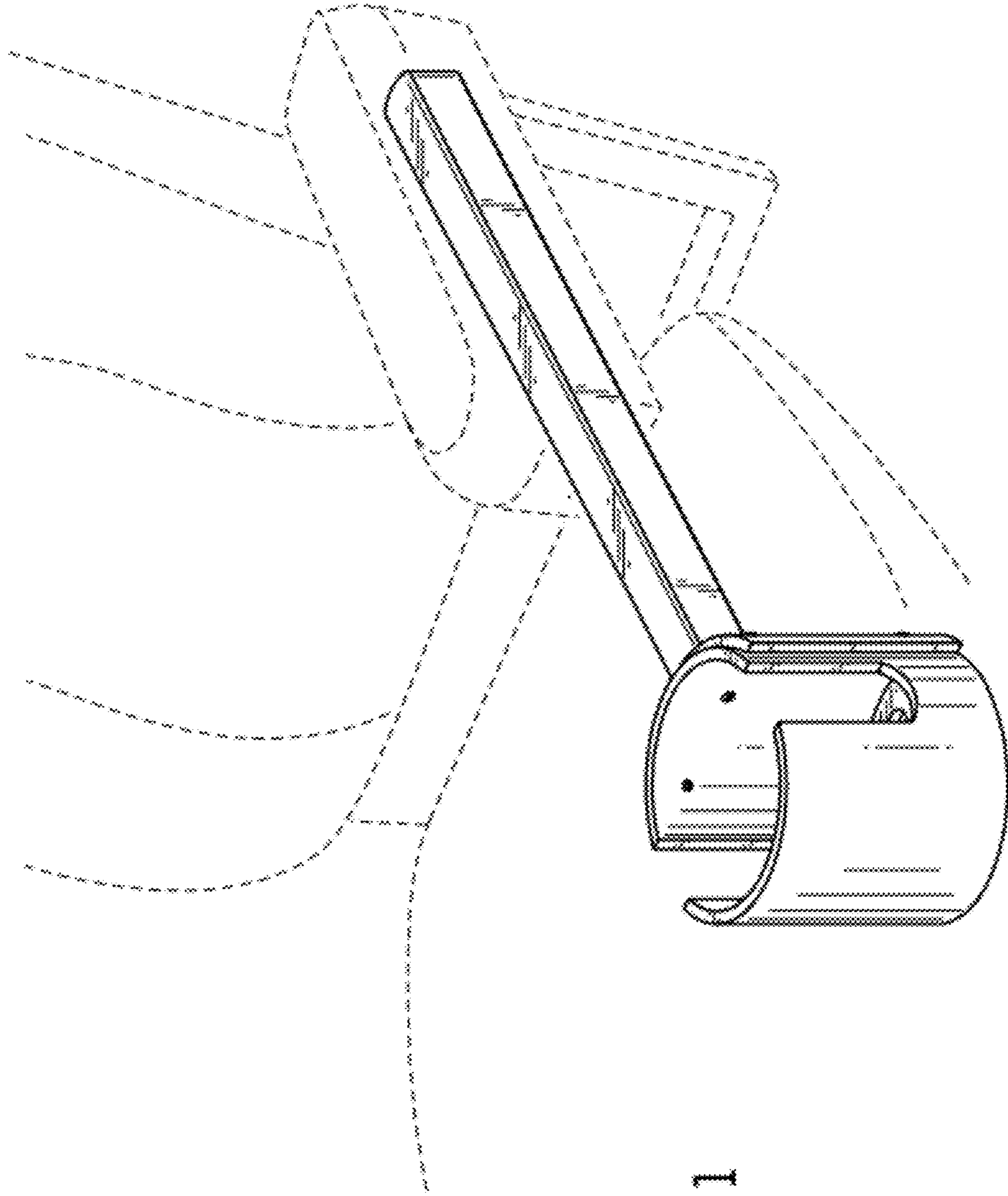


FIG. 1

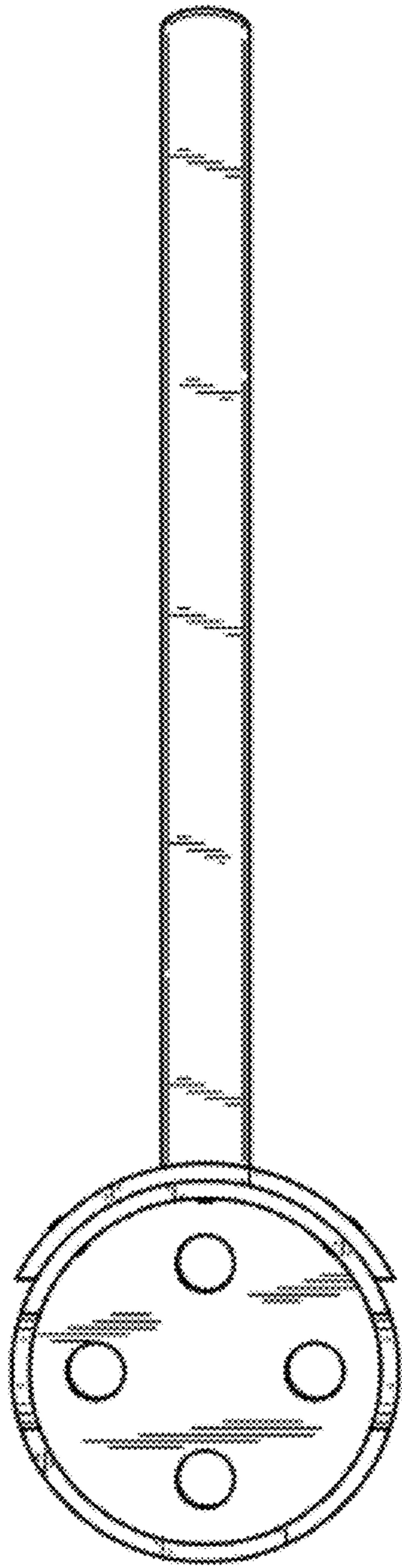


FIG. 2

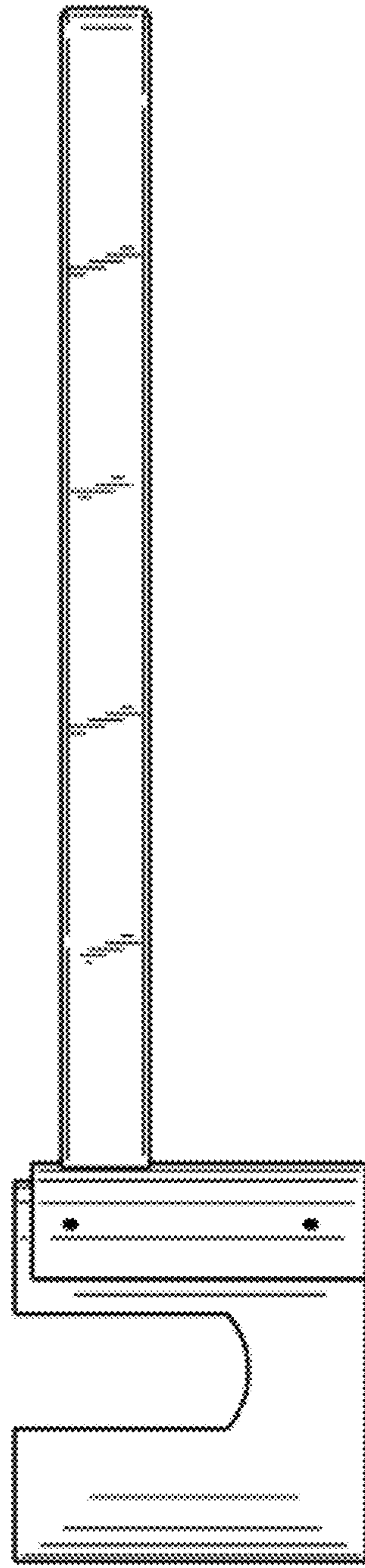


FIG. 3

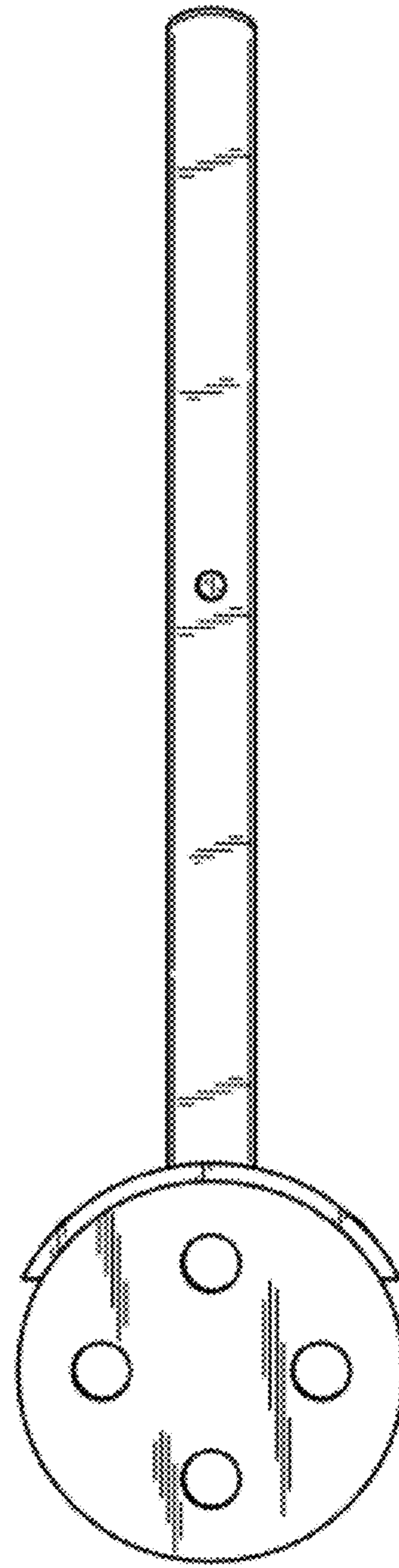


FIG. 4

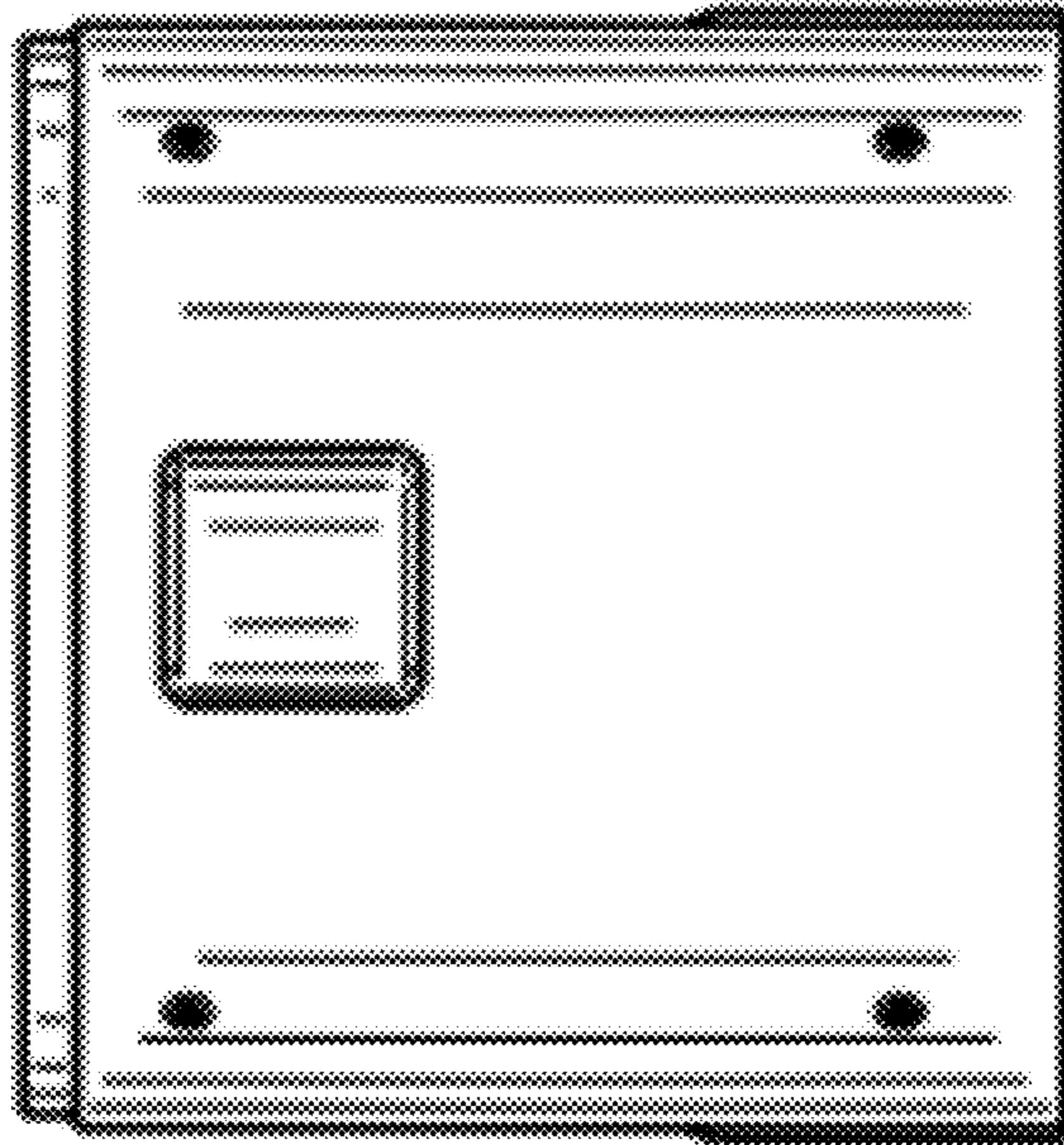


FIG. 6

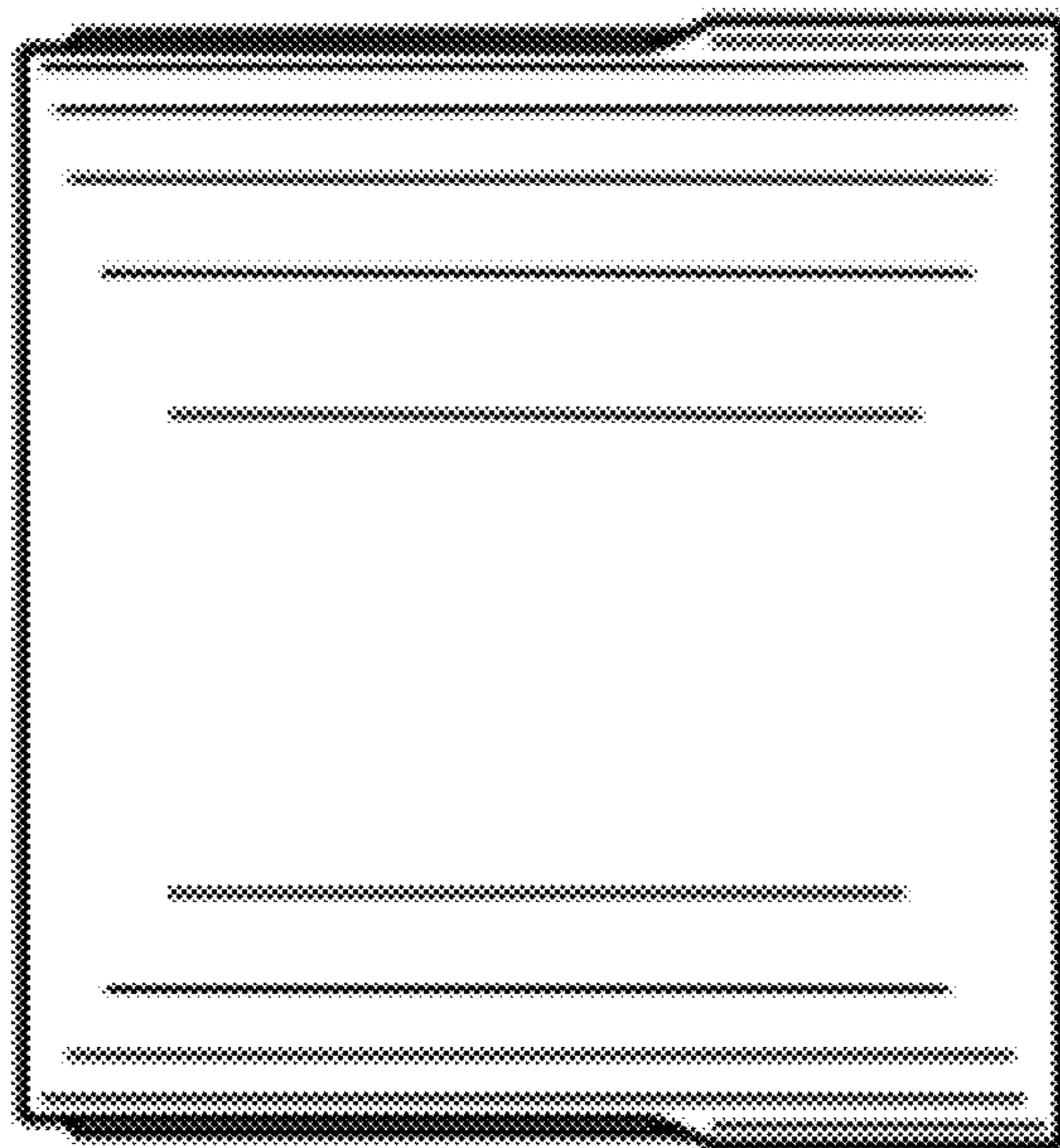


FIG. 5