



US00D673815S

(12) **United States Design Patent**
Inskeep

(10) **Patent No.:** **US D673,815 S**

(45) **Date of Patent:** **** Jan. 8, 2013**

(54) **COOLER**

(76) Inventor: **Mathew Inskeep**, Boca Raton, FL (US)

(**) Term: **14 Years**

(21) Appl. No.: **29/414,880**

(22) Filed: **Mar. 5, 2012**

(51) **LOC (9) Cl.** **07-01**

(52) **U.S. Cl.** **D7/605**

(58) **Field of Classification Search** D7/605-608,
D7/629; D15/79, 81, 83; 62/457.1-457.9,
62/371, 372, 3.6, 3.61; 220/915.1, 915.2,
220/592.2, 592.01, 592.03, 592.16, 592.17

See application file for complete search history.

(56) **References Cited**

U.S. PATENT DOCUMENTS

2,522,623	A *	9/1950	Kas et al.	62/457.7
D256,587	S *	8/1980	Tatsumi	D15/83
D285,692	S *	9/1986	Albiez	D15/81
D352,420	S *	11/1994	Costello	D7/605

5,709,104	A *	1/1998	Howcroft	62/457.1
D503,413	S *	3/2005	Diaz	D15/83
7,735,334	B2 *	6/2010	Johnson	62/457.4

* cited by examiner

Primary Examiner — Terry Wallace

(57) **CLAIM**

I claim the ornamental design for a cooler, as shown and described.

DESCRIPTION

FIG. 1 is a top perspective view of the cooler showing my new design.

FIG. 2 is a bottom perspective view.

FIG. 3 is a top perspective view with lid open.

FIG. 4 is a bottom perspective view with the lid open.

FIG. 5 is top view.

FIG. 6 is a bottom view.

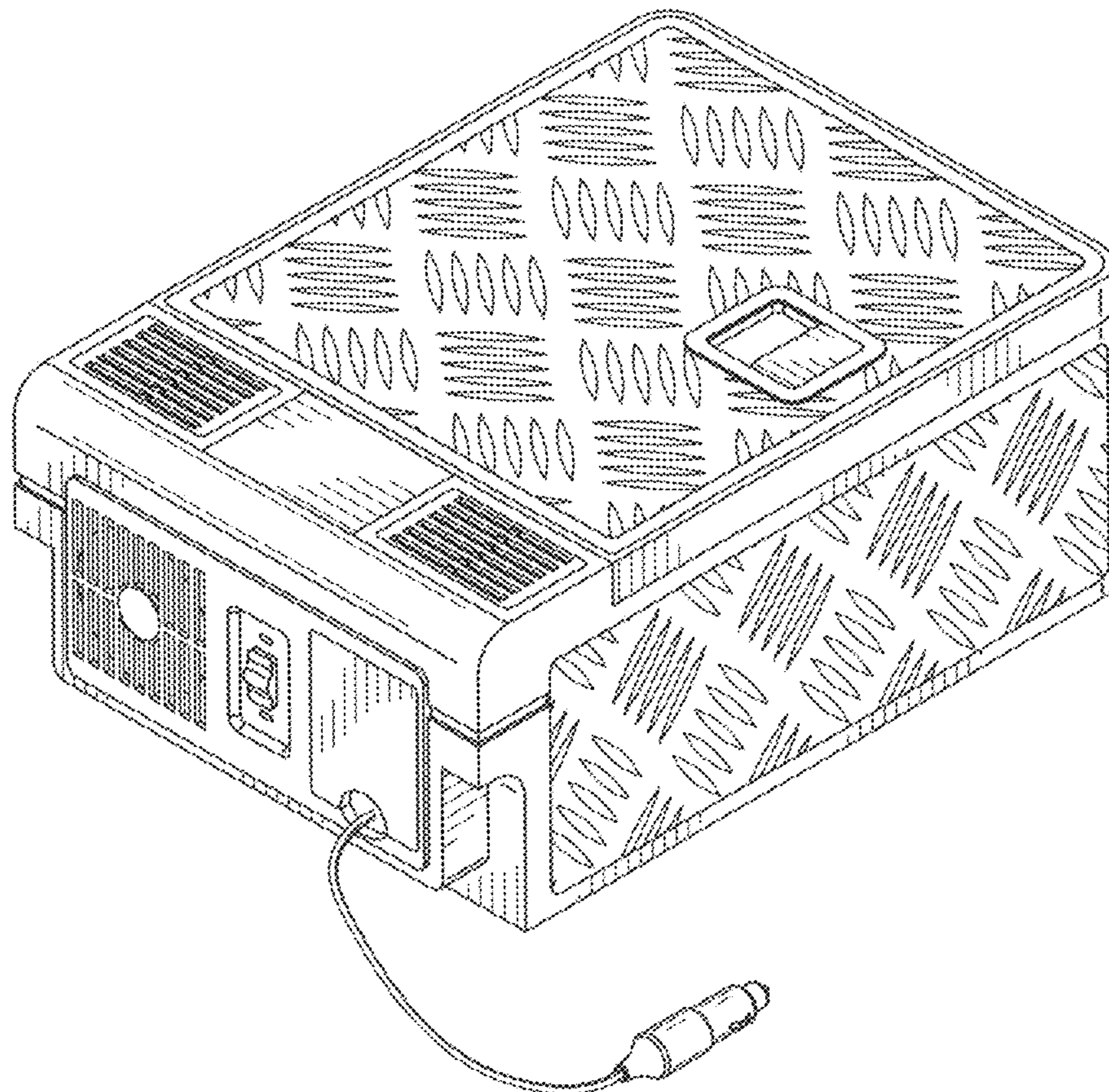
FIG. 7 is a left side view thereof.

FIG. 8 is a right side view thereof.

FIG. 9 is a front view thereof; and,

FIG. 10 is a back view thereof.

1 Claim, 10 Drawing Sheets



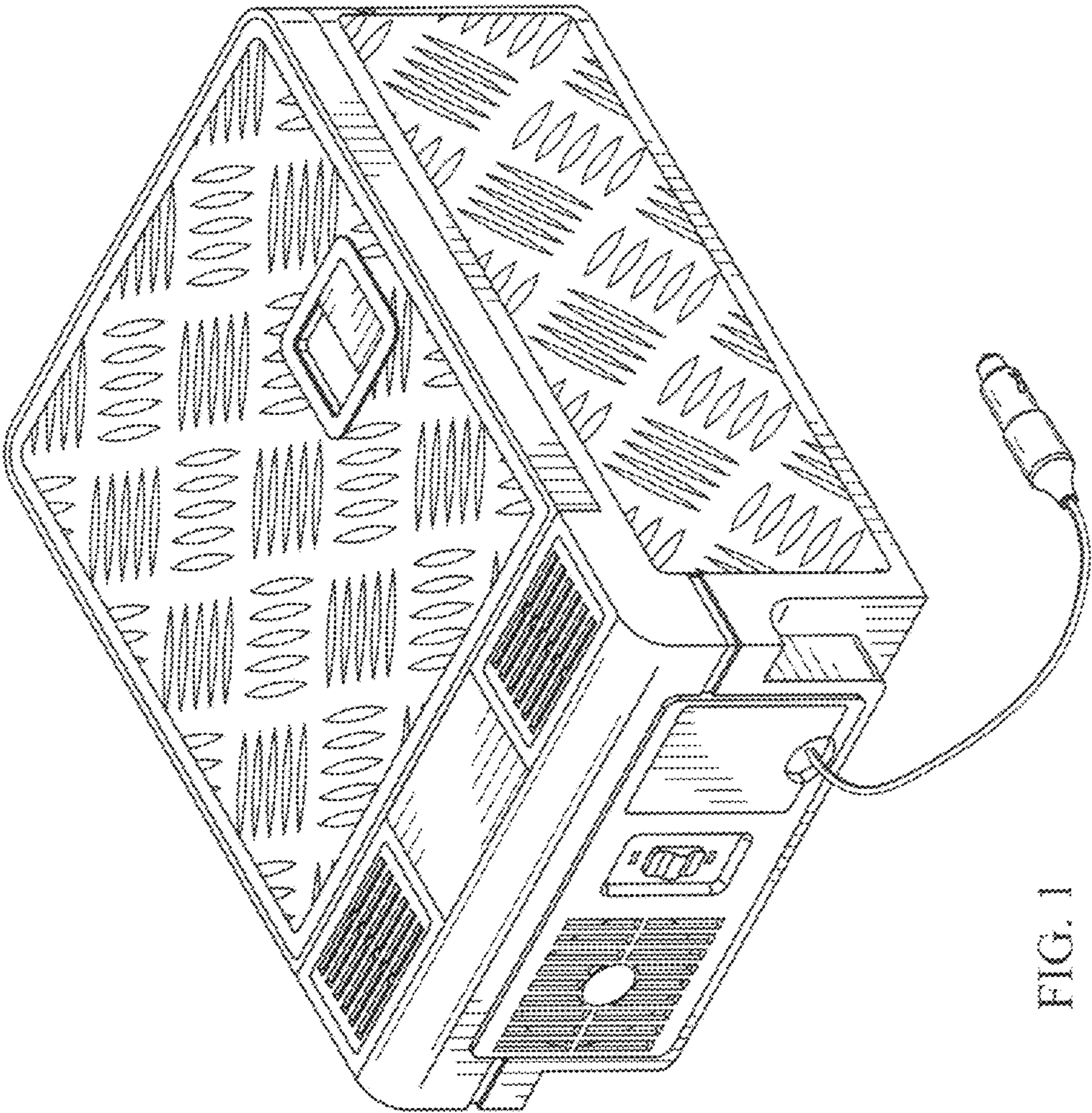


FIG. 1

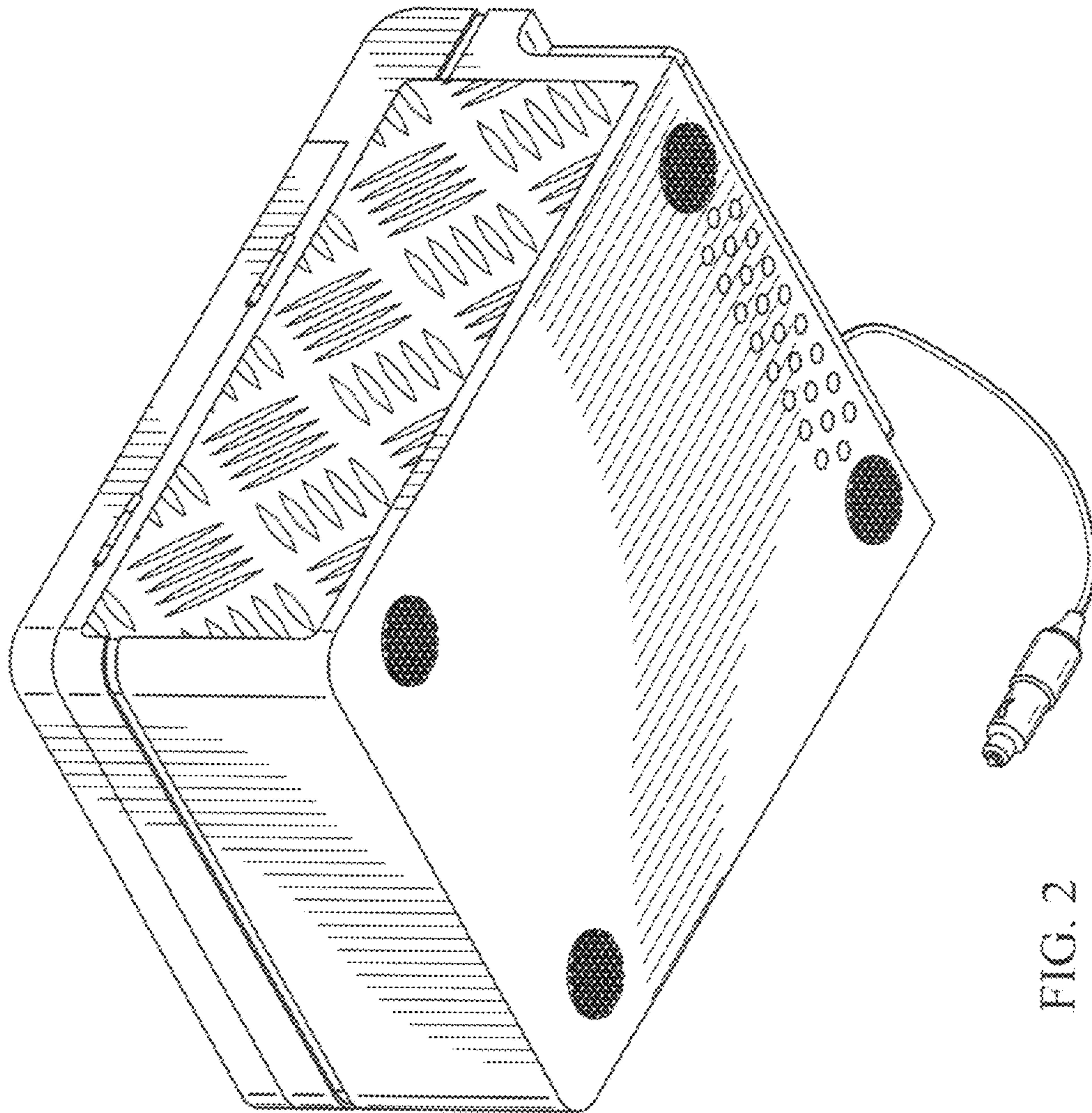


FIG. 2

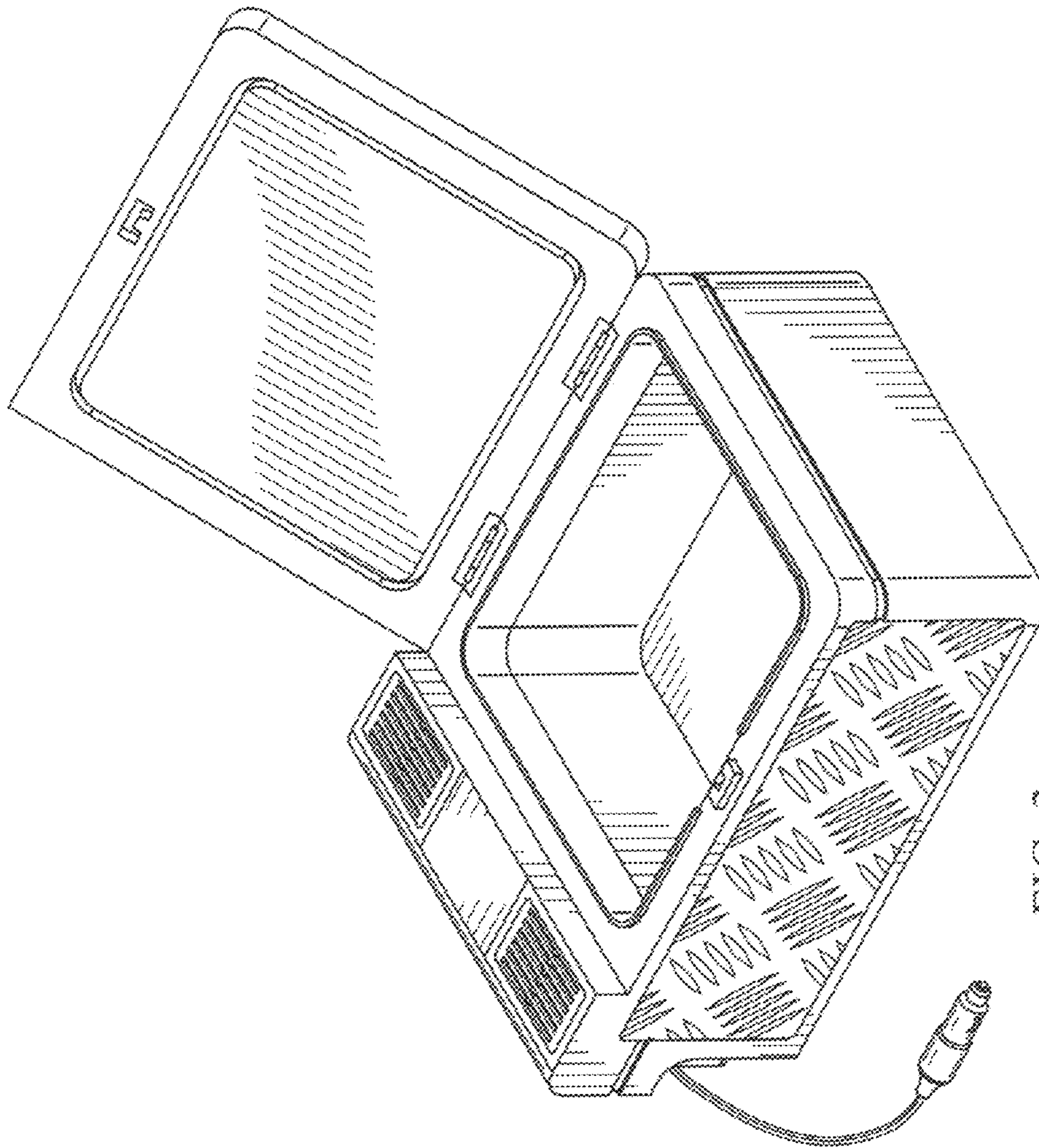


FIG. 3

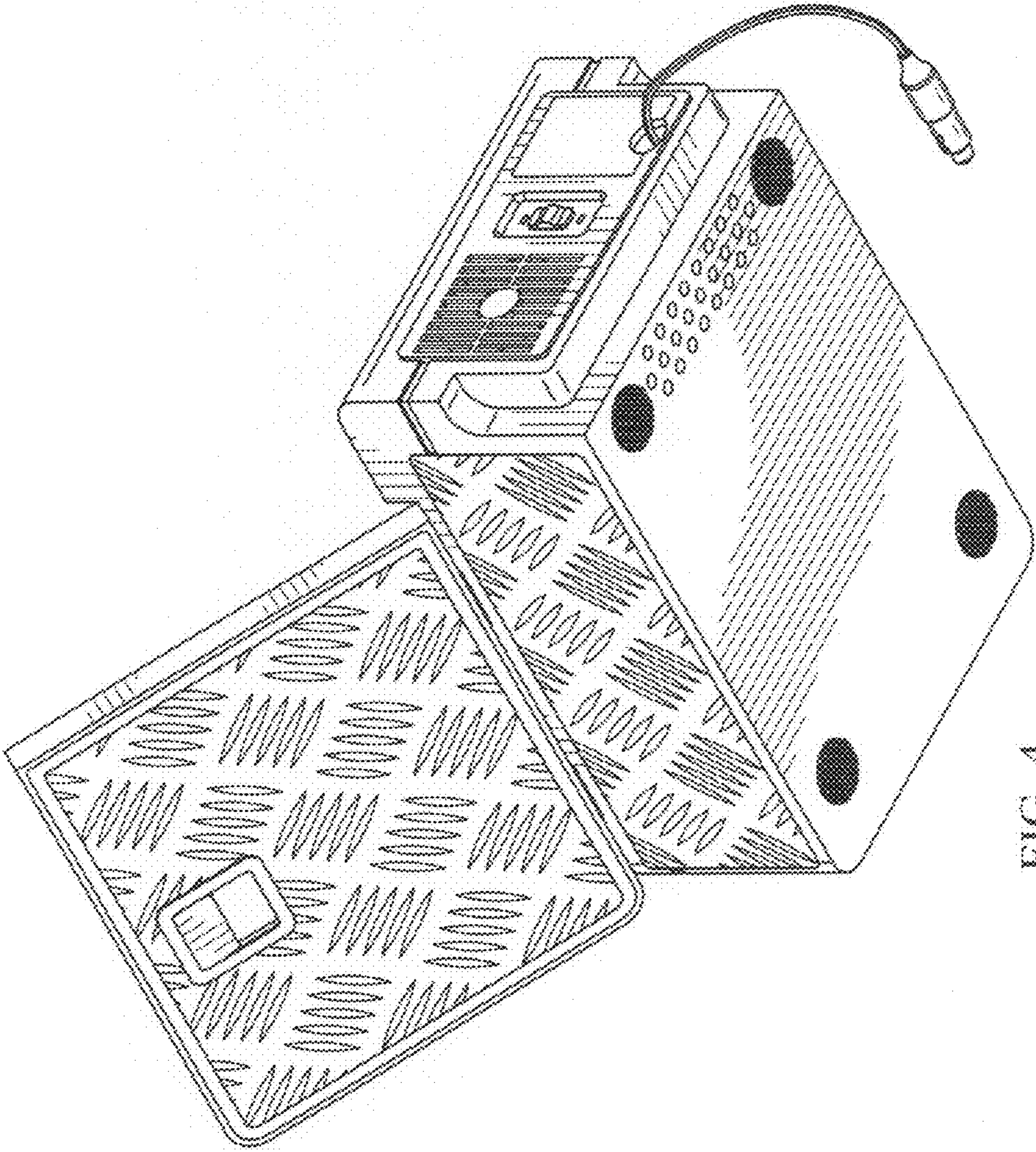


FIG. 4

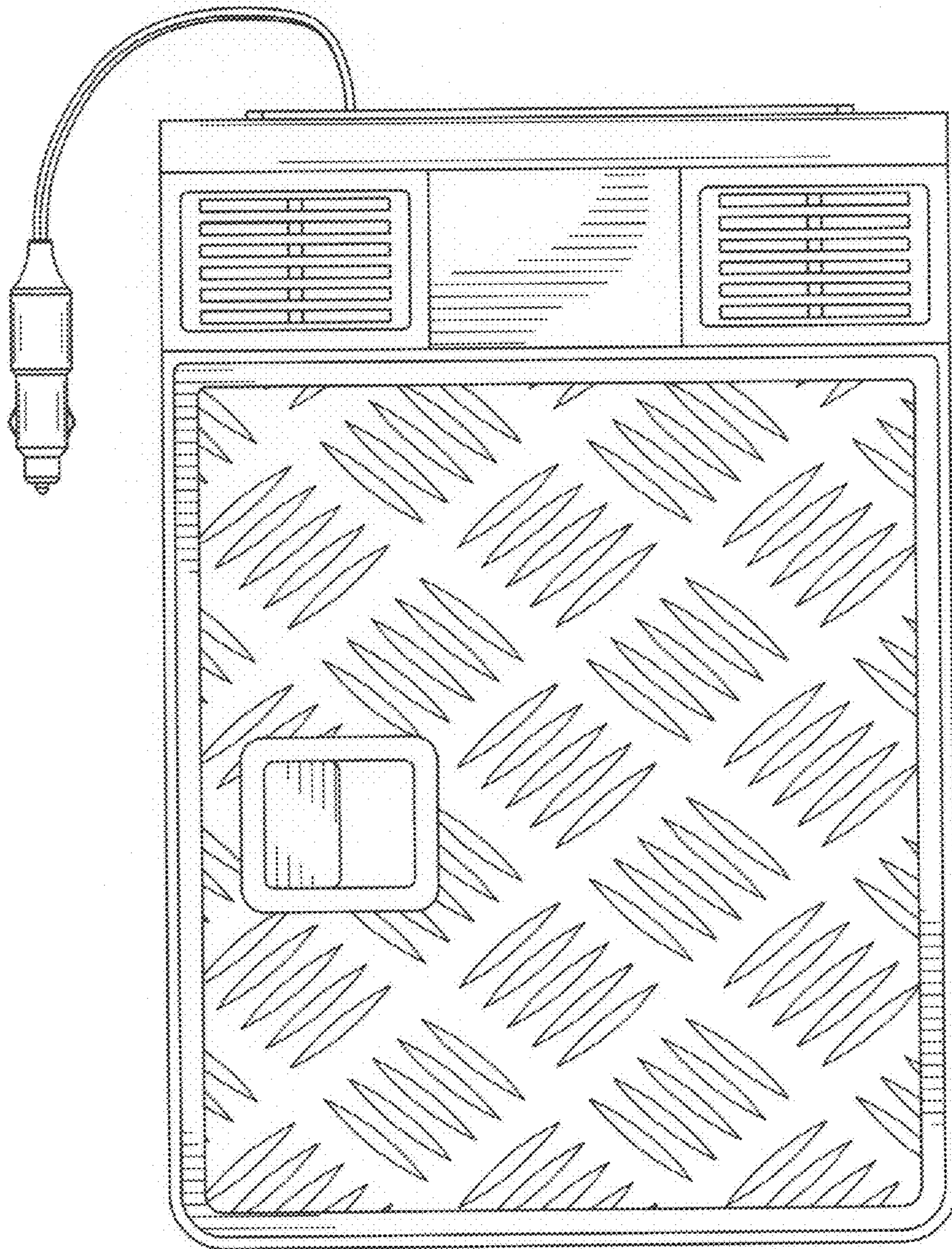


FIG. 5

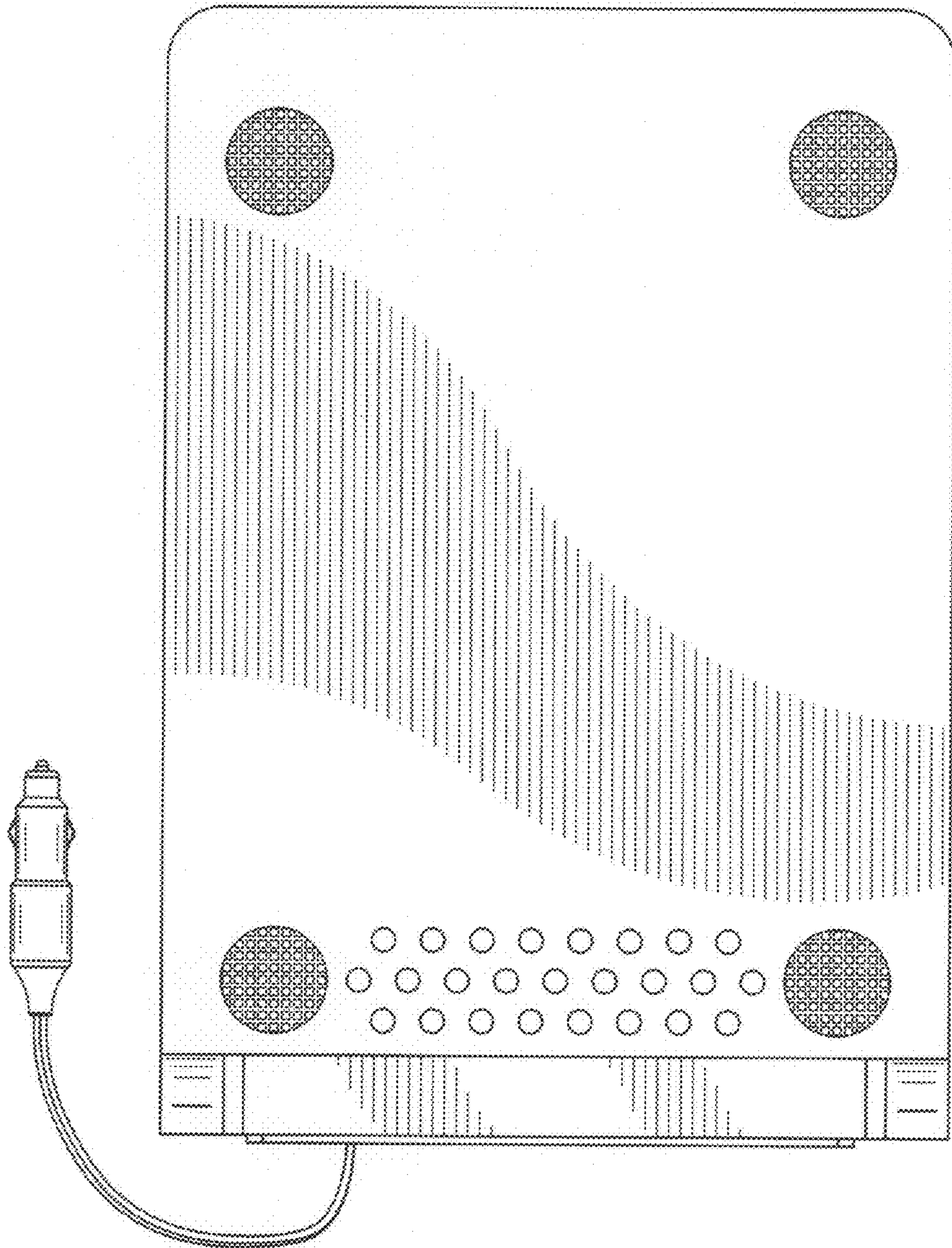


FIG. 6

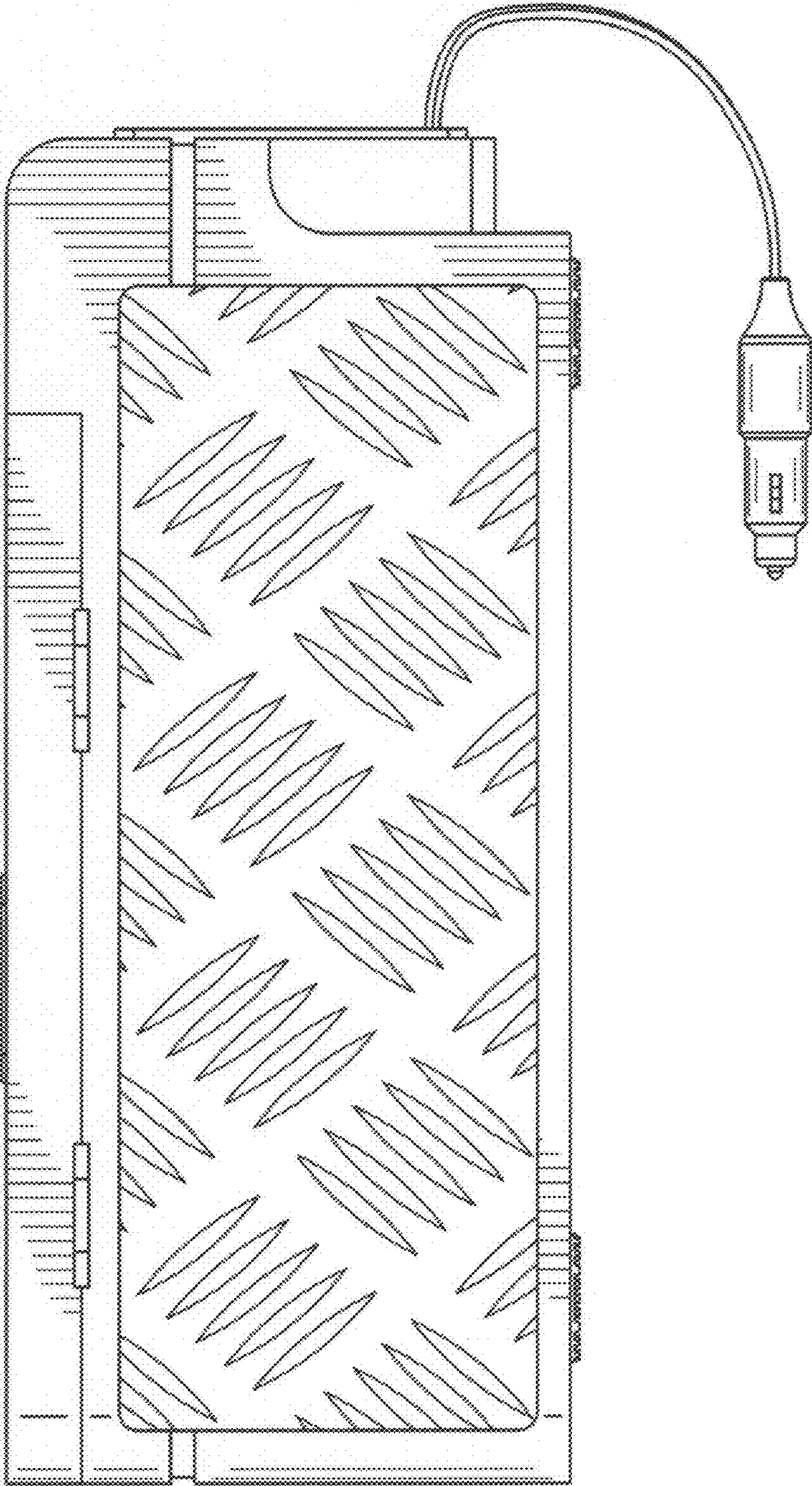


FIG. 7

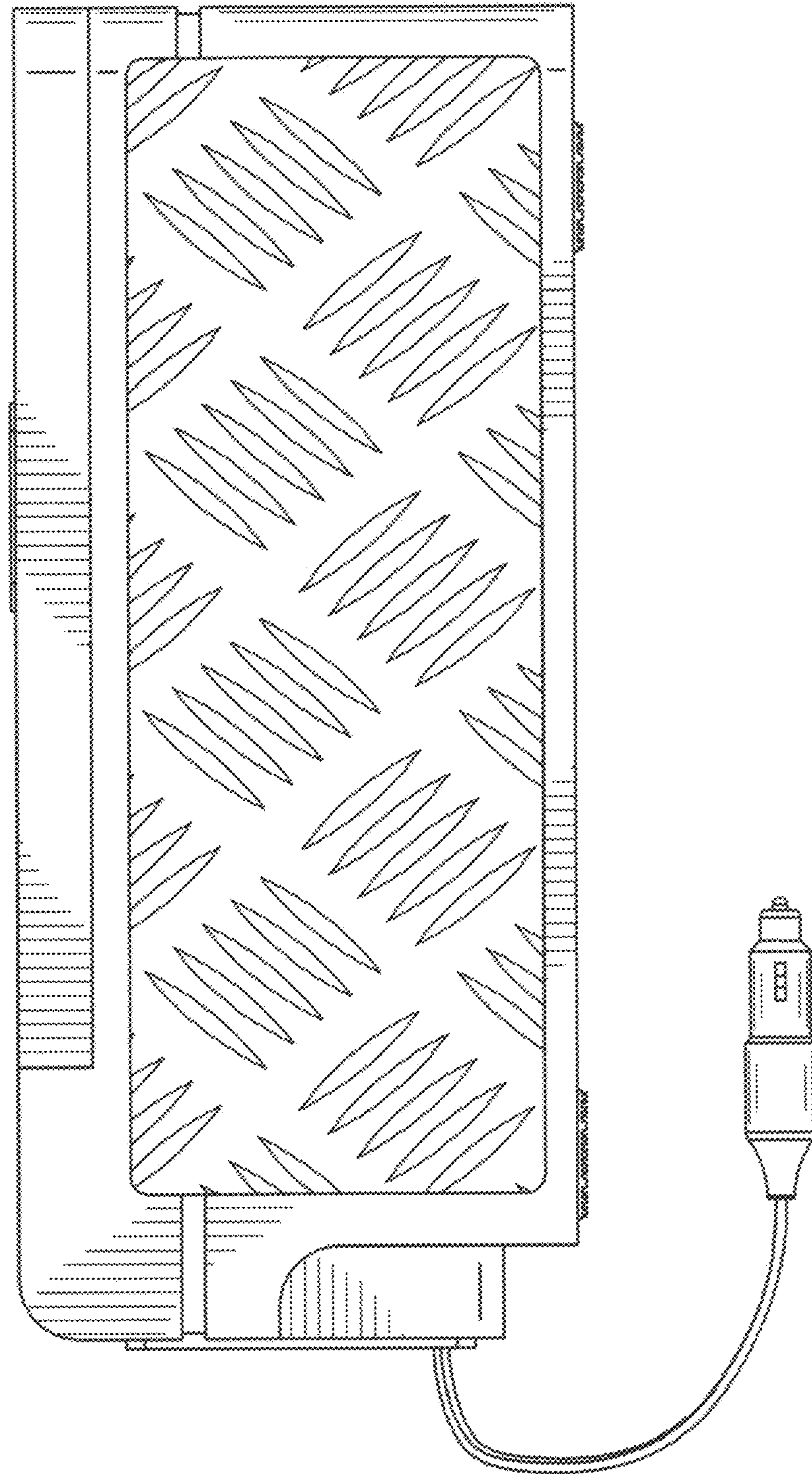


FIG. 8

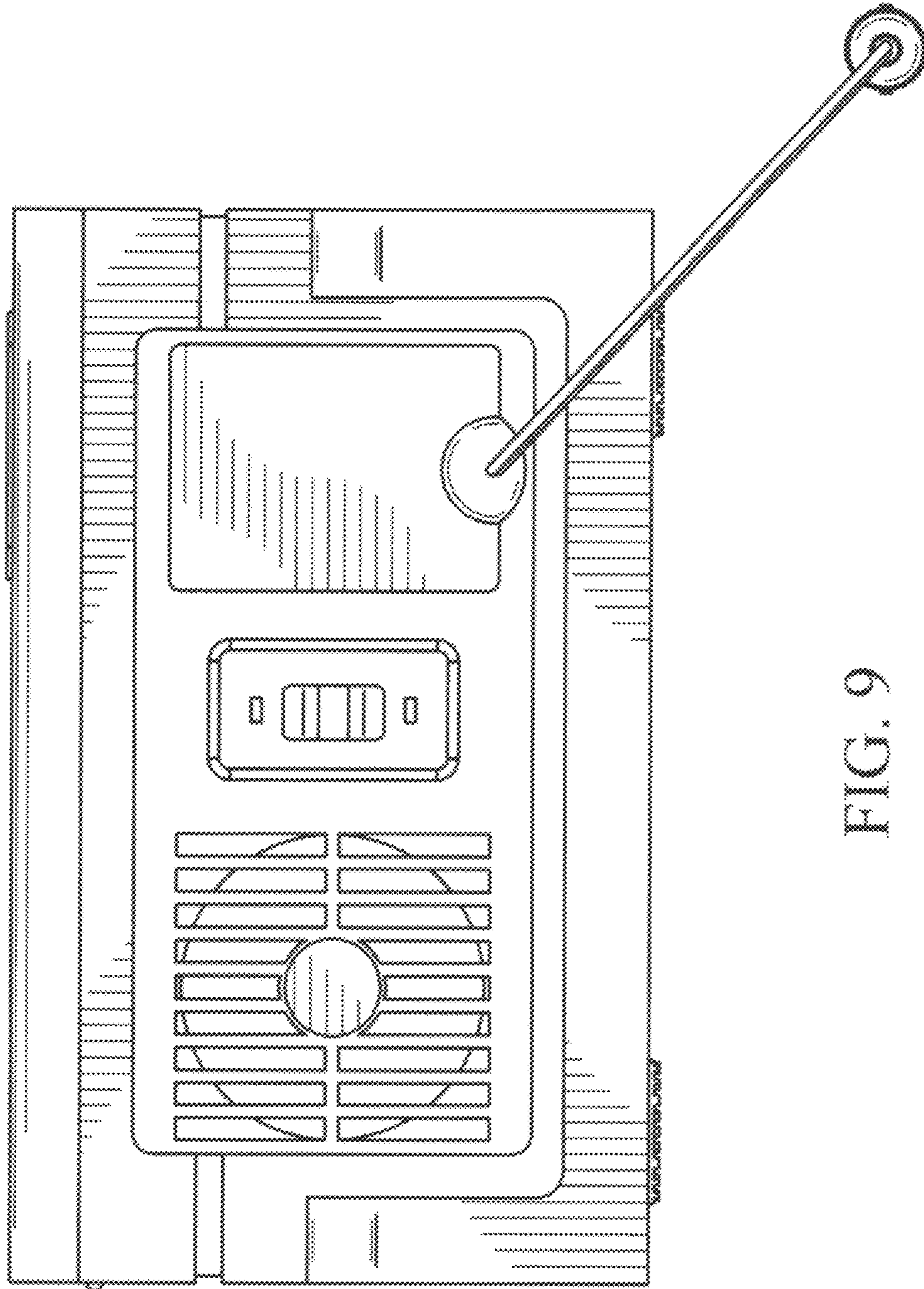


FIG. 9

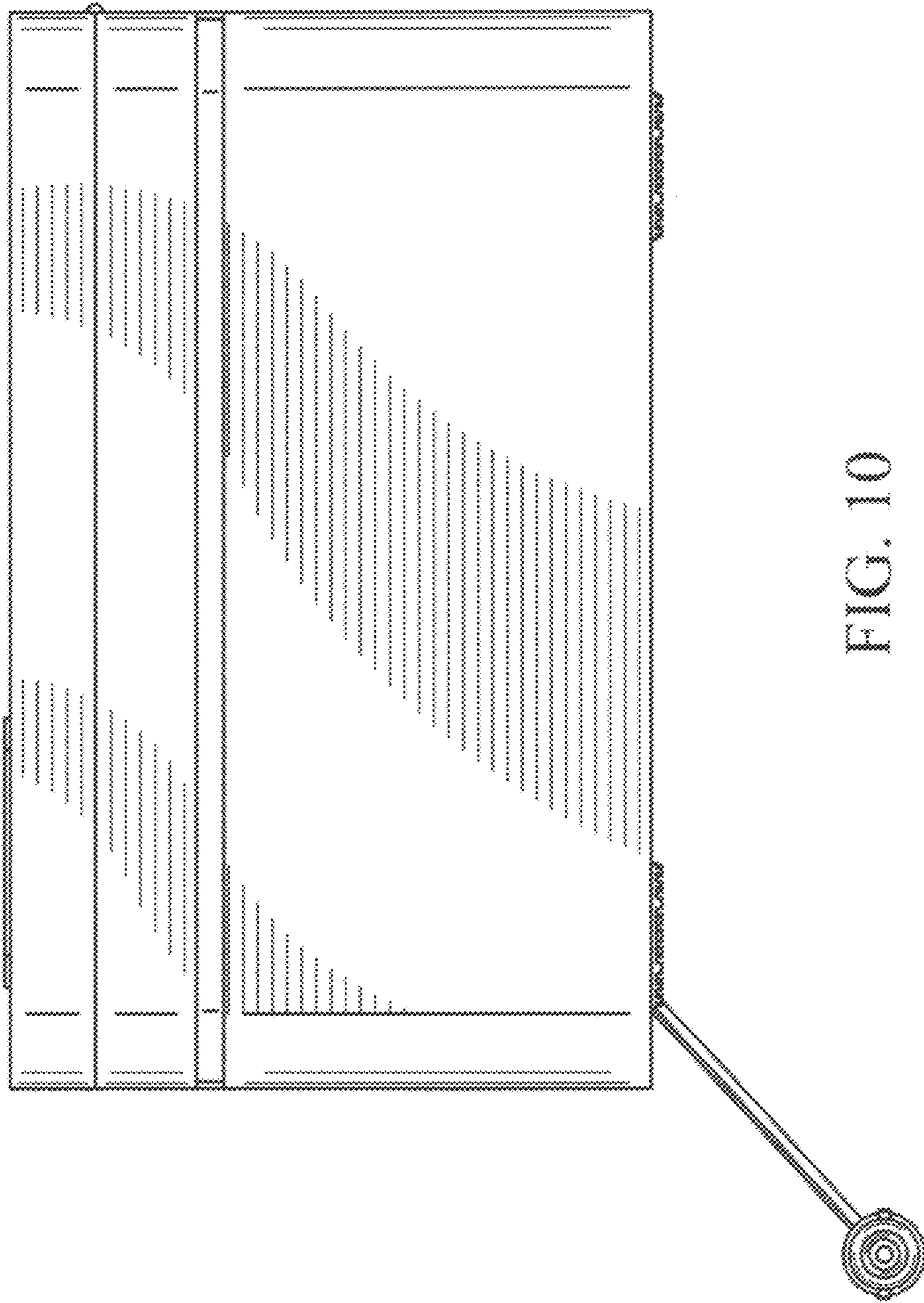


FIG. 10