



US00D673810S

(12) **United States Design Patent**  
**Kawano et al.**

(10) **Patent No.:** **US D673,810 S**  
(45) **Date of Patent:** **\*\* Jan. 8, 2013**

(54) **BREAD CASE FOR BREAD MACHINE**

(75) Inventors: **Kimihiro Kawano**, Osaka (JP);  
**Gen-ichi Hoshino**, Osaka (JP)

(73) Assignee: **Zojirushi Corporation** (JP)

(\*\*) Term: **14 Years**

(21) Appl. No.: **29/404,085**

(22) Filed: **Oct. 14, 2011**

(30) **Foreign Application Priority Data**

May 18, 2011 (JP) ..... 2011-011166

(51) **LOC (9) Cl.** ..... **07-02**

(52) **U.S. Cl.** ..... **D7/402**

(58) **Field of Classification Search** .... D7/350.1-350.4,  
D7/351, 402, 405, 406; 219/756-758, 391;  
126/19 M, 21 A, 275 E; 99/352, 326, 341,  
99/348; 366/98, 197

See application file for complete search history.

(56) **References Cited**

**U.S. PATENT DOCUMENTS**

4,951,559	A *	8/1990	Arao et al.	99/348
4,977,822	A *	12/1990	Seo et al.	99/348
5,463,937	A *	11/1995	Belongia et al.	99/348
5,493,955	A *	2/1996	Belongia et al.	99/348
5,901,637	A *	5/1999	Glucksman et al.	99/326
6,101,928	A *	8/2000	Kakimoto et al.	99/348
D438,756	S *	3/2001	Dornbush et al.	D7/402

2006/0219099	A1 *	10/2006	Pan	99/348
2007/0034091	A1 *	2/2007	Fukumori et al.	99/348
2009/0266242	A1 *	10/2009	Wang	99/348

**FOREIGN PATENT DOCUMENTS**

JP	1403279	12/2010
JP	1403311	12/2010
JP	1403312	12/2010

\* cited by examiner

*Primary Examiner* — Ruth McInroy

(74) *Attorney, Agent, or Firm* — SAIDMAN DesignLaw Group

(57) **CLAIM**

The ornamental design for a bread case for bread machine, as shown and described.

**DESCRIPTION**

FIG. 1 is a perspective view of a bread case for bread machine showing our new design;

FIG. 2 is a cross-sectional view taken along line 2-2 in FIG. 1; FIG. 3 is a front view thereof, the rear view being a mirror image;

FIG. 4 is a left side view thereof, the right side being a mirror image;

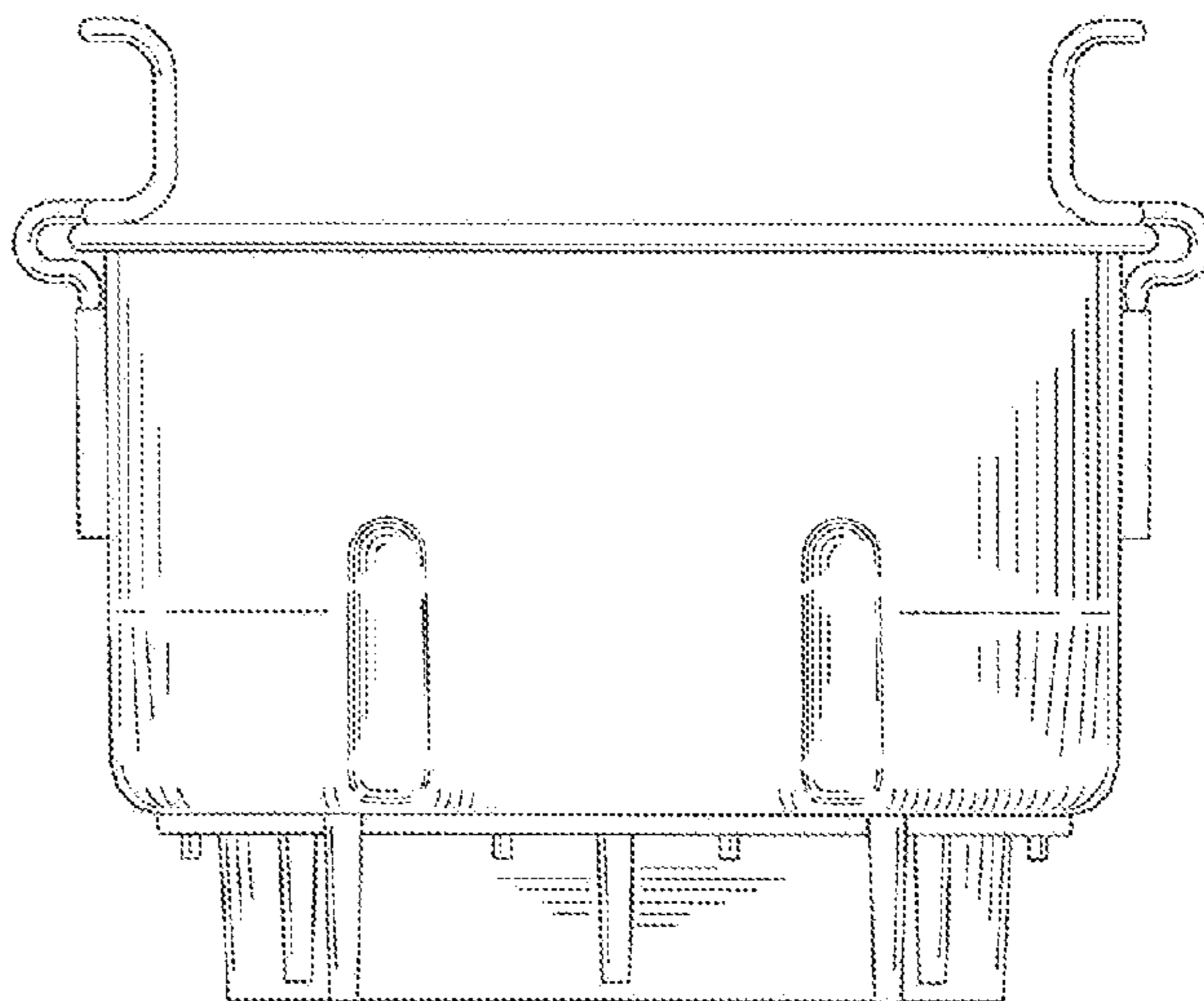
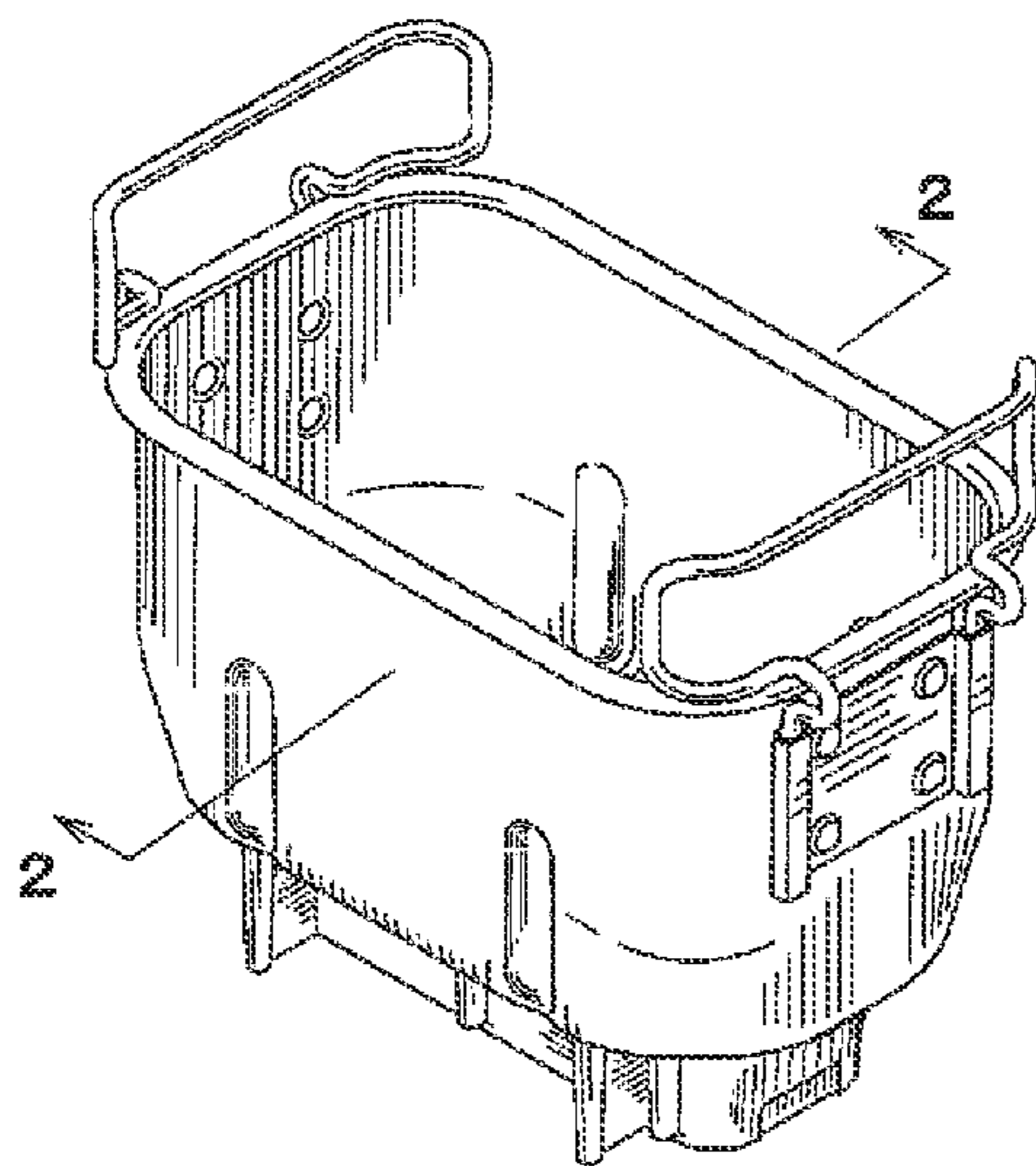
FIG. 5 is a top plan view thereof;

FIG. 6 is a bottom plan view thereof; and,

FIG. 7 is a perspective view thereof, showing the bread case removed from the bread machine.

The broken lines shown in the drawings are for illustrative purposes only and form no part of the claimed design.

**1 Claim, 7 Drawing Sheets**



*Fig. 1*

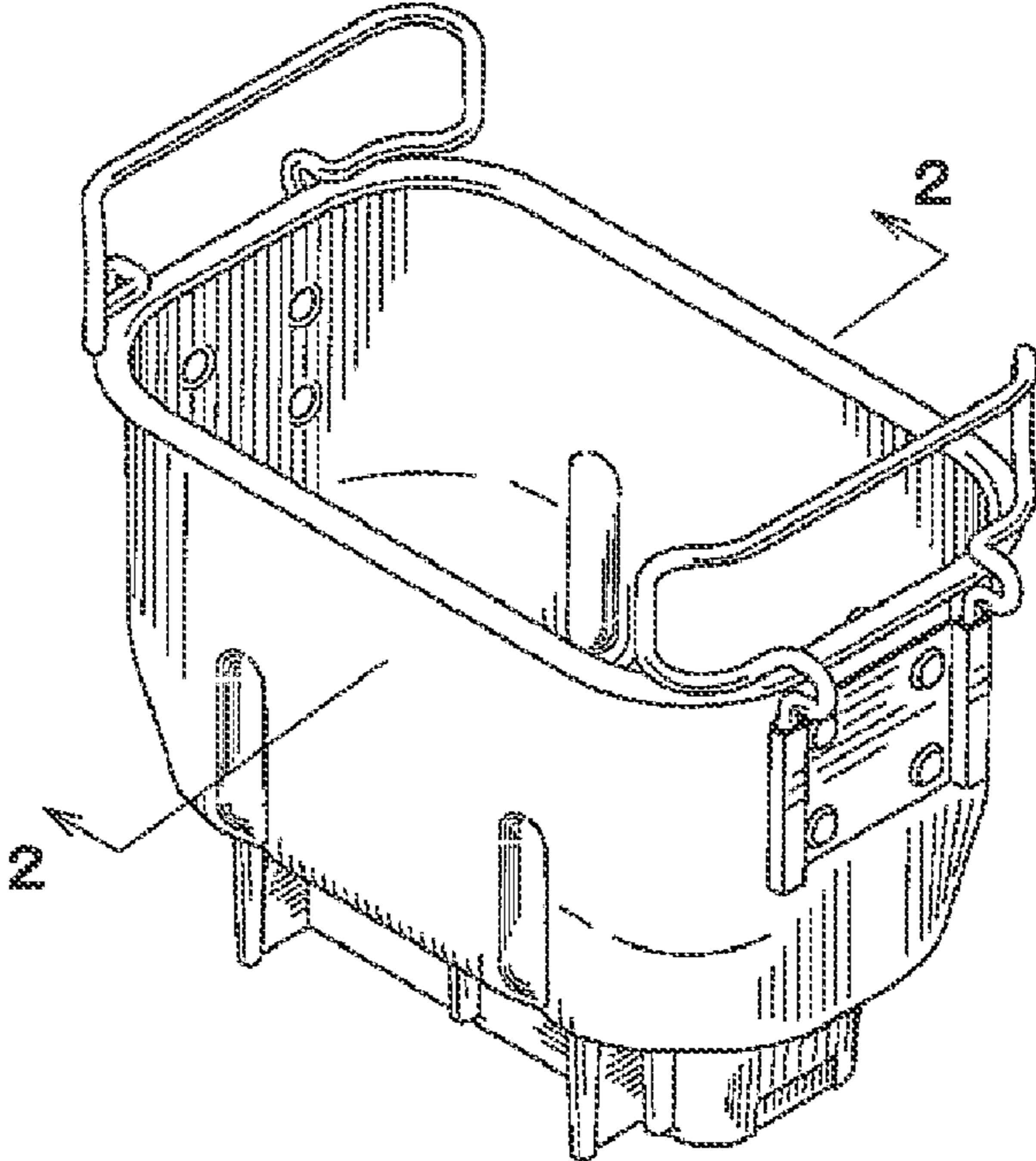
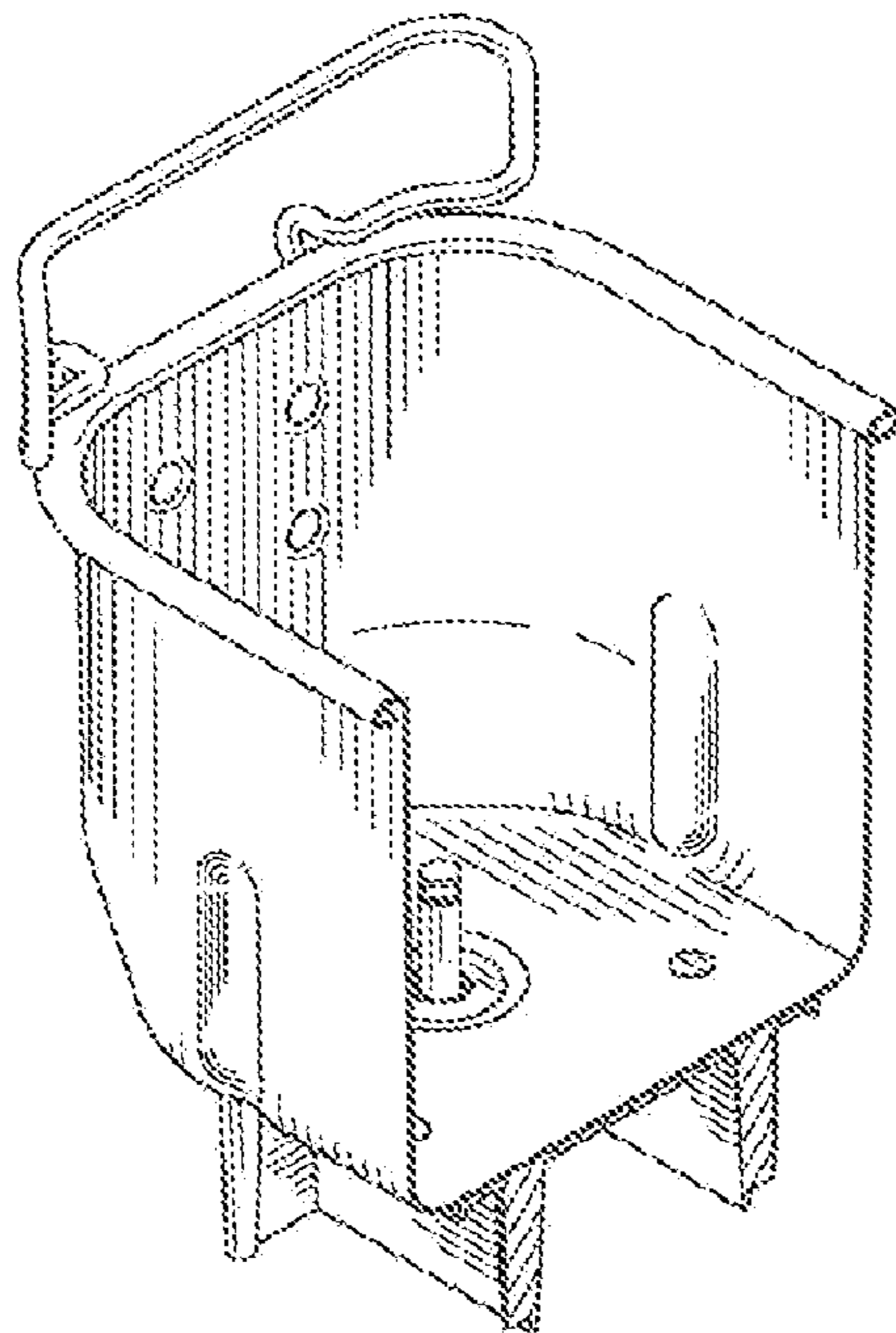
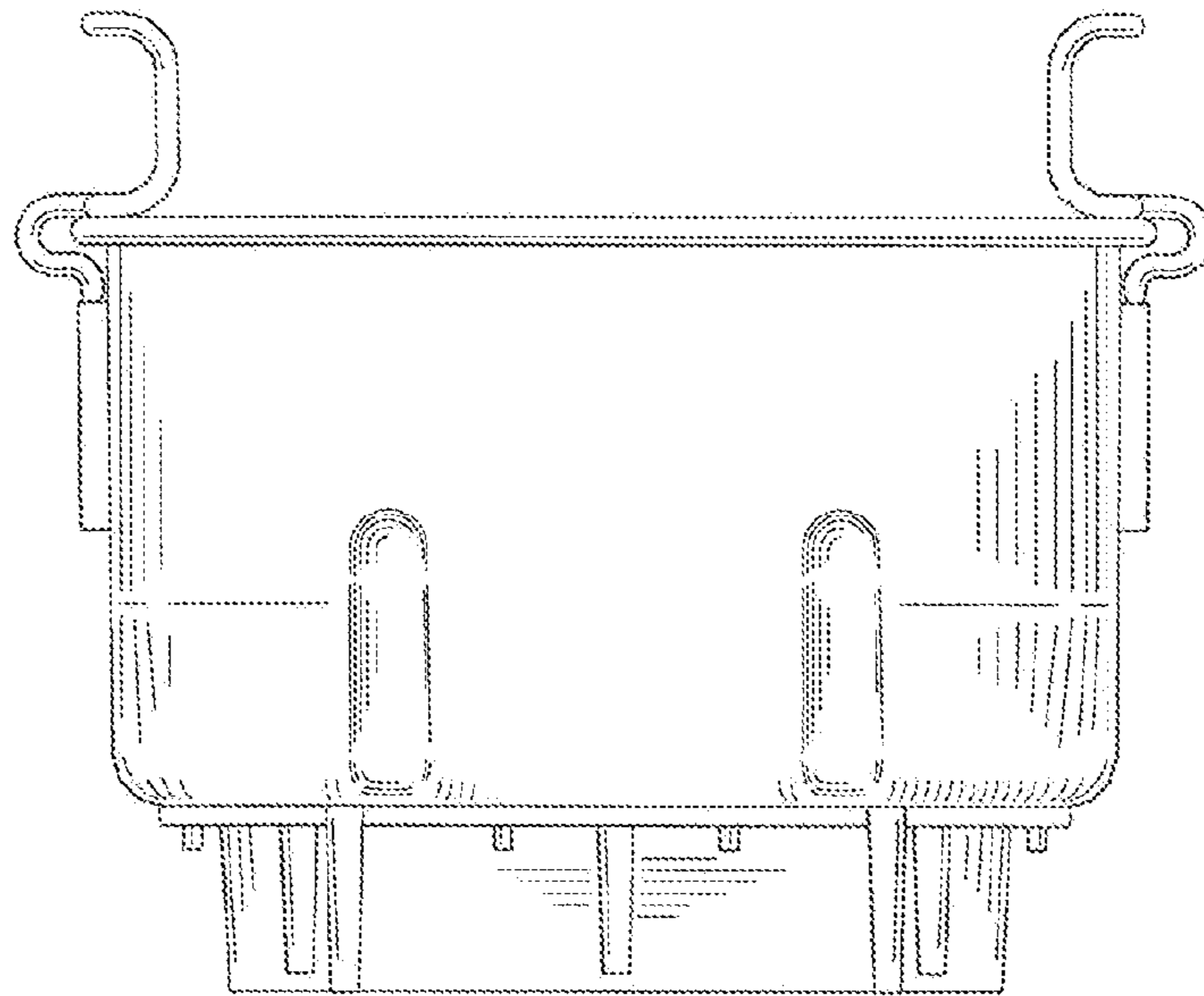


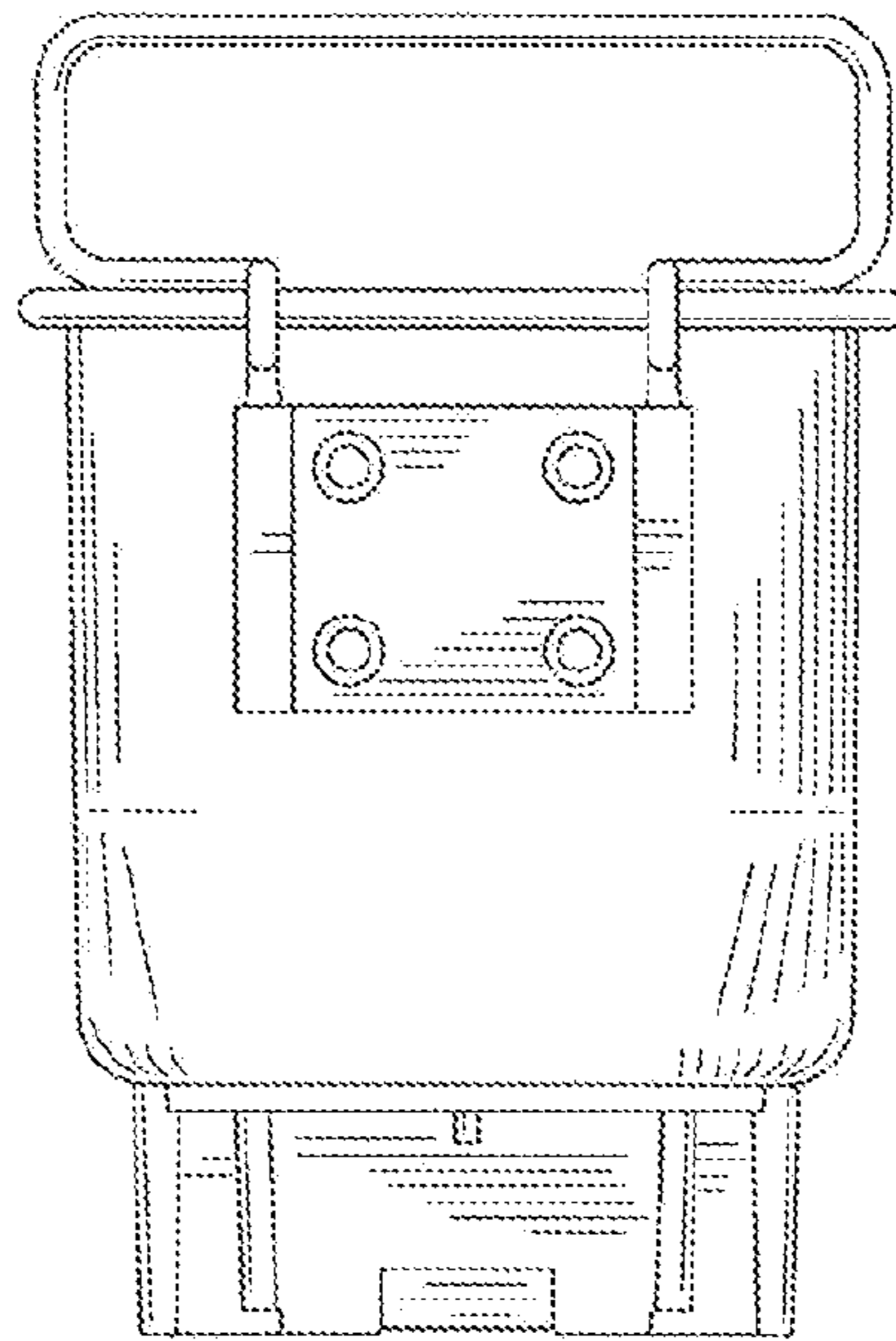
Fig. 2



*Fig. 3*



*Fig. 4*



*Fig. 5*

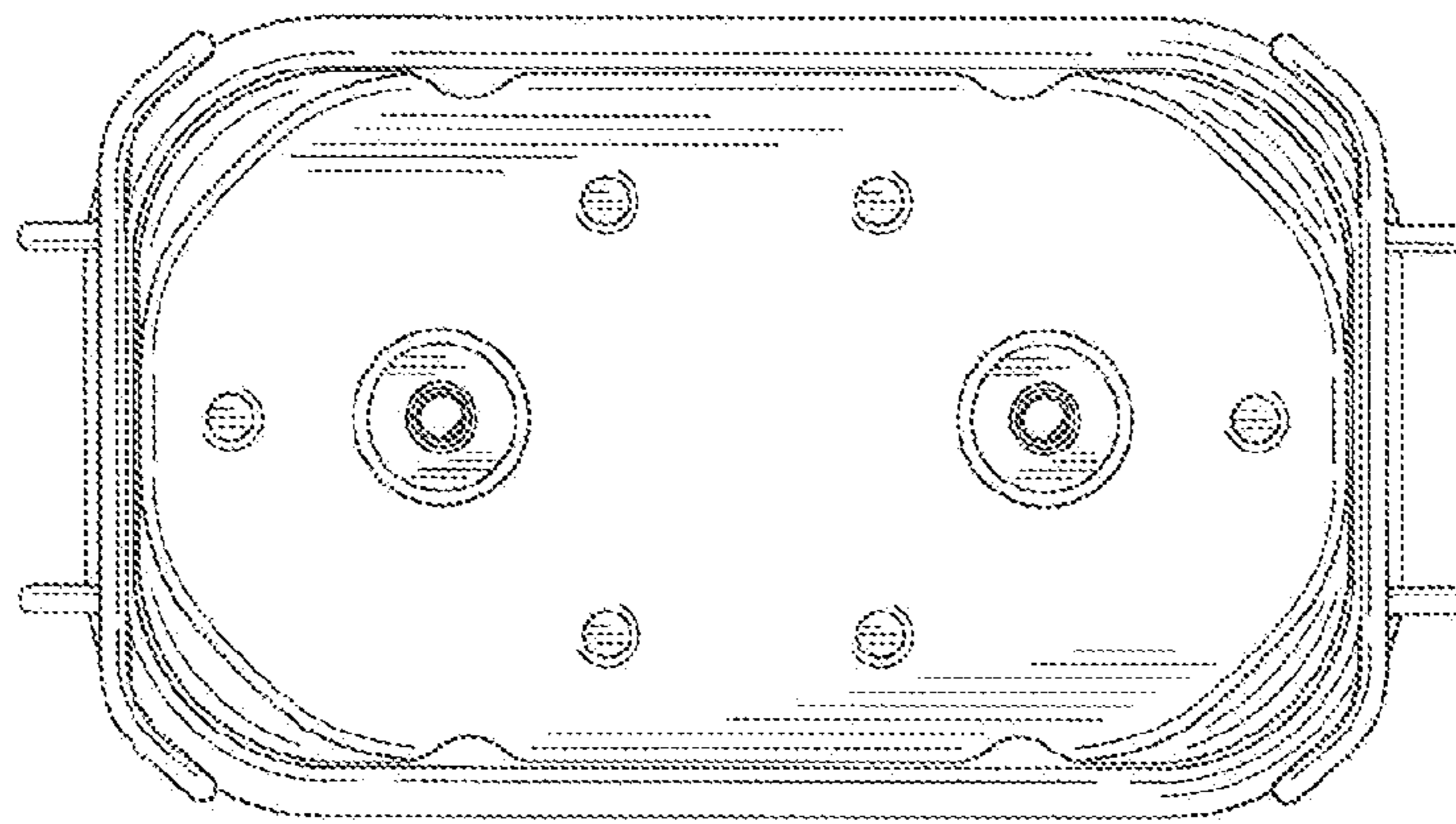
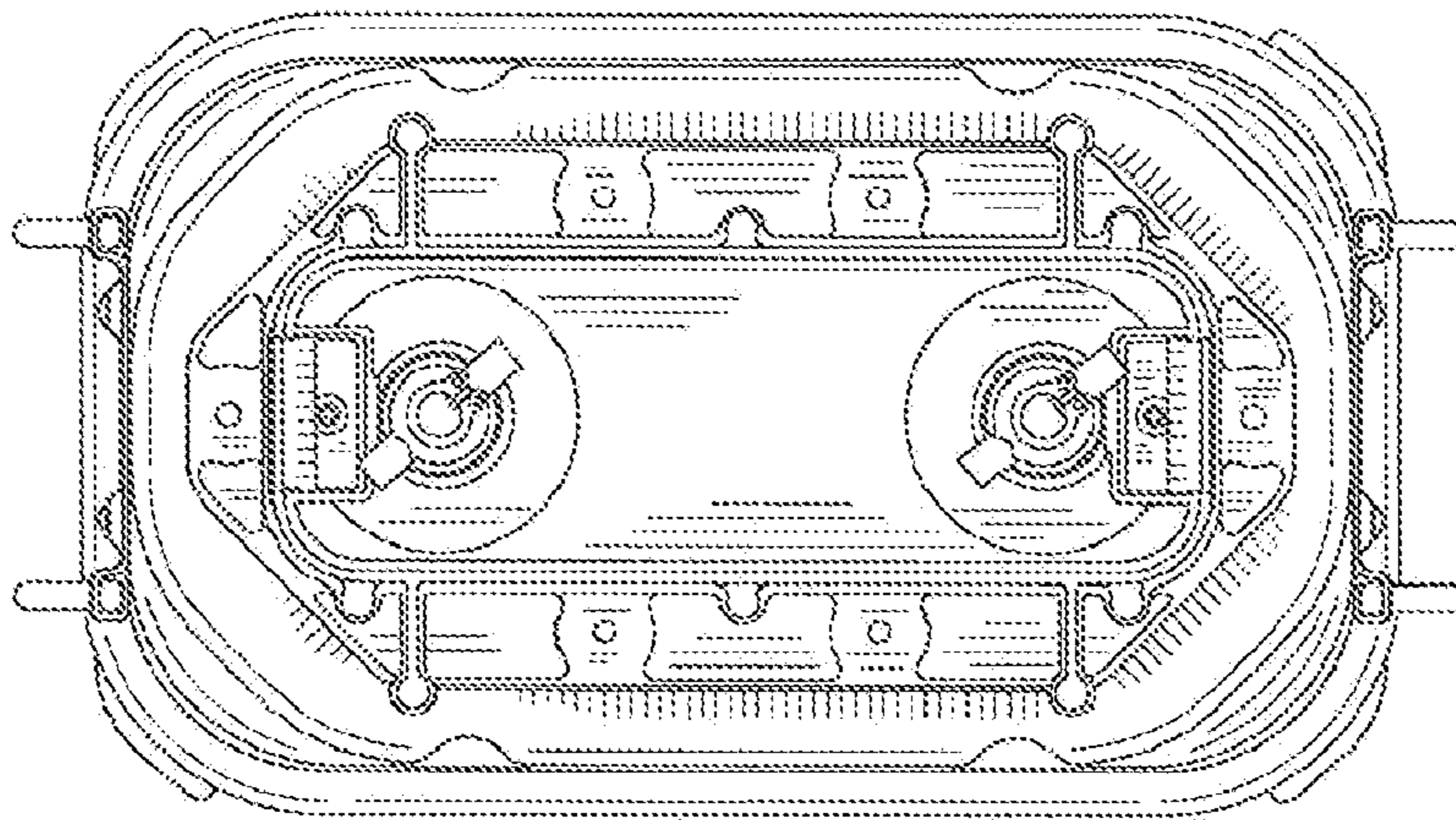


Fig. 6



*Fig. 7*

