



US00D673808S

(12) **United States Design Patent**  
**Grider et al.**

(10) **Patent No.:** **US D673,808 S**  
(45) **Date of Patent:** **\*\* Jan. 8, 2013**

(54) **CONTAINER LID**

(75) Inventors: **Steven Grider**, West Dundee, IL (US);  
**Karl Ludeman**, Chicago, IL (US);  
**Tania Aldous**, Chicago, IL (US); **Dan Streng**, Elmwood Park, IL (US)

(73) Assignee: **WKI Holding Company, Inc.**,  
Rosemont, IL (US)

(\*\*) Term: **14 Years**

(21) Appl. No.: **29/415,472**

(22) Filed: **Mar. 10, 2012**

(51) **LOC (9) Cl.** ..... **07-02**

(52) **U.S. Cl.** ..... **D7/391**

(58) **Field of Classification Search** ..... D3/302;  
D6/515; D7/323, 329-332, 337-339, 346-347,  
D7/350.1-350.4, 353-367, 391-395, 396.2,  
D7/402-406, 538, 542-543; D9/422, 435,  
D9/447-449; 53/412; 99/324-325, 330-332,  
99/337-340, 369, 400-418, 422, 425, 444,  
99/483; 126/37 R, 41 R, 261, 378.1; 206/15.2,  
206/501-505, 507-508; 219/387, 400, 405,  
219/429-442, 452.11, 620-624, 725, 730-735;  
220/254.9, 270, 315, 573.1-573.5, 785, 912;  
426/438, 441

See application file for complete search history.

(56) **References Cited**

**U.S. PATENT DOCUMENTS**

498,020 A 5/1893 Murray  
(Continued)

**FOREIGN PATENT DOCUMENTS**

EP 0112295 A2 6/1984  
(Continued)

*Primary Examiner* — Ricky Pham

(74) *Attorney, Agent, or Firm* — McDermott Will & Emery  
LLP

(57) **CLAIM**

We claim the ornamental design for a container lid, as shown  
and described.

**DESCRIPTION**

FIG. 1 is a top perspective view of a container lid according to  
the present invention.

FIG. 2 is a top plan view of the container lid of FIG. 1.

FIG. 3 is a left side elevation view of the container lid of FIG.  
1.

FIG. 4 is a right side elevation view of the container lid of FIG.  
1.

FIG. 5 is a front end elevation view of the container lid of FIG.  
1.

FIG. 6 is a rear end elevation view of the container lid of FIG.  
1.

FIG. 7 is a bottom plan view of the container lid of FIG. 1.

FIG. 8 is a bottom perspective view of the container lid of  
FIG. 1.

FIG. 9 is a top perspective view of another embodiment of the  
container lid according to the present invention.

FIG. 10 is a top plan view of the container lid of FIG. 9.

FIG. 11 is a left side elevation view of the container lid of FIG.  
9.

FIG. 12 is a right side elevation view of the container lid of  
FIG. 9.

FIG. 13 is a front end elevation view of the container lid of  
FIG. 9.

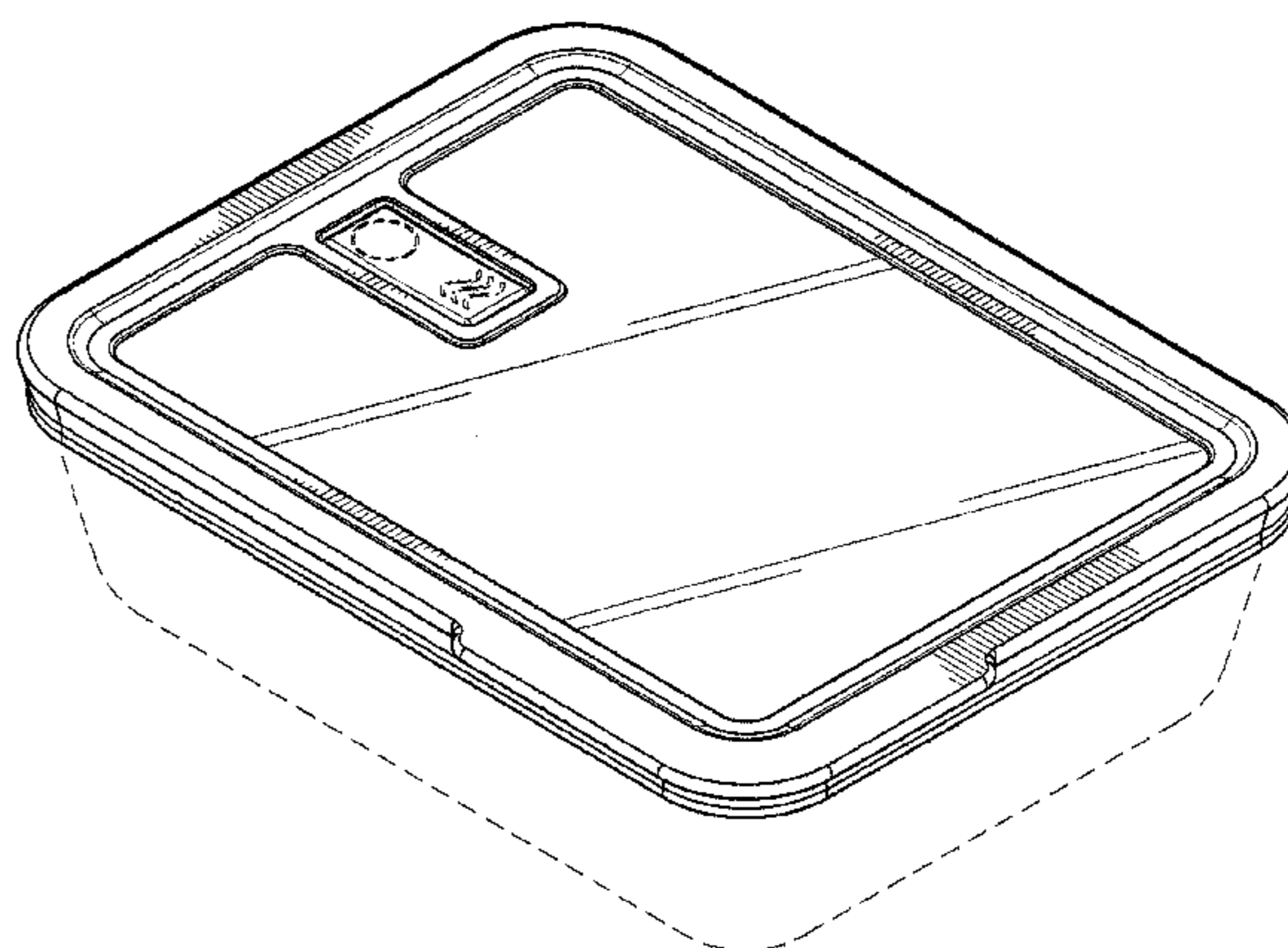
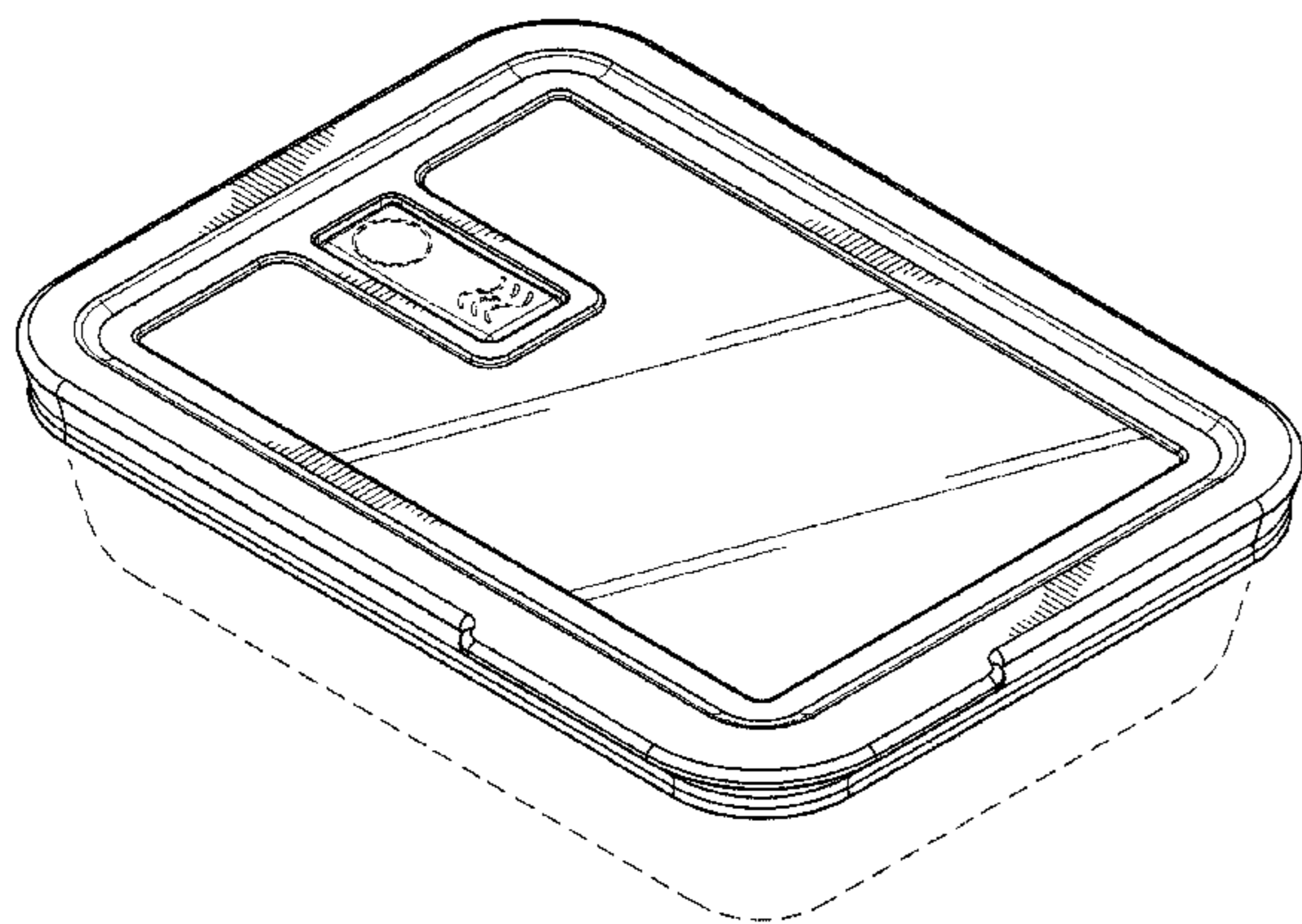
FIG. 14 is a rear end elevation view of the container lid of FIG.  
9.

FIG. 15 is a bottom plan view of the container lid of FIG. 9;  
and,

FIG. 16 is a bottom perspective view of the container lid of  
FIG. 9.

The broken lines form no part of the claimed design.

**1 Claim, 6 Drawing Sheets**



# US D673,808 S

U.S. PATENT DOCUMENTS					
771,960	A	10/1904 Adams	D415,652	S	10/1999 Loew et al.
1,369,969	A	3/1921 Fairbanks et al.	5,974,686	A	11/1999 Nomura et al.
1,622,658	A	3/1927 McBurney	D417,367	S	12/1999 Laib
2,047,720	A	7/1936 Wilhelm	D417,817	S	12/1999 Loew et al.
2,069,125	A	11/1936 Antrim	D418,017	S	12/1999 Henry
2,234,485	A	3/1941 Connor	6,035,769	A	3/2000 Nomura et al.
2,259,770	A	10/1941 Nove	6,053,474	A	4/2000 Stucke, Jr. et al.
2,604,976	A	7/1952 Sarg	D429,961	S	8/2000 Harris
2,626,726	A	1/1953 Burkhardt	6,105,810	A	8/2000 Daenen et al.
2,705,657	A	4/1955 DiGiorgio	6,116,151	A	9/2000 Fickert et al.
2,808,175	A	10/1957 Aiken	D431,419	S	10/2000 Greene
2,898,003	A	8/1959 Wilson et al.	D435,447	S	12/2000 Lee
D192,257	S	2/1962 Ebstein	D440,470	S	4/2001 Tucker et al.
3,081,394	A	3/1963 Arel et al.	D441,598	S	5/2001 Wyche
3,185,371	A	5/1965 Reifers	D442,425	S	5/2001 Wyche
3,273,743	A	9/1966 McColl	6,234,067	B1	5/2001 Schmidt
3,391,847	A	7/1968 Christine et al.	D443,184	S	6/2001 Maxwell et al.
3,391,852	A	7/1968 Waldrop	D443,798	S	6/2001 Tucker et al.
D218,347	S	8/1970 Aubecq	D445,631	S	7/2001 Elorza
3,632,014	A	1/1972 Basile	D445,633	S	7/2001 Bradley
3,688,942	A	9/1972 Mitchell et al.	D445,641	S	7/2001 Conti
3,850,331	A	11/1974 Oxel	D445,649	S	7/2001 Maxwell et al.
D234,026	S	12/1974 Winter	D445,673	S	7/2001 Richardson
3,964,670	A	6/1976 Amneus	D445,674	S	7/2001 Pritchett
4,005,798	A	2/1977 Minsky	D445,687	S	7/2001 Gilbertson
4,020,969	A	5/1977 Ando	6,261,616	B1	7/2001 Simpson et al.
4,078,696	A	3/1978 Crisci	D446,085	S	8/2001 Dretzka
4,185,752	A	1/1980 Basile	D446,117	S	8/2001 Conti
4,209,126	A	6/1980 Elias	D448,606	S	10/2001 Conti
D256,759	S	9/1980 Johnson	D448,965	S	10/2001 Jang-Won
D258,038	S	1/1981 Johnson	D448,969	S	10/2001 Conti
D258,350	S	2/1981 Scott et al.	D450,537	S	11/2001 Hayes
D259,103	S	5/1981 Scott et al.	D452,374	S	12/2001 Kim
D261,620	S	11/1981 Scott et al.	D455,321	S	4/2002 Jung et al.
4,329,919	A	5/1982 Andersen	6,364,152	B1	4/2002 Poslinski et al.
D265,798	S	8/1982 Ossola	6,415,945	B1	7/2002 Zank et al.
4,466,552	A	8/1984 Butterworth et al.	6,415,947	B1	7/2002 Kim
D276,218	S	11/1984 Baldwin et al.	D461,678	S	8/2002 Hayes
D280,969	S	10/1985 Schrage	6,460,720	B1	10/2002 Massey et al.
D282,616	S	2/1986 Gallagher et al.	D465,969	S	11/2002 Morin
4,607,768	A	8/1986 Taber et al.	6,474,490	B1	11/2002 Seibel et al.
D287,559	S	1/1987 Daenen et al.	6,494,338	B1	12/2002 Schultz
D289,844	S	5/1987 Daenen et al.	D468,154	S *	1/2003 Klock et al. .... D7/392.1
D290,346	S	6/1987 Siegel	D469,011	S *	1/2003 Miller ..... D3/302
D296,525	S	7/1988 Siegel	D470,005	S	2/2003 Cooper et al.
4,863,036	A	9/1989 Heijenga	6,557,720	B2	5/2003 Tosdale et al.
4,976,370	A	12/1990 Cassel	6,568,534	B2	5/2003 Zank
4,981,229	A	1/1991 Lanham	D475,246	S	6/2003 Jørgensen
5,002,189	A	3/1991 Sahi	D475,573	S	6/2003 Jalet et al.
5,007,231	A *	4/1991 Ingemann ..... 53/412	6,581,795	B1	6/2003 Schulein et al.
5,065,885	A	11/1991 Scaroni	6,581,939	B1	6/2003 Theros et al.
D327,201	S	6/1992 Gecchelin	D477,187	S	7/2003 McCallister et al.
D334,499	S *	4/1993 Meisner et al. .... D6/515	D478,469	S	8/2003 Roth et al.
5,337,913	A	8/1994 Fukuda	D479,673	S	9/2003 Kim
5,363,978	A	11/1994 Molo	D479,954	S	9/2003 Kim
5,405,038	A	4/1995 Chuang	D480,277	S	10/2003 Claypool
5,423,451	A	6/1995 Snyder	D481,910	S	11/2003 Kim
5,427,266	A	6/1995 Yun	D483,618	S	12/2003 Watson
D361,470	S	8/1995 Arbuties	D483,622	S	12/2003 Kim
D365,251	S	12/1995 Lo	D484,367	S	12/2003 Kim
5,553,701	A *	9/1996 Jarecki et al. .... 206/15.2	D484,745	S	1/2004 Watson
5,579,961	A	12/1996 Zimmerman	6,685,046	B2	2/2004 Ogino
5,641,065	A	6/1997 Owens et al.	6,698,336	B1	3/2004 Siegel et al.
D381,553	S	7/1997 Candianides	D488,031	S	4/2004 Kim
D386,685	S	11/1997 Miller	D490,277	S	5/2004 Kim
5,688,544	A	11/1997 Bolton et al.	D490,643	S	6/2004 Groll
D389,012	S	1/1998 Miller	D493,073	S	7/2004 Kim
5,704,485	A	1/1998 Cautereels et al.	D496,560	S	9/2004 Lerner
5,709,318	A	1/1998 Oder	6,793,096	B1	9/2004 Seok
5,762,228	A	6/1998 Morgan et al.	D498,389	S	11/2004 Tollman
5,785,201	A	7/1998 Bordner et al.	6,824,004	B1	11/2004 Wooderson
5,806,703	A	9/1998 Grandi	D499,931	S	12/2004 Kim
D401,468	S	11/1998 Knoll et al.	D500,227	S	12/2004 Seok
D407,640	S	4/1999 Nelson et al.	D501,764	S	2/2005 Lerner
5,893,477	A	4/1999 Kaneko et al.	6,877,633	B2	4/2005 Niese
5,921,432	A	7/1999 Van Berne et al.	D504,815	S	5/2005 Carlson
5,944,211	A	8/1999 Woodnorth et al.	D505,840	S	6/2005 Schultz et al.
D415,386	S	10/1999 Stucke, Jr. et al.	D507,155	S	7/2005 Gosen et al.
			D507,968	S *	8/2005 Dixon et al. .... D9/422

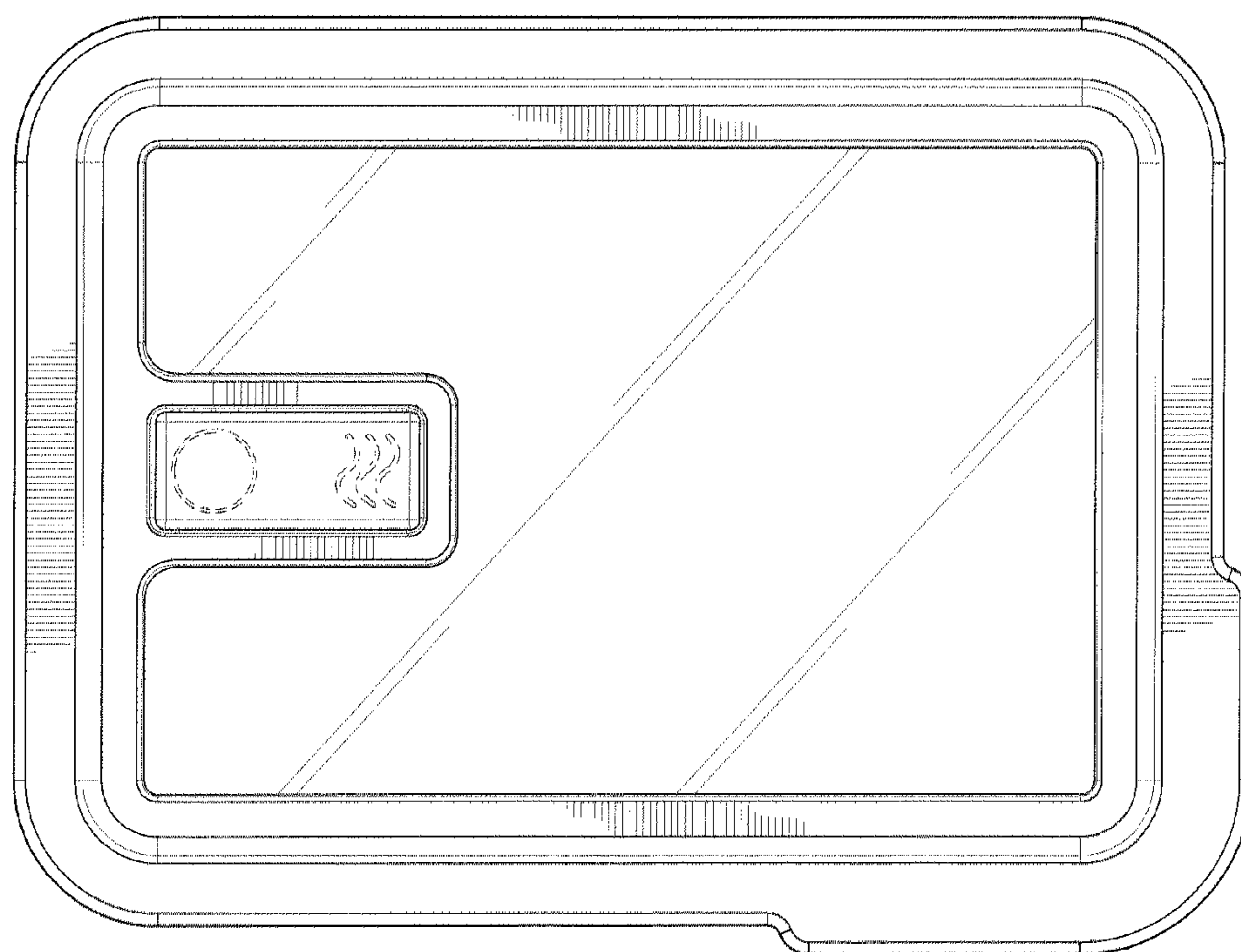
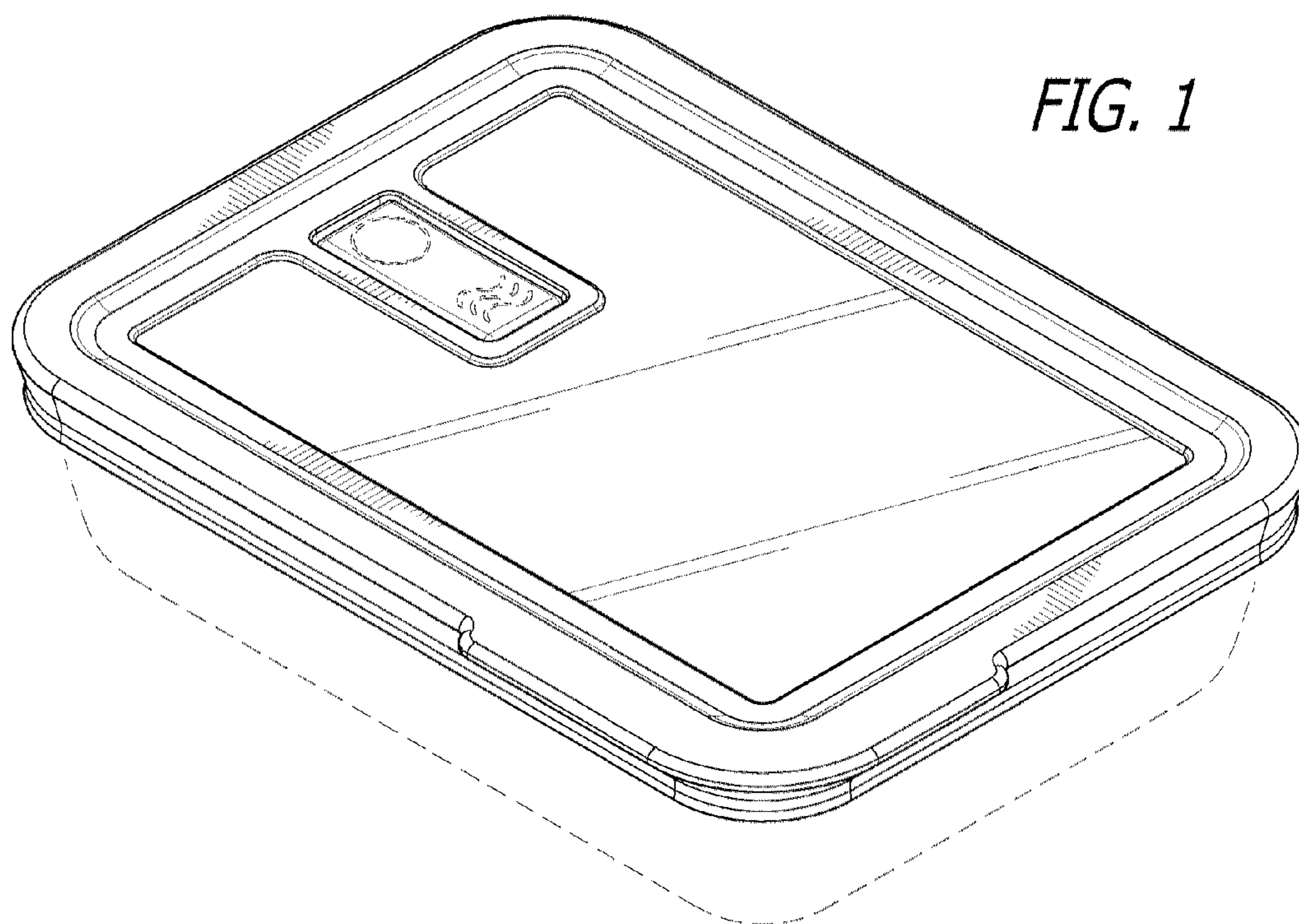
# US D673,808 S

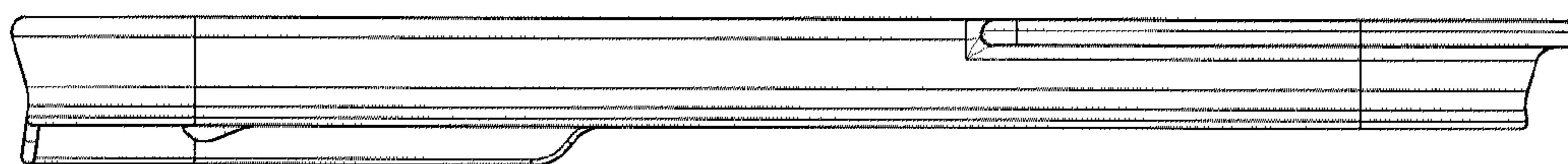
D508,825 S	8/2005	Kim		D606,177 S	12/2009	Urquiola
6,929,145 B2	8/2005	Shepler		D606,813 S	12/2009	Kim
D511,931 S	11/2005	Sano		D607,688 S	1/2010	Hart et al.
D511,938 S	11/2005	Watson		D607,689 S	1/2010	Hart et al.
D512,278 S	12/2005	Schultz et al.		D609,530 S	2/2010	Hart et al.
D514,373 S	2/2006	Vendl et al.		D610,878 S	3/2010	Kim
D514,811 S	2/2006	Koo		D610,879 S	3/2010	Kim
D514,954 S	2/2006	Kim		D611,305 S	3/2010	Hart et al.
D516,376 S	3/2006	Kim		D612,196 S	3/2010	Furlong
D517,311 S	3/2006	Kim		D615,821 S	5/2010	Stamper
D521,812 S	5/2006	Kim		D618,516 S	6/2010	DiPietro et al.
D522,804 S	6/2006	Vendl et al.		7,740,730 B2	6/2010	Schedl et al.
D523,296 S	6/2006	Kim		7,753,223 B2	7/2010	Boozer et al.
D523,747 S *	6/2006	Snedden et al.	..... D9/435	D621,664 S	8/2010	Heiberg et al.
D524,119 S	7/2006	Kim		7,784,638 B2	8/2010	Kishbaugh et al.
D525,489 S	7/2006	Kim		7,789,262 B2	9/2010	Niederer et al.
7,077,282 B2	7/2006	Tondar et al.		7,975,883 B2	7/2011	Laib et al.
D526,857 S *	8/2006	Littmann	..... D7/629	D642,861 S	8/2011	Samartgis
D527,218 S	8/2006	Carlson		7,997,439 B2	8/2011	Meeks et al.
7,086,326 B2	8/2006	Yokoyama		2001/0023870 A1	9/2001	Mihalov et al.
7,090,089 B2	8/2006	Lown et al.		2003/0019878 A1	1/2003	Scarabelli et al.
7,097,067 B2	8/2006	Scarabelli et al.		2003/0116572 A1	6/2003	Klock et al.
D528,357 S	9/2006	Hsu		2003/0160056 A1	8/2003	Moon et al.
7,114,617 B2	10/2006	Yewdall et al.		2003/0178428 A1	9/2003	Chang
7,131,550 B2	11/2006	Vilalta et al.		2004/0013827 A1	1/2004	Zuser et al.
D535,153 S	1/2007	Eide et al.		2004/0035867 A1	2/2004	Schultz et al.
D536,251 S	2/2007	Richards		2004/0182860 A1	9/2004	Wu et al.
D536,571 S	2/2007	Kim		2005/0006390 A1	1/2005	Wang
D537,293 S *	2/2007	Ho	..... D7/392.1	2005/0205572 A1	9/2005	Leibowitz
D537,300 S	2/2007	Kim		2005/0205577 A1	9/2005	Park
D539,098 S	3/2007	Tucker et al.		2005/0218143 A1	10/2005	Niederer et al.
D544,755 S	6/2007	Diesman		2006/0266757 A1	11/2006	Camacho et al.
D544,762 S	6/2007	Zimmerman		2007/0095836 A1	5/2007	Auwarter et al.
D549,519 S	8/2007	Moon et al.		2007/0095849 A1	5/2007	Kim
D551,907 S	10/2007	Zettle et al.		2007/0131750 A1	6/2007	Drummond et al.
D553,444 S	10/2007	de Groote et al.		2007/0164094 A1	7/2007	Takahashi
7,299,941 B2	11/2007	McMahon, III et al.		2007/0164095 A1	7/2007	Schuetz
D557,993 S *	12/2007	Stamper et al.	..... D7/629	2007/0170190 A1	7/2007	Milesi et al.
D559,042 S	1/2008	de Groote et al.		2008/0041852 A1	2/2008	Cai
D562,083 S	2/2008	Lown et al.		2008/0083752 A1	4/2008	Mantyla et al.
D562,624 S *	2/2008	Kortleven	..... D7/392.1	2008/0203092 A1	8/2008	Stamper et al.
D563,175 S	3/2008	Levien		2009/0008284 A1	1/2009	Lown et al.
D566,483 S	4/2008	Tucker et al.		2009/0218360 A1	9/2009	Suk
D567,029 S	4/2008	Valderrama et al.		2010/0089934 A1	4/2010	Lim
D568,108 S	5/2008	Levien				
D571,657 S	6/2008	Kuo				
D575,115 S	8/2008	Zimmerman				
7,413,099 B2	8/2008	Takahashi et al.				
D580,218 S	11/2008	Kim				
D582,201 S	12/2008	Kellermann et al.				
D583,191 S *	12/2008	Wong	..... D7/396.2			
D583,615 S	12/2008	Simon et al.				
D586,179 S	2/2009	Furlong				
D590,666 S *	4/2009	Wang	..... D7/629			
D591,112 S	4/2009	Wang				
D591,149 S	4/2009	Bonner et al.				
D594,704 S	6/2009	Loaiza				
D604,157 S	11/2009	Reiterer et al.				
D606,176 S	12/2009	Urquiola				

## FOREIGN PATENT DOCUMENTS

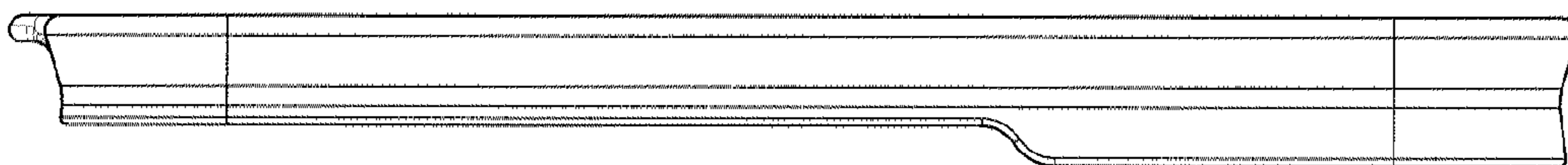
EP	0290418	A2	11/1988
JP	11263358	A	9/1999
JP	2004307059	A	11/2004
JP	2005193980	A	7/2005
KR	102005042421	A	5/2005
KR	100661905	B1	12/2006
KR	102007099735	A	10/2007
KR	200439997	Y1	5/2008
KR	102008043932	A	5/2008
KR	102009034619	A	4/2009
KR	202009012679	U	12/2009

\* cited by examiner

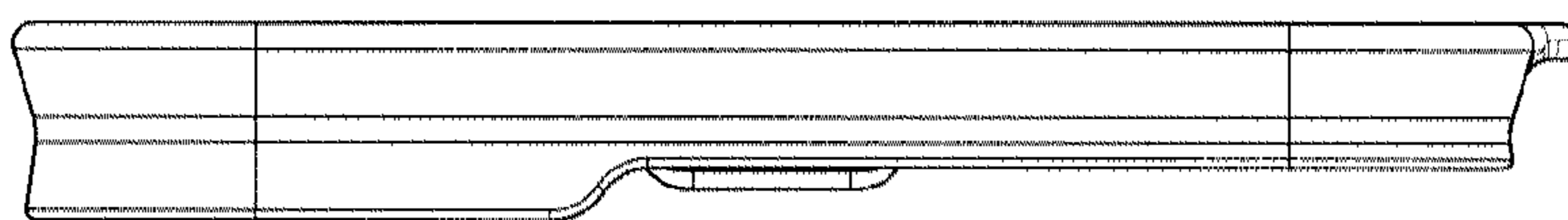




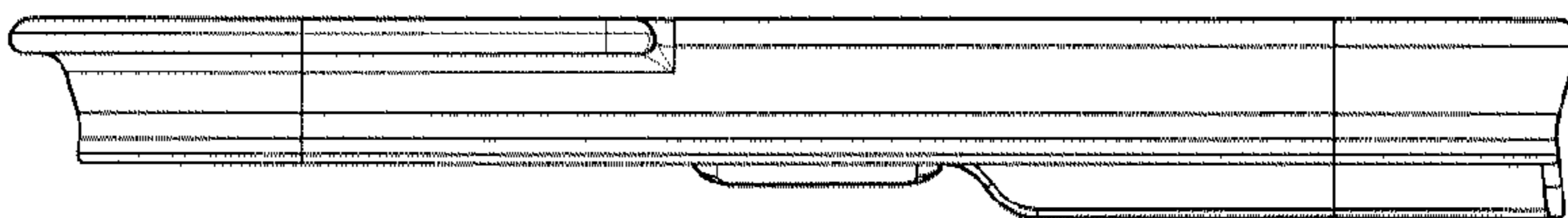
*FIG. 3*



*FIG. 4*

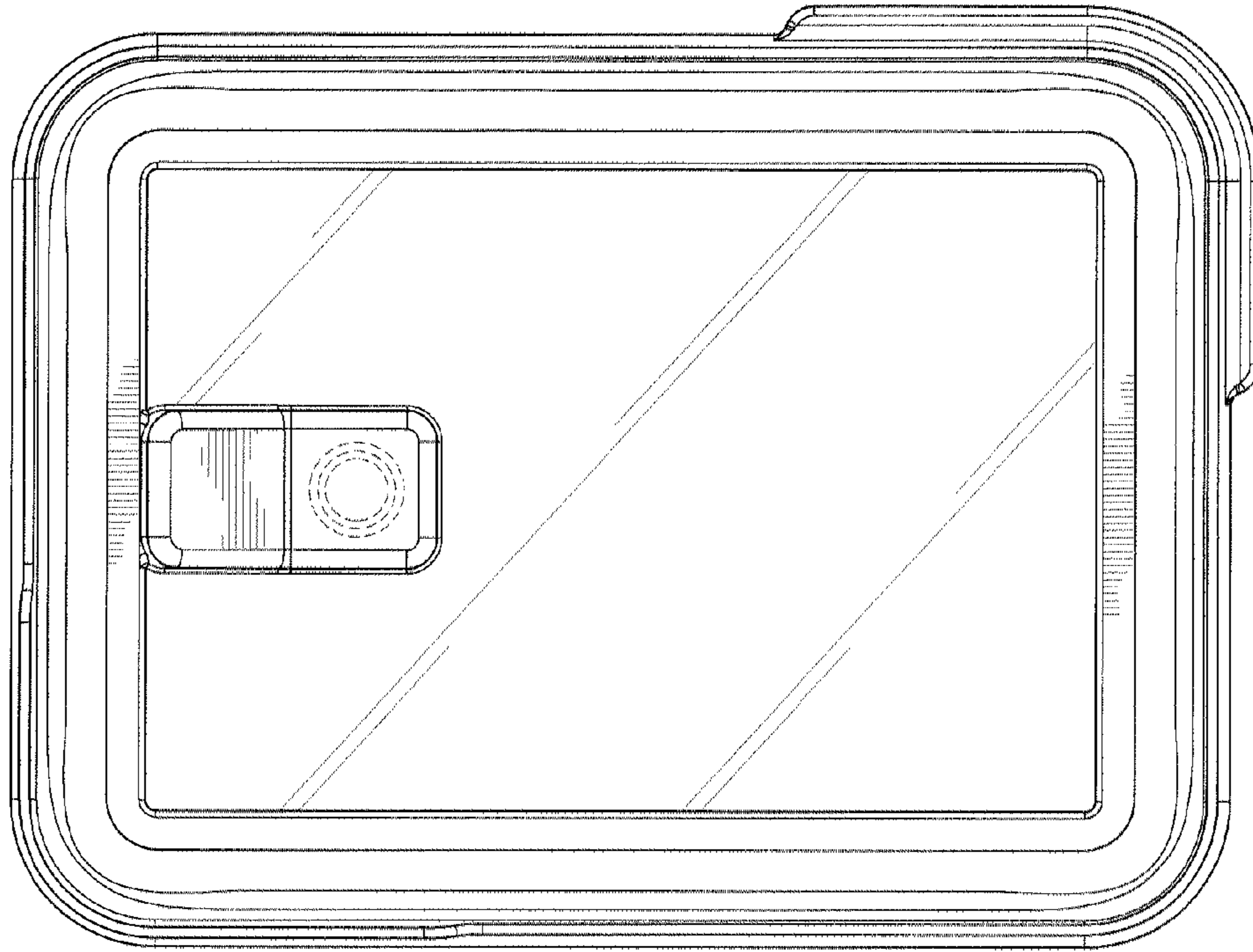


*FIG. 5*

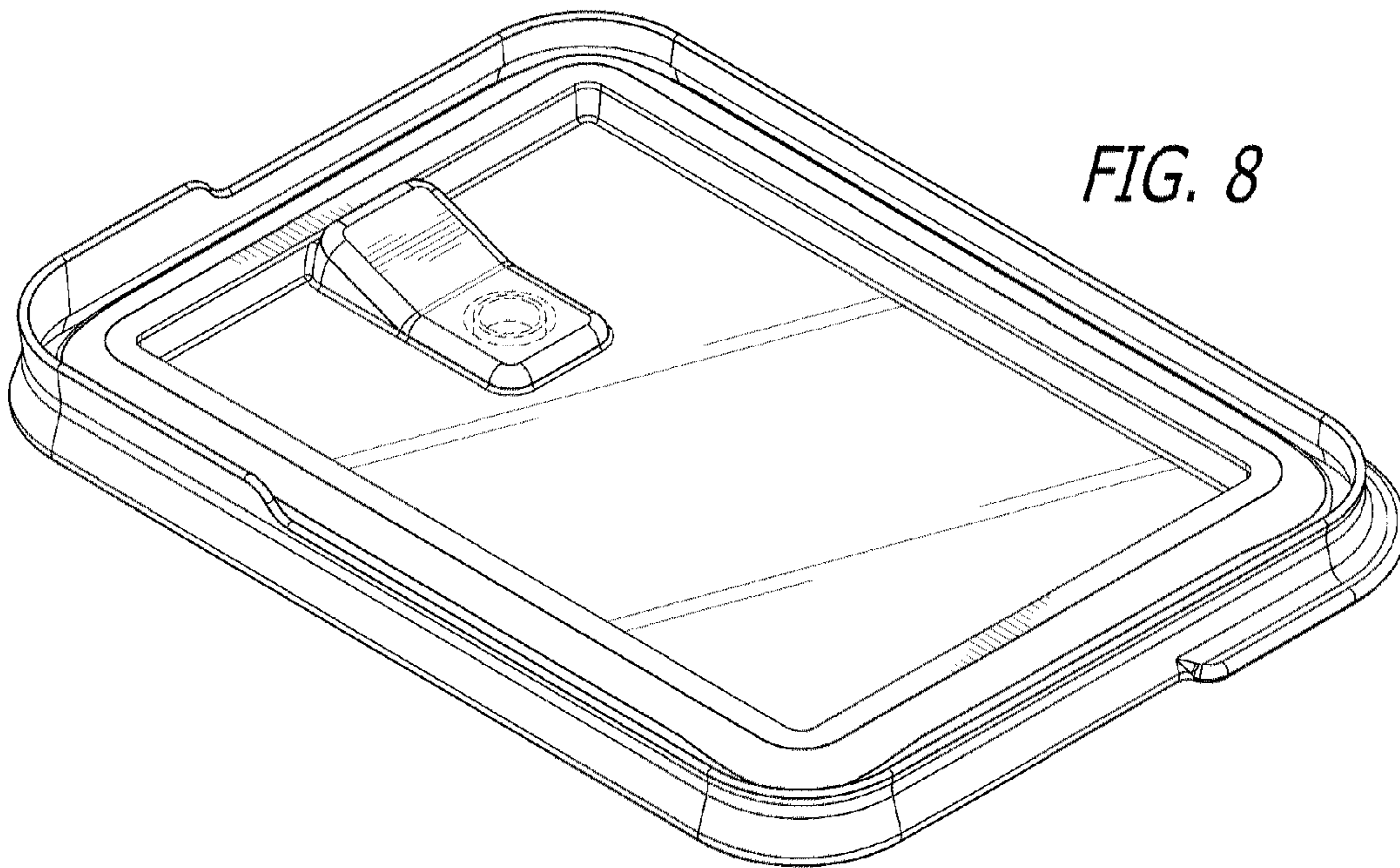


*FIG. 6*

*FIG. 7*



*FIG. 8*



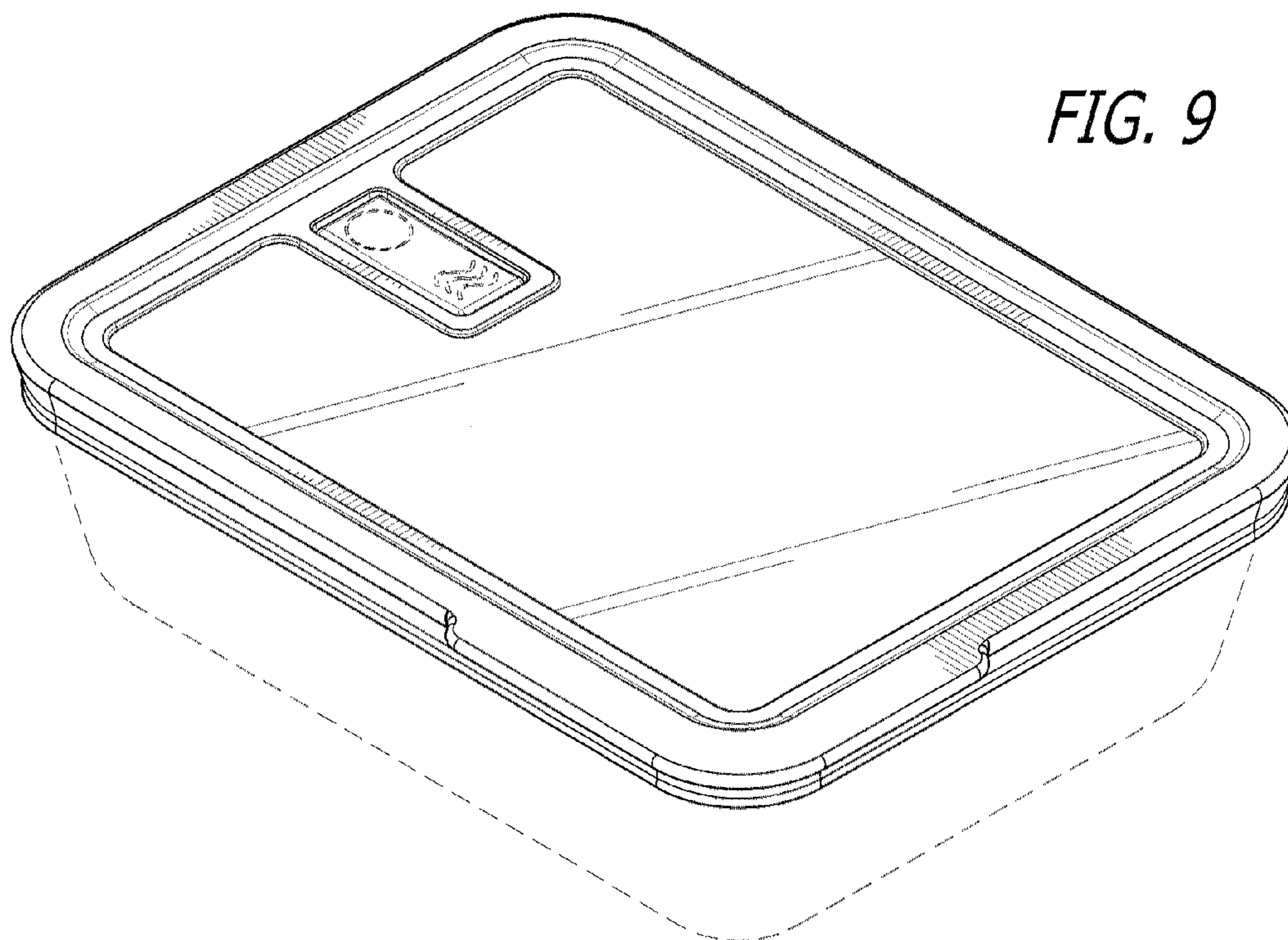


FIG. 9

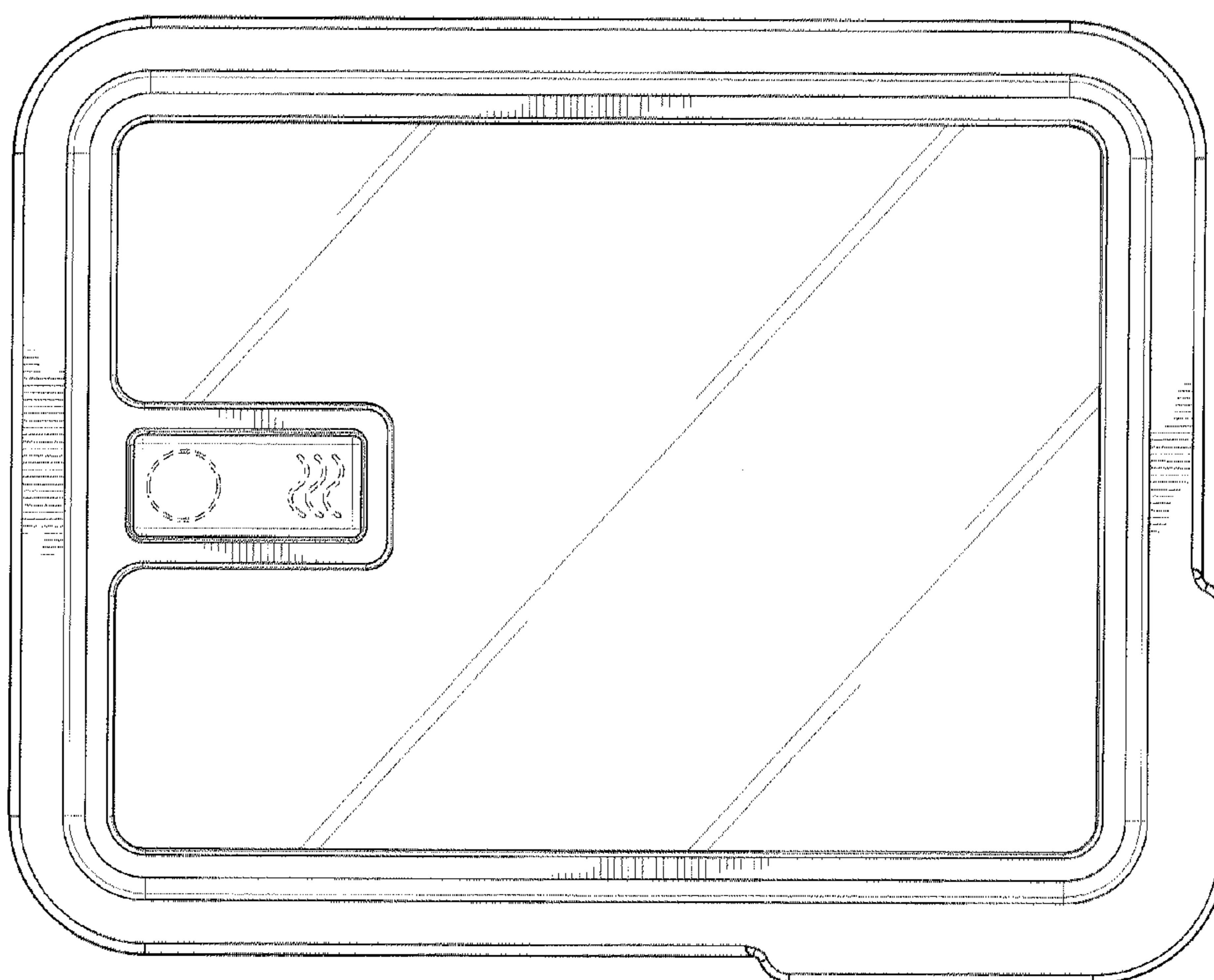
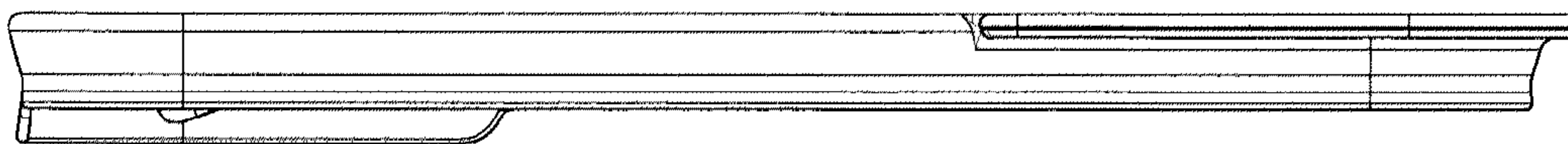
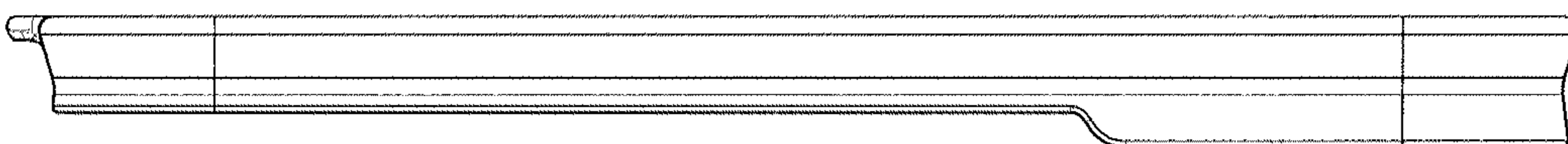


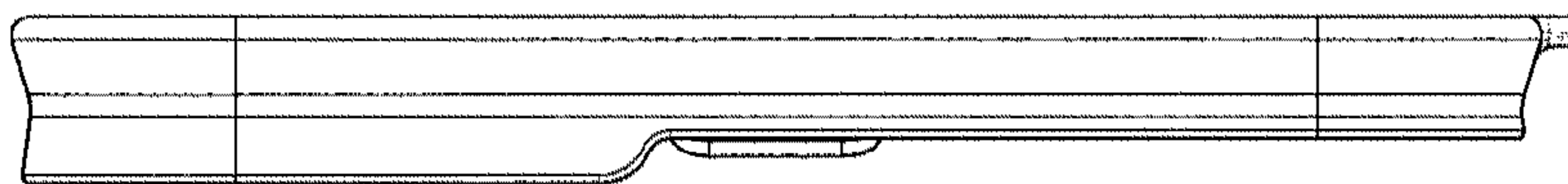
FIG. 10



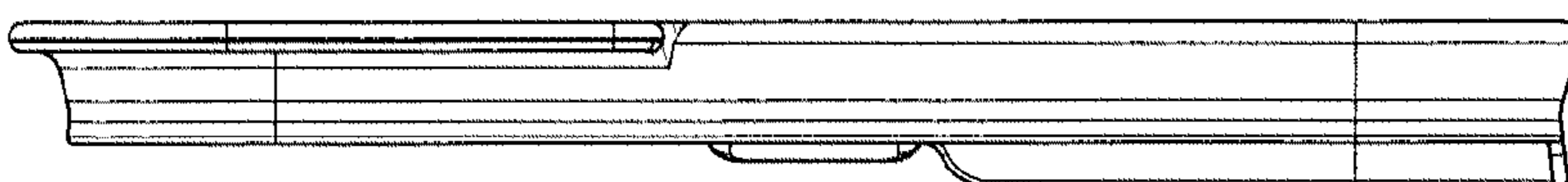
*FIG. 11*



*FIG. 12*



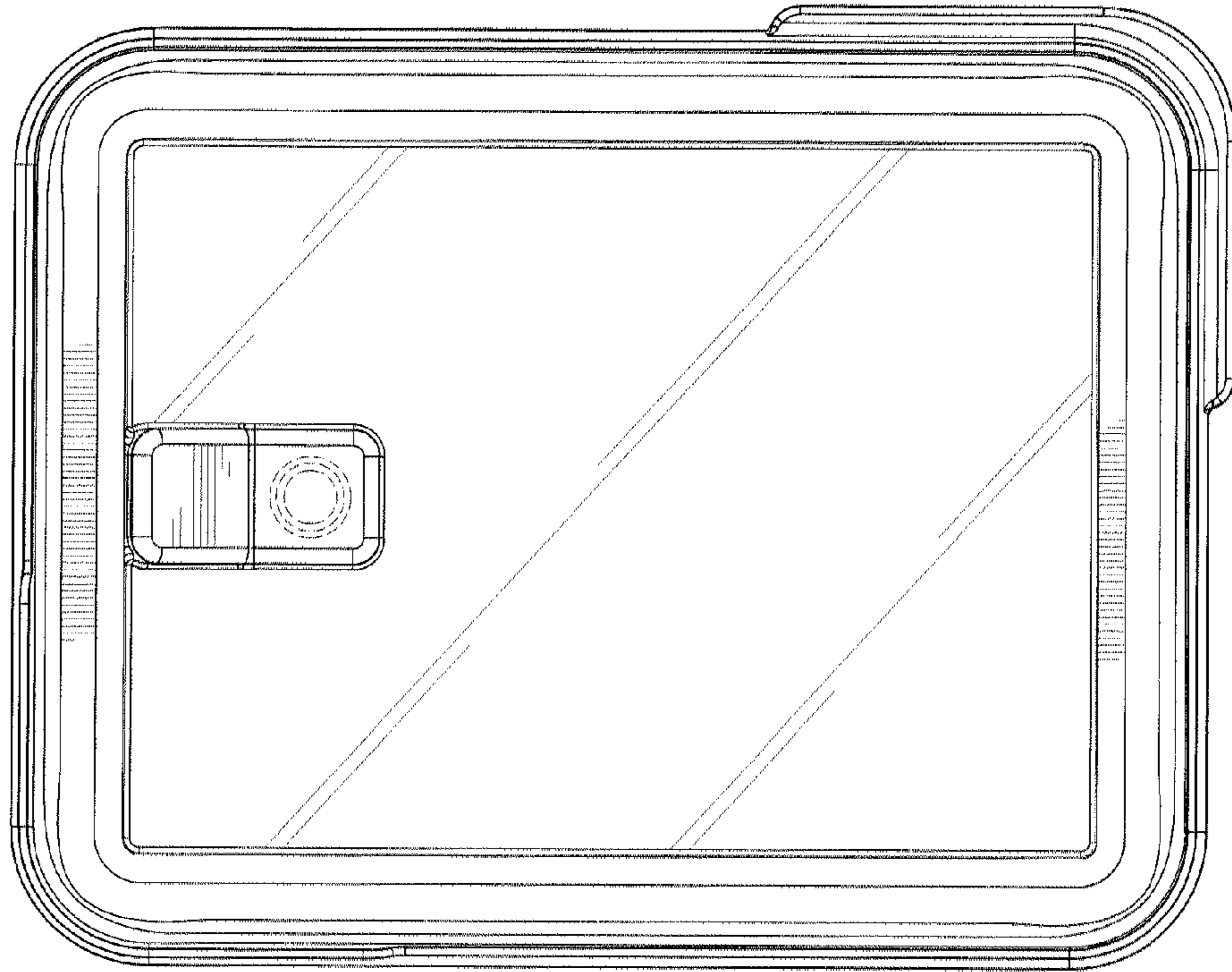
*FIG. 13*



*FIG. 14*



*FIG. 15*



*FIG. 16*

