



US00D673807S

(12) **United States Design Patent**
Grider et al.

(10) **Patent No.:** **US D673,807 S**
(45) **Date of Patent:** **** Jan. 8, 2013**

(54) **CONTAINER LID**

DESCRIPTION

(75) Inventors: **Steven Grider**, West Dundee, IL (US);
Karl Ludeman, Chicago, IL (US);
Tania Aldous, Chicago, IL (US); **Dan**
Streng, Elmwood Park, IL (US)
(73) Assignee: **WKI Holding Company, Inc.**,
Rosemont, IL (US)
(**) Term: **14 Years**
(21) Appl. No.: **29/415,471**
(22) Filed: **Mar. 10, 2012**
(51) **LOC (9) Cl.** **07-02**
(52) **U.S. Cl.** **D7/391**
(58) **Field of Classification Search** D7/323,
D7/329-332, 337-339, 346-347, 350.1-350.4,
D7/353-367, 391-395, 396.2, 402-406, 538,
D7/542-543; D9/447-449; 53/412; 99/324-325,
99/330-332, 337-340, 369, 400-418, 422,
99/425, 444, 483; 126/37 R, 41 R, 261, 378.1;
206/501-505, 507-508; 219/387, 400, 405,
219/429-442, 452.11, 620-624, 725, 730-735;
220/254.9, 270, 315, 573.1-573.5, 785, 912;
426/438, 441
See application file for complete search history.

FIG. 1 is a top perspective view of a container lid according to the present invention.
FIG. 2 is a top plan view of the container lid of FIG. 1.
FIG. 3 is a left side elevation view of the container lid of FIG. 1.
FIG. 4 is a right side elevation view of the container lid of FIG. 1.
FIG. 5 is a front end elevation view of the container lid of FIG. 1.
FIG. 6 is a rear end elevation view of the container lid of FIG. 1.
FIG. 7 is a bottom plan view of the container lid of FIG. 1.
FIG. 8 is a bottom perspective view of the container lid of FIG. 1.
FIG. 9 is a top perspective view of another embodiment of the container lid of according to the present invention.
FIG. 10 is a top plan view of the container lid of FIG. 9.
FIG. 11 is a left side elevation view of the lid of FIG. 9.
FIG. 12 is a right side elevation view of the lid of FIG. 9.
FIG. 13 is a front end elevation view of the lid of FIG. 9.
FIG. 14 is a rear end elevation view of the lid of FIG. 9.
FIG. 15 is a bottom plan view of the container lid of FIG. 9.
FIG. 16 is a bottom perspective view of the container lid of FIG. 9.
FIG. 17 is a perspective view of another embodiment of the container lid of according to the present invention.
FIG. 18 is a top plan view of the container lid of FIG. 17.
FIG. 19 is a left side elevation view of the lid of FIG. 17.
FIG. 20 is a right side elevation view of the lid of FIG. 17.
FIG. 21 is a front end elevation view of the lid of FIG. 17.
FIG. 22 is a rear end elevation view of the lid of FIG. 17.
FIG. 23 is a bottom plan view of the container lid of FIG. 17.
FIG. 24 is a bottom perspective view of the container lid of FIG. 17.
FIG. 25 is a perspective view of another embodiment of the container lid of according to the present invention.
FIG. 26 is a top plan view of the container lid of FIG. 25.
FIG. 27 is a left side elevation view of the lid of FIG. 25.
FIG. 28 is a right side elevation view of the lid of FIG. 25.
FIG. 29 is a front end elevation view of the lid of FIG. 25.
FIG. 30 is a rear end elevation view of the lid of FIG. 25.
FIG. 31 is a bottom plan view of the container lid of FIG. 25; and,
FIG. 32 is a bottom perspective view of the container lid of FIG. 25.
The broken lines form no part of the claimed design.

(56) **References Cited**

U.S. PATENT DOCUMENTS

498,020 A 5/1893 Murray
(Continued)

FOREIGN PATENT DOCUMENTS

EP 0112295 A2 6/1984
(Continued)

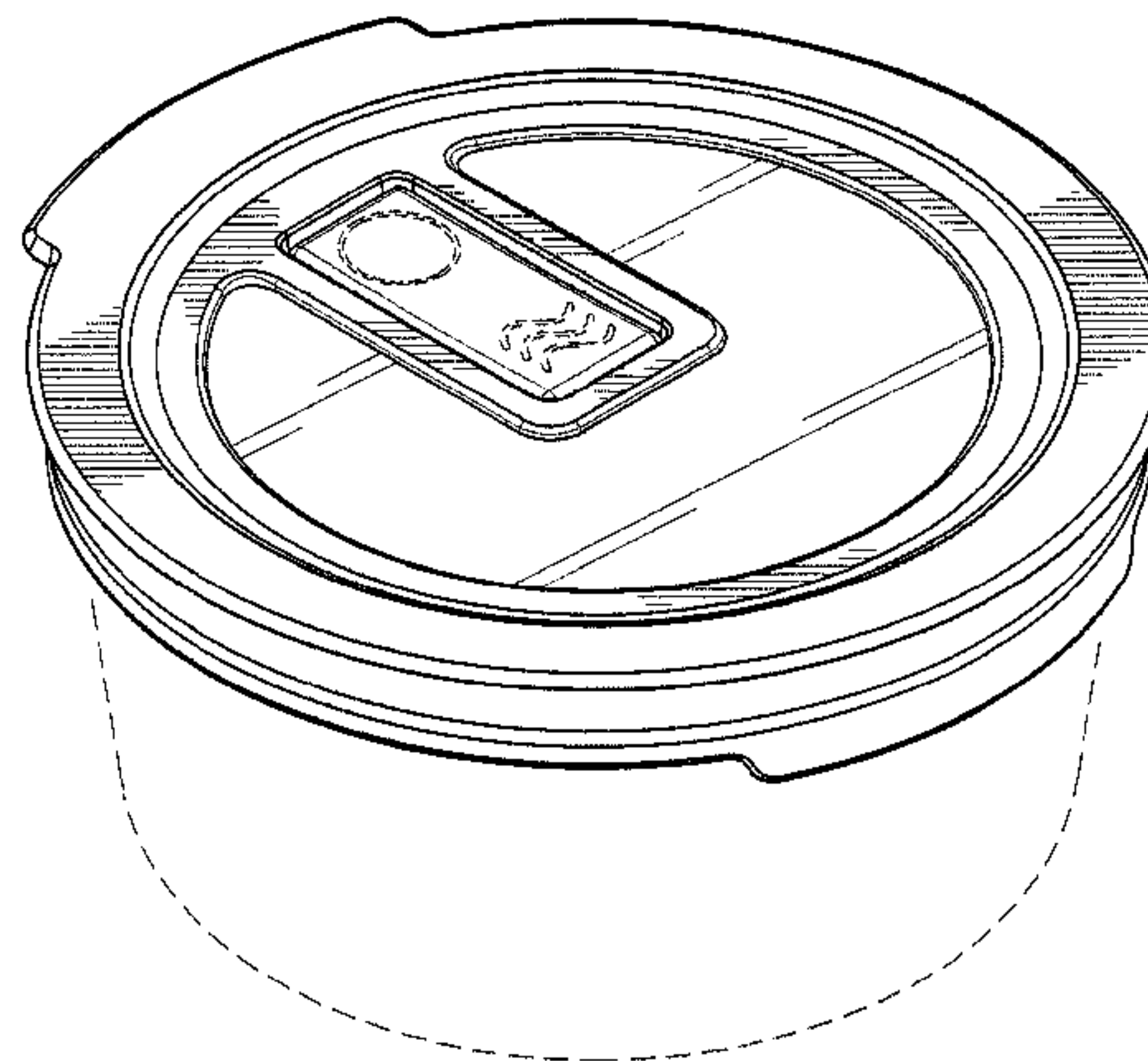
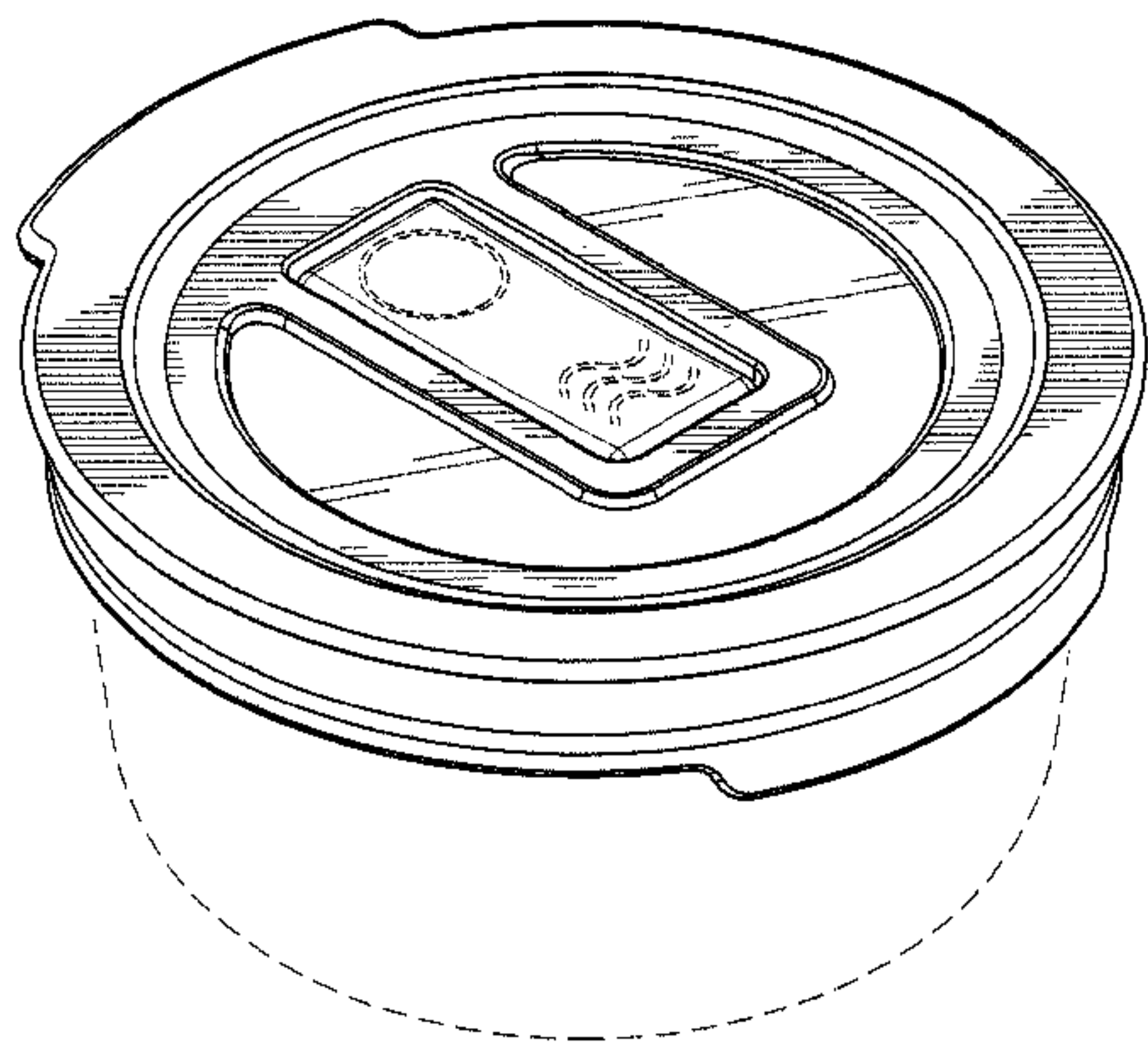
Primary Examiner — Ricky Pham

(74) *Attorney, Agent, or Firm* — McDermott Will & Emery LLP

(57) **CLAIM**

We claim the ornamental design for a container lid, as shown and described.

1 Claim, 12 Drawing Sheets



US D673,807 S

U.S. PATENT DOCUMENTS					
771,960 A	10/1904	Adams	5,944,211 A	8/1999	Woodnorth et al.
1,369,969 A	3/1921	Fairbanks et al.	D415,386 S	10/1999	Stucke, Jr. et al.
1,622,658 A	3/1927	McBurney	D415,652 S	10/1999	Loew et al.
2,047,720 A	7/1936	Wilhelm	5,974,686 A	11/1999	Nomura et al.
2,069,125 A	11/1936	Antrim	D417,367 S	12/1999	Laib
2,234,485 A	3/1941	Connor	D417,817 S	12/1999	Loew et al.
2,259,770 A	10/1941	Nove	D418,017 S	12/1999	Henry
2,604,976 A	7/1952	Sarg	6,035,769 A	3/2000	Nomura et al.
2,626,726 A	1/1953	Burkhardt	6,053,474 A	4/2000	Stucke, Jr. et al.
2,705,657 A	4/1955	DiGiorgio	D429,961 S	8/2000	Harris
2,808,175 A	10/1957	Aiken	6,105,810 A	8/2000	Daenen et al.
2,898,003 A	8/1959	Wilson et al.	6,116,151 A	9/2000	Fickert et al.
D192,257 S	2/1962	Ebstein	D431,419 S	10/2000	Greene
3,081,394 A	3/1963	Arel et al.	D435,447 S	12/2000	Lee
3,185,371 A	5/1965	Reifers	D440,470 S	4/2001	Tucker et al.
3,273,743 A	9/1966	McColl	D441,598 S	5/2001	Wyche
3,391,847 A	7/1968	Christine et al.	D442,425 S	5/2001	Wyche
3,391,852 A	7/1968	Waldrop	6,234,067 B1	5/2001	Schmidt
D218,347 S	8/1970	Aubecq	D443,184 S	6/2001	Maxwell et al.
3,632,014 A	1/1972	Basile	D443,798 S	6/2001	Tucker et al.
3,688,942 A	9/1972	Mitchell et al.	D445,631 S	7/2001	Elorza
3,850,331 A	11/1974	Oxel	D445,633 S	7/2001	Bradley
D234,026 S	12/1974	Winter	D445,641 S	7/2001	Conti
3,964,670 A	6/1976	Amneus	D445,649 S	7/2001	Maxwell et al.
3,981,412 A *	9/1976	Asmus 220/270	D445,673 S	7/2001	Richardson
4,005,798 A	2/1977	Minsky	D445,674 S	7/2001	Pritchett
4,020,969 A	5/1977	Ando	D445,687 S	7/2001	Gilbertson
4,078,696 A	3/1978	Crisci	6,261,616 B1	7/2001	Simpson et al.
4,185,752 A	1/1980	Basile	D446,085 S	8/2001	Dretzka
4,209,126 A	6/1980	Elias	D446,117 S	8/2001	Conti
D256,759 S	9/1980	Johnson	D448,606 S	10/2001	Conti
D258,038 S	1/1981	Johnson	D448,965 S	10/2001	Jang-Won
D258,350 S	2/1981	Scott et al.	D448,969 S	10/2001	Conti
D259,103 S	5/1981	Scott et al.	D450,537 S	11/2001	Hayes
D261,620 S	11/1981	Scott et al.	D452,374 S	12/2001	Kim
4,329,919 A	5/1982	Andersen	D455,321 S	4/2002	Jung et al.
D265,798 S	8/1982	Ossola	6,364,152 B1	4/2002	Poslinski et al.
4,466,552 A	8/1984	Butterworth et al.	6,415,945 B1	7/2002	Zank et al.
D276,218 S	11/1984	Baldwin et al.	6,415,947 B1	7/2002	Kim
D280,969 S	10/1985	Schrage	D461,678 S	8/2002	Hayes
D282,616 S	2/1986	Gallagher et al.	6,460,720 B1	10/2002	Massey et al.
4,607,768 A	8/1986	Taber et al.	D465,969 S	11/2002	Morin
D287,559 S	1/1987	Daenen et al.	6,474,490 B1	11/2002	Seibel et al.
D289,844 S	5/1987	Daenen et al.	6,494,338 B1	12/2002	Schultz
D290,346 S	6/1987	Siegel	D470,005 S	2/2003	Cooper et al.
D296,525 S	7/1988	Siegel	6,557,720 B2	5/2003	Tosdale et al.
4,830,214 A *	5/1989	Curliss et al. 220/270	6,568,534 B2	5/2003	Zank
4,863,036 A	9/1989	Heijenga	D475,246 S	6/2003	Jørgensen
4,976,370 A	12/1990	Cassel	D475,573 S	6/2003	Jalet et al.
4,981,229 A	1/1991	Lanham	6,581,795 B1	6/2003	Schulein et al.
5,002,189 A	3/1991	Sahi	6,581,939 B1	6/2003	Theros et al.
5,007,231 A *	4/1991	Ingemann 53/412	D477,187 S	7/2003	McCallister et al.
5,065,885 A	11/1991	Scaroni	D478,469 S	8/2003	Roth et al.
D327,201 S	6/1992	Gecchelin	D479,673 S	9/2003	Kim
5,337,913 A	8/1994	Fukuda	D479,954 S	9/2003	Kim
5,363,978 A	11/1994	Molo	D480,277 S	10/2003	Claypool
5,405,038 A	4/1995	Chuang	D481,910 S	11/2003	Kim
5,423,451 A	6/1995	Snyder	D483,618 S	12/2003	Watson
5,427,266 A	6/1995	Yun	D483,622 S	12/2003	Kim
D359,905 S *	7/1995	Molo D9/447	D484,367 S	12/2003	Kim
D361,470 S	8/1995	Arbunies	D484,745 S	1/2004	Watson
D365,251 S	12/1995	Lo	6,685,046 B2	2/2004	Ogino
5,579,961 A	12/1996	Zimmerman	6,698,336 B1	3/2004	Siegel et al.
5,641,065 A	6/1997	Owens et al.	D488,031 S	4/2004	Kim
D381,553 S	7/1997	Candianides	D490,277 S	5/2004	Kim
D386,685 S	11/1997	Miller	D490,643 S	6/2004	Groll
5,688,544 A	11/1997	Bolton et al.	D493,073 S	7/2004	Kim
D389,012 S	1/1998	Miller	D496,560 S	9/2004	Lerner
5,704,485 A	1/1998	Cautereels et al.	6,793,096 B1	9/2004	Seok
5,709,318 A	1/1998	Oder et al.	D498,389 S	11/2004	Tollman
5,762,228 A	6/1998	Morgan et al.	6,824,004 B1	11/2004	Wooderson
5,785,201 A	7/1998	Bordner et al.	D499,931 S	12/2004	Kim
5,806,703 A	9/1998	Grandi	D500,227 S	12/2004	Seok
5,806,710 A *	9/1998	Shiffer et al. 220/785	D501,764 S	2/2005	Lerner
D401,468 S	11/1998	Knoll et al.	6,877,633 B2	4/2005	Niese
D407,640 S	4/1999	Nelson et al.	D504,815 S	5/2005	Carlson
5,893,477 A	4/1999	Kaneko et al.	D505,840 S	6/2005	Schultz et al.
5,921,432 A	7/1999	Van Berne et al.	D507,155 S	7/2005	Gosen et al.
			D508,825 S	8/2005	Kim

US D673,807 S

6,929,145 B2	8/2005	Shepler	D610,878 S	3/2010	Kim
D511,931 S	11/2005	Sano	D610,879 S	3/2010	Kim
D511,938 S	11/2005	Watson	D611,305 S	3/2010	Hart et al.
D512,278 S	12/2005	Schultz et al.	D612,196 S	3/2010	Furlong
D514,373 S	2/2006	Vendl et al.	D615,821 S	5/2010	Stamper
D514,811 S	2/2006	Koo	D618,516 S	6/2010	DiPietro et al.
D514,954 S	2/2006	Kim	7,740,730 B2	6/2010	Schedl et al.
D516,376 S	3/2006	Kim	7,753,223 B2	7/2010	Boozer et al.
D517,311 S	3/2006	Kim	D621,664 S	8/2010	Heiberg et al.
D521,812 S	5/2006	Kim	7,784,638 B2	8/2010	Kishbaugh et al.
D522,804 S	6/2006	Vendl et al.	7,789,262 B2	9/2010	Niederer et al.
D523,296 S	6/2006	Kim	7,874,447 B2 *	1/2011	Schmidtner et al. 220/254.9
D524,119 S	7/2006	Kim	7,975,883 B2	7/2011	Laib et al.
D525,489 S	7/2006	Kim	D642,861 S	8/2011	Samartgis
7,077,282 B2	7/2006	Tondar et al.	7,997,439 B2	8/2011	Meeks et al.
D527,218 S	8/2006	Carlson	D655,605 S *	3/2012	Baughman D9/447
7,086,326 B2	8/2006	Yokoyama	D666,052 S *	8/2012	Trombly D7/392.1
7,090,089 B2	8/2006	Lown et al.	8,272,526 B1 *	9/2012	Vovan et al. 220/270
7,097,067 B2	8/2006	Scarabelli et al.	2001/0023870 A1	9/2001	Mihalov et al.
D528,357 S	9/2006	Hsu	2003/0019878 A1	1/2003	Scarabelli et al.
7,114,617 B2	10/2006	Yewdall et al.	2003/0116572 A1	6/2003	Klock et al.
7,131,550 B2	11/2006	Vilalta et al.	2003/0160056 A1	8/2003	Moon et al.
D533,779 S *	12/2006	Schmidtner et al. D9/449	2003/0178428 A1	9/2003	Chang
D535,153 S	1/2007	Eide et al.	2004/0013827 A1	1/2004	Zuser et al.
D536,251 S	2/2007	Richards	2004/0035867 A1	2/2004	Schultz et al.
D536,571 S	2/2007	Kim	2004/0182860 A1	9/2004	Wu et al.
D537,300 S	2/2007	Kim	2005/0006390 A1	1/2005	Wang
D539,098 S	3/2007	Tucker et al.	2005/0205572 A1	9/2005	Leibowitz
D544,755 S	6/2007	Diesman	2005/0205577 A1	9/2005	Park
D544,762 S	6/2007	Zimmerman	2005/0218143 A1	10/2005	Niederer et al.
D549,519 S	8/2007	Moon et al.	2006/0081633 A1 *	4/2006	Schmidtner et al. 220/254.9
D551,907 S	10/2007	Zettle et al.	2006/0266757 A1	11/2006	Camacho et al.
D553,444 S	10/2007	de Groote et al.	2007/0095836 A1	5/2007	Auwarter et al.
7,299,941 B2	11/2007	McMahon, III et al.	2007/0095849 A1	5/2007	Kim
D559,042 S	1/2008	de Groote et al.	2007/0131750 A1	6/2007	Drummond et al.
D562,083 S	2/2008	Lown et al.	2007/0164094 A1	7/2007	Takahashi
D563,175 S	3/2008	Levien	2007/0164095 A1	7/2007	Schuetz
D566,483 S	4/2008	Tucker et al.	2007/0170190 A1	7/2007	Milesi et al.
D567,029 S	4/2008	Valderrama et al.	2008/0041852 A1	2/2008	Cai
D568,108 S	5/2008	Levien	2008/0083752 A1	4/2008	Mantyla et al.
D571,657 S	6/2008	Kuo	2008/0203092 A1	8/2008	Stamper et al.
D575,115 S	8/2008	Zimmerman	2009/0008284 A1	1/2009	Lown et al.
7,413,099 B2	8/2008	Takahashi et al.	2009/0218360 A1	9/2009	Suk
D580,218 S	11/2008	Kim	2010/0089934 A1	4/2010	Lim
D582,201 S	12/2008	Kellermann et al.			
D583,191 S *	12/2008	Wong D7/396.2			
D583,615 S	12/2008	Simon et al.			
D586,179 S	2/2009	Furlong			
D589,747 S *	4/2009	Wong D7/396.2			
D591,112 S	4/2009	Wang			
D591,149 S	4/2009	Bonner et al.			
D594,704 S	6/2009	Loaiza			
D604,157 S	11/2009	Reiterer et al.			
D606,176 S	12/2009	Urquiola			
D606,177 S	12/2009	Urquiola			
D606,813 S	12/2009	Kim			
D607,688 S	1/2010	Hart et al.			
D607,689 S	1/2010	Hart et al.			
D609,530 S	2/2010	Hart et al.			

FOREIGN PATENT DOCUMENTS

EP	0290418	A2	11/1988
JP	11263358	A	9/1999
JP	2004307059	A	11/2004
JP	2005193980	A	7/2005
KR	102005042421	A	5/2005
KR	100661905	B1	12/2006
KR	102007099735	A	10/2007
KR	200439997	Y1	5/2008
KR	102008043932	A	5/2008
KR	102009034619	A	4/2009
KR	202009012679	U	12/2009

* cited by examiner

FIG. 1

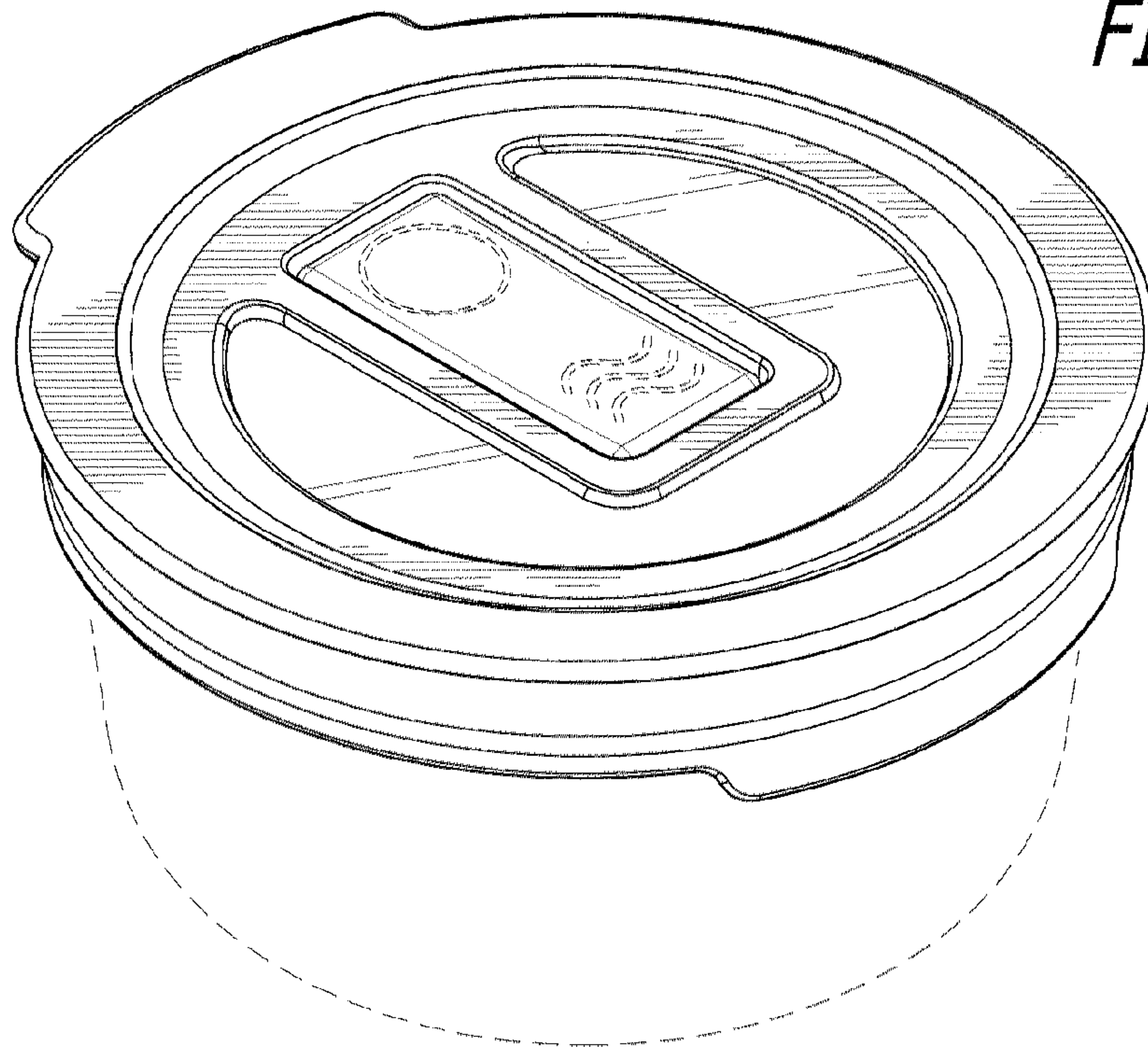
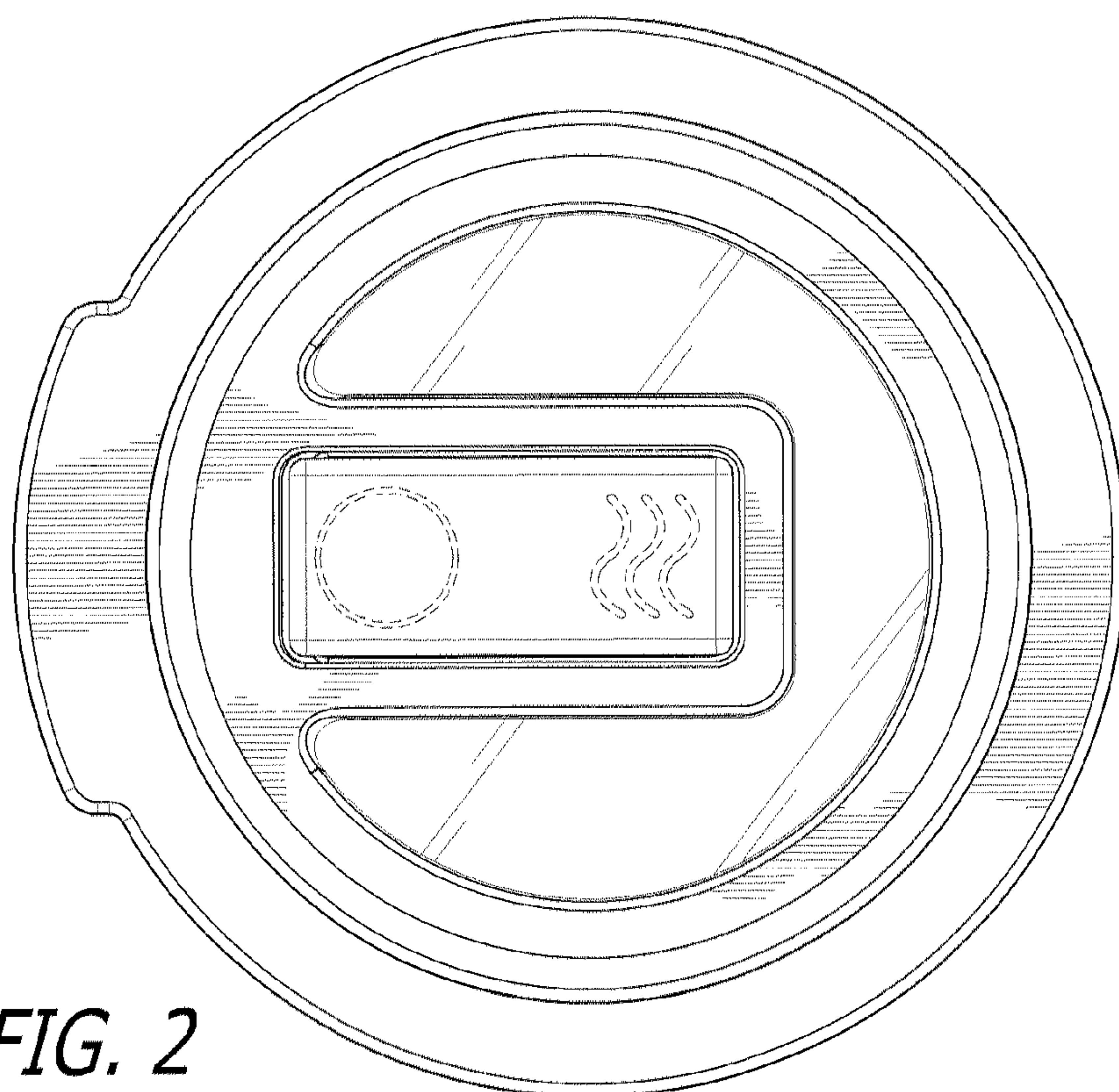


FIG. 2



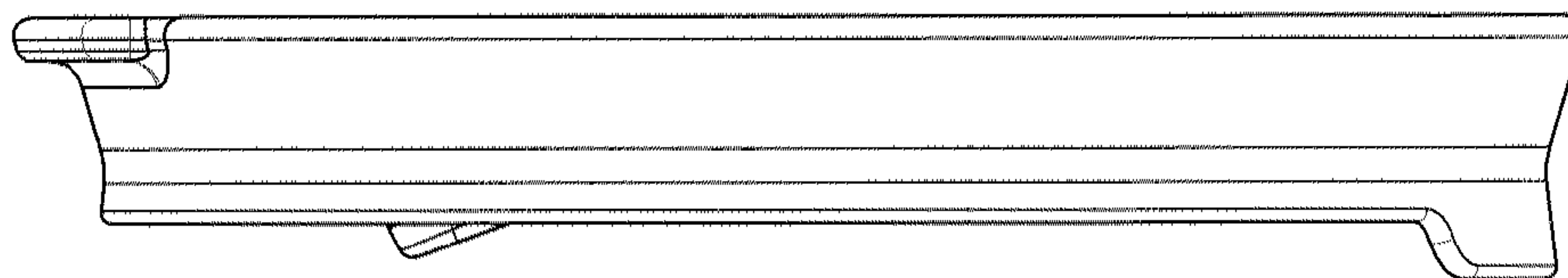


FIG. 3

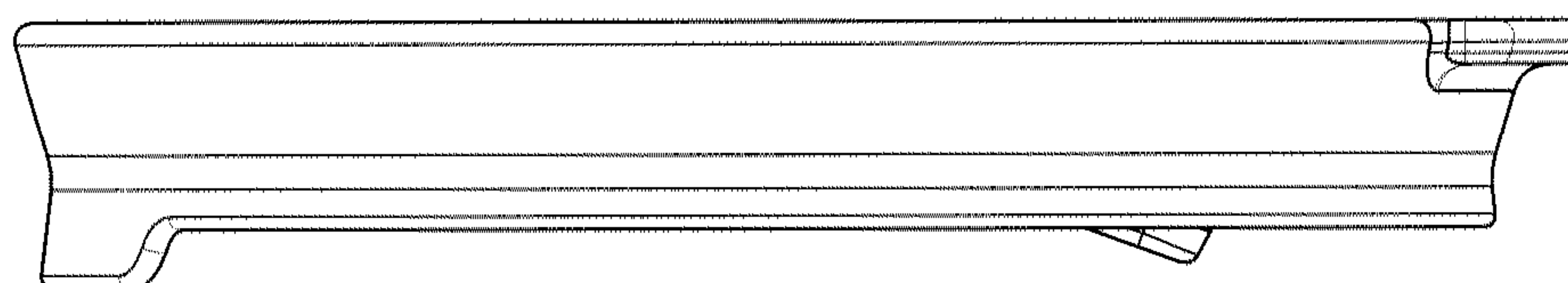


FIG. 4

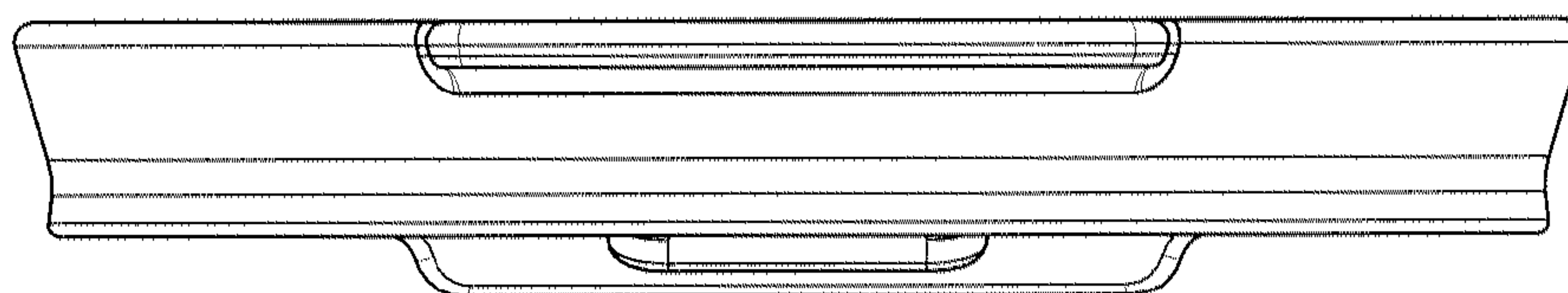


FIG. 5

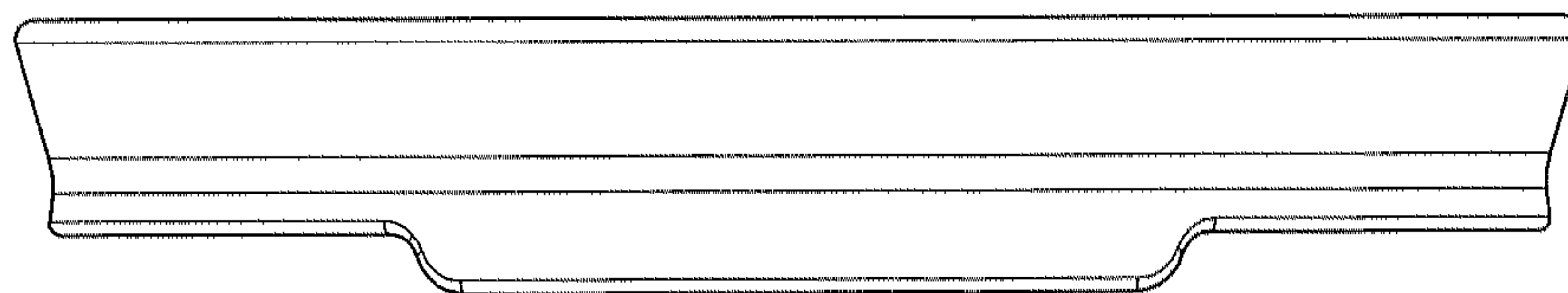


FIG. 6

FIG. 7

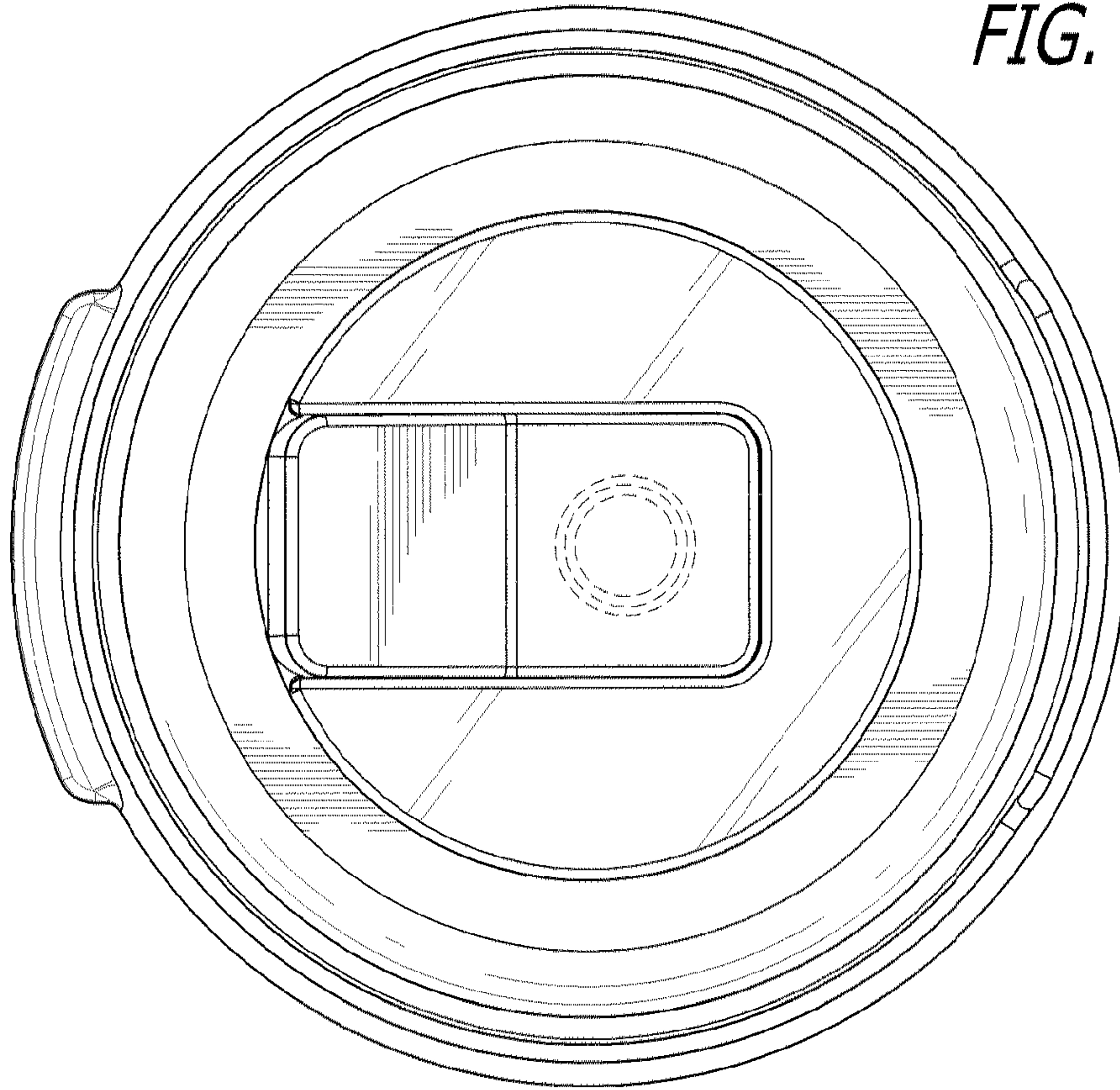


FIG. 8

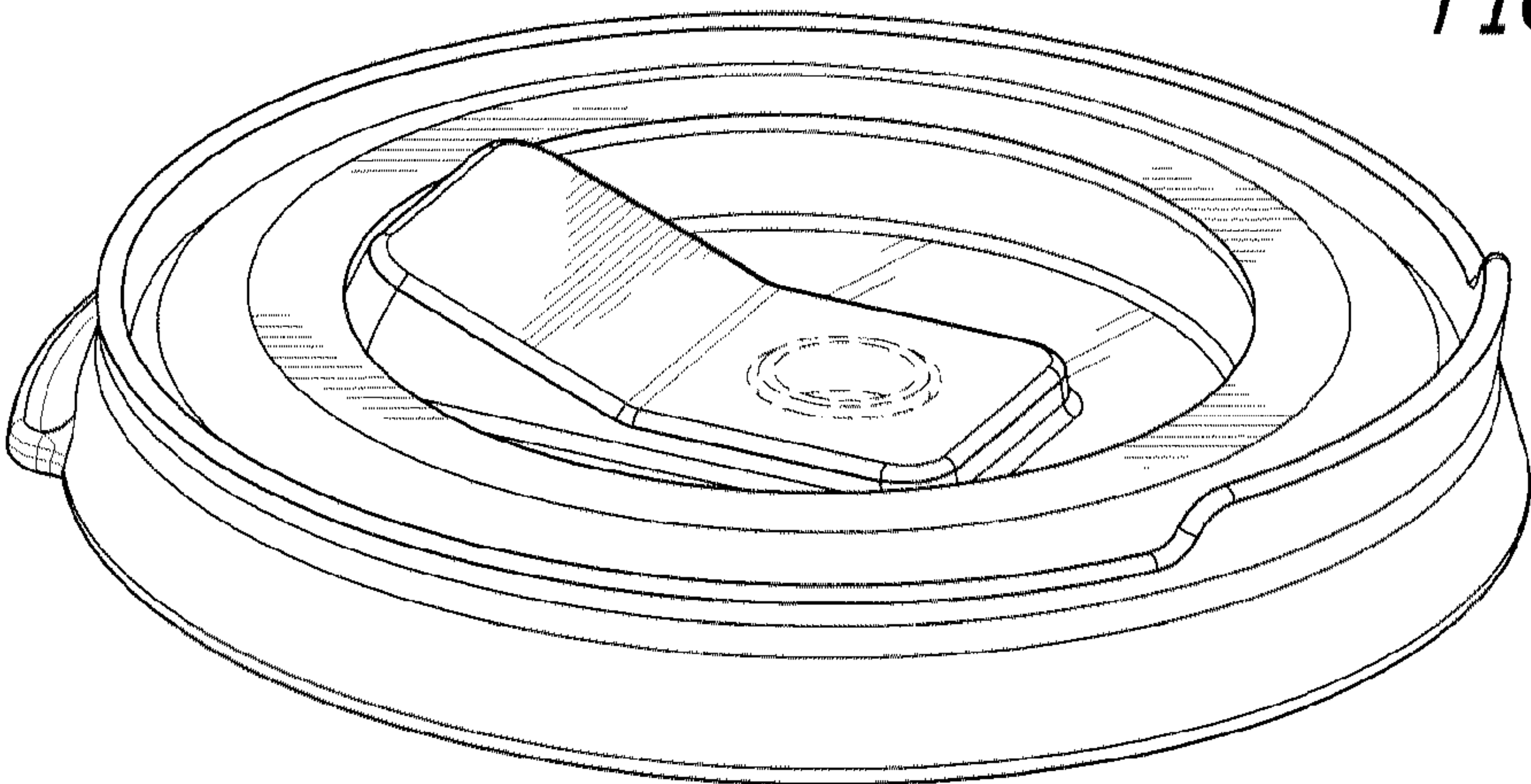


FIG. 9

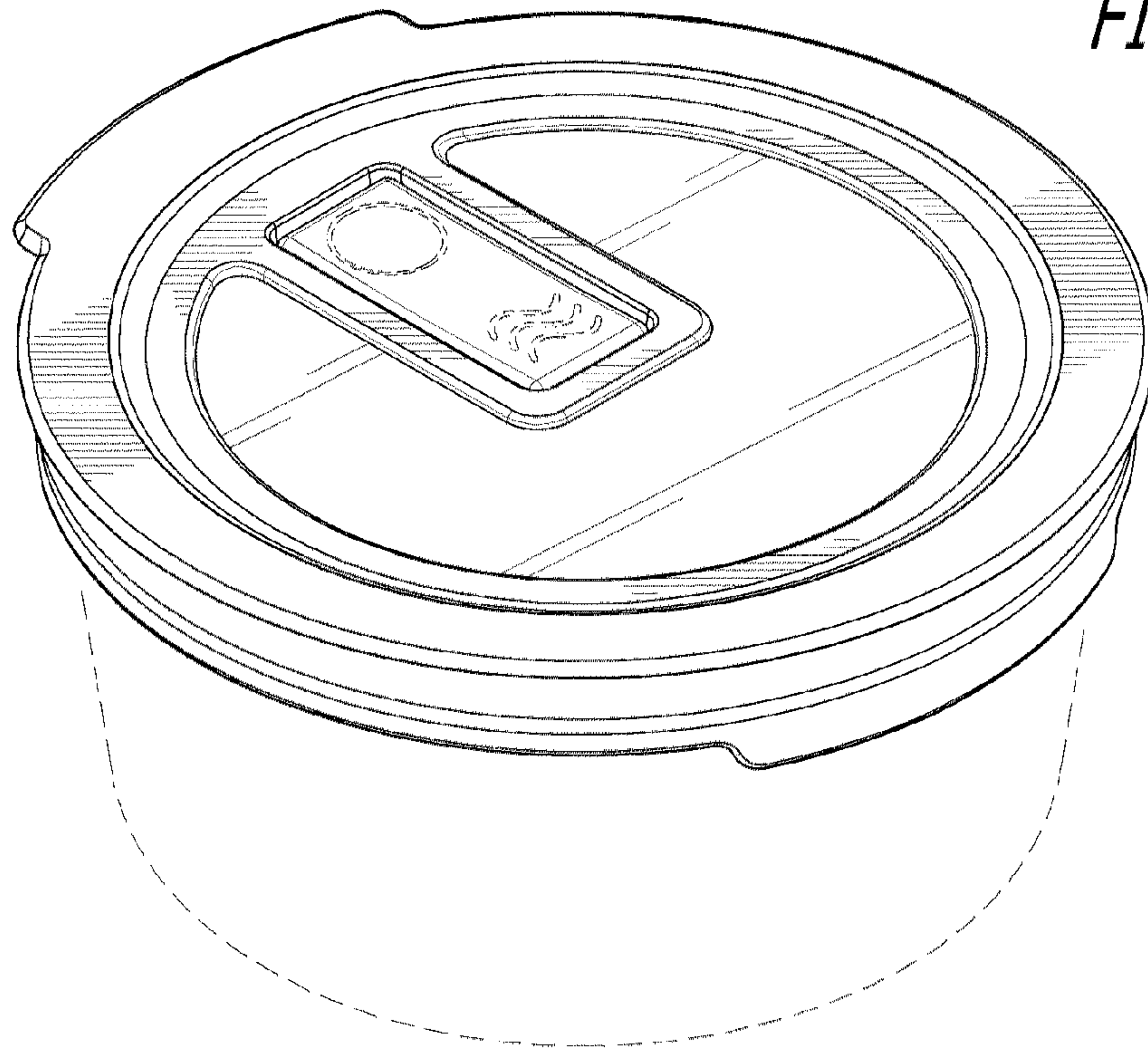
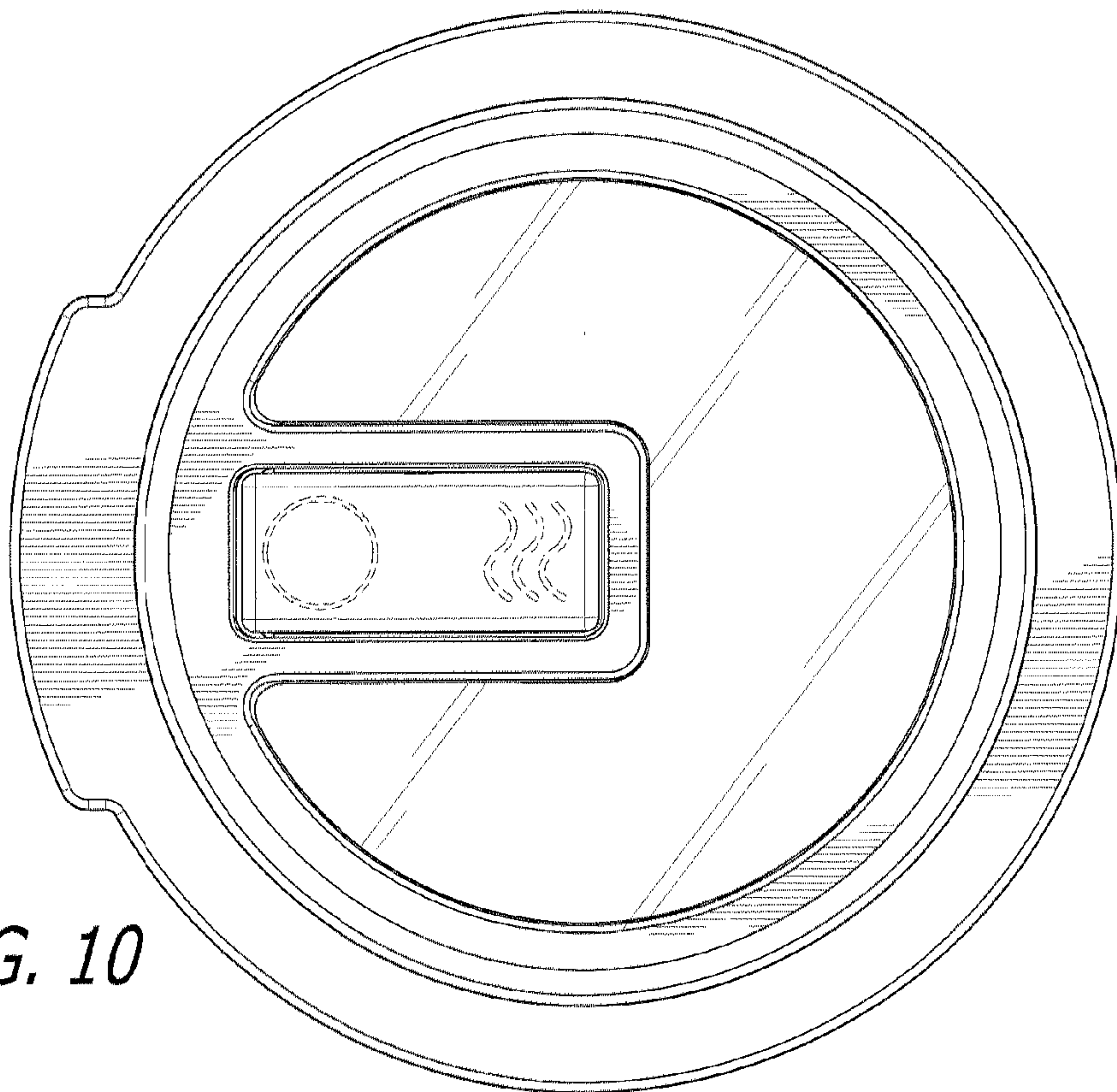


FIG. 10



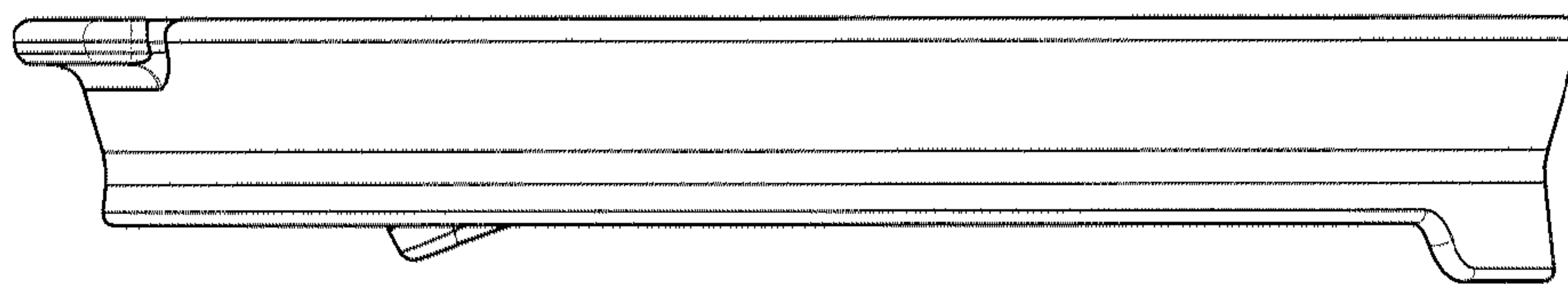


FIG. 11

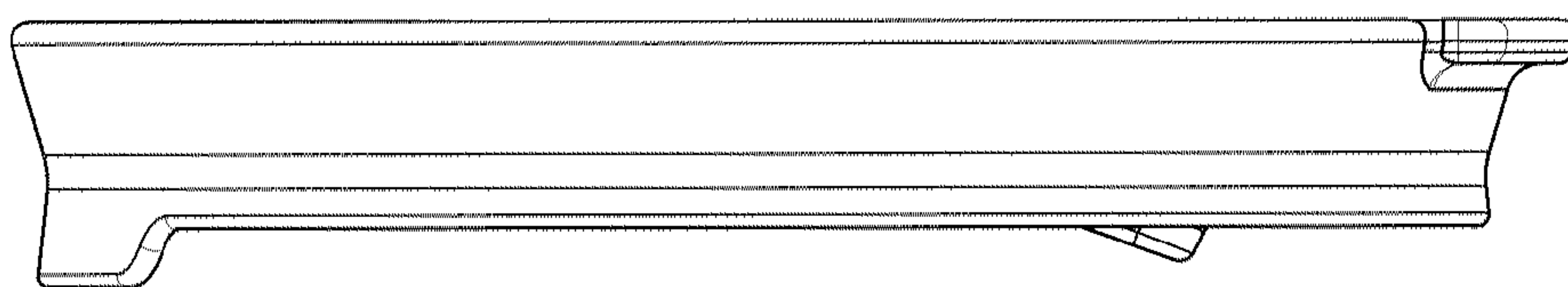


FIG. 12

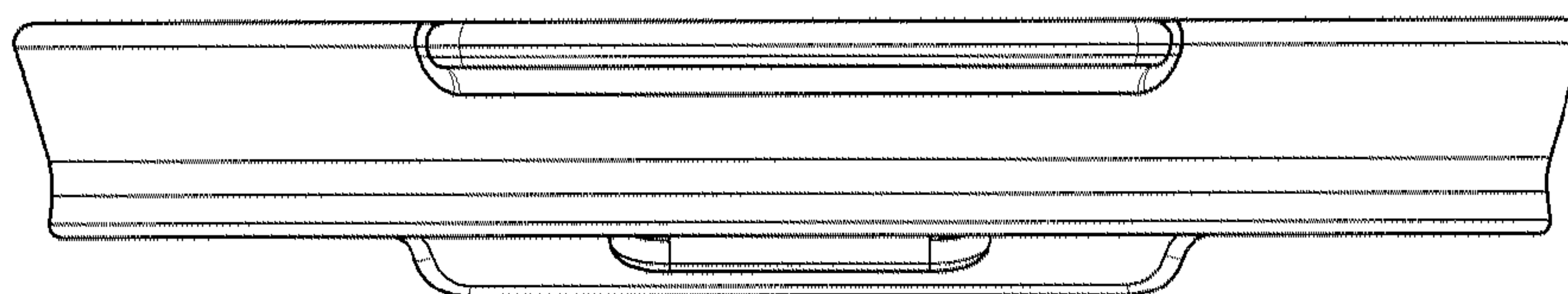


FIG. 13

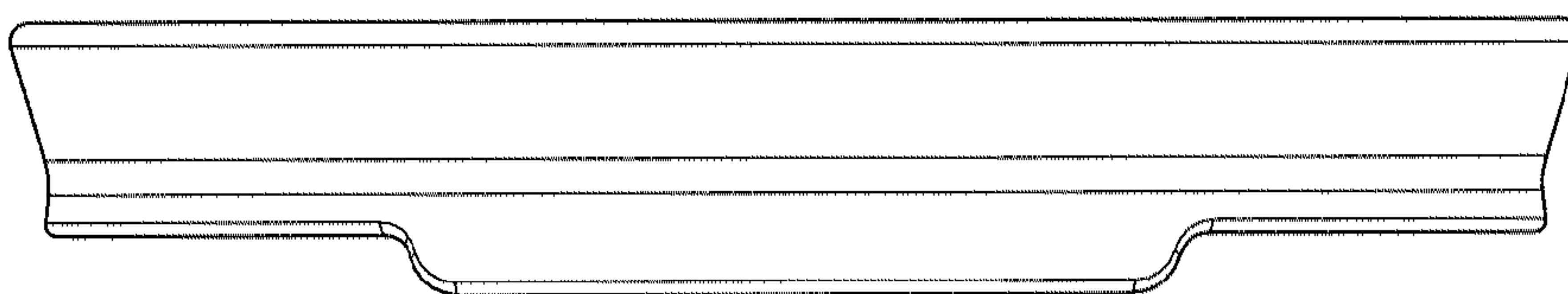


FIG. 14

FIG. 15

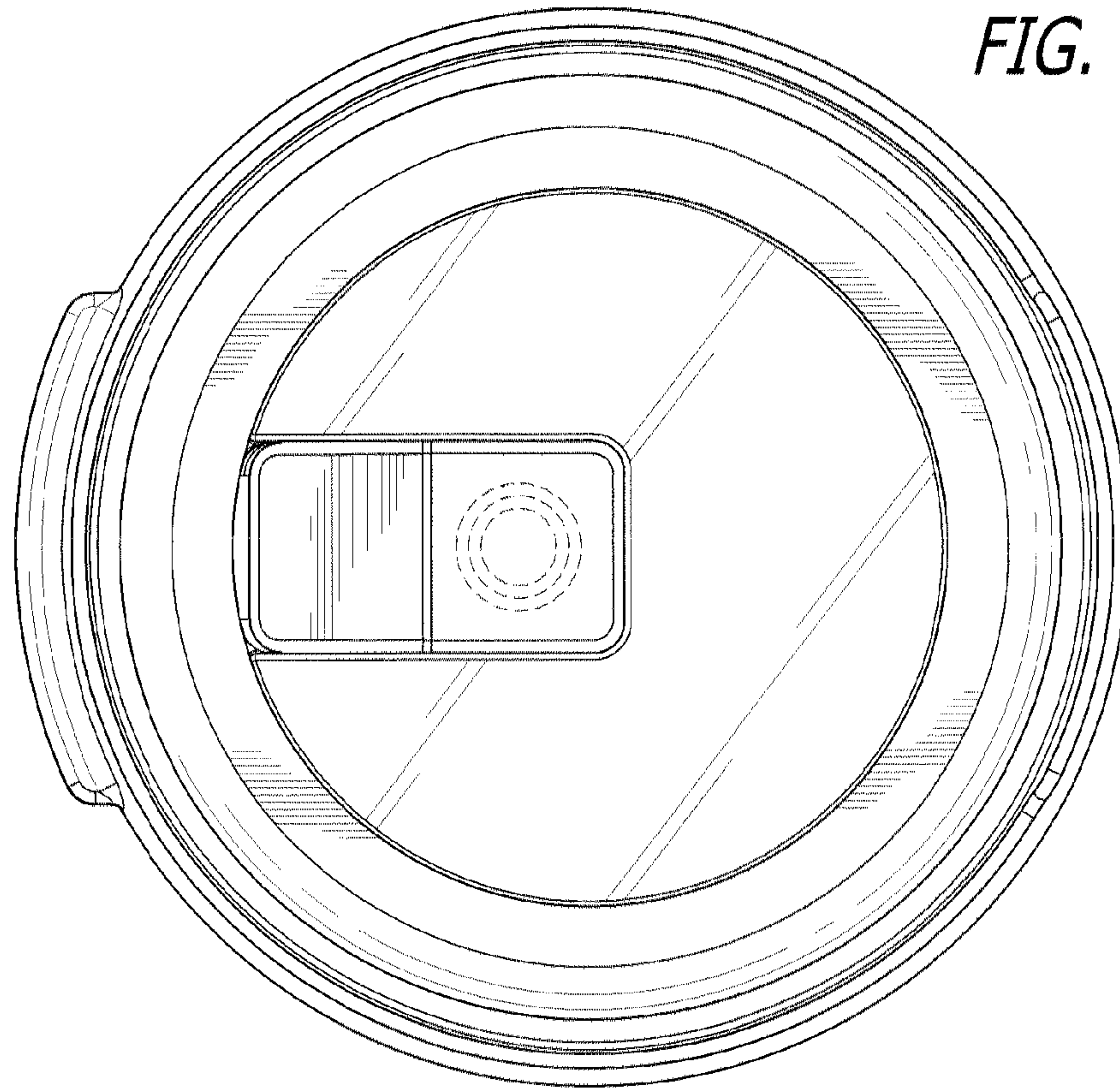


FIG. 16

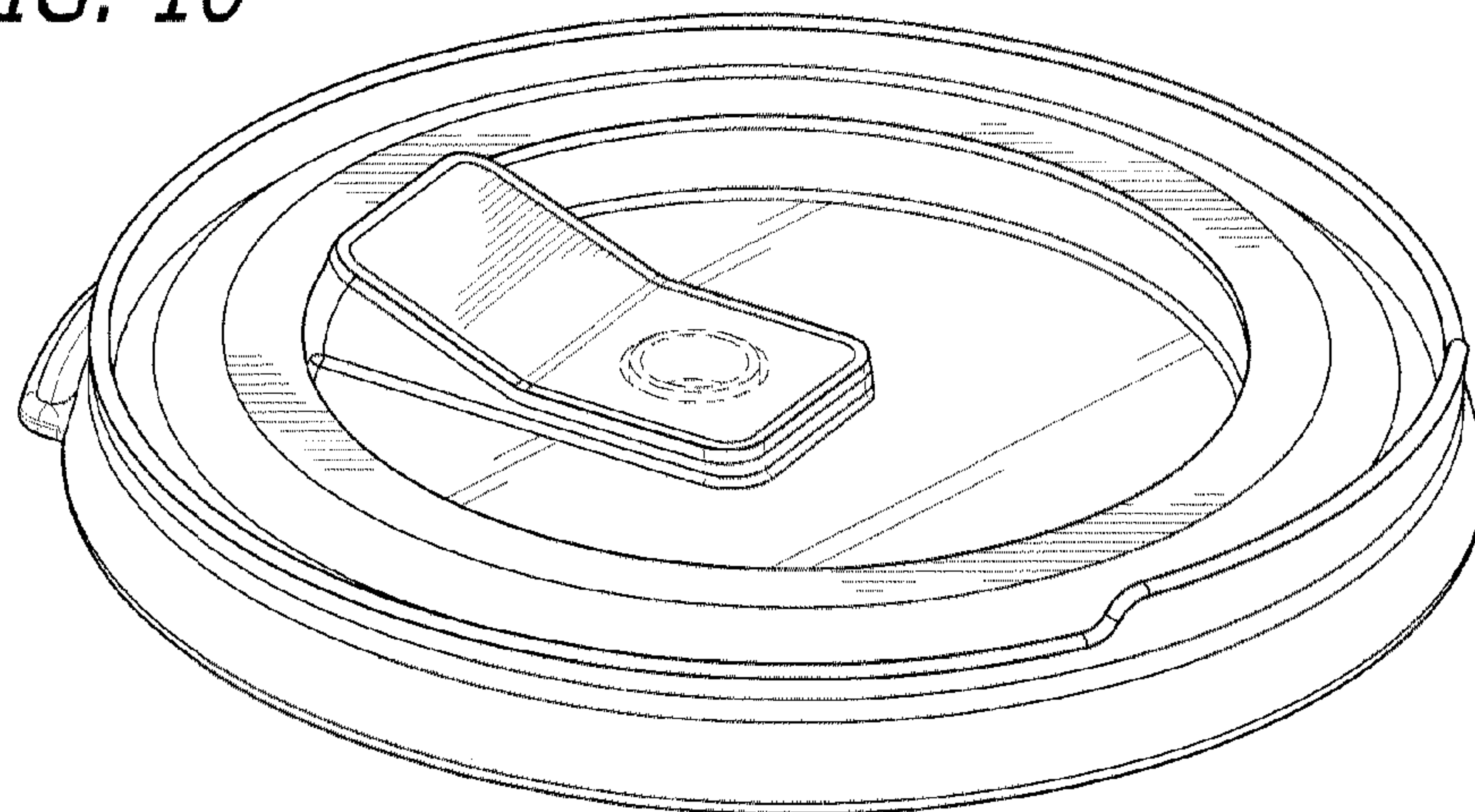


FIG. 17

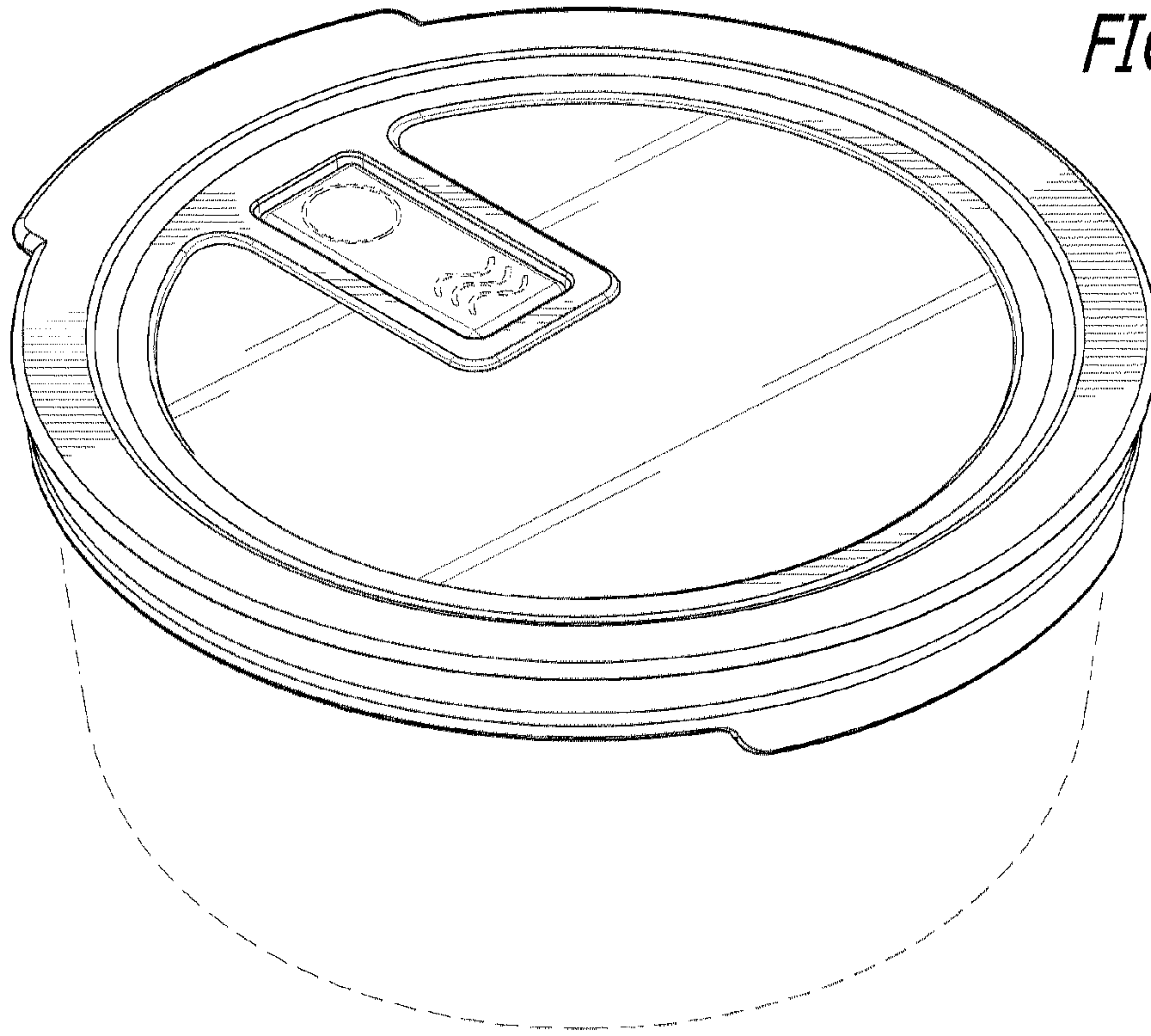


FIG. 18

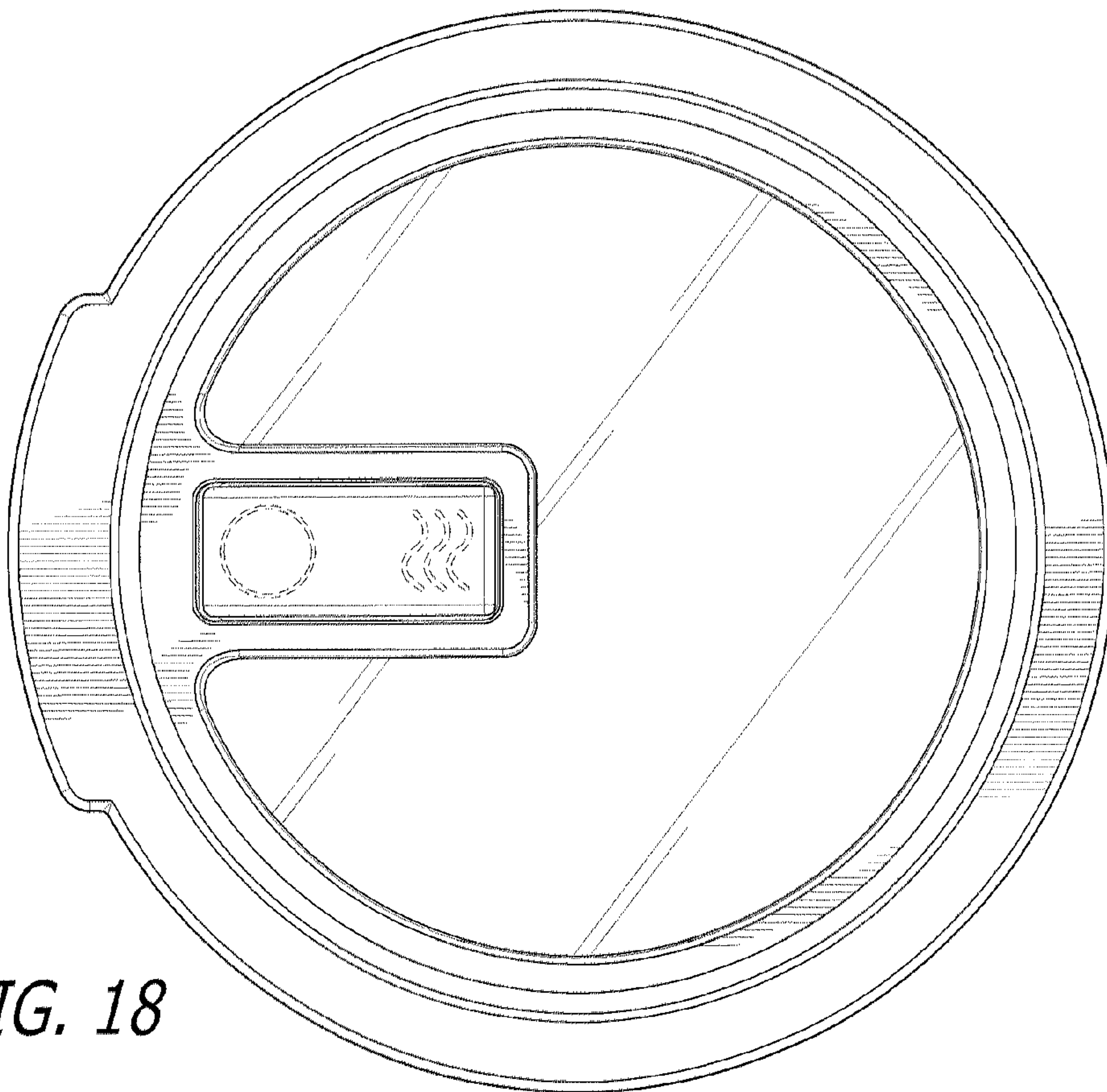




FIG. 19

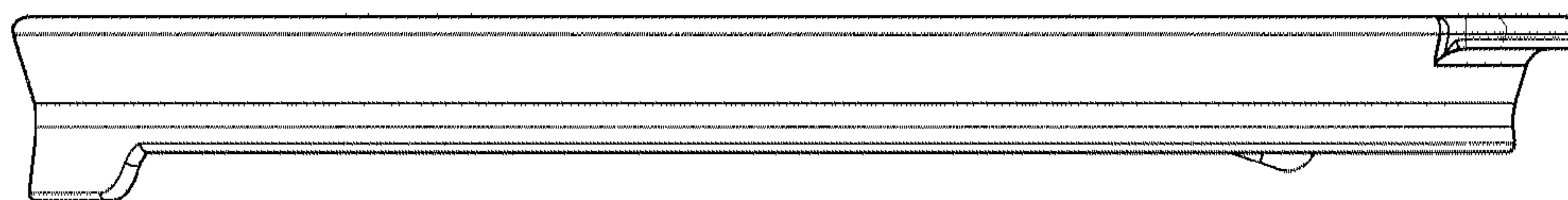


FIG. 20

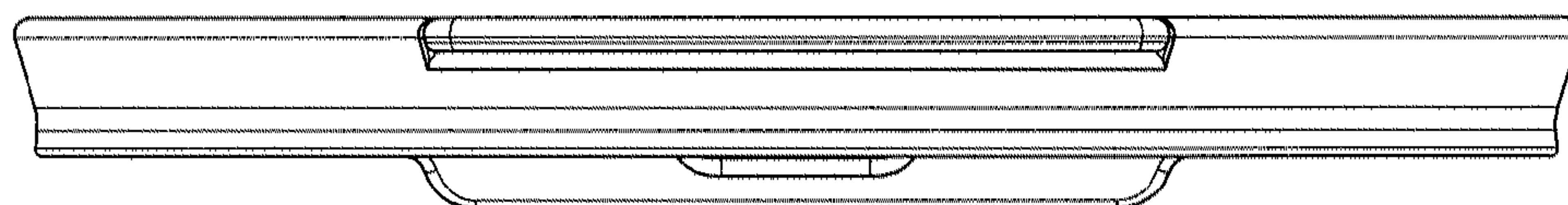


FIG. 21

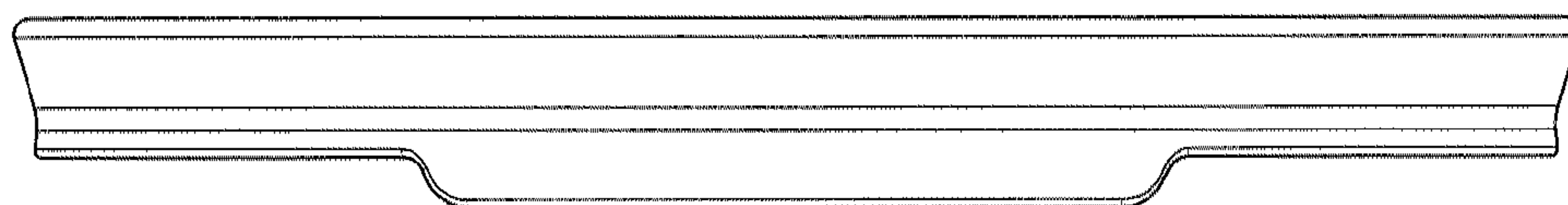


FIG. 22

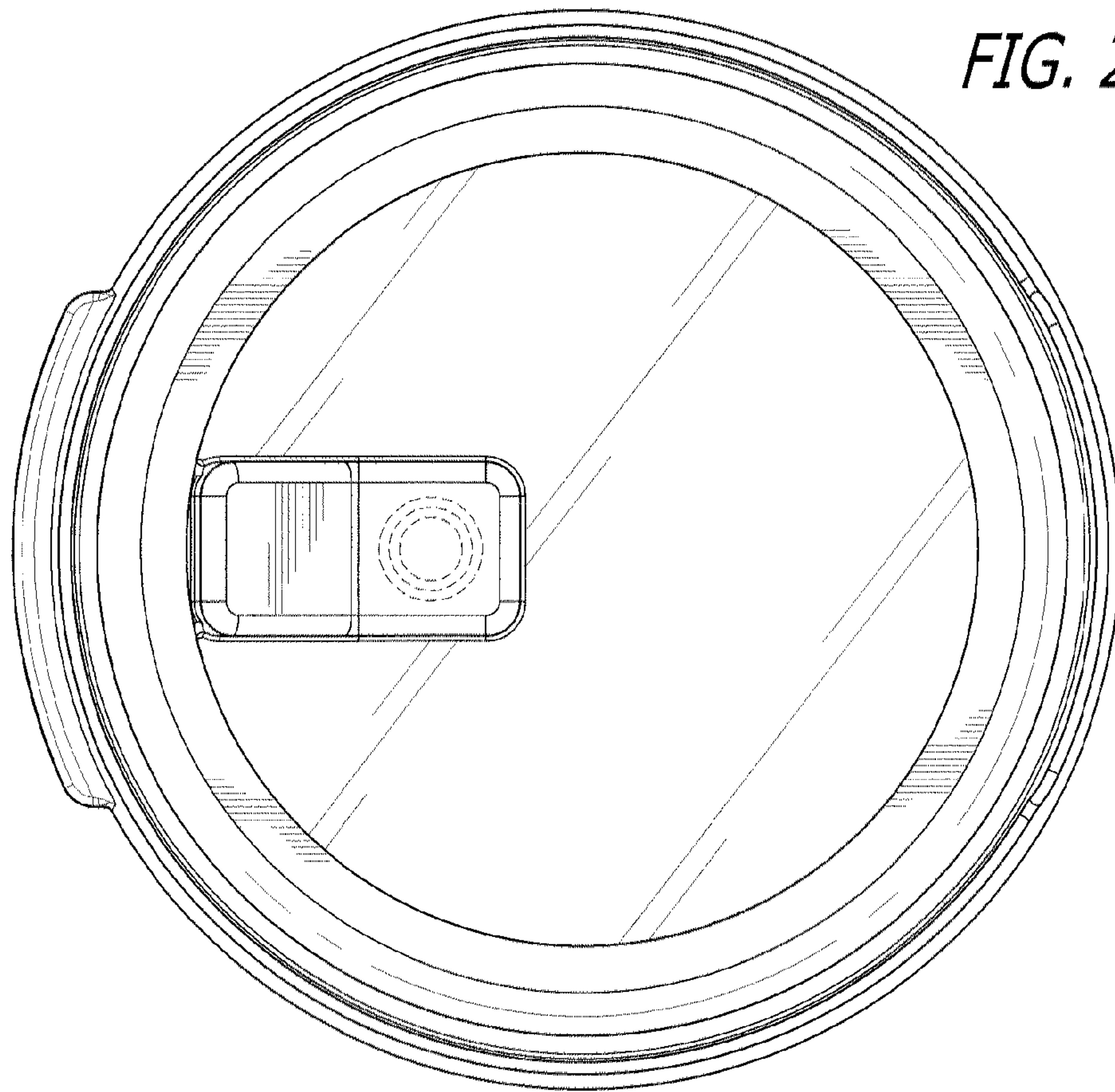


FIG. 23

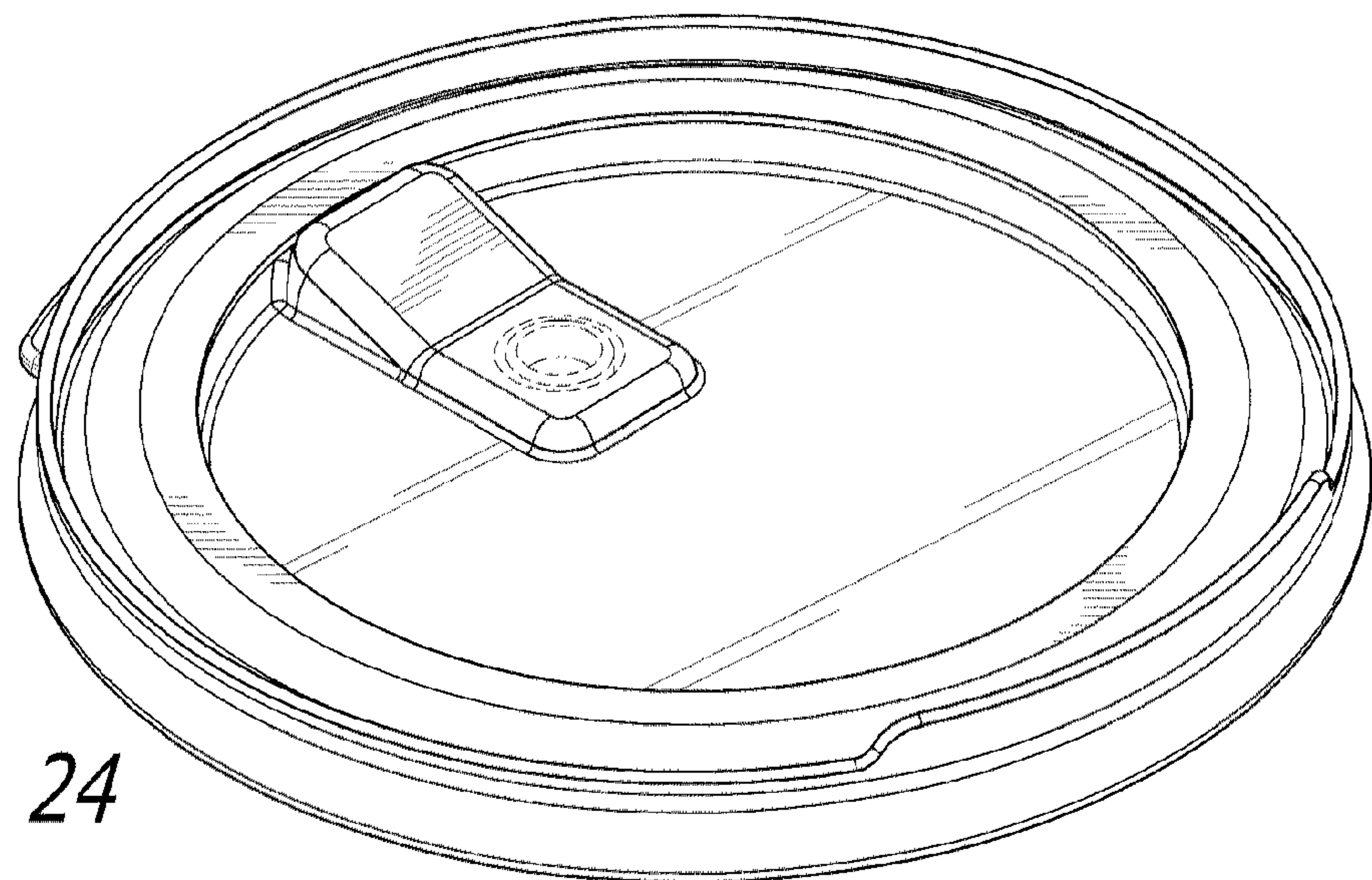


FIG. 24

FIG. 25

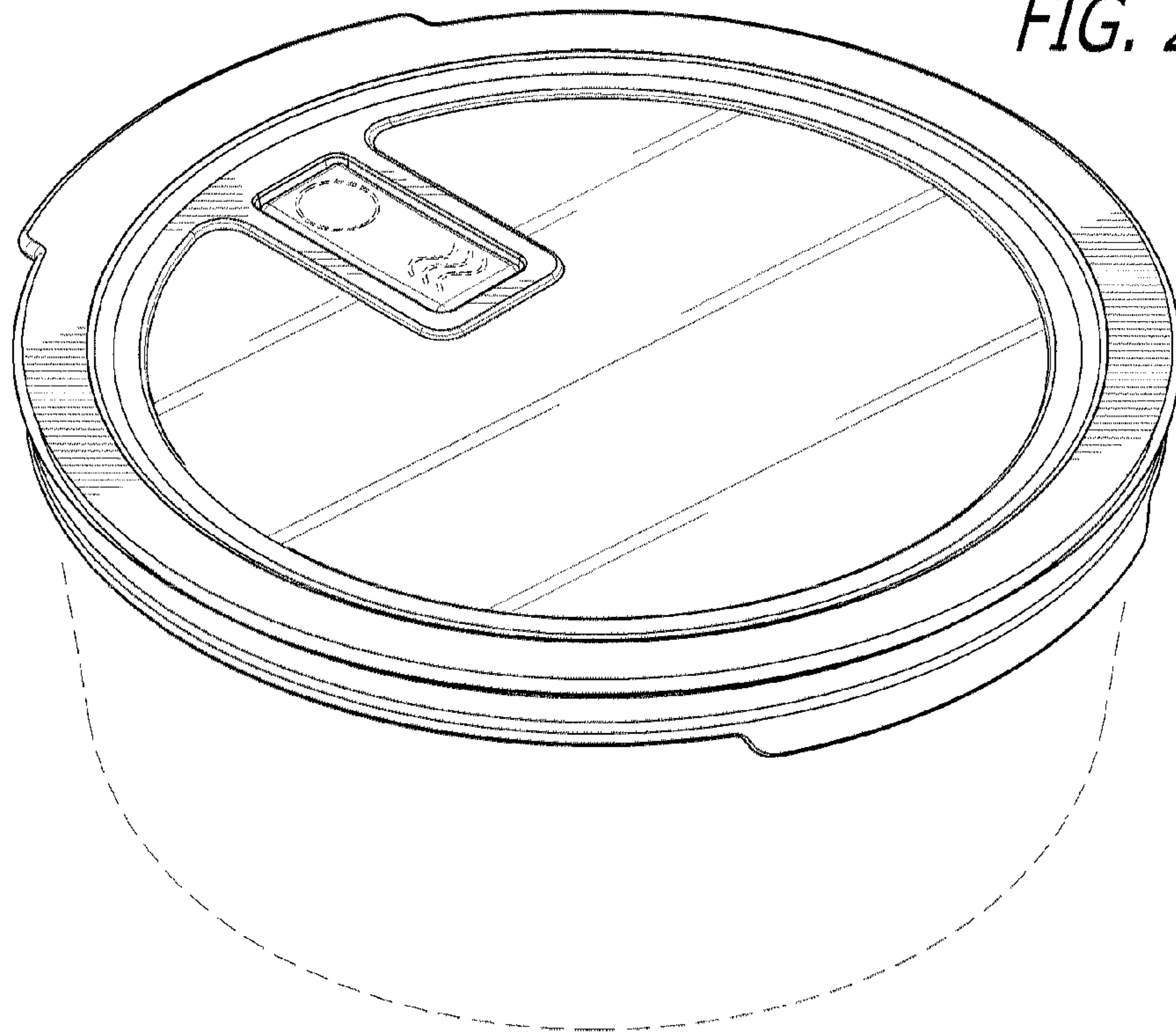
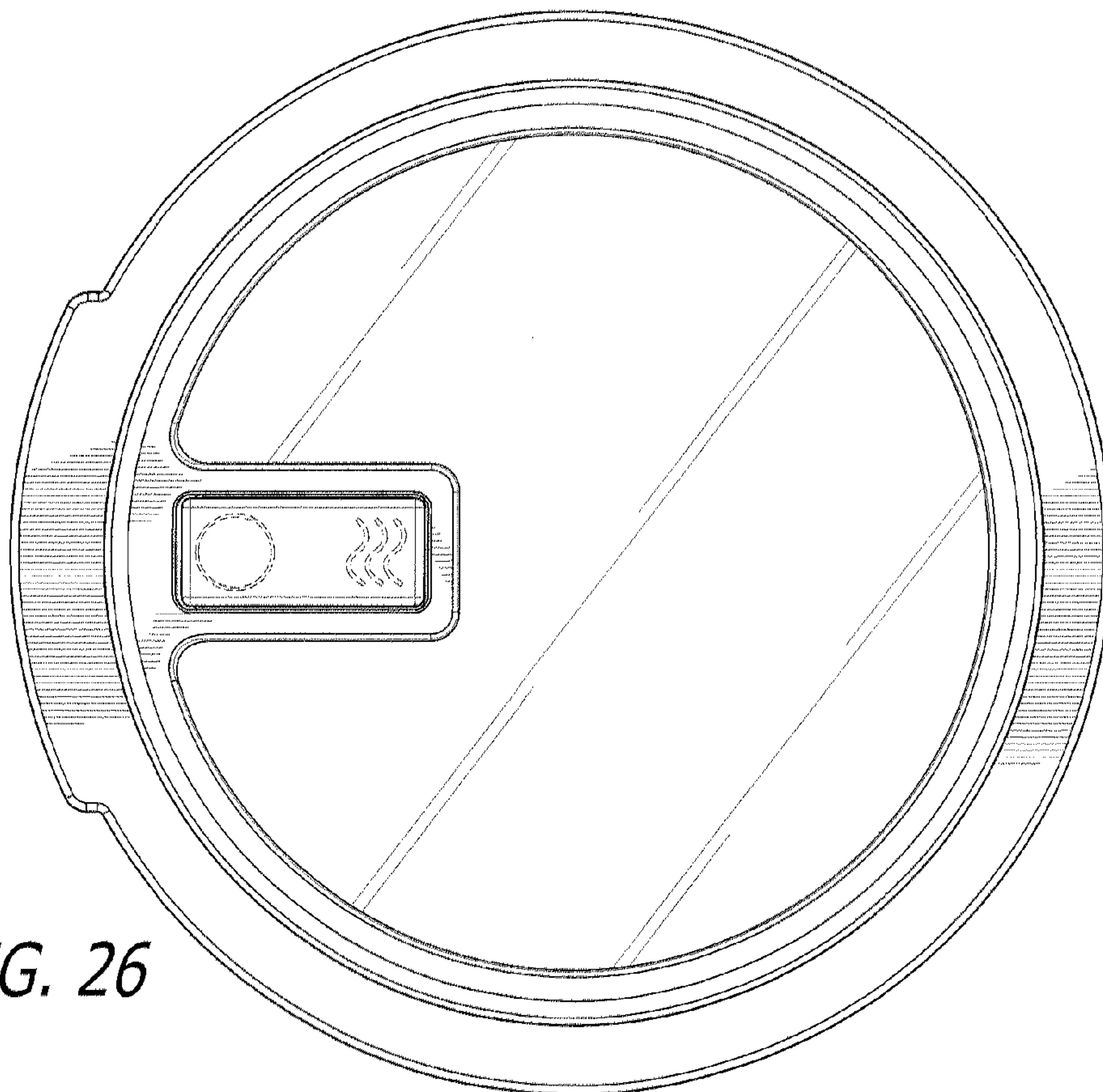


FIG. 26



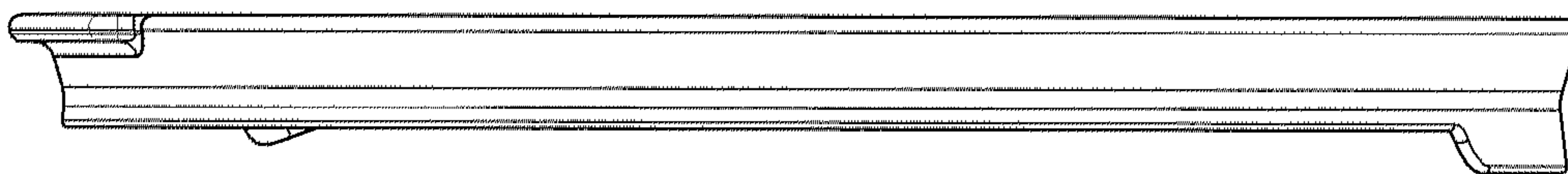


FIG. 27

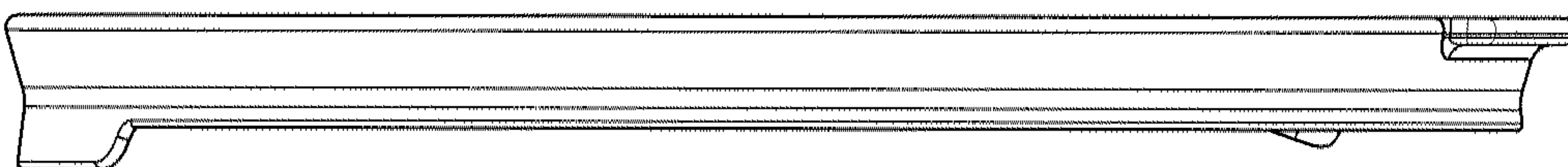


FIG. 28

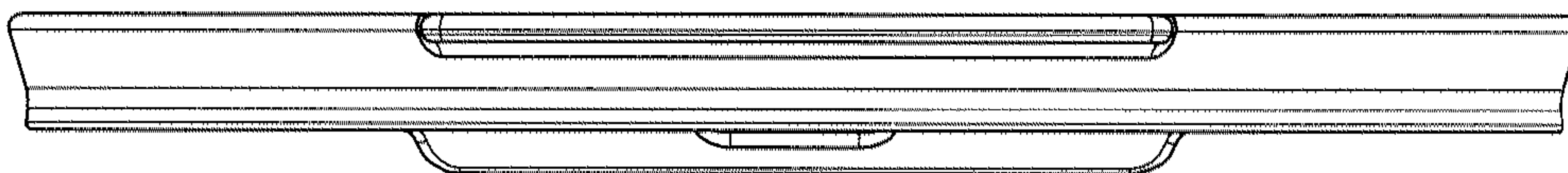


FIG. 29

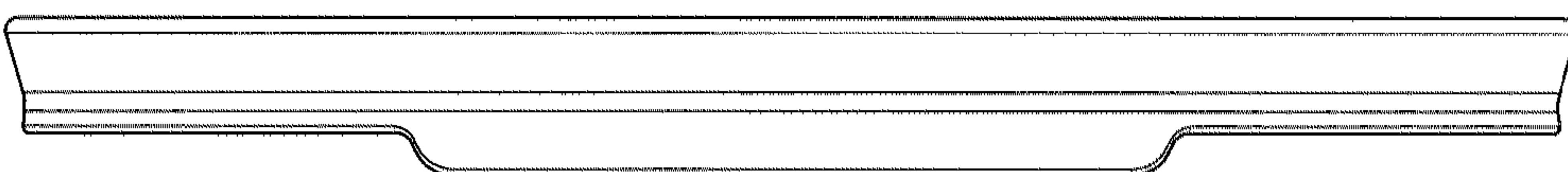


FIG. 30

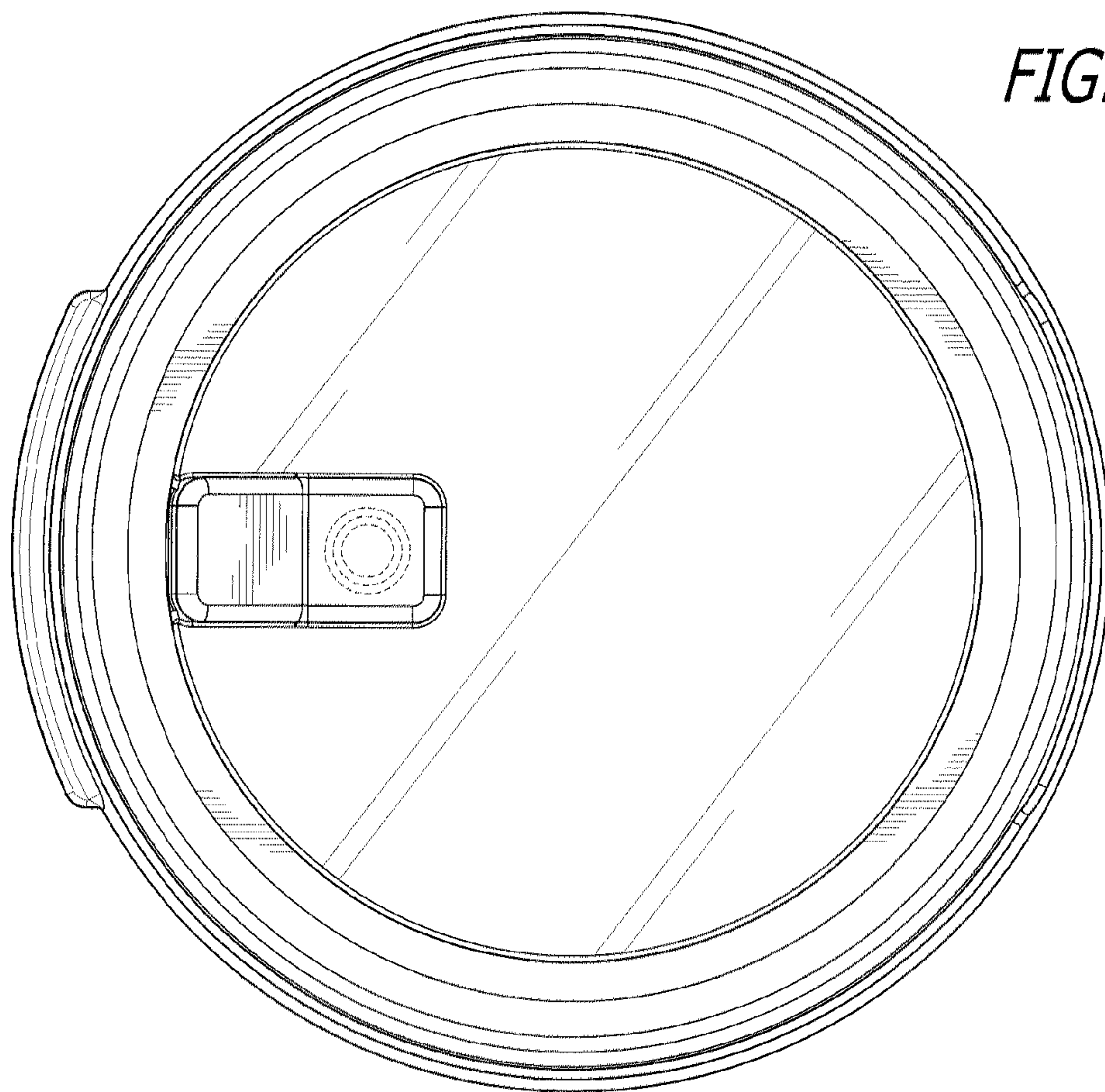


FIG. 31

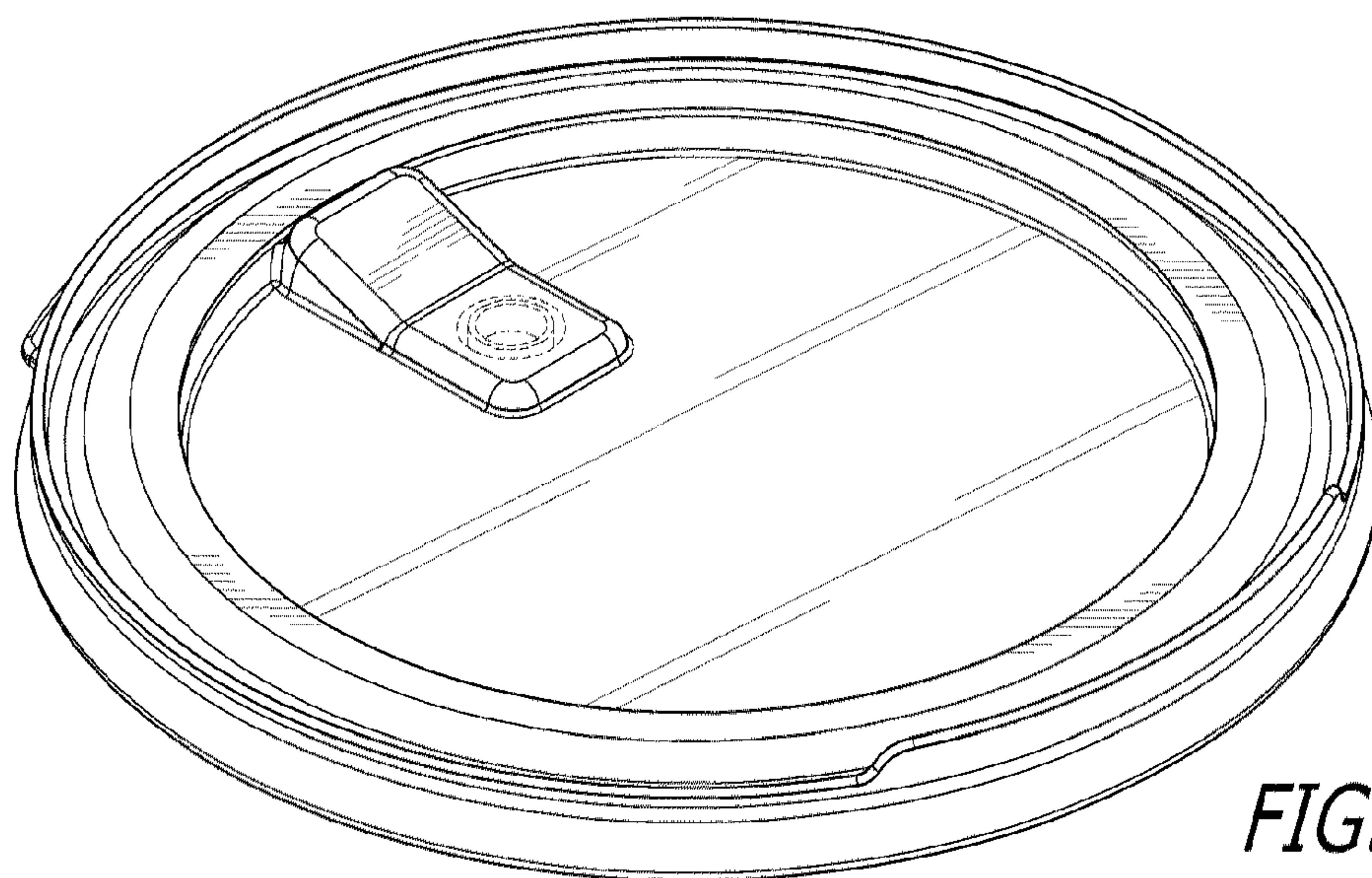


FIG. 32