



US00D673800S

(12) **United States Design Patent**
Young

(10) **Patent No.:** **US D673,800 S**

(45) **Date of Patent:** **** Jan. 8, 2013**

(54) **MATTRESS BED ENCASEMENT**
(75) Inventor: **Julian Young**, Zebulon, NC (US)
(73) Assignee: **Nomaco Inc.**, Zebulon, NC (US)

3,749,301 A 7/1973 Peckar
3,775,526 A 11/1973 Gilmore
3,822,426 A 7/1974 Mistarz
3,848,283 A 11/1974 Ikeda

(Continued)

(**) Term: **14 Years**

FOREIGN PATENT DOCUMENTS

GB 2095545 A 10/1982

(Continued)

(21) Appl. No.: **29/398,647**

(22) Filed: **Aug. 3, 2011**

OTHER PUBLICATIONS

(51) **LOC (9) Cl.** **09-09**

“Expandable Grids Made of Ethofoam Brand Polyethylene Foam,”
Ethofoam, Dec. 1997, 7 pages.

(52) **U.S. Cl.** **D6/606**

(Continued)

(58) **Field of Classification Search** D6/382,
D6/583, 595–601, 604–607; 5/99.1, 630,
5/632, 633, 636, 637, 639, 644, 646, 652,
5/655, 655.3, 655.9, 690, 691, 696, 702,
5/705, 706, 716, 717, 718, 727–730, 740;
D21/698, 803, 809; D24/183

See application file for complete search history.

Primary Examiner — Mary Ann Calabrese

(74) *Attorney, Agent, or Firm* — Withrow & Terranova,
PLLC

(57) **CLAIM**

The ornamental design for mattress bed encasement, as
shown and described.

(56) **References Cited**

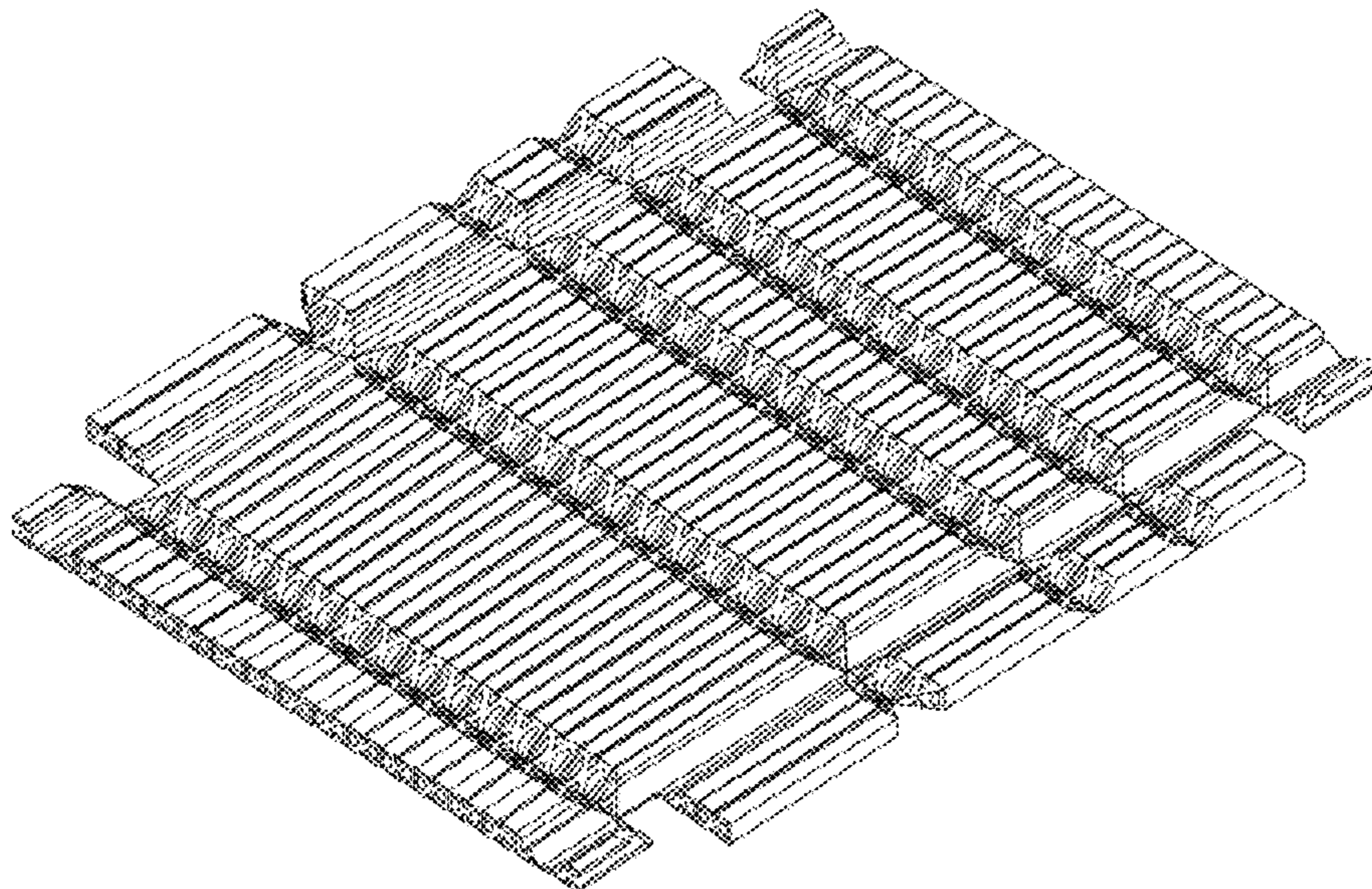
U.S. PATENT DOCUMENTS

554,580 A	2/1896	Conkwright
676,573 A	6/1901	Bowers
1,429,776 A	9/1922	Robinson
1,979,566 A	11/1934	Morse
D105,428 S	7/1937	Bahr
D136,717 S	11/1943	Moore et al.
2,337,525 A	12/1943	Peik
2,569,021 A	9/1951	Rozanski
2,615,577 A	10/1952	Bartleman
2,630,145 A	3/1953	Stevens
2,826,769 A	3/1958	Drews
2,940,089 A	6/1960	Koenigsberg
2,978,714 A	4/1961	Bechik
3,046,574 A	7/1962	Erenberg et al.
3,263,533 A	8/1966	Carlson
3,293,671 A	12/1966	Griffin
3,318,224 A	5/1967	Bohanon

DESCRIPTION

FIG. 1 is a top perspective view of a mattress bed encasement;
FIG. 2 is a top view of the mattress bed encasement in FIG. 1;
FIG. 3 is bottom perspective view of the mattress bed encase-
ment in FIG. 1;
FIG. 4 is a bottom view of the mattress bed encasement in
FIG. 1;
FIG. 5 is a front view of the mattress bed encasement in FIG.
1;
FIG. 6 is rear view of the mattress bed encasement in FIG. 1;
and,
FIG. 7 is a left side view of the mattress bed encasement in
FIG. 1, and the right side is identical thereto.

1 Claim, 7 Drawing Sheets



US D673,800 S

U.S. PATENT DOCUMENTS					
3,894,706	A	7/1975 Mizusawa	6,574,814	B2	6/2003 Collard et al.
D240,681	S	7/1976 Granatelli	6,612,525	B2	9/2003 Bagdi
D241,314	S	9/1976 Hug	6,658,682	B1	12/2003 Wells
D245,747	S	9/1977 Ikeda	6,684,434	B2	2/2004 Ellis et al.
4,121,005	A	10/1978 Roberts	6,721,981	B1	4/2004 Greenhalgh et al.
4,181,992	A	1/1980 Blake	6,772,463	B2	8/2004 Gladney et al.
4,207,636	A	6/1980 Ceriani	6,813,791	B2	11/2004 Mossbeck et al.
4,275,473	A	6/1981 Poirier	6,826,796	B1	12/2004 Mossbeck
D273,659	S	5/1984 Sakaguchi	6,832,397	B2	12/2004 Gaboury et al.
4,451,946	A	6/1984 Stumpf	6,862,763	B2	3/2005 Mossbeck et al.
4,821,988	A	4/1989 Jimenez	6,883,196	B2	4/2005 Barber
4,907,309	A	3/1990 Breckle	6,898,813	B2	5/2005 Grothaus
4,915,662	A	4/1990 Kent	D506,385	S	6/2005 Brown
D307,688	S	5/1990 Schaefer	6,954,957	B2	10/2005 Metzger et al.
D307,690	S	5/1990 Raburn	6,966,090	B2	11/2005 McClintock et al.
D310,313	S	9/1990 Afeyan	6,966,091	B2	11/2005 Barber
4,998,310	A	3/1991 Olson	7,017,205	B2	3/2006 Gladney
5,005,793	A	4/1991 Shillington	7,028,352	B2	4/2006 Kramer et al.
5,039,366	A	8/1991 Strattman	7,036,173	B2	5/2006 Gladney
5,040,255	A	8/1991 Barber, Jr.	7,044,557	B2	5/2006 Wieland
5,048,167	A	9/1991 Heffley et al.	7,082,635	B2	8/2006 Barman et al.
D322,907	S *	1/1992 Raburn D6/596	7,093,858	B1	8/2006 Russell
5,115,524	A *	5/1992 Antosko 5/99.1	7,127,765	B2	10/2006 Ruiz
5,133,116	A	7/1992 Wagner et al.	7,165,282	B2	1/2007 Watson
5,195,197	A	3/1993 Gutierrez et al.	D537,331	S	2/2007 Hill
5,239,715	A	8/1993 Wagner	7,178,187	B2	2/2007 Barman et al.
5,398,820	A	3/1995 Kiss	7,185,379	B2	3/2007 Barman
5,415,370	A	5/1995 Valiulis	7,185,770	B1	3/2007 Roten
D363,016	S	10/1995 Sipprelle, III et al.	7,194,777	B2	3/2007 Edling et al.
5,456,437	A	10/1995 Chander et al.	7,210,181	B1	5/2007 Price
5,462,212	A	10/1995 Hertel, Jr.	7,251,847	B2	8/2007 Wells
5,467,488	A	11/1995 Wagner	D569,160	S	5/2008 Mossbeck
5,469,590	A	11/1995 Simon	D581,715	S	12/2008 Scheuch
5,491,852	A *	2/1996 Maucher 5/730	D583,607	S *	12/2008 Hanson et al. D6/607
5,537,699	A	7/1996 Bonaddio et al.	7,546,648	B2	6/2009 Steffes
D376,309	S	12/1996 Takai	7,597,296	B2	10/2009 Conway
5,642,557	A	7/1997 Clews	7,608,782	B2	10/2009 Hill
5,687,439	A	11/1997 Wagner	7,644,461	B2	1/2010 Lee
5,705,252	A	1/1998 Lea et al.	D612,188	S	3/2010 Yiannaki
5,724,686	A	3/1998 Neal	7,685,664	B2	3/2010 Stolpmann et al.
5,743,497	A	4/1998 Michael	7,805,790	B2	10/2010 DeMoss
5,756,022	A	5/1998 Siegel et al.	7,841,031	B2	11/2010 Rawls-Meehan
5,787,532	A	8/1998 Langer et al.	7,845,035	B2	12/2010 Letton et al.
5,792,309	A	8/1998 Eto	7,845,036	B2	12/2010 Rinchetti
5,815,865	A	10/1998 Washburn et al.	7,865,988	B2	1/2011 Koughan et al.
5,861,205	A	1/1999 Murata et al.	D636,622	S *	4/2011 Quinter et al. D6/595
D406,051	S	2/1999 Ross	D640,535	S	6/2011 Austro
5,924,682	A	7/1999 Bullard	D642,413	S *	8/2011 Rinehart D6/606
D413,035	S	8/1999 Weterrings et al.	D642,847	S	8/2011 Rinehart
5,987,678	A	11/1999 Ayers	7,992,712	B2	8/2011 Rosland
D417,612	S	12/1999 Jones	8,001,638	B1 *	8/2011 Quinter et al. 5/722
6,003,179	A	12/1999 Farley	D648,211	S	11/2011 Weaver et al.
D418,354	S *	1/2000 O'Rourke D6/583	D653,895	S	2/2012 Reisenhus
6,023,803	A	2/2000 Barman	D665,449	S	8/2012 Guirlinger
6,026,525	A *	2/2000 Davis 5/99.1	8,250,689	B2	8/2012 Gladney
6,109,569	A	8/2000 Sakaida	2002/0069462	A1	6/2002 Gaboury et al.
6,122,787	A	9/2000 Kao	2003/0074736	A1	4/2003 Grothaus
D432,404	S	10/2000 Garfinkle	2003/0079284	A1	5/2003 Gaboury et al.
6,154,908	A	12/2000 Wells	2003/0173814	A1	9/2003 Wieland et al.
D436,772	S	1/2001 Soderstrom	2004/0128761	A1	7/2004 Gaboury et al.
6,243,894	B1	6/2001 Kosumsuppamala et al.	2004/0128773	A1	7/2004 Barber
6,260,331	B1	7/2001 Stumpf	2004/0133988	A1	7/2004 Barber
6,263,533	B1	7/2001 Dimitry et al.	2004/0182802	A1	9/2004 Paul
6,286,166	B1	9/2001 Henley et al.	2004/0187217	A1	9/2004 Barman et al.
6,295,676	B1	10/2001 Warner	2004/0261186	A1	12/2004 Gladney
6,306,235	B1	10/2001 Henderson	2005/0015884	A1	1/2005 Conaway et al.
6,315,275	B1	11/2001 Zysman	2005/0028275	A1	2/2005 Hooper, Jr.
D454,740	S	3/2002 Baggott	2005/0204475	A1	9/2005 Schmitz et al.
6,353,952	B1	3/2002 Wells	2005/0246839	A1	11/2005 Niswonger
D456,197	S *	4/2002 McClure et al. D6/596	2005/0251920	A1	11/2005 Ahn
6,370,717	B1	4/2002 Kao	2005/0262642	A1	12/2005 Miller
6,398,199	B1	6/2002 Barber	2006/0031995	A1	2/2006 Barkhouse
D467,117	S *	12/2002 Guy D6/596	2006/0042016	A1	3/2006 Barman et al.
6,488,031	B1	12/2002 Sells, II	2006/0260062	A1	11/2006 Barman et al.
6,496,993	B2	12/2002 Allen et al.	2007/0118987	A1	5/2007 Gladney et al.
6,523,812	B1	2/2003 Spinks et al.	2008/0040861	A1 *	2/2008 Ootayopas 5/715
6,537,405	B1	3/2003 Henderson et al.	2008/0115288	A1	5/2008 Poulos
6,568,014	B1	5/2003 Sabalasky et al.	2009/0000030	A1	1/2009 Hicks et al.
			2009/0011203	A1	1/2009 Mock et al.

US D673,800 S

Page 3

2009/0013476	A1	1/2009	Rinchetti	Non-final Office Action mailed Oct. 12, 2011 for U.S. Appl. No. 12/455,968, 12 pages.
2009/0025150	A1	1/2009	Smalling et al.	Notice of Allowance mailed Dec. 31, 2009 for U.S. Appl. No. 29/342,503, 4 pages.
2009/0031502	A1	2/2009	Berrcocal et al.	Non-final Office Action mailed Sep. 13, 2011 for U.S. Appl. No. 12/386,584, 18 pages.
2009/0100606	A1	4/2009	An	Notice of Allowance mailed May 9, 2012, for U.S. Appl. No. 29/398,649, 8 pages.
2009/0106894	A1	4/2009	Yeo	Notice of Allowance for U.S. Appl. No. 29/342,503 mailed Dec. 16, 2009, 6 pages.
2009/0139033	A1	6/2009	Gladney	Non-final Office Action for U.S. Appl. No. 12/386,584 mailed Feb. 3, 2012, 17 pages.
2009/0294623	A1	12/2009	Pinchuk	Non-final Office Action for U.S. Appl. No. 13/418,649 mailed May 15, 2012, 15 pages.
2010/0071136	A1	3/2010	Weber	Notice of Allowance for U.S. Appl. No. 12/455,968 mailed Jul. 23, 2012, 7 pages.
2010/0077552	A1	4/2010	Malikhin et al.	Non-final Office Action for U.S. Appl. No. 12/870,316 mailed Aug. 21, 2012, 12 pages.
2010/0319137	A1	12/2010	Witherell et al.	Notice of Allowance for U.S. Appl. No. 29/398,649 mailed Aug. 29, 2012, 6 pages.
2010/0325806	A1	12/2010	Letton et al.	Quayle Action for U.S. Appl. No. 29/361,180 mailed Sep. 13, 2012, 11 pages.
2011/0049327	A1	3/2011	Young et al.	Notice of Allowance for U.S. Appl. No. 29/403,050 mailed Sep. 28, 2012, 8 pages.
2011/0179579	A1	7/2011	Henderson et al.	
2011/0197368	A1	8/2011	Tarazona De La Asuncion et al.	
2012/0167312	A1	7/2012	Sobran et al.	
2012/0180224	A1	7/2012	Demoss et al.	

FOREIGN PATENT DOCUMENTS

GB	2154443	A	9/1985
WO	2009014657	A1	1/2009
WO	2010117352	A1	10/2010

OTHER PUBLICATIONS

Final Office Action mailed Nov. 8, 2010 for U.S. Appl. No. 12/455,968, 13 pages.

Non-final Office Action mailed May 26, 2010 for U.S. Appl. No. 12/455,968, 13 pages.

* cited by examiner

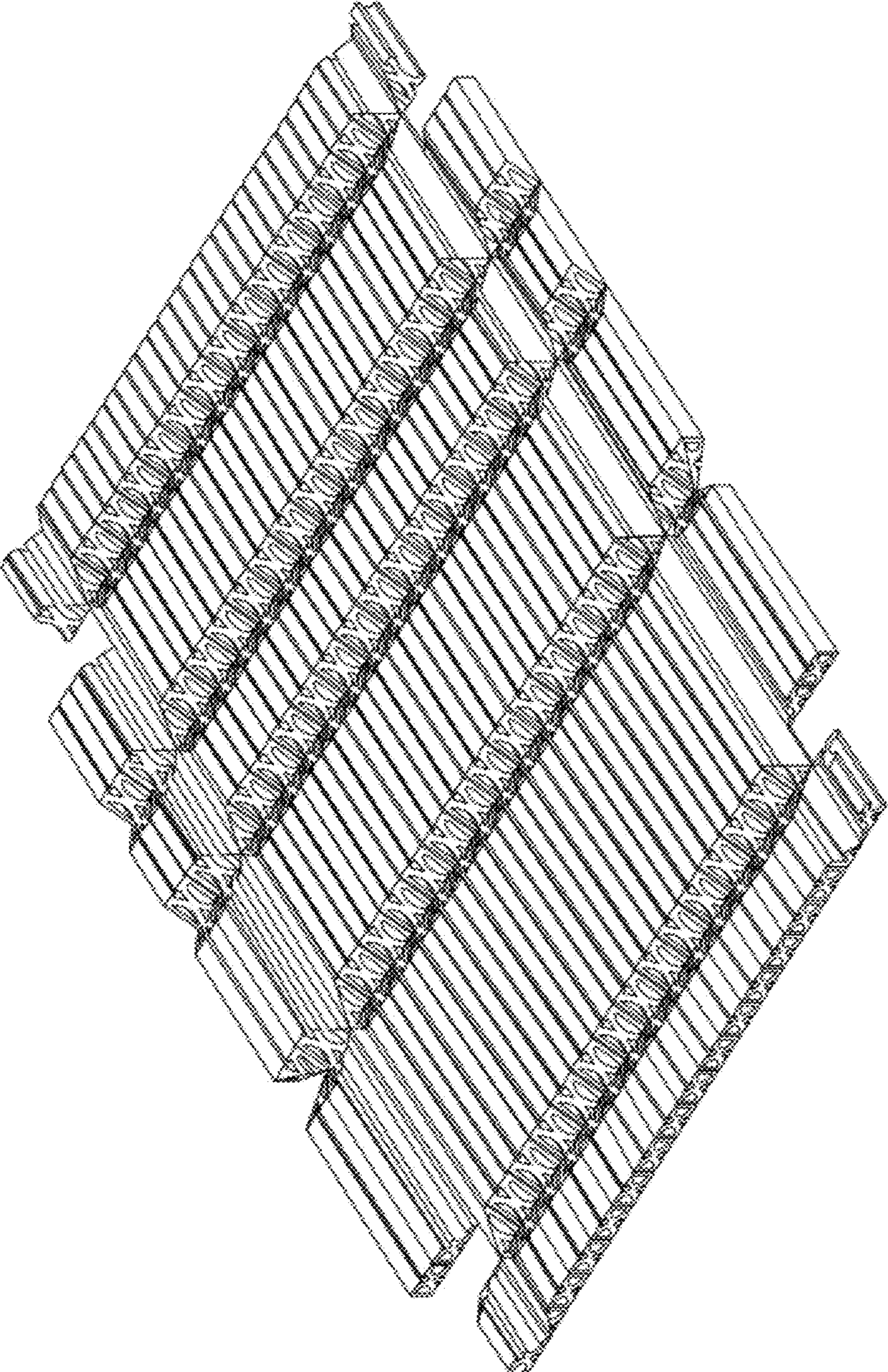


FIG. 1

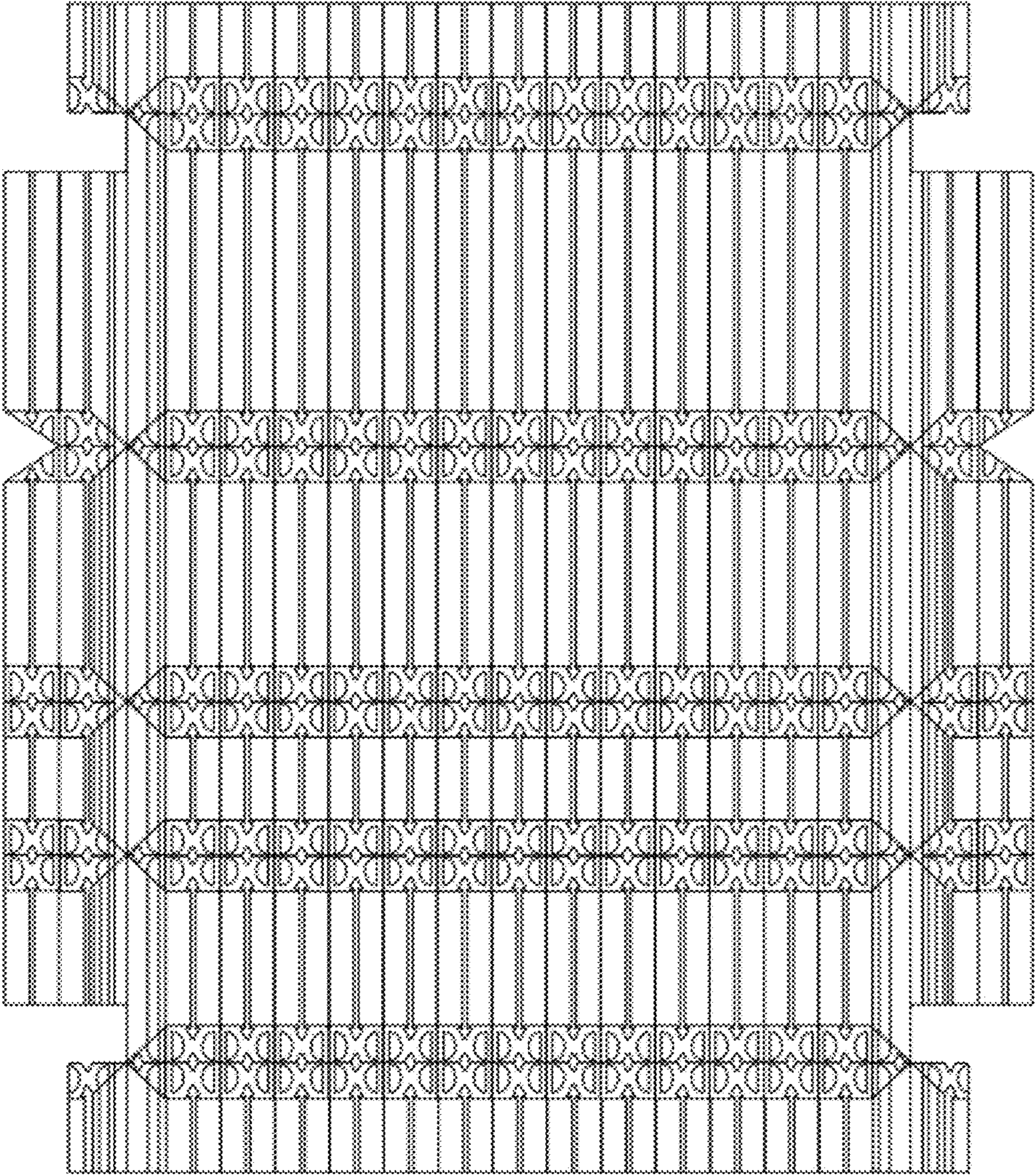


FIG. 2

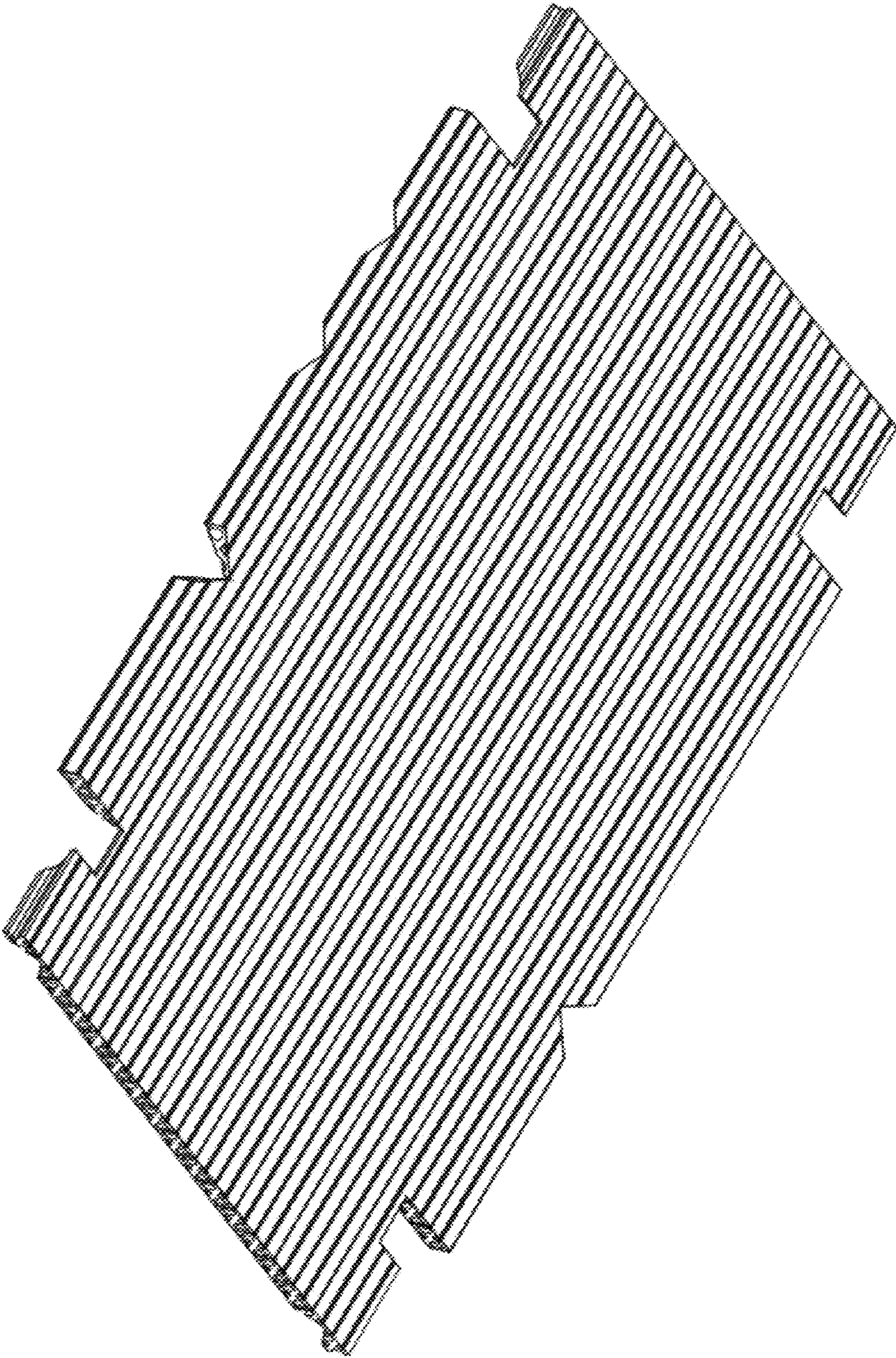


FIG. 3

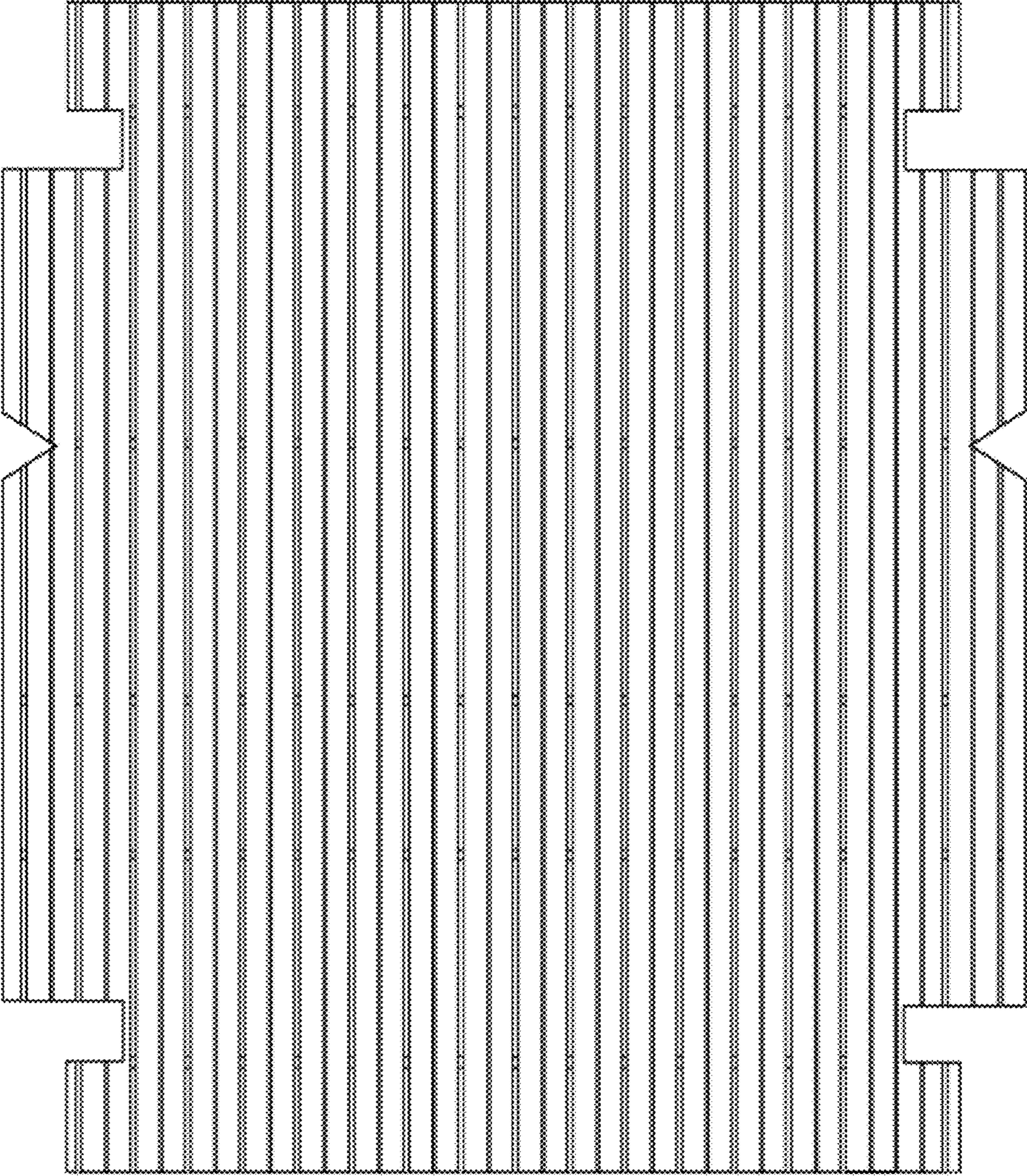


FIG. 4



FIG. 5



FIG. 6



FIG. 7