



US00D673798S

(12) **United States Design Patent**
Rushlow

(10) **Patent No.:** **US D673,798 S**
(45) **Date of Patent:** **** *Jan. 8, 2013**

(54) **HOLDER**

(76) Inventor: **Mark Micharl Rushlow**, Livonia, MI
(US)

(*) Notice: This patent is subject to a terminal disclaimer.

(**) Term: **14 Years**

(21) Appl. No.: **29/395,494**

(22) Filed: **Jan. 30, 2012**

(51) **LOC (9) Cl.** **06-06**

(52) **U.S. Cl.** **D6/513; D6/574**

(58) **Field of Classification Search** D6/518-524,
D6/548-550, 556, 572, 574, 513-514; D8/300,
D8/303, 315-321, 349, 354, 363, 373, 380;
108/28-29; 211/13.1, 16, 60.1, 100, 86.01,
211/87.01, 88.01, 88.04, 105.1-105.2, 123,
211/182, 181.1; 248/176, 176.1, 251, 302,
248/309.1; 16/110.1, 412, 415; 242/570,
242/590, 595-598

See application file for complete search history.

(56) **References Cited**

U.S. PATENT DOCUMENTS

D260,832	S	*	9/1981	Verdesca et al.	D6/572
D285,508	S	*	9/1986	Murphy	D6/574
D305,632	S	*	1/1990	Kraklio	D6/556
D310,459	S	*	9/1990	Gipe	D6/556
D318,390	S	*	7/1991	Murray	D6/513
D604,981	S	*	12/2009	Frank et al.	D6/574

* cited by examiner

Primary Examiner — Brian N Vinson

(74) *Attorney, Agent, or Firm* — John G. Chupa

(57) **CLAIM**

The ornamental design for a holder, as shown and described.

DESCRIPTION

FIG. 1 is a top, front, and left side perspective view of a holder showing my new design;

FIG. 2 is a front elevational view thereof;

FIG. 3 is a left side elevational view thereof;

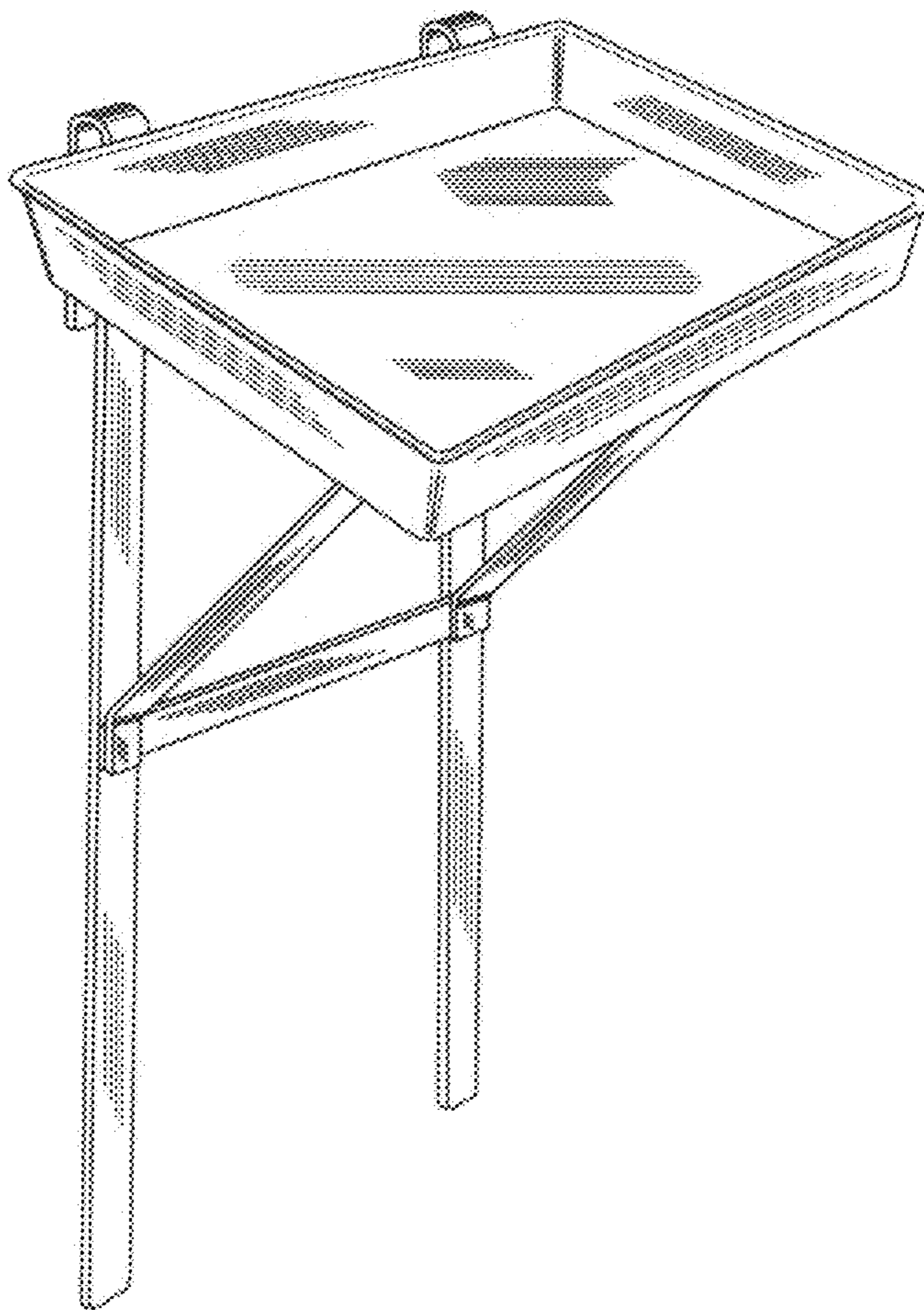
FIG. 4 is a right side elevational view thereof;

FIG. 5 is a rear elevational view thereof;

FIG. 6 is a top plan view thereof; and,

FIG. 7 is a bottom plan view thereof.

1 Claim, 4 Drawing Sheets



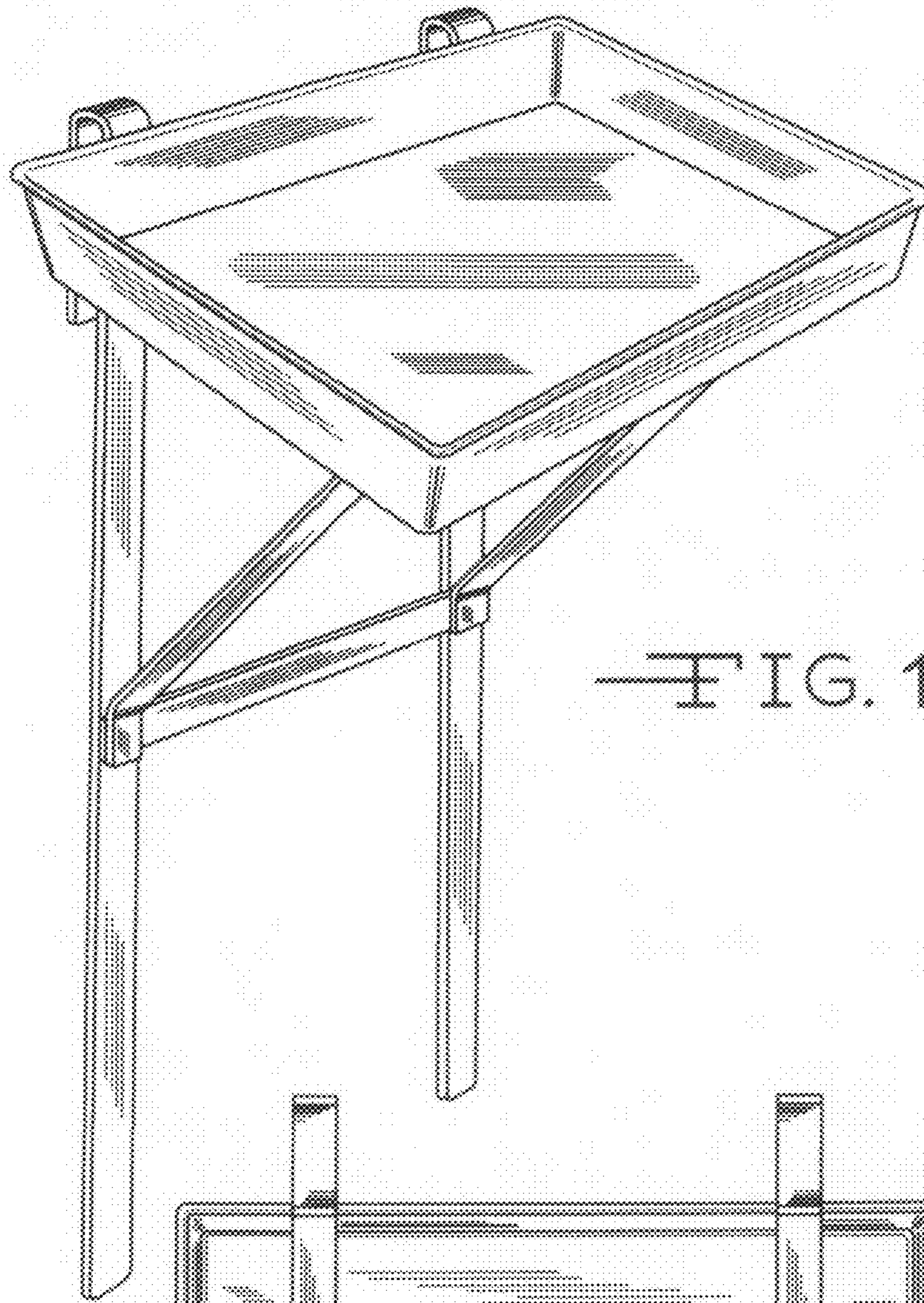


FIG. 1

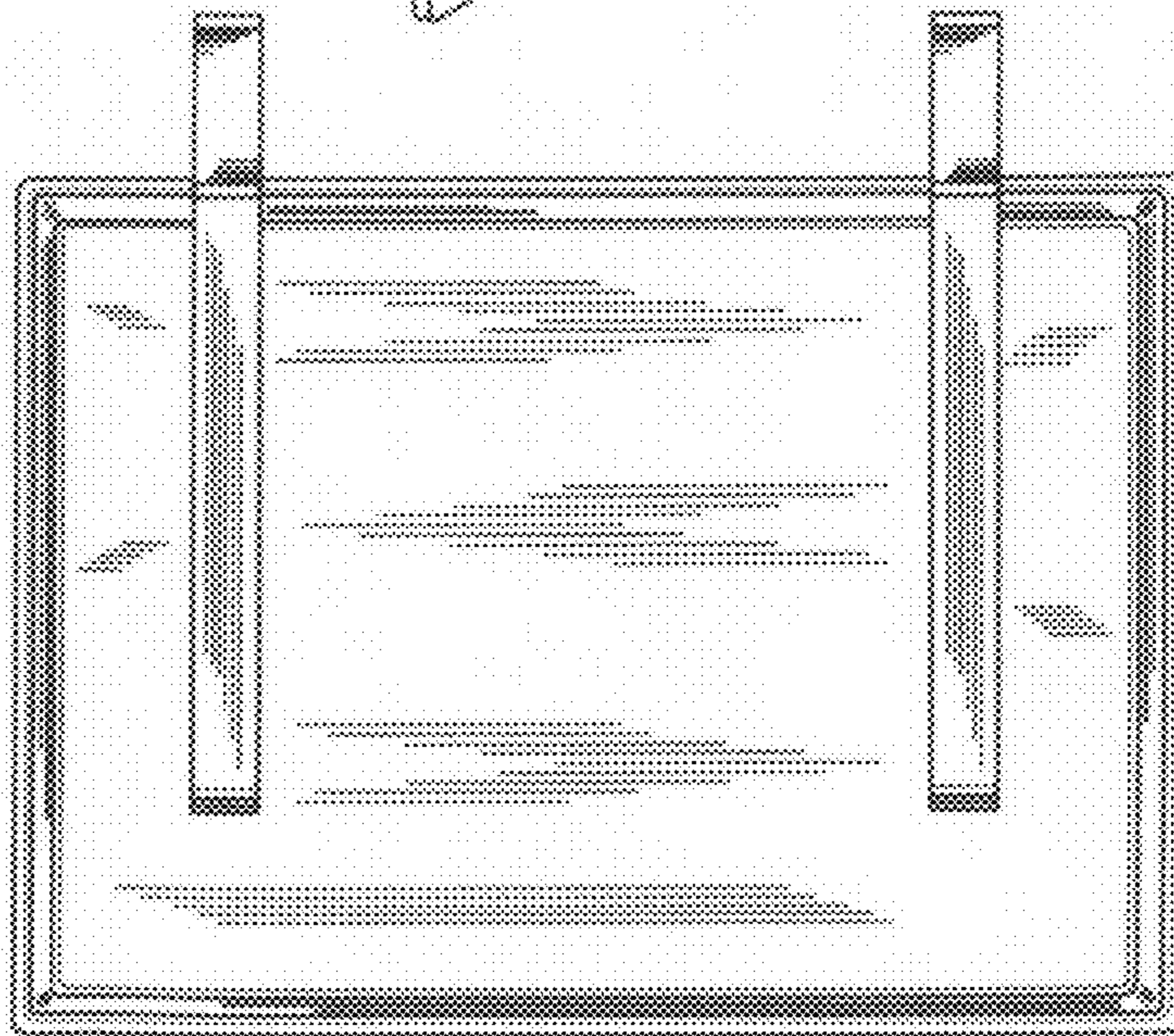


FIG. 7

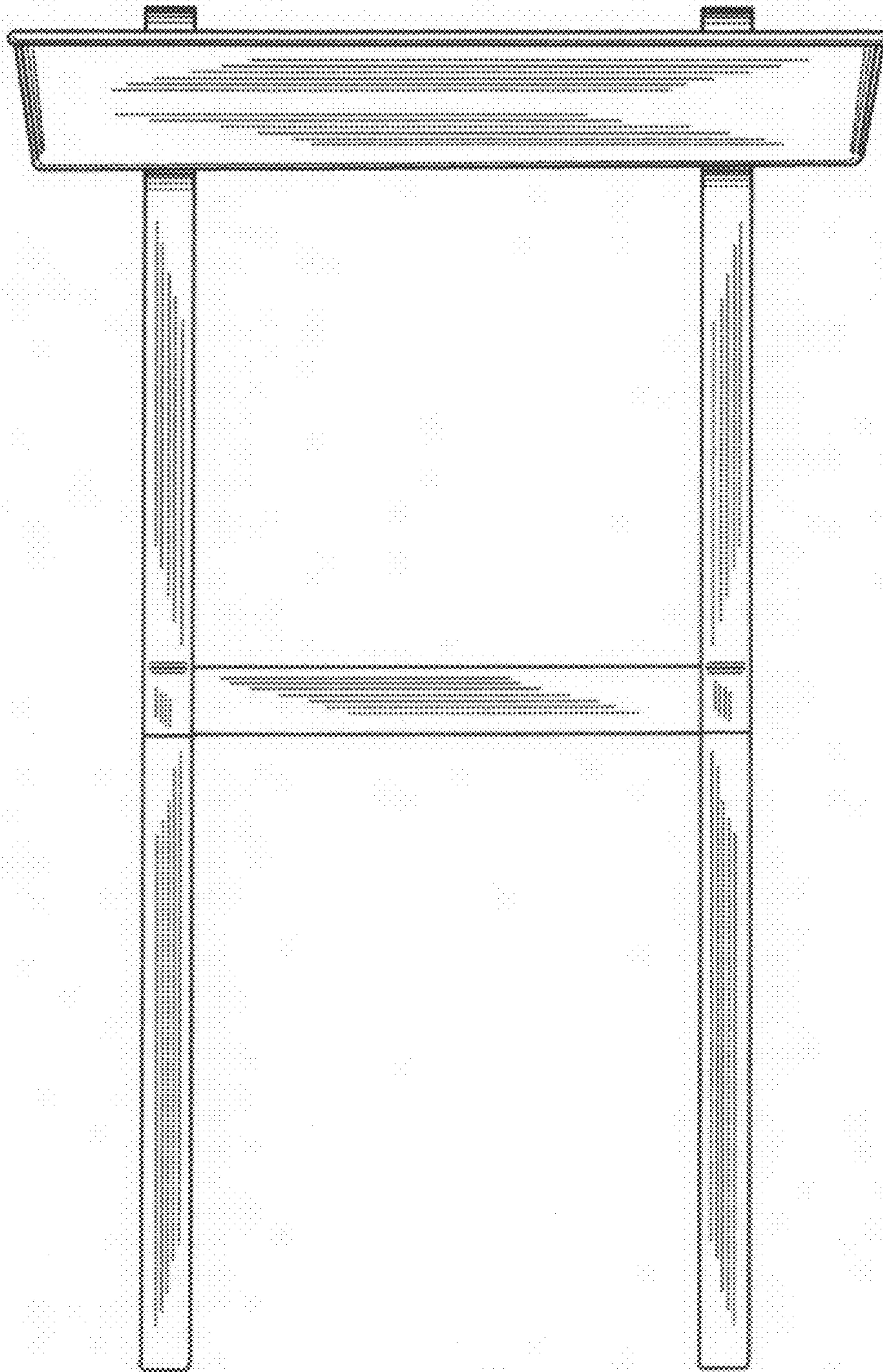


FIG. 2

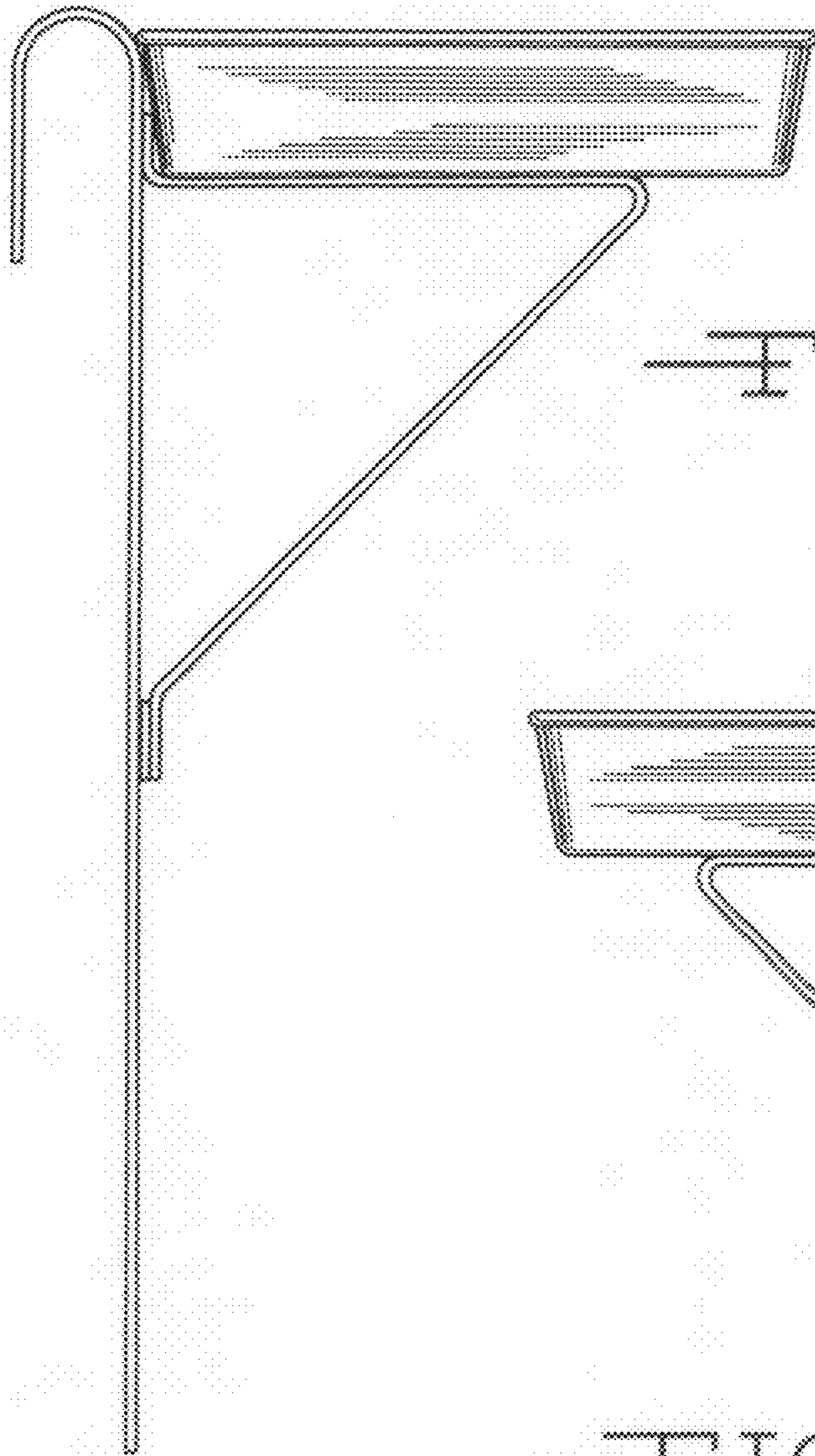


FIG. 3

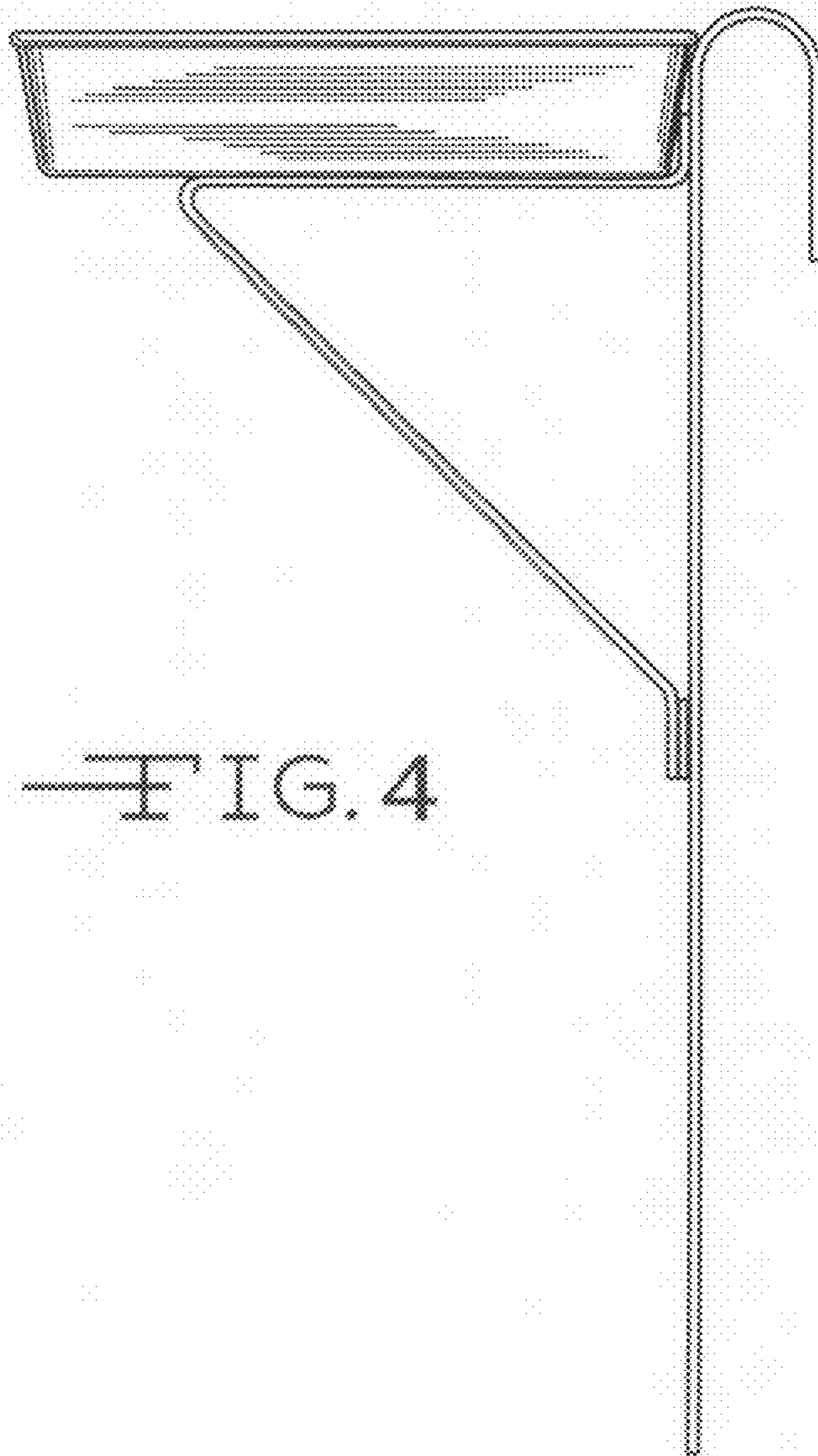
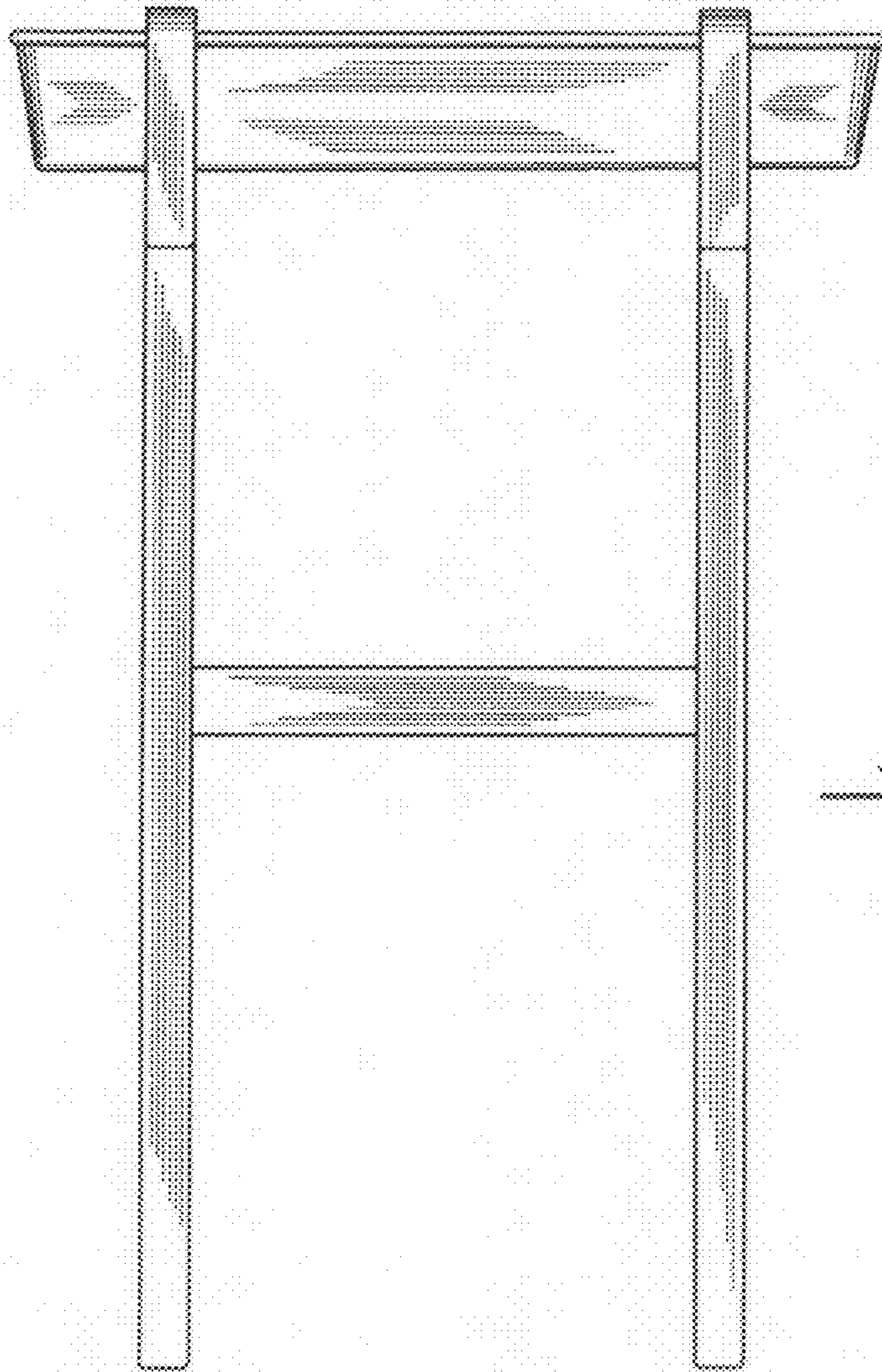
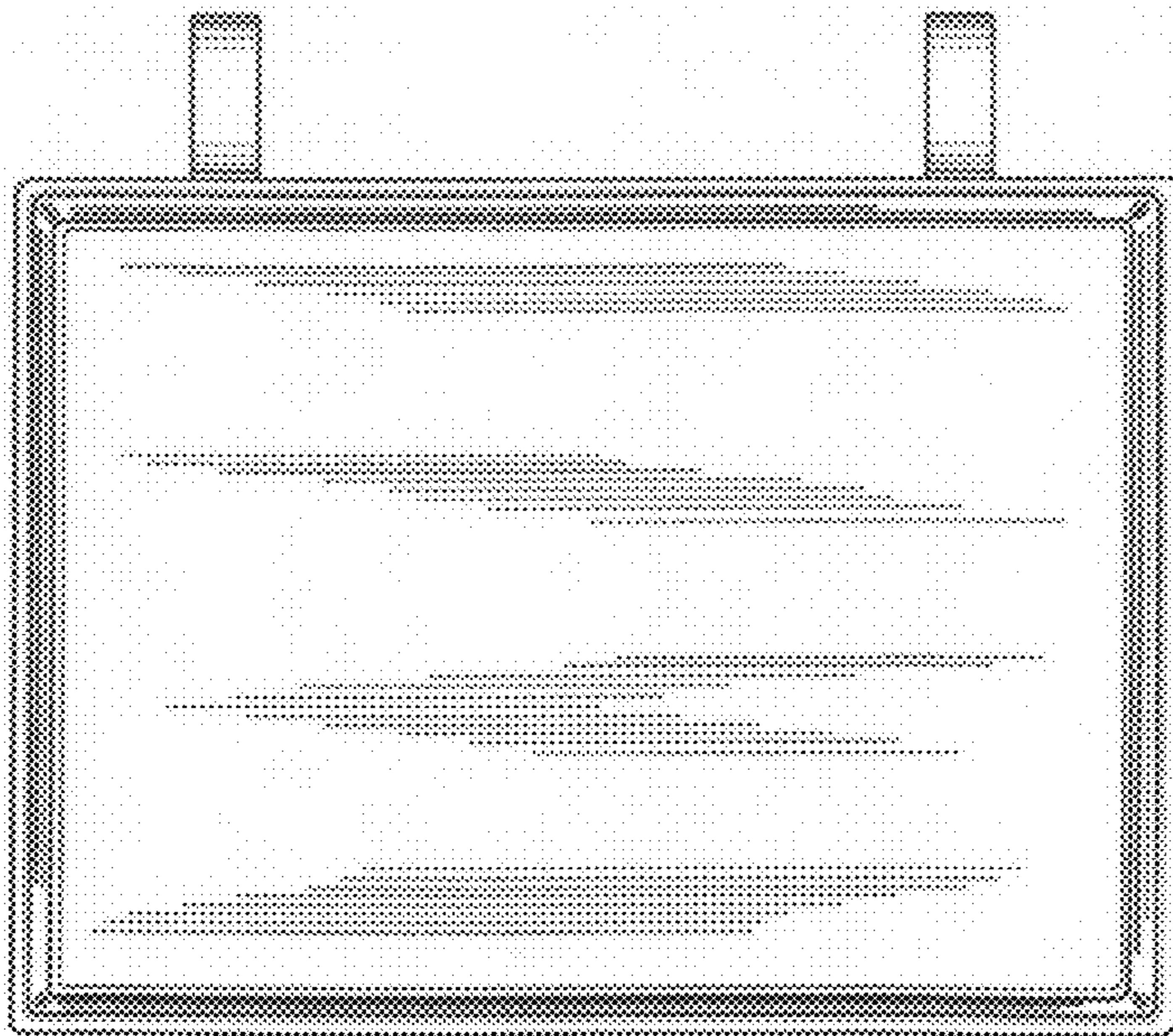


FIG. 4



—FIG. 5



—FIG. 6