



US00D673797S

(12) **United States Design Patent**
McShane

(10) **Patent No.:** **US D673,797 S**

(45) **Date of Patent:** **** *Jan. 8, 2013**

(54) **PUZZLE TABLE**

(75) Inventor: **Arthur E. McShane**, Port Jefferson Station, NY (US)

(73) Assignee: **Art Works and Design, Inc.**, Port Jefferson Station, NY (US)

(*) Notice: This patent is subject to a terminal disclaimer.

(**) Term: **14 Years**

(21) Appl. No.: **29/403,637**

(22) Filed: **Oct. 7, 2011**

(51) **LOC (9) Cl.** **06-06**

(52) **U.S. Cl.** **D6/511; D6/451; D21/397**

(58) **Field of Classification Search** D6/480-489, D6/495-499, 429, 450, 451; 108/150, 153.1, 108/156, 157, 161; 248/188, 118.1, 188.5, 248/188.7, 188.8; D21/397, 480; 273/153 R
See application file for complete search history.

(56) **References Cited**

U.S. PATENT DOCUMENTS

| | | | | |
|-----------|-----|--------|--------------------|---------|
| 3,174,893 | A * | 3/1965 | Church et al. | 108/161 |
| 3,334,798 | A * | 8/1967 | Pezely, Jr. et al. | 206/594 |
| D267,895 | S * | 2/1983 | Petrie | D21/480 |

| | | | | |
|----------|-----|--------|--------------|---------|
| D357,149 | S * | 4/1995 | Uselman | D6/511 |
| D382,734 | S * | 8/1997 | Hartman, Sr. | D21/397 |
| D383,804 | S * | 9/1997 | Parein | D21/480 |
| D392,002 | S * | 3/1998 | Harvey | D21/480 |
| D409,256 | S * | 5/1999 | Roberts | D21/480 |
| D473,066 | S * | 4/2003 | Kwok | D6/407 |
| D541,549 | S * | 5/2007 | Ng et al. | D6/397 |

* cited by examiner

Primary Examiner — Janice Seeger

(74) *Attorney, Agent, or Firm* — Richard A. Castellano; Prass LLP

(57) **CLAIM**

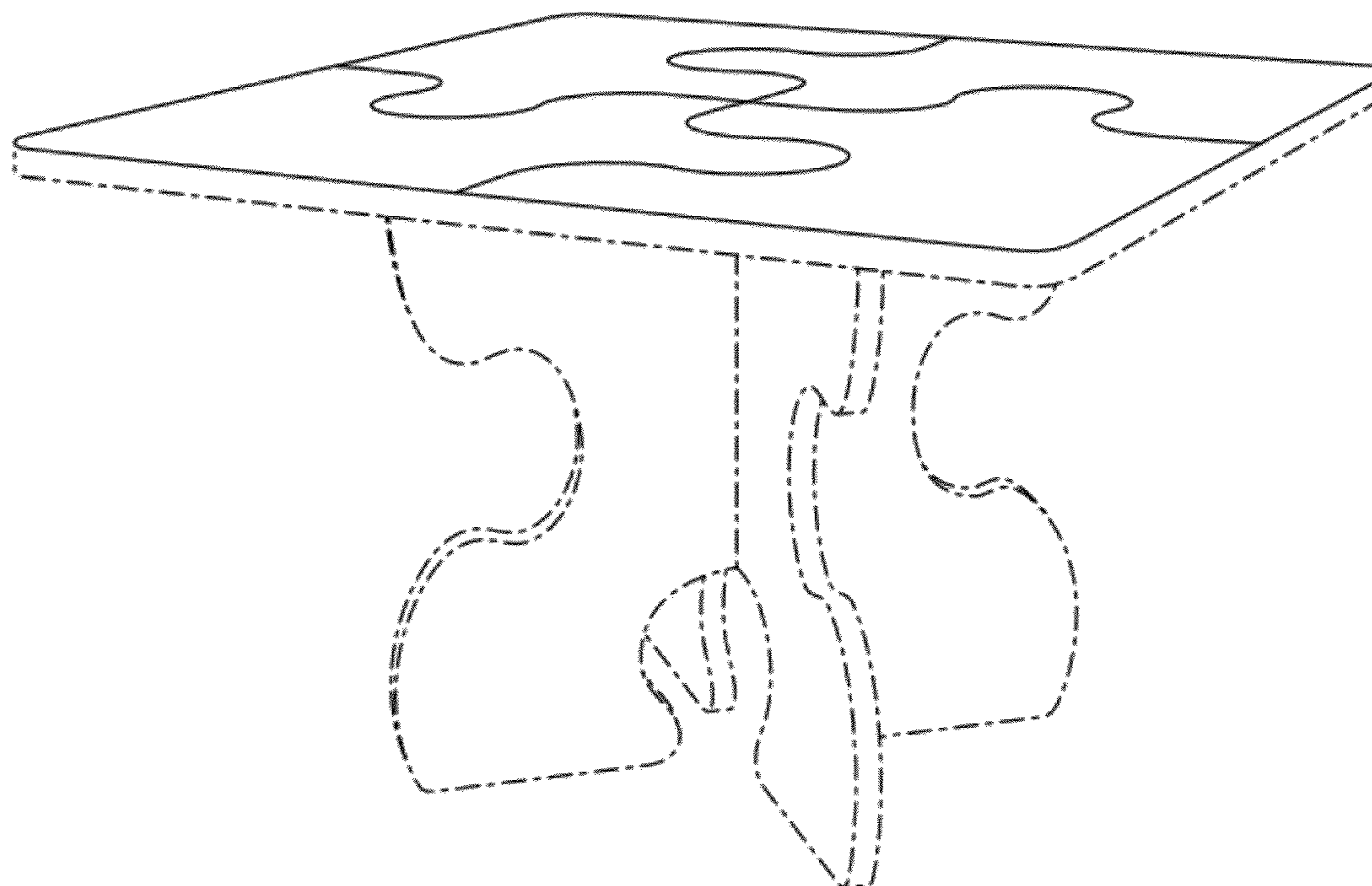
The ornamental design for a puzzle table, as shown and described.

DESCRIPTION

FIG. 1 is a front perspective view of a puzzle table showing my new design;
FIG. 2 is top elevation view thereof;
FIG. 3 is a right side view thereof;
FIG. 4 is a left side view thereof;
FIG. 5 is a front side view thereof;
FIG. 6 is a rear side view thereof; and,
FIG. 7 is a bottom elevation view thereof.

The broken lines shown in all views are to illustrate environment only and form no part of the claimed design.

1 Claim, 5 Drawing Sheets



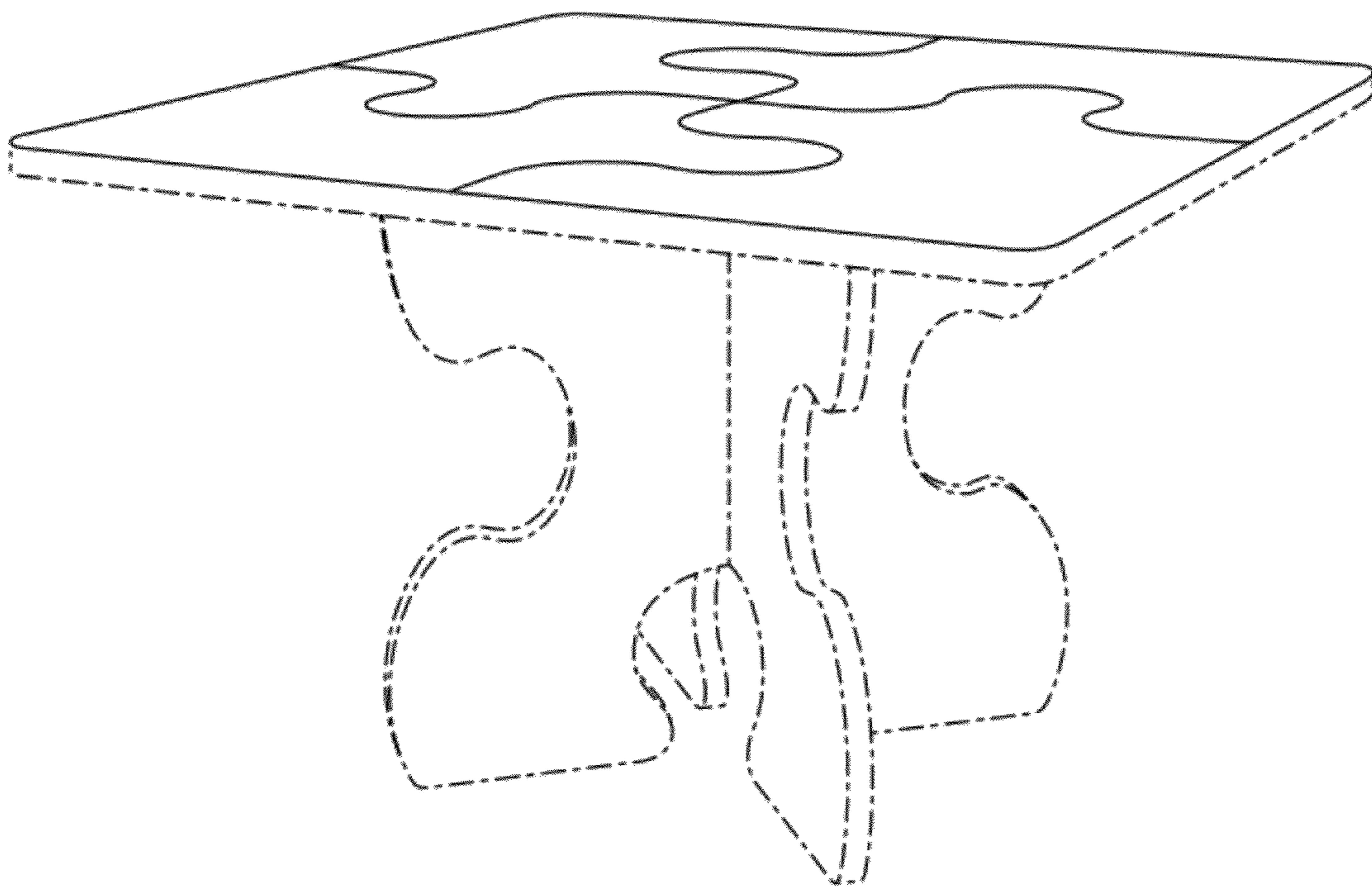


FIG. 1

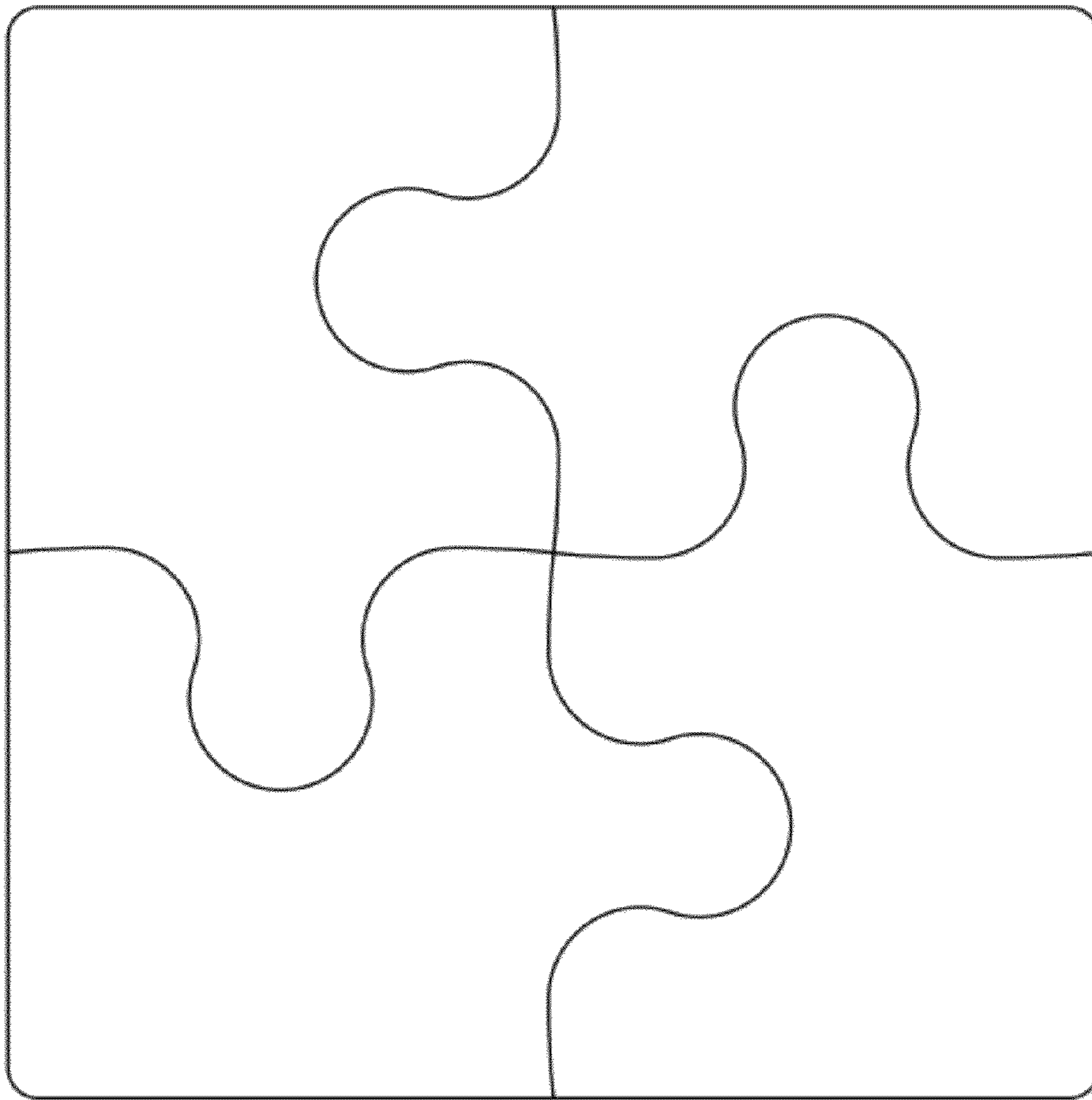


FIG. 2

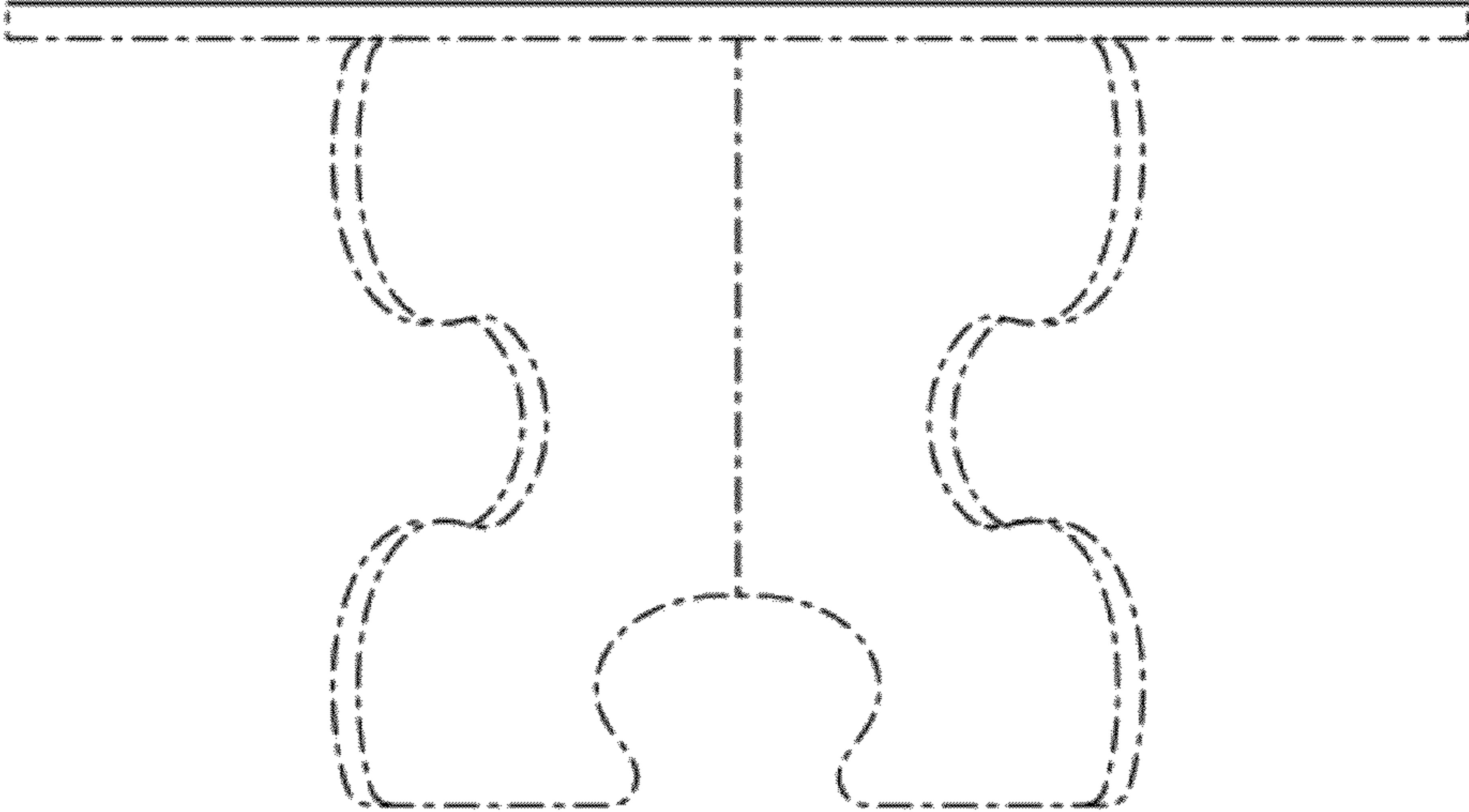


FIG. 3

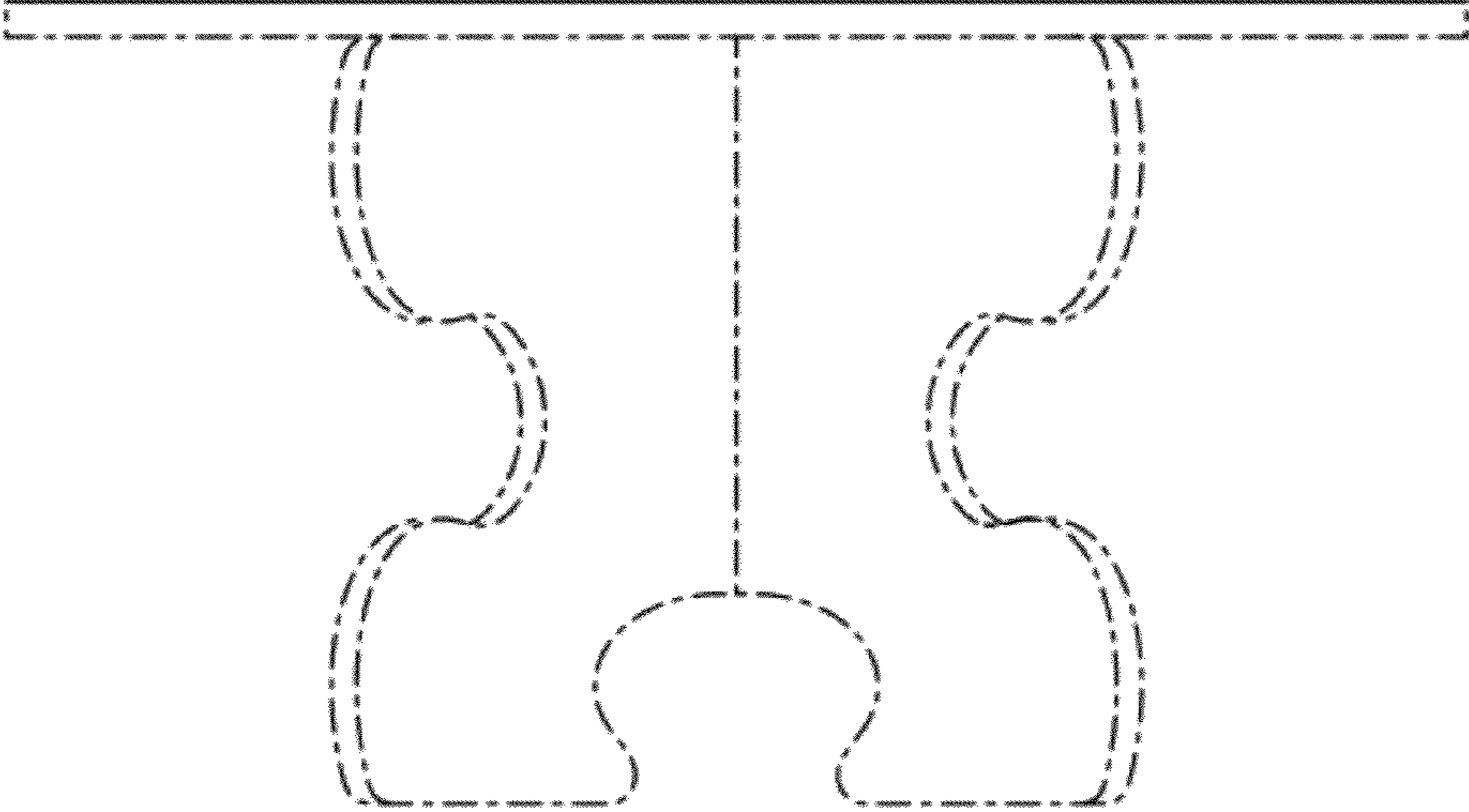


FIG. 4

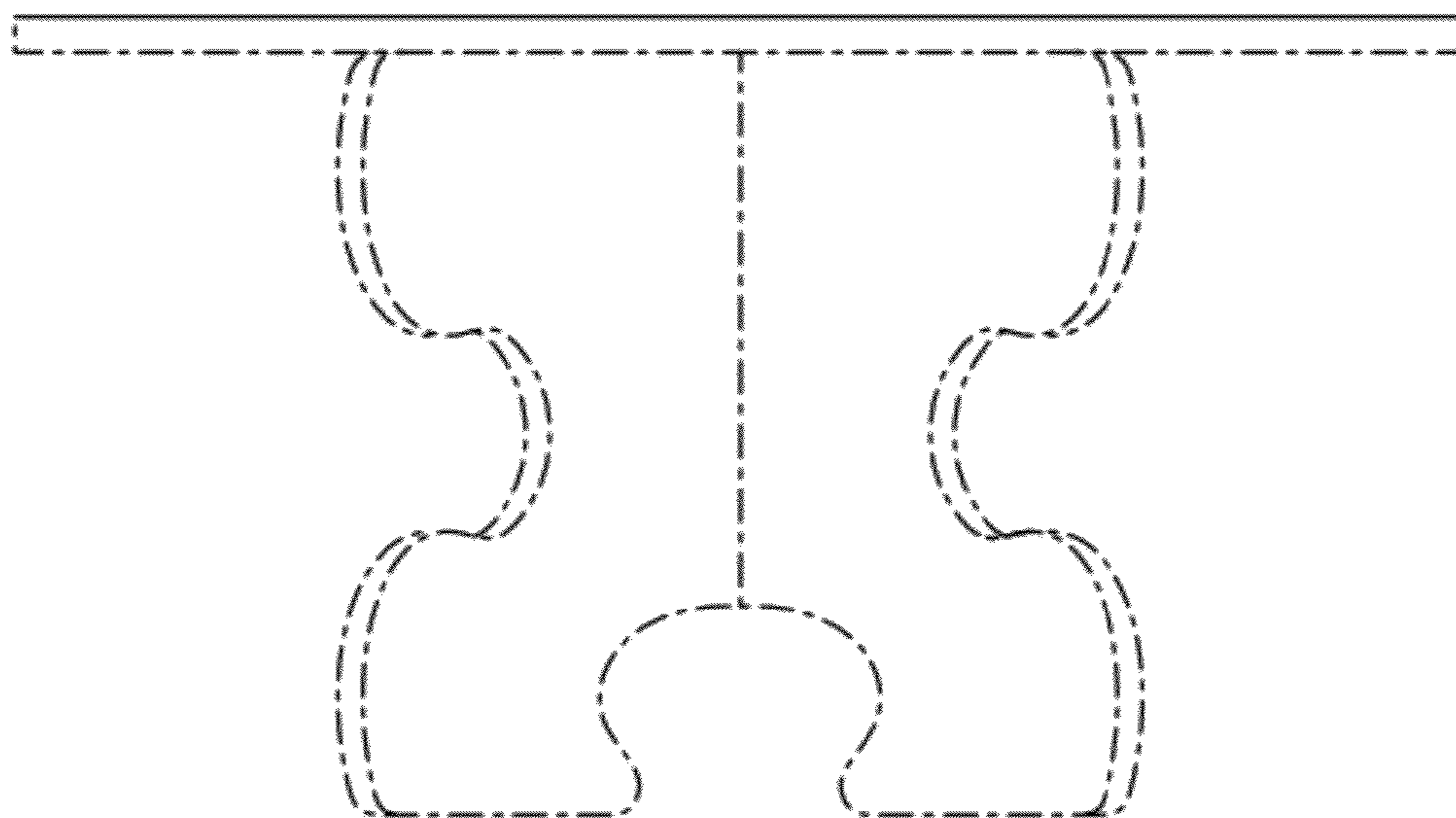


FIG. 5

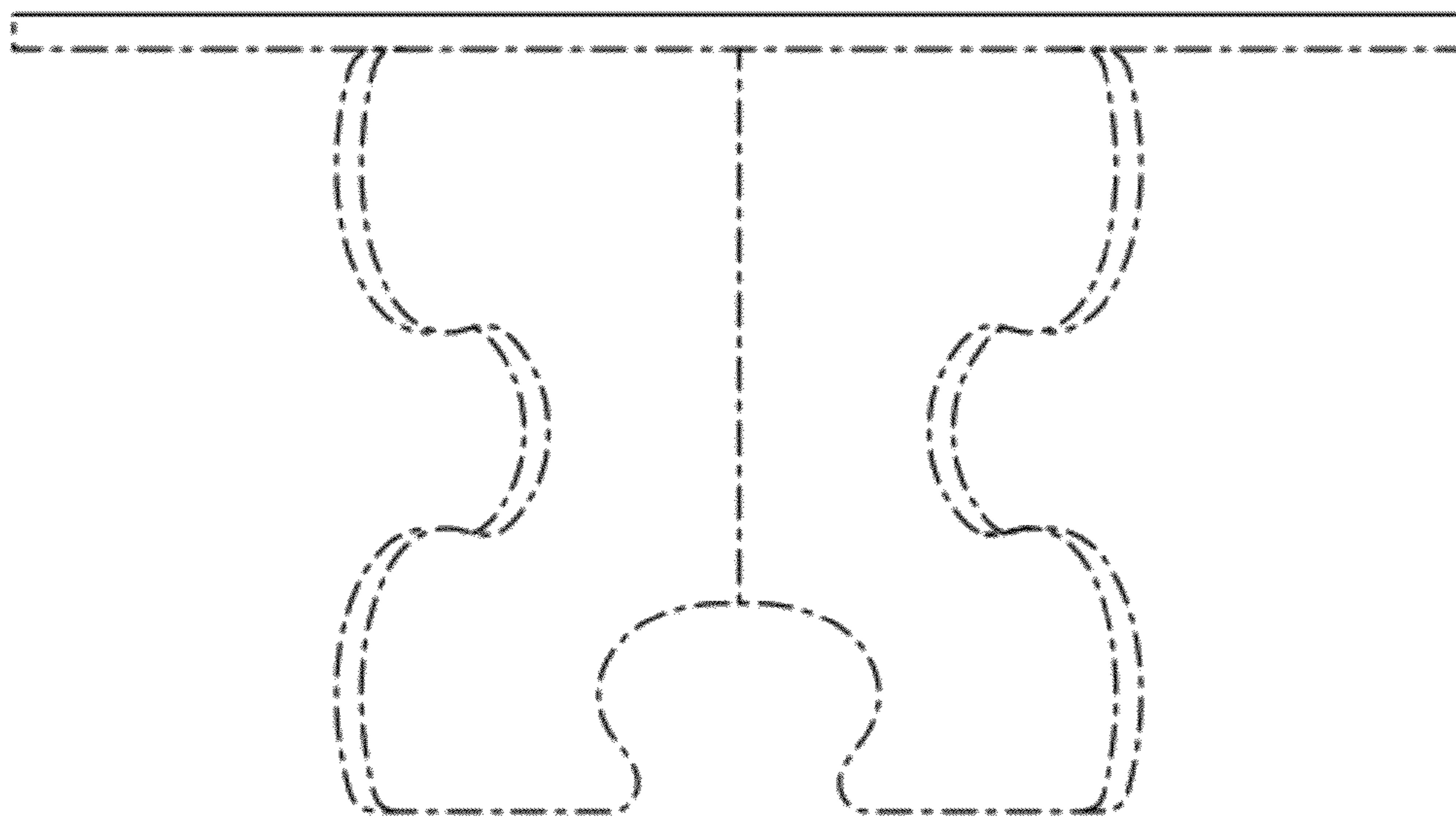


FIG. 6

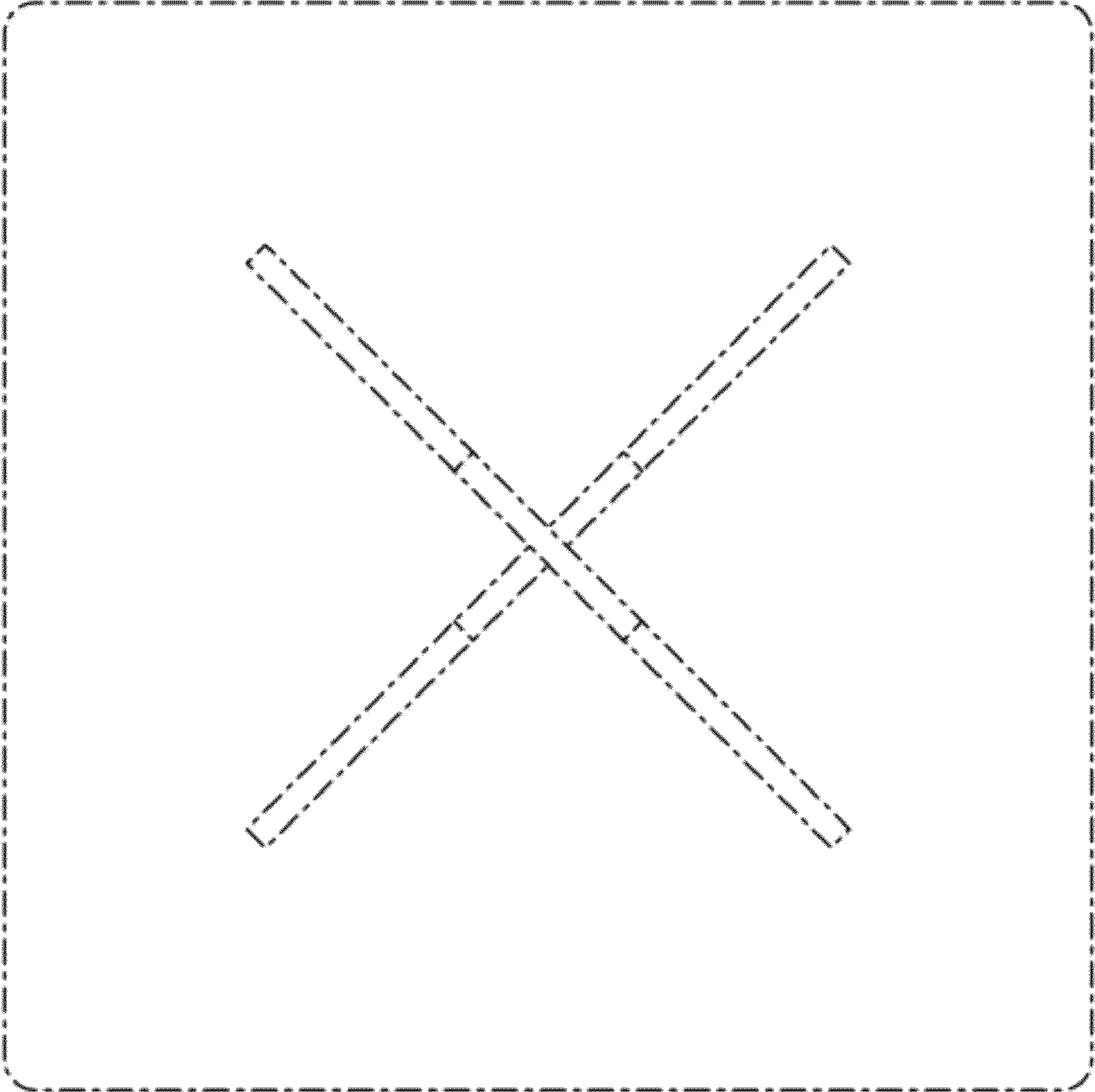


FIG. 7