



US00D673796S

(12) **United States Design Patent**
Su

(10) **Patent No.:** **US D673,796 S**
(45) **Date of Patent:** **** Jan. 8, 2013**

(54) **CHAIR SEAT FRAME**

(76) Inventor: **Shu O Su**, Tainan (TW)

(**) Term: **14 Years**

(21) Appl. No.: **29/401,835**

(22) Filed: **Sep. 16, 2011**

(30) **Foreign Application Priority Data**

Aug. 25, 2011 (TW) 100304391

(51) **LOC (9) Cl.** **06-01**

(52) **U.S. Cl.** **D6/502**

(58) **Field of Classification Search** D6/334-336,
D6/360, 364, 365, 366, 367, 371-374, 379,
D6/380, 500-502; 297/440.11, 452.1, 452.13,
297/452.15, 452.21, 452.56, 452.59

See application file for complete search history.

(56) **References Cited**

U.S. PATENT DOCUMENTS

D431,943 S * 10/2000 Lee D6/500
D439,452 S * 3/2001 Turner et al. D6/502
D463,926 S * 10/2002 Hsieh D6/500
6,899,398 B2 * 5/2005 Coffield 297/452.56
D549,976 S * 9/2007 Lin D6/366

D568,624 S * 5/2008 Wen D6/366
D641,561 S * 7/2011 Tsai D6/366
D647,314 S * 10/2011 Lu D6/366
8,033,612 B2 * 10/2011 Smith et al. 297/452.21
8,038,221 B2 * 10/2011 Smith et al. 297/440.11
D647,716 S * 11/2011 Lu D6/366
D657,594 S * 4/2012 Knight et al. D6/500

* cited by examiner

Primary Examiner — Mimososa De

(74) *Attorney, Agent, or Firm* — Raymond Y. Chan; David and Raymond Patent Firm

(57) **CLAIM**

The ornamental design for a chair seat frame, as shown and described.

DESCRIPTION

FIG. 1 is a perspective view of chair seat frame showing my new design.

FIG. 2 is a front view thereof.

FIG. 3 is a rear view thereof.

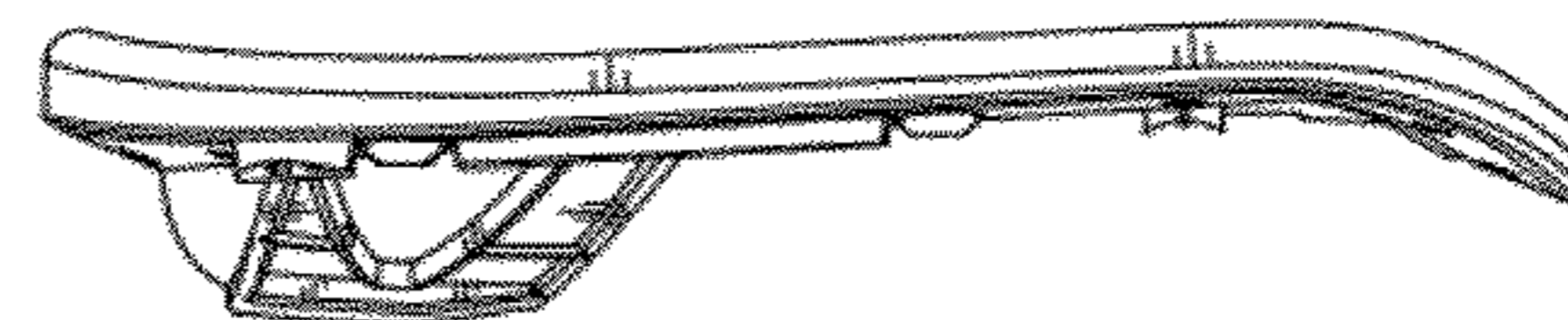
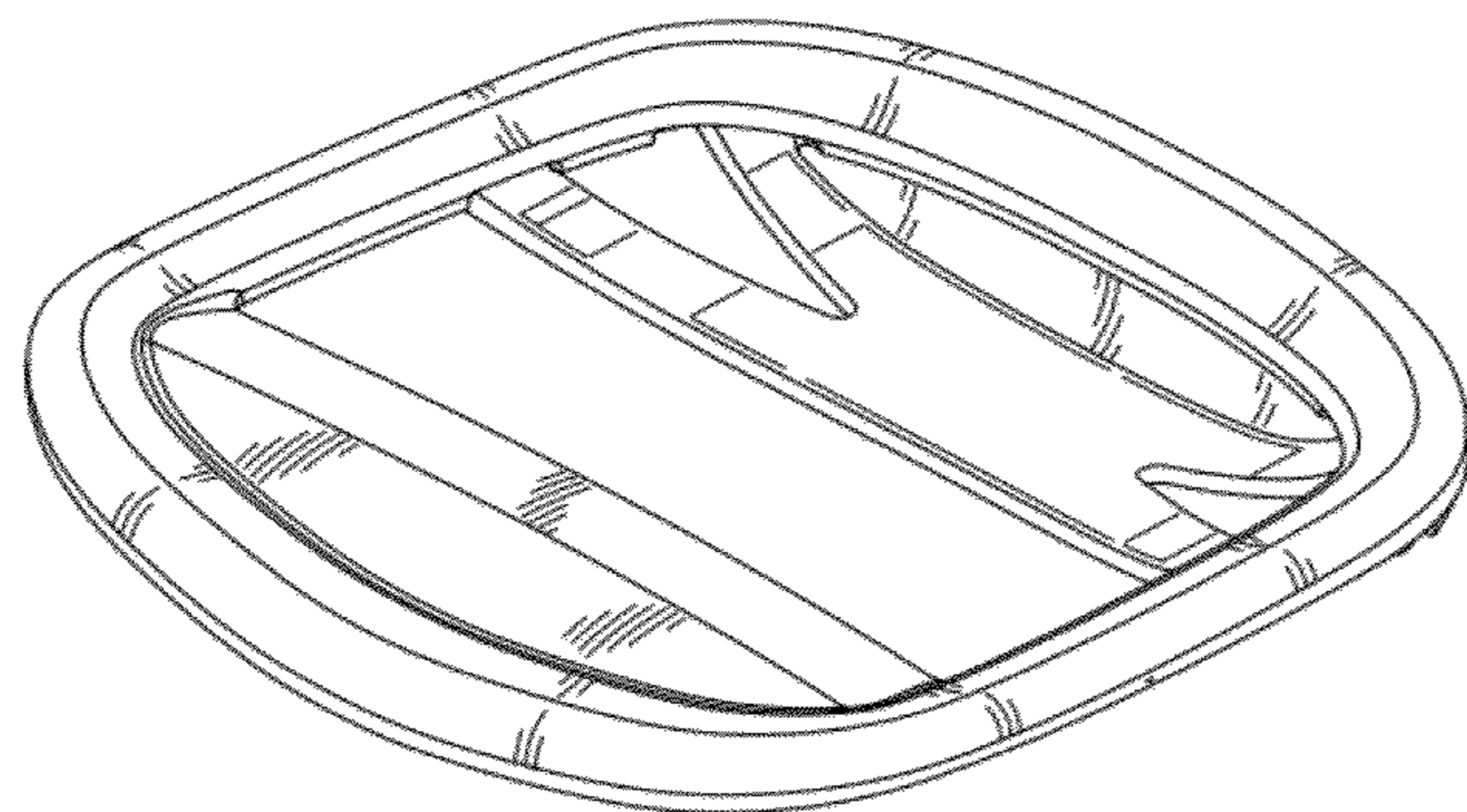
FIG. 4 is a left end view thereof.

FIG. 5 is a right end view thereof.

FIG. 6 is a top view thereof; and,

FIG. 7 is a bottom view thereof.

1 Claim, 4 Drawing Sheets



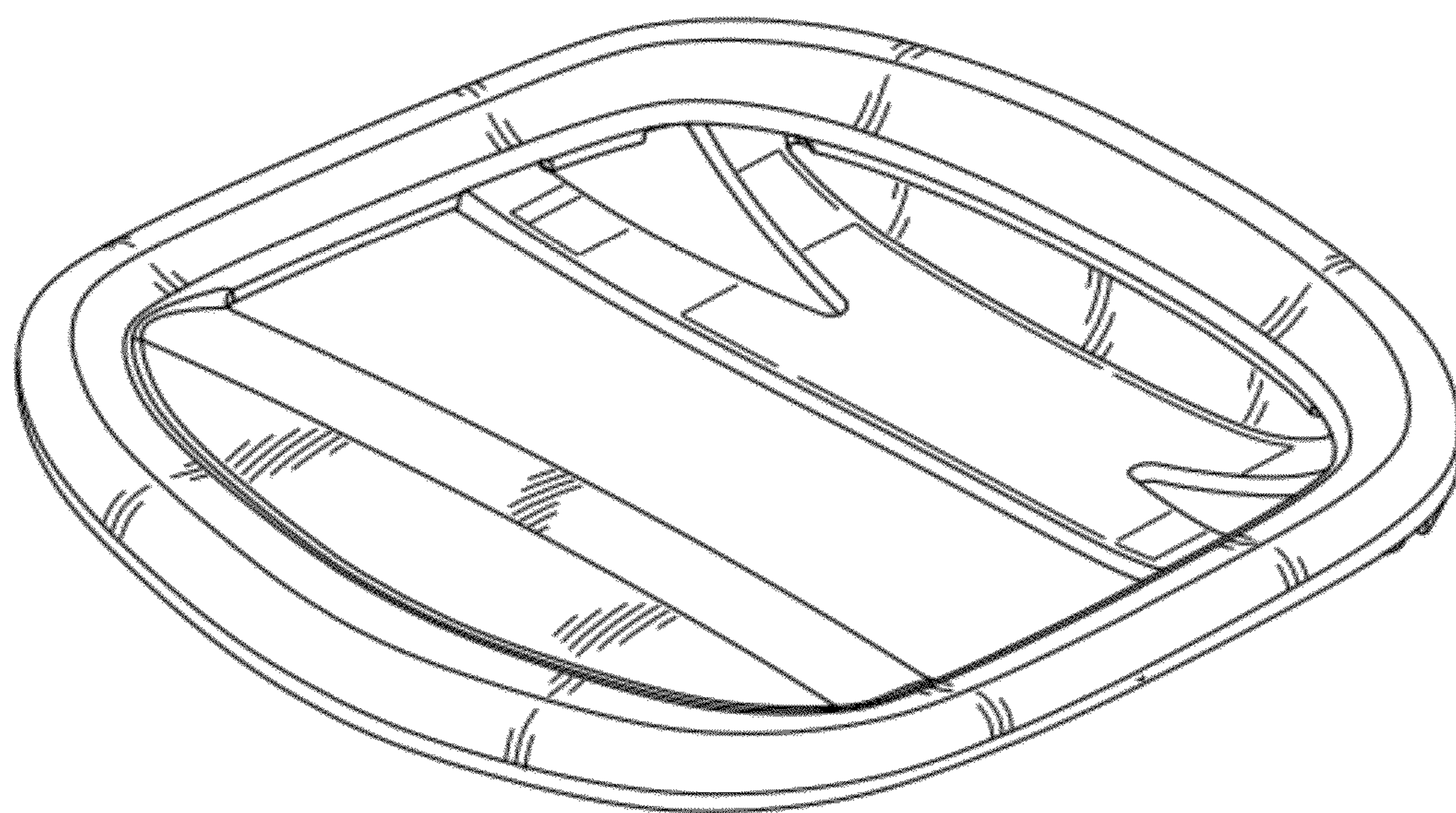


FIG. 1

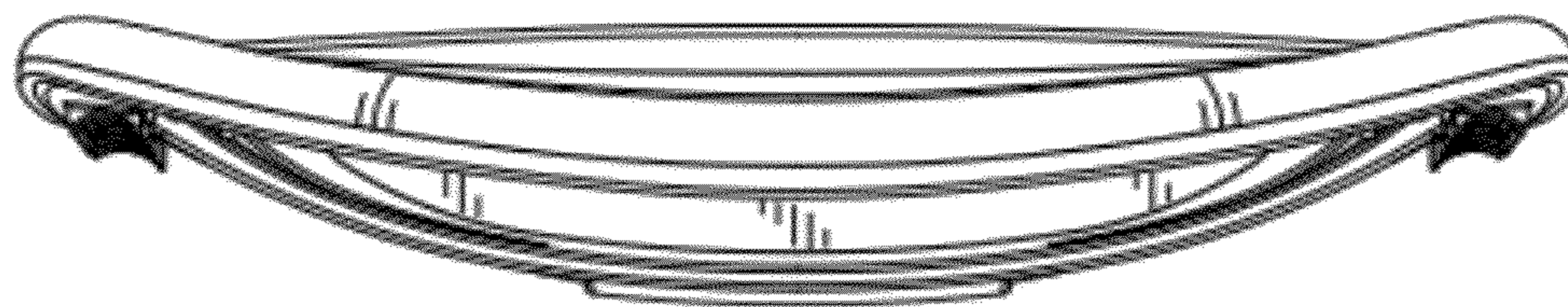


FIG. 2

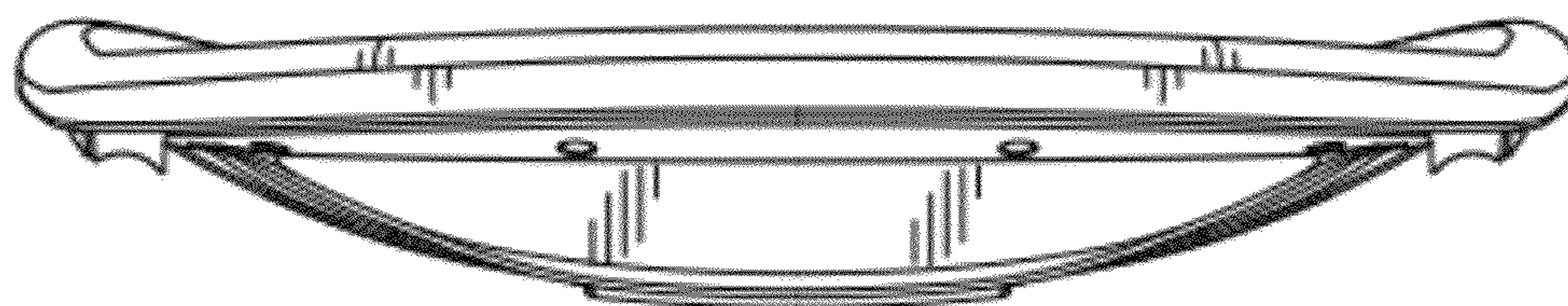


FIG. 3

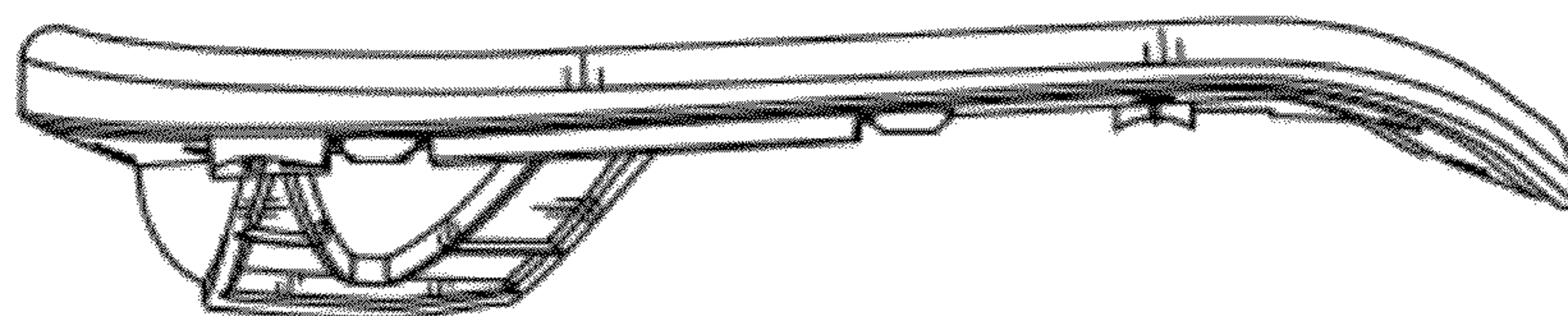


FIG. 4

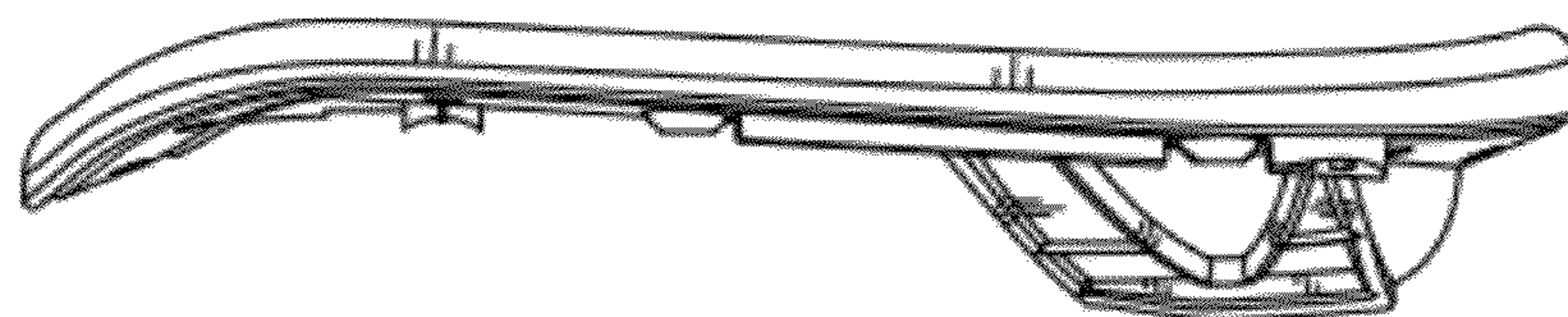


FIG. 5

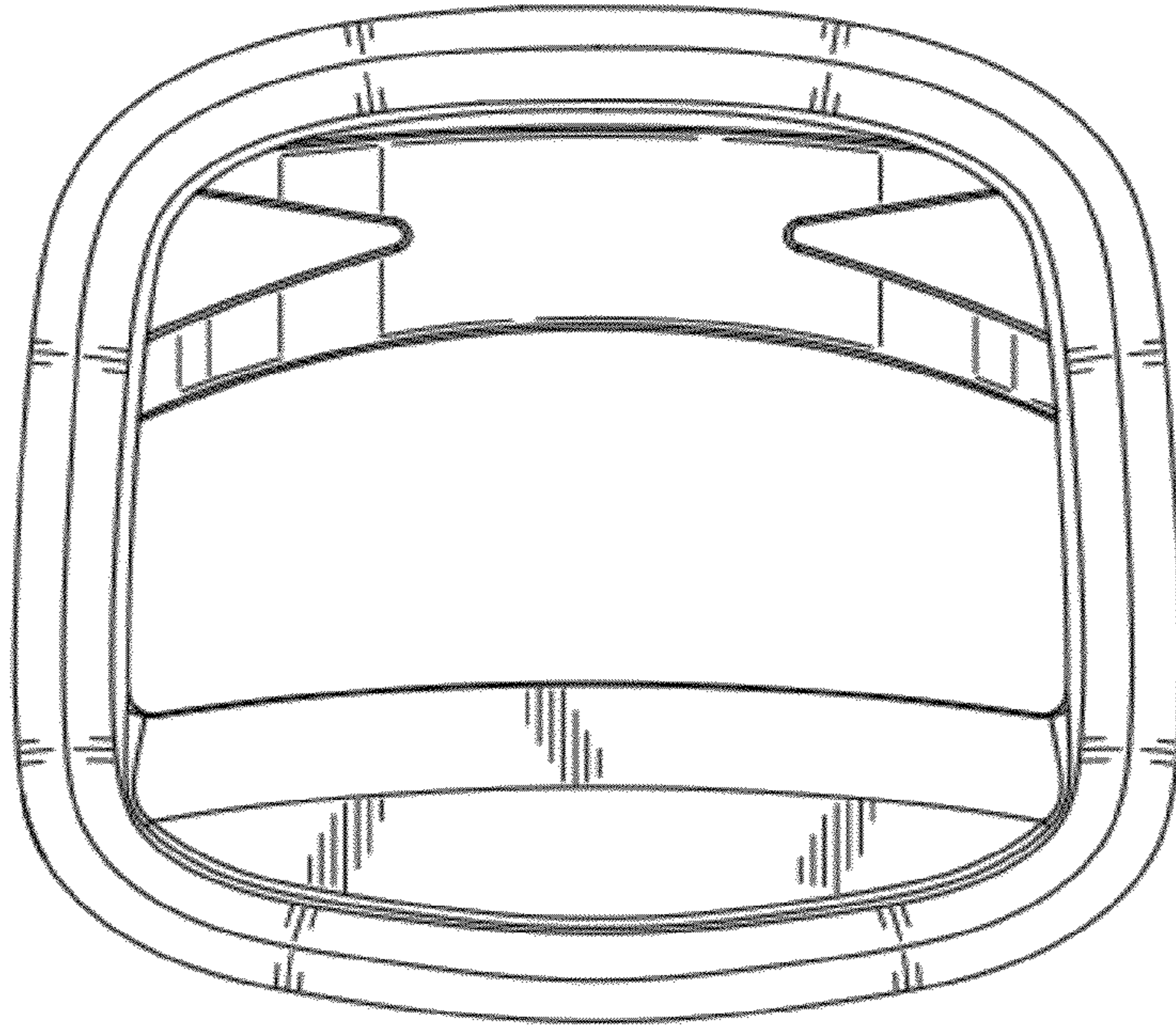


FIG. 6

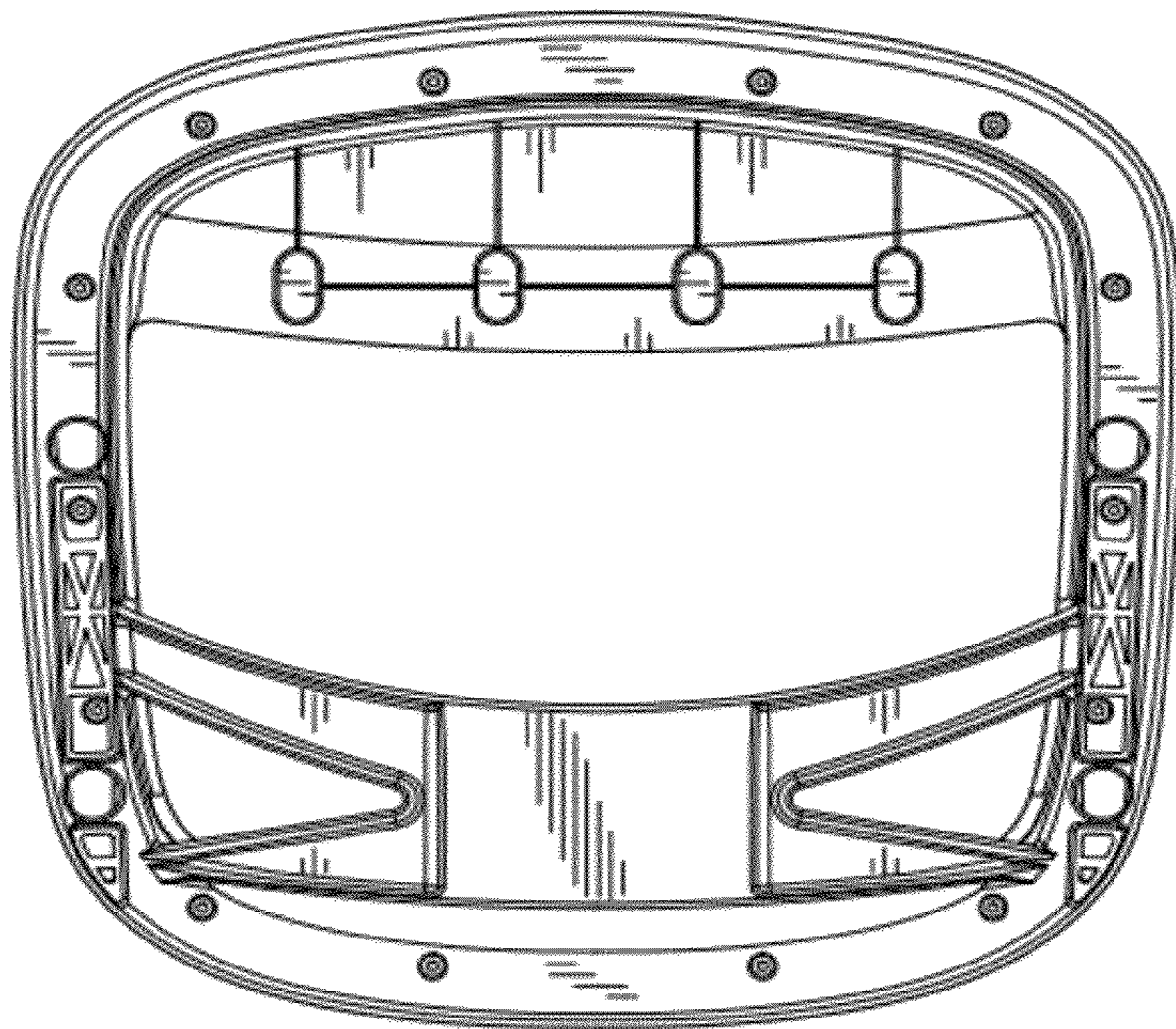


FIG. 7