



US00D673795S

(12) **United States Design Patent**
Murrah

(10) **Patent No.:** **US D673,795 S**

(45) **Date of Patent:** **** Jan. 8, 2013**

(54) **FOOD DISPLAY TRAY**

(76) **Inventor:** **Richard M. Murrah**, Vestavia Hills, AL
(US)

(**) **Term:** **14 Years**

(21) **Appl. No.:** **29/413,923**

(22) **Filed:** **Feb. 22, 2012**

(51) **LOC (9) Cl.** **06-04**

(52) **U.S. Cl.** **D6/469**

(58) **Field of Classification Search** D6/396,
D6/397, 449, 450, 545-470; 211/1, 4, 10,
211/43.1, 40, 49.1, 50, 70, 71.01, 72, 74,
211/79, 85.4, 85.6, 119.03, 126.16, 149,
211/189; D9/756, 761; D24/230; D99/34;
206/63, 139, 204, 362.1, 562

See application file for complete search history.

(56) **References Cited**

U.S. PATENT DOCUMENTS

| | | | | | |
|-----------|-----|---------|------------|-------|------------|
| 844,402 | A * | 2/1907 | Richardson | | 211/72 |
| 3,494,479 | A * | 2/1970 | Martin | | 211/126.16 |
| 3,682,597 | A * | 8/1972 | Husch | | 422/408 |
| 3,840,171 | A * | 10/1974 | Waters | | 206/562 |
| 4,907,705 | A * | 3/1990 | Waldeck | | 211/85.4 |
| D323,441 | S * | 1/1992 | Waldeck | | D6/469 |

| | | | | | |
|-----------|------|---------|----------------|-------|-------------|
| D355,544 | S * | 2/1995 | Cartwright | | D6/469 |
| 6,003,666 | A * | 12/1999 | Dougherty | | 206/204 |
| 6,557,711 | B2 * | 5/2003 | Grueneberg | | 211/119.003 |
| D504,550 | S * | 4/2005 | Setcer, Jr. | | D99/34 |
| D515,941 | S * | 2/2006 | Hamblin et al. | | D9/756 |
| 7,299,922 | B2 * | 11/2007 | Ceballos | | 206/362.1 |
| D586,152 | S * | 2/2009 | Maki | | D6/469 |

* cited by examiner

Primary Examiner — Mary Ann Calabrese

(74) *Attorney, Agent, or Firm* — Kenneth M. Bush; Bush Intellectual Property Law

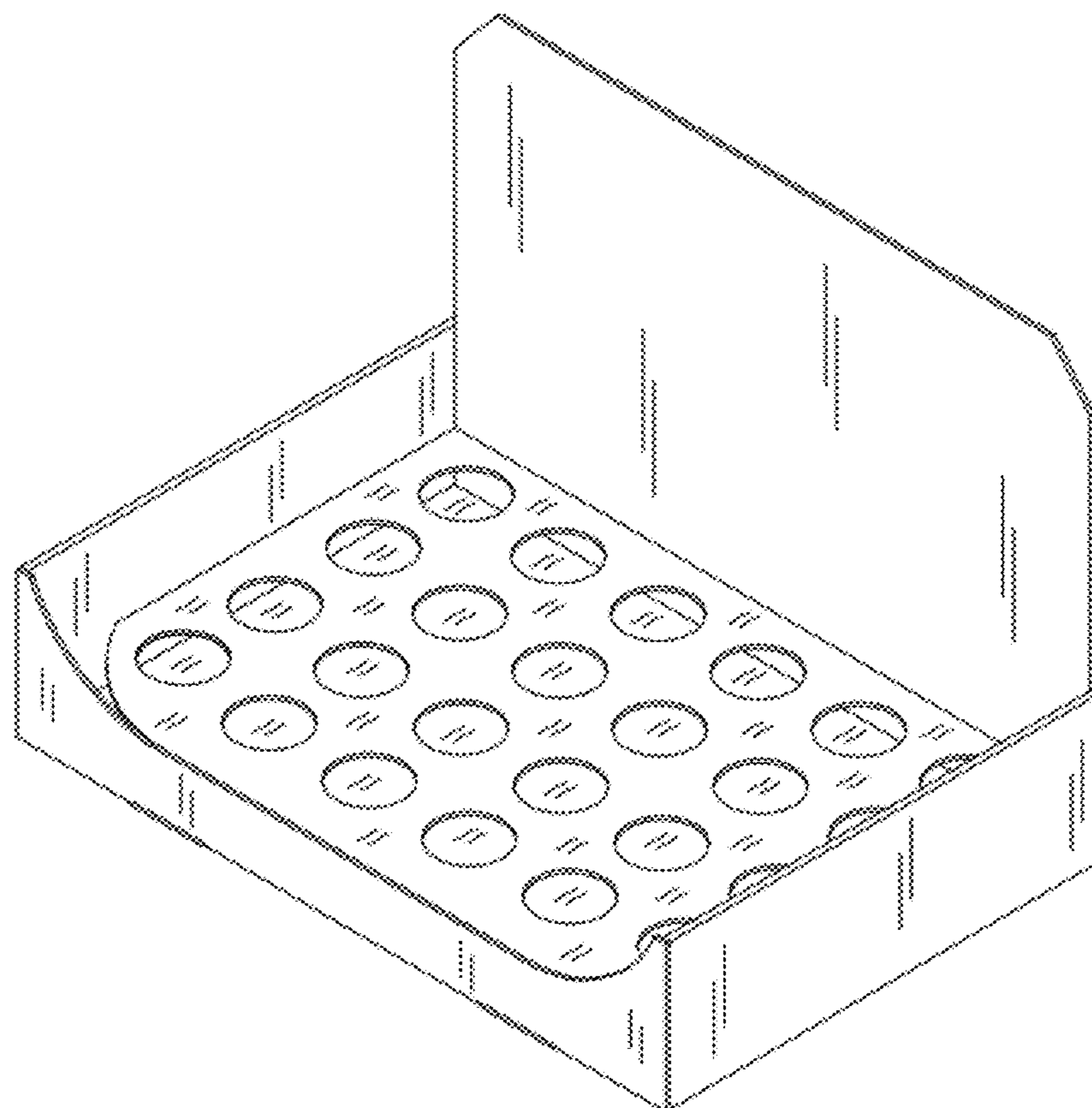
(57) **CLAIM**

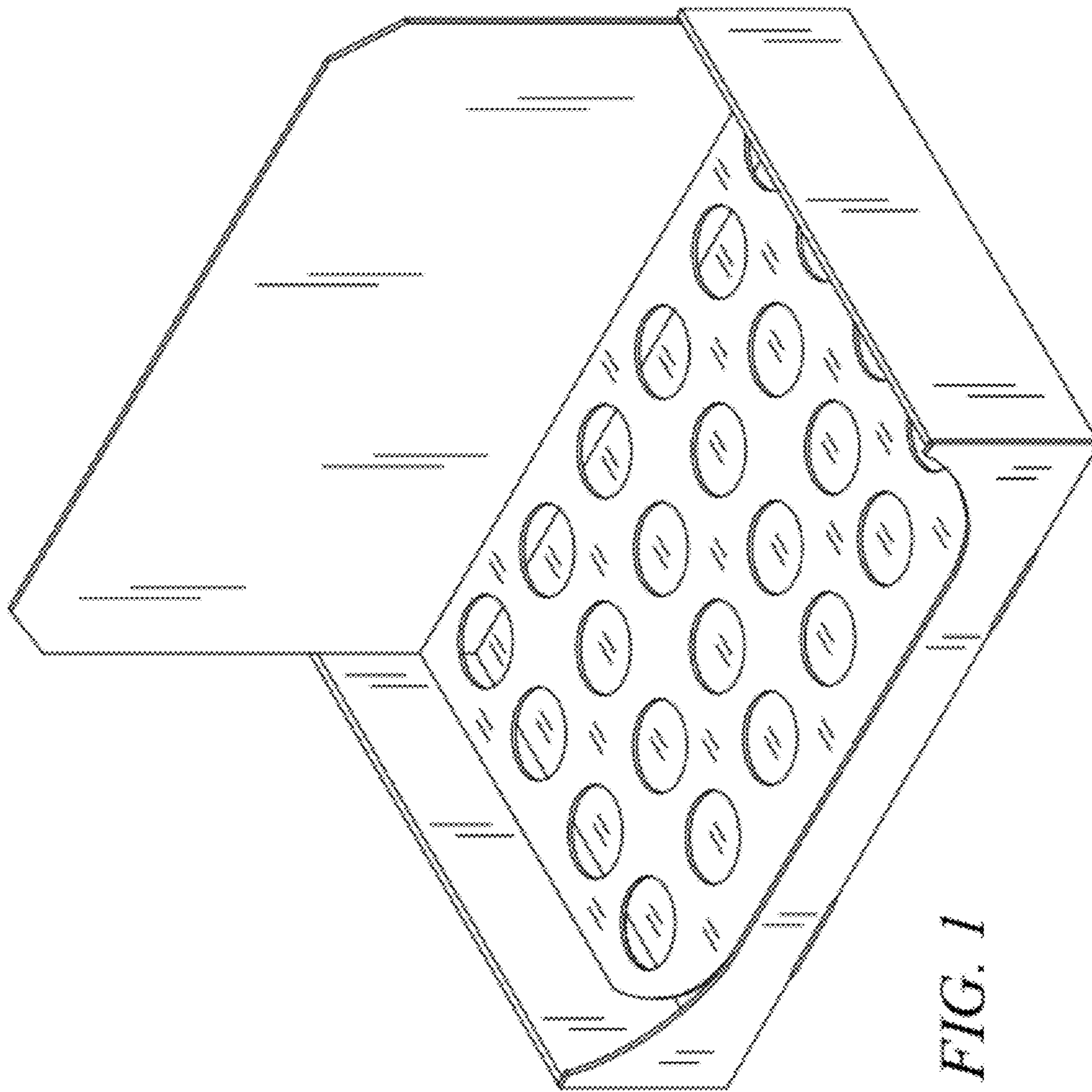
I claim the ornamental design for a food display tray, as shown and described.

DESCRIPTION

FIG. 1 is a front perspective view of a food display tray showing my new design;
FIG. 2 is a rear perspective view thereof;
FIG. 3 is a front elevational view thereof;
FIG. 4 is a rear elevational view thereof;
FIG. 5 is a left side elevational view thereof;
FIG. 6 is a right side elevational view thereof; and,
FIG. 7 is a top plan view thereof.

1 Claim, 5 Drawing Sheets





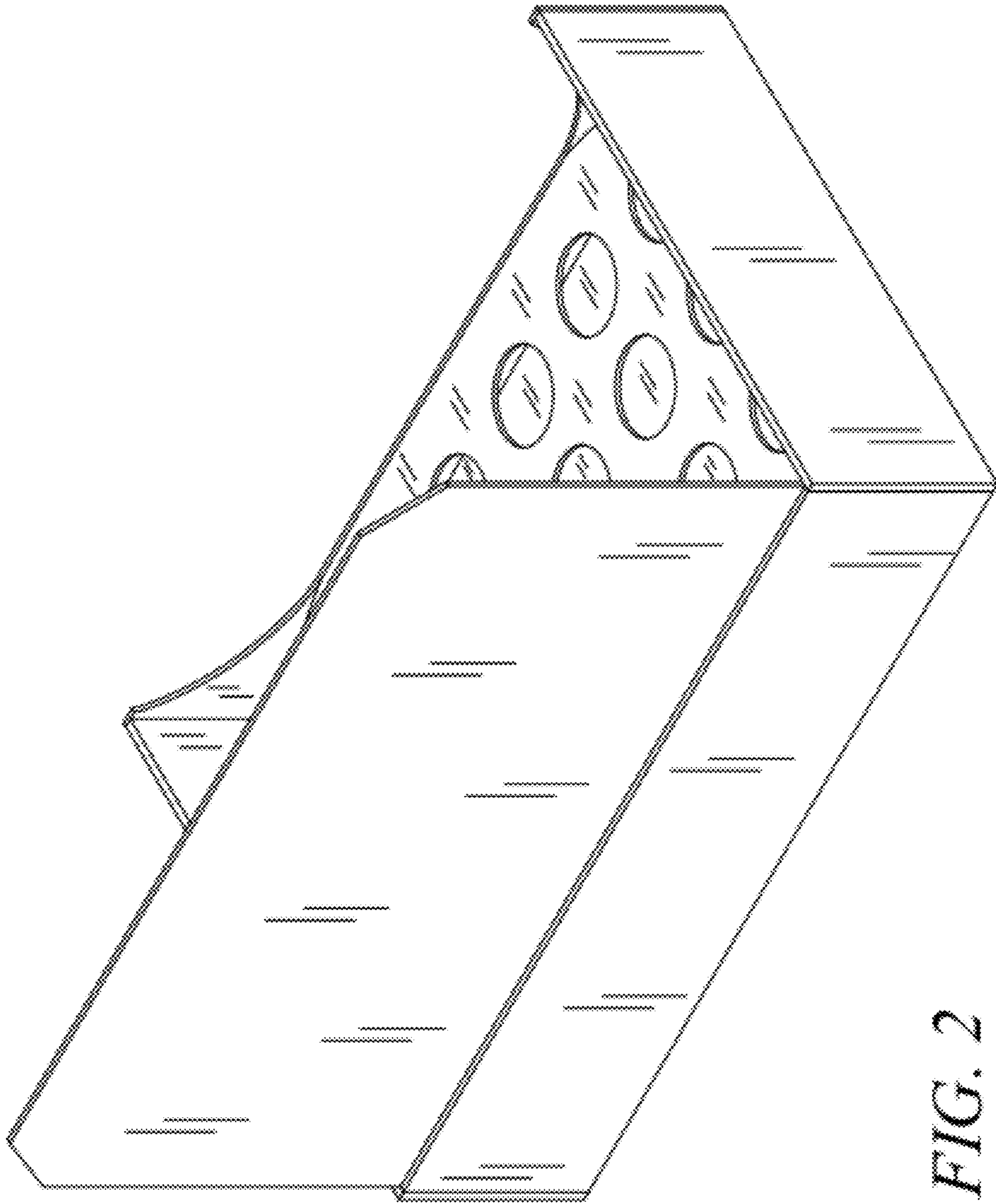


FIG. 2

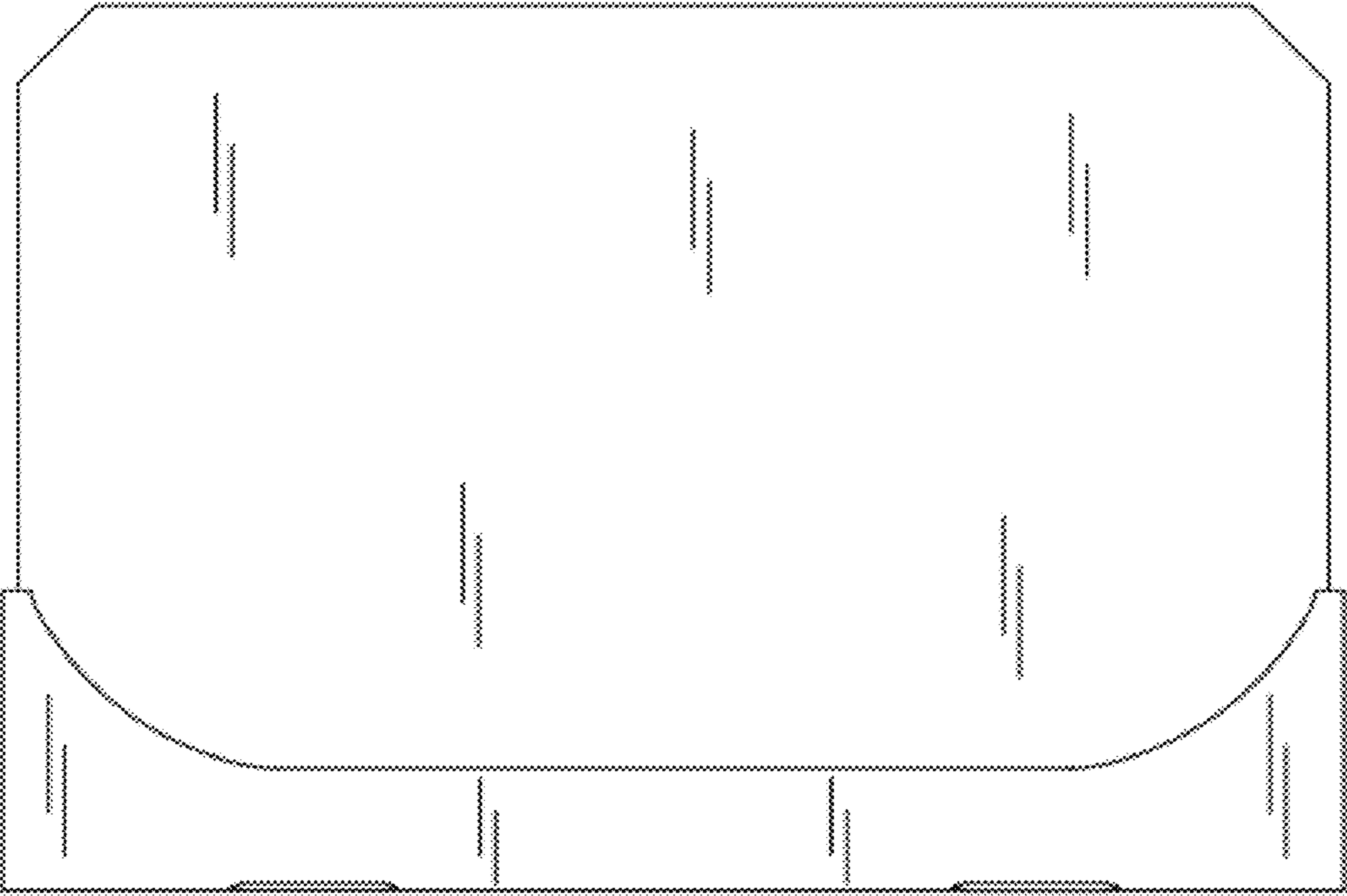


FIG. 3

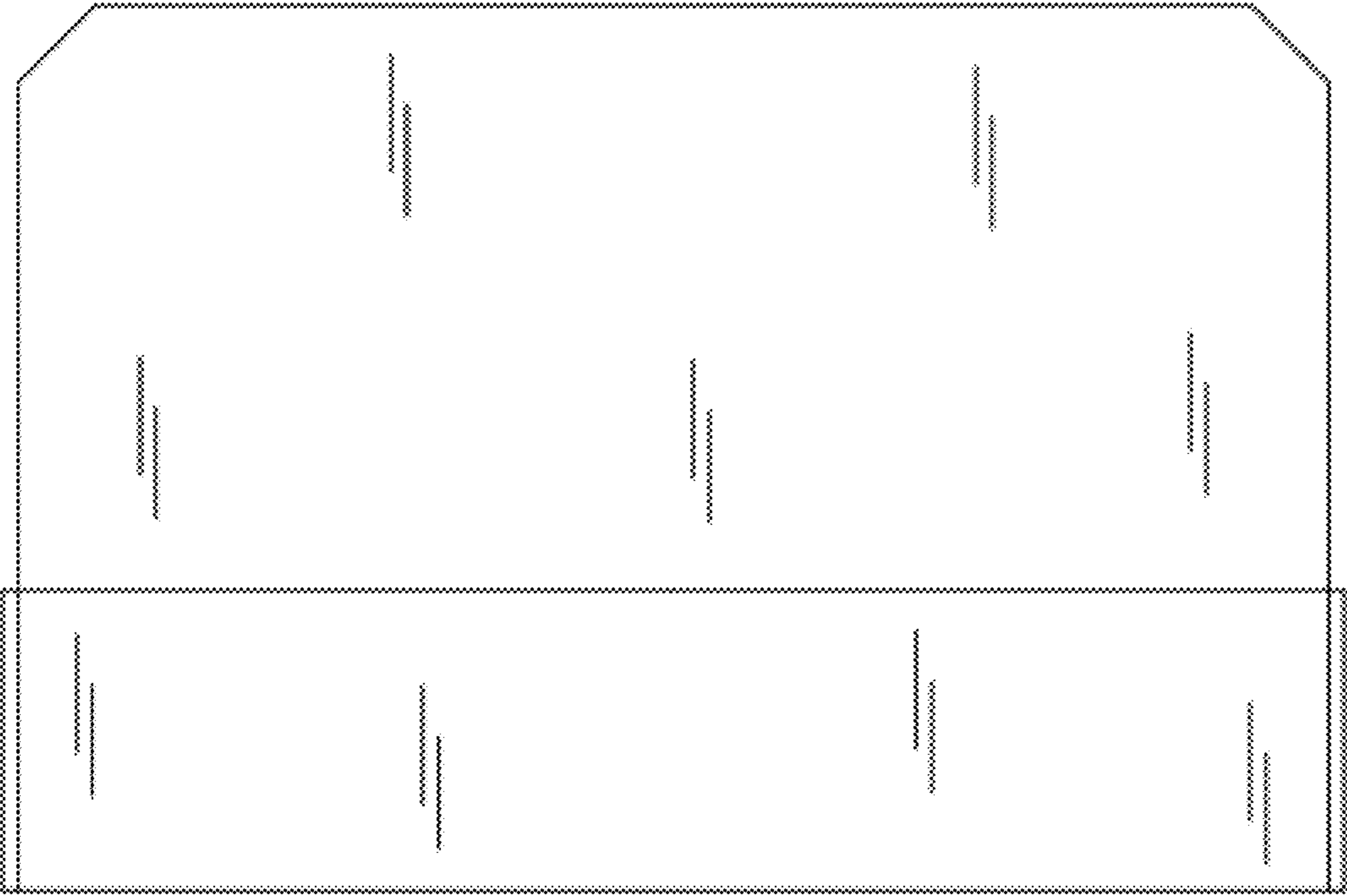


FIG. 4

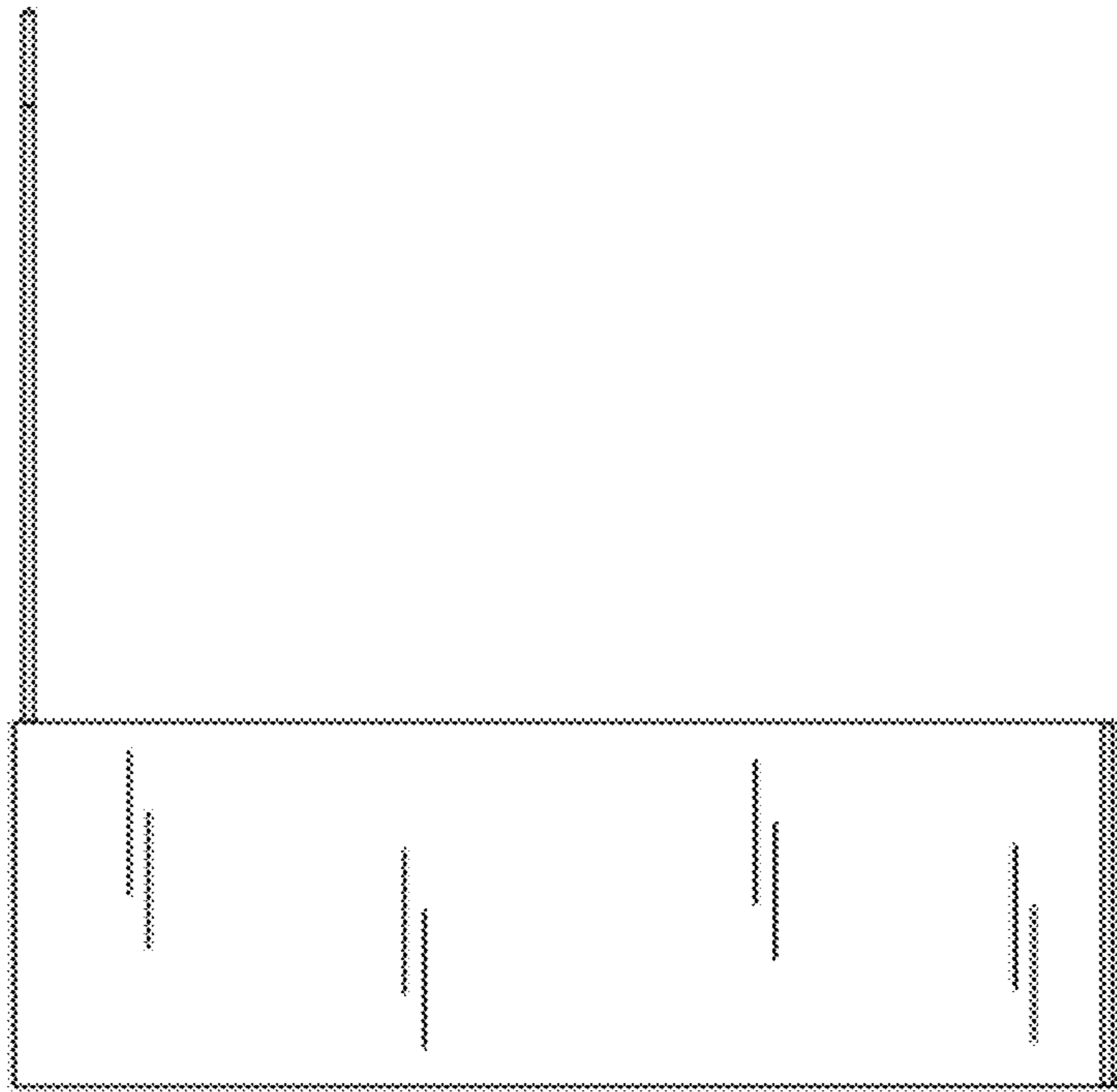


FIG. 5

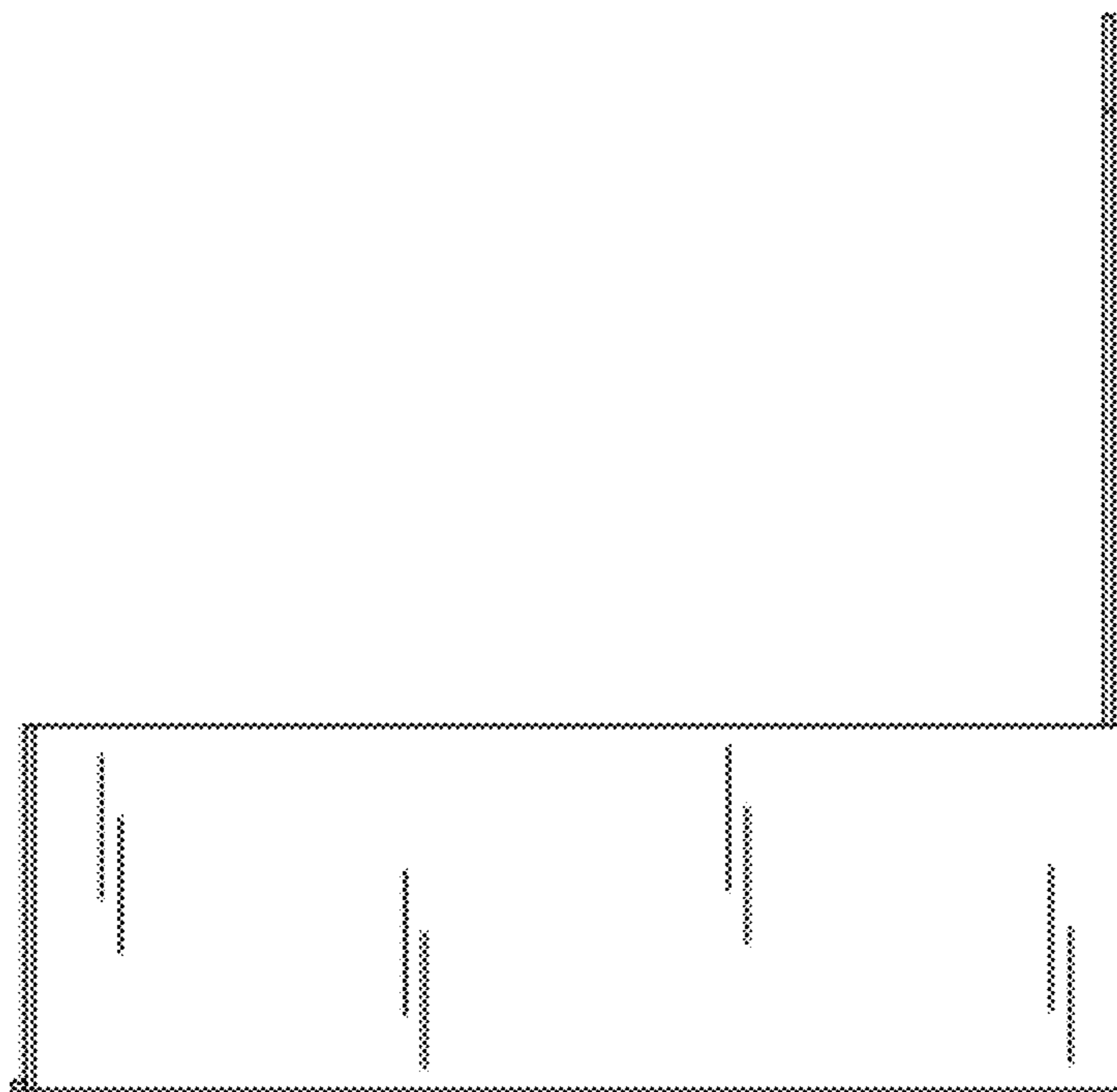


FIG. 6

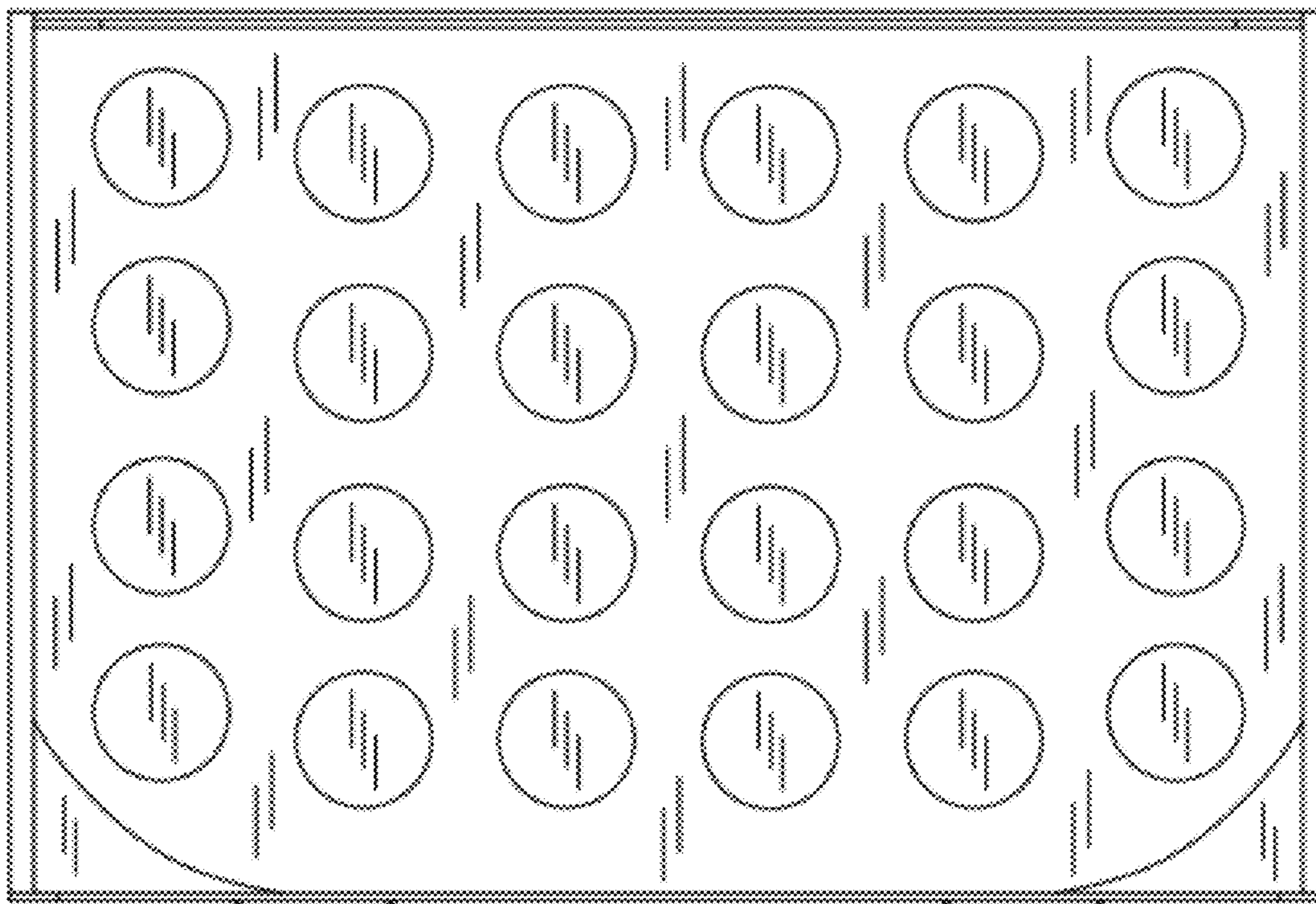


FIG. 7