



US00D673794S

(12) **United States Design Patent**
Rogos

(10) **Patent No.:** **US D673,794 S**
(45) **Date of Patent:** **** Jan. 8, 2013**

(54) **BEVERAGE PRESENTATION DEVICE**

(76) Inventor: **Matthew Rogos**, Greensburg, PA (US)

(**) Term: **14 Years**

(21) Appl. No.: **29/402,919**

(22) Filed: **Sep. 29, 2011**

Related U.S. Application Data

(63) Continuation of application No. 13/242,333, filed on Sep. 23, 2011, now abandoned.

(51) **LOC (9) Cl.** **06-04**

(52) **U.S. Cl.** **D6/469**

(58) **Field of Classification Search** D6/396,
D6/397, 449, 450, 454-470; 211/1, 4, 10,
211/13.1, 40, 49.1, 50, 70, 71.01, 72, 74,
211/79, 85.6, 86.01, 149, 189; D7/602, 605,
D7/707; D9/755; D15/79, 81; 126/33; 206/362.1;
248/176.1; 40/539

See application file for complete search history.

(56) **References Cited**

U.S. PATENT DOCUMENTS

1,505,299 A * 8/1924 Stirn 126/33
D101,154 S * 9/1936 Woodfield D7/707
D154,404 S * 7/1949 Levy D6/469

D209,240 S * 11/1967 Plogsted D9/755
D216,713 S * 3/1970 Buchwack D6/457
D230,229 S * 2/1974 Dolgoff D6/457
D323,441 S * 1/1992 Waldeck D6/469
D407,243 S * 3/1999 Thoesen D6/469
D416,405 S * 11/1999 Thoesen D6/469
7,299,922 B2 * 11/2007 Ceballos 206/362.1

* cited by examiner

Primary Examiner — Mary Ann Calabrese

(74) *Attorney, Agent, or Firm* — Ference & Associates LLC

(57) **CLAIM**

The ornamental design for a beverage presentation device, as shown and described.

DESCRIPTION

FIG. 1 is a perspective view of my new design for a beverage presentation device.

FIG. 2 is a front view thereof.

FIG. 3 is a rear view thereof.

FIG. 4 is a left view thereof.

FIG. 5 is a right view thereof.

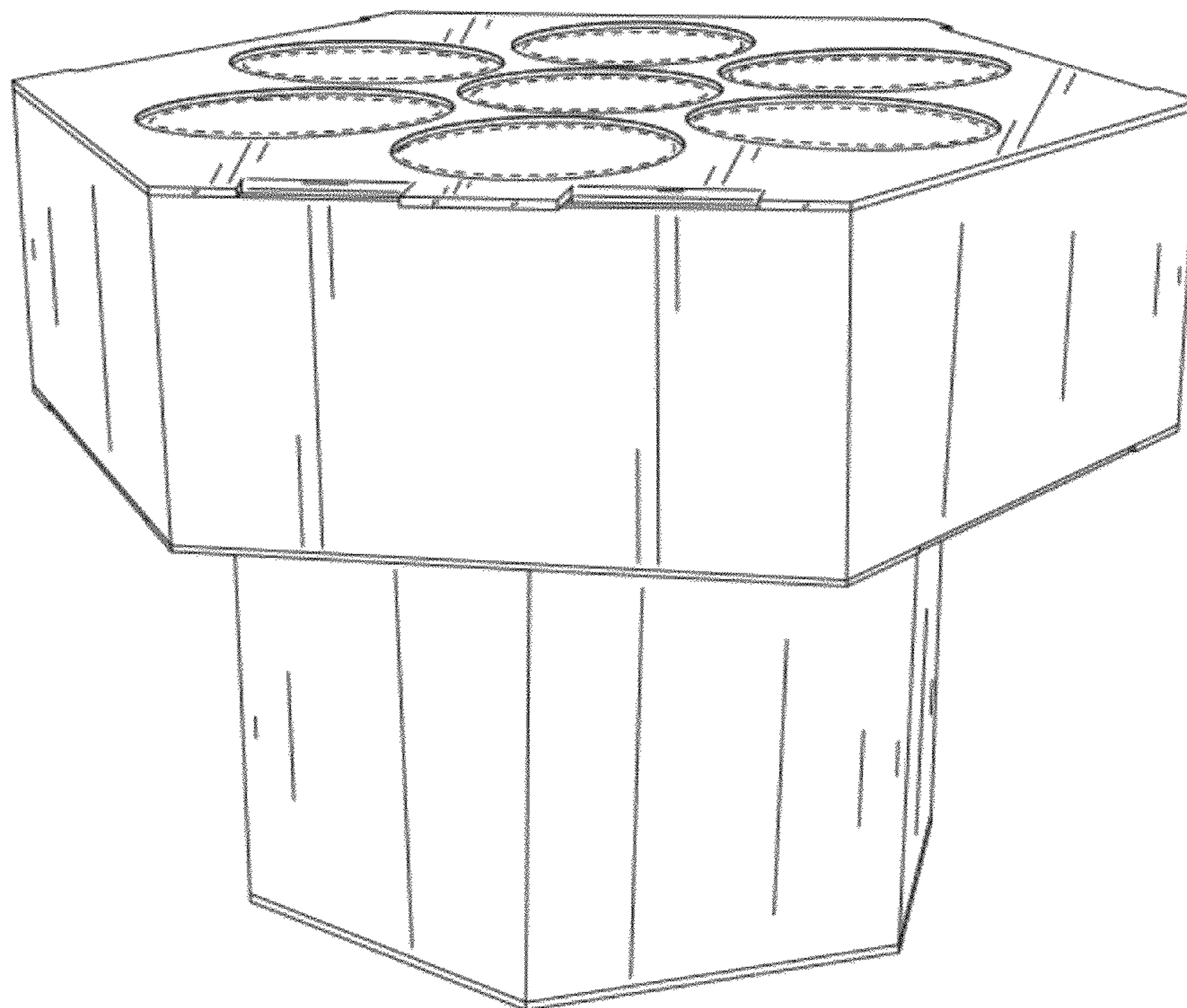
FIG. 6 is a top view thereof.

FIG. 7 is a bottom view thereof; and,

FIG. 8 is a perspective view thereof.

The broken lines in the drawings form no part of the claimed design.

1 Claim, 8 Drawing Sheets



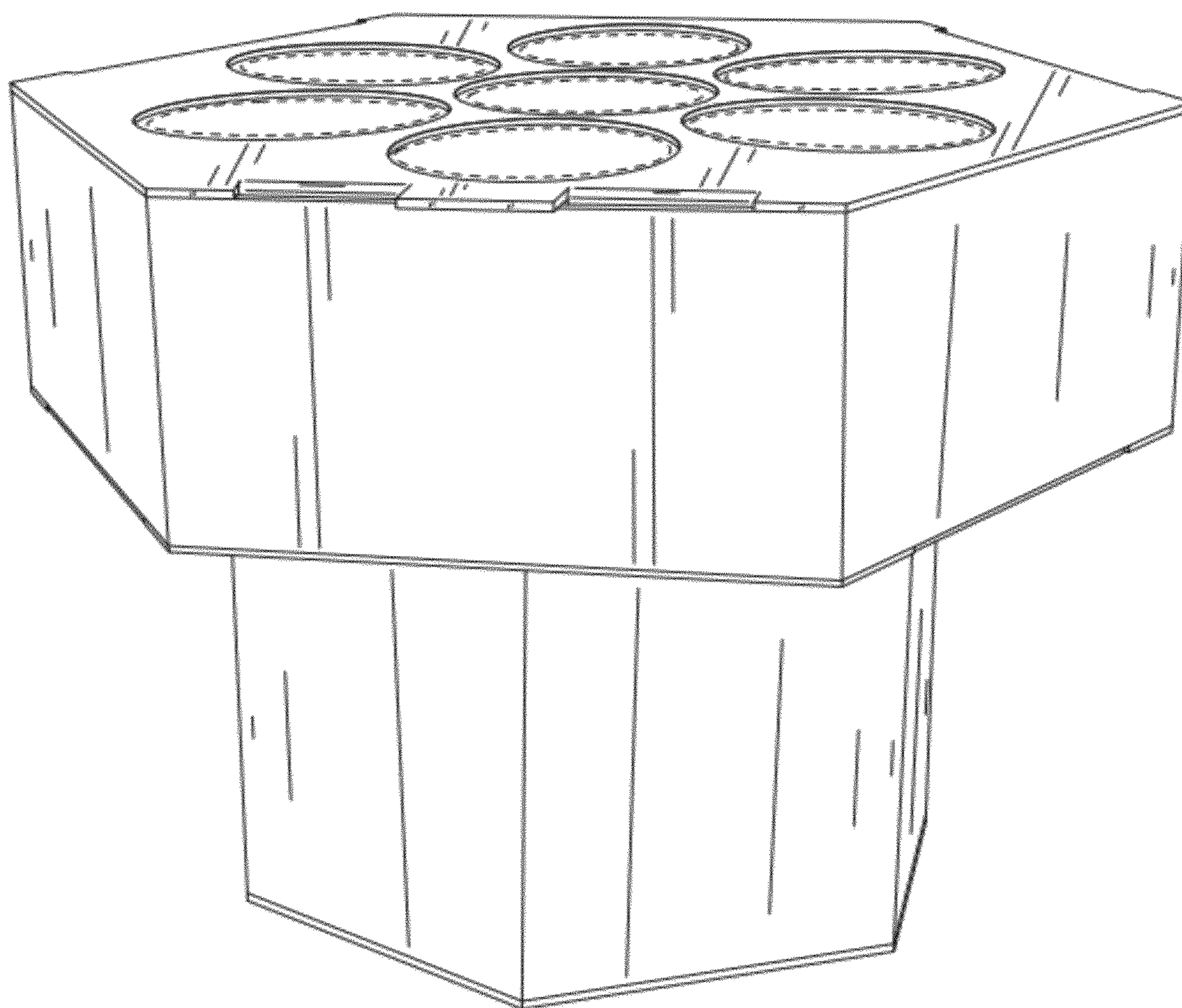


FIG. 1

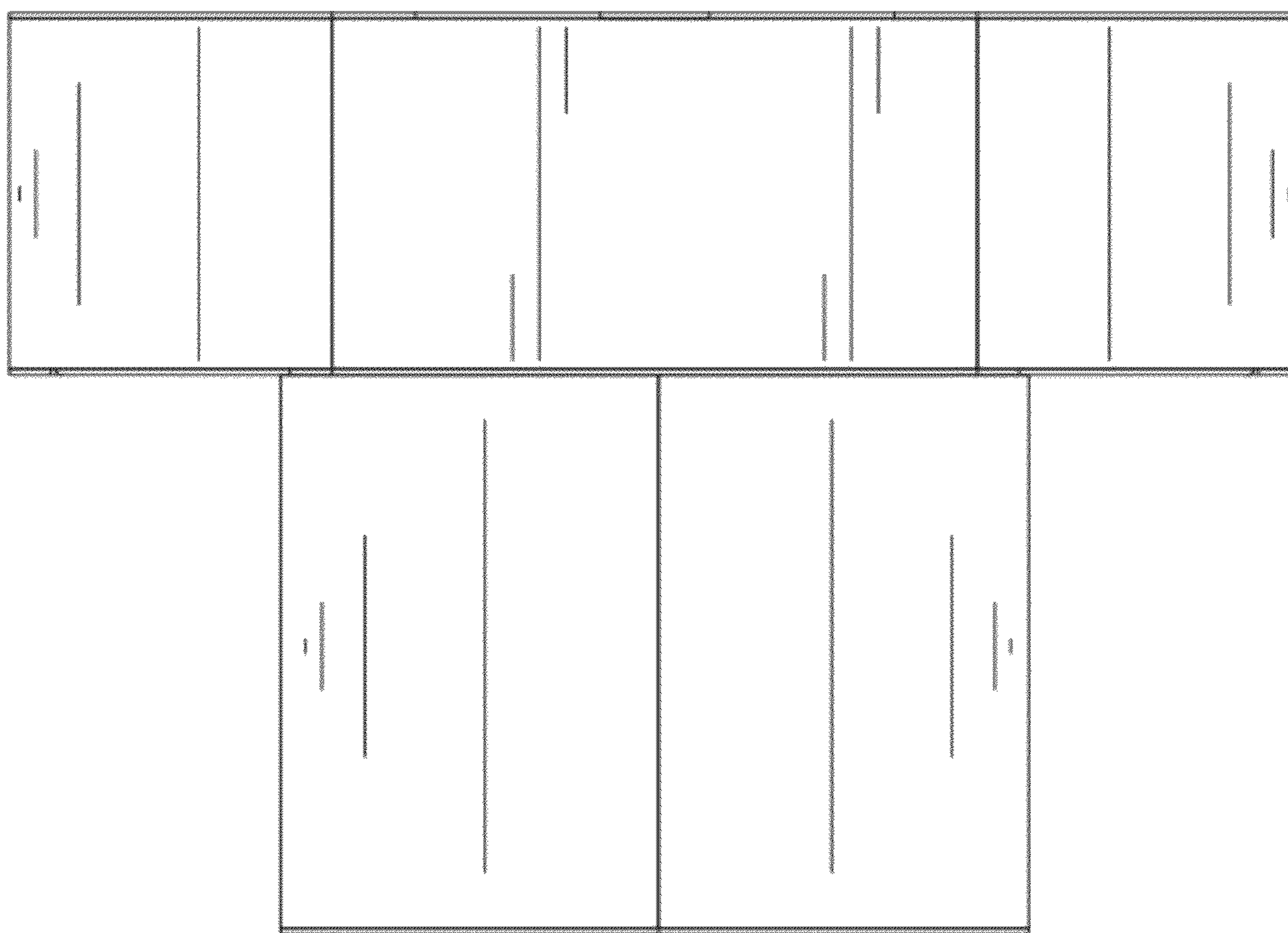


FIG. 2

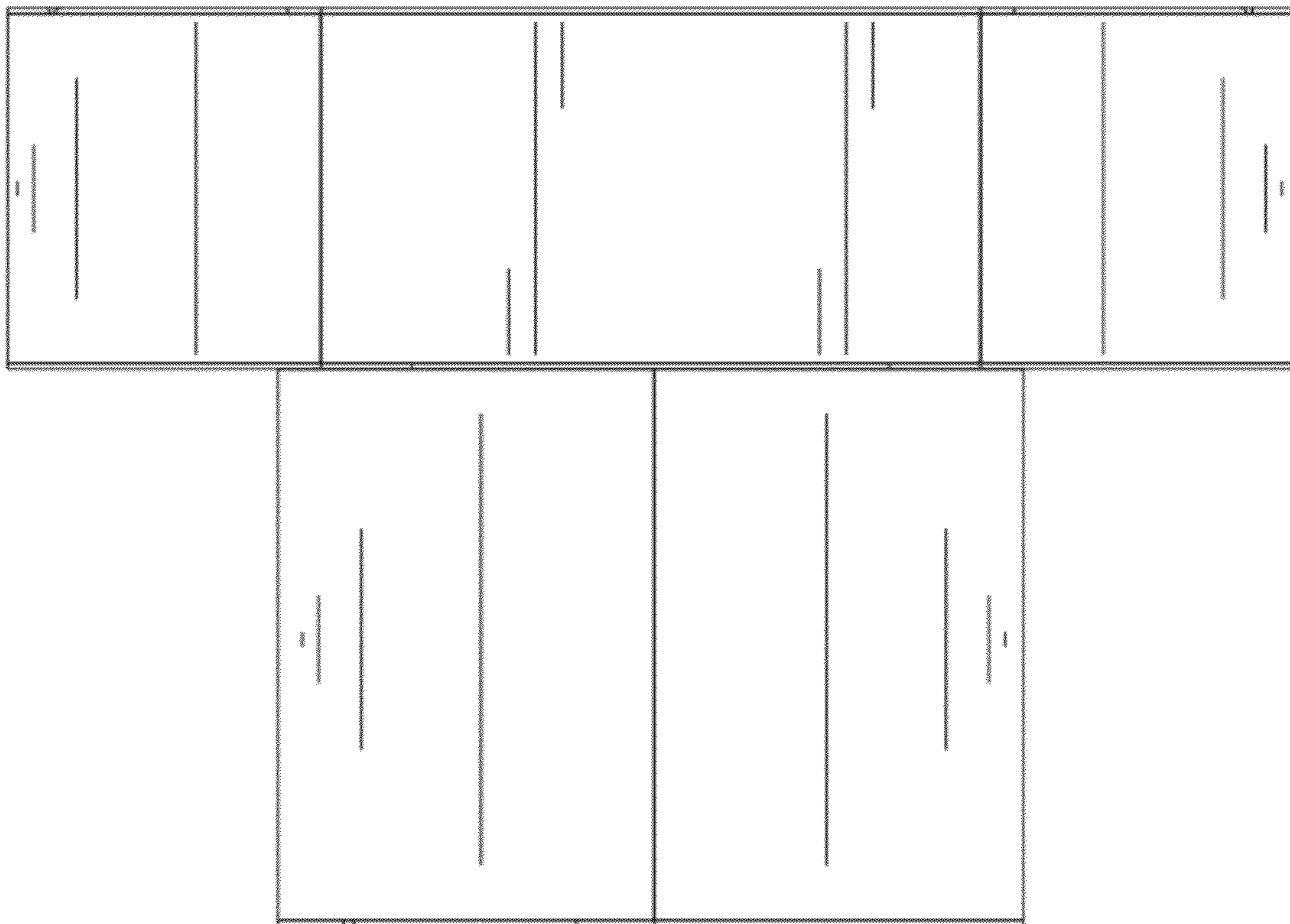


FIG. 3

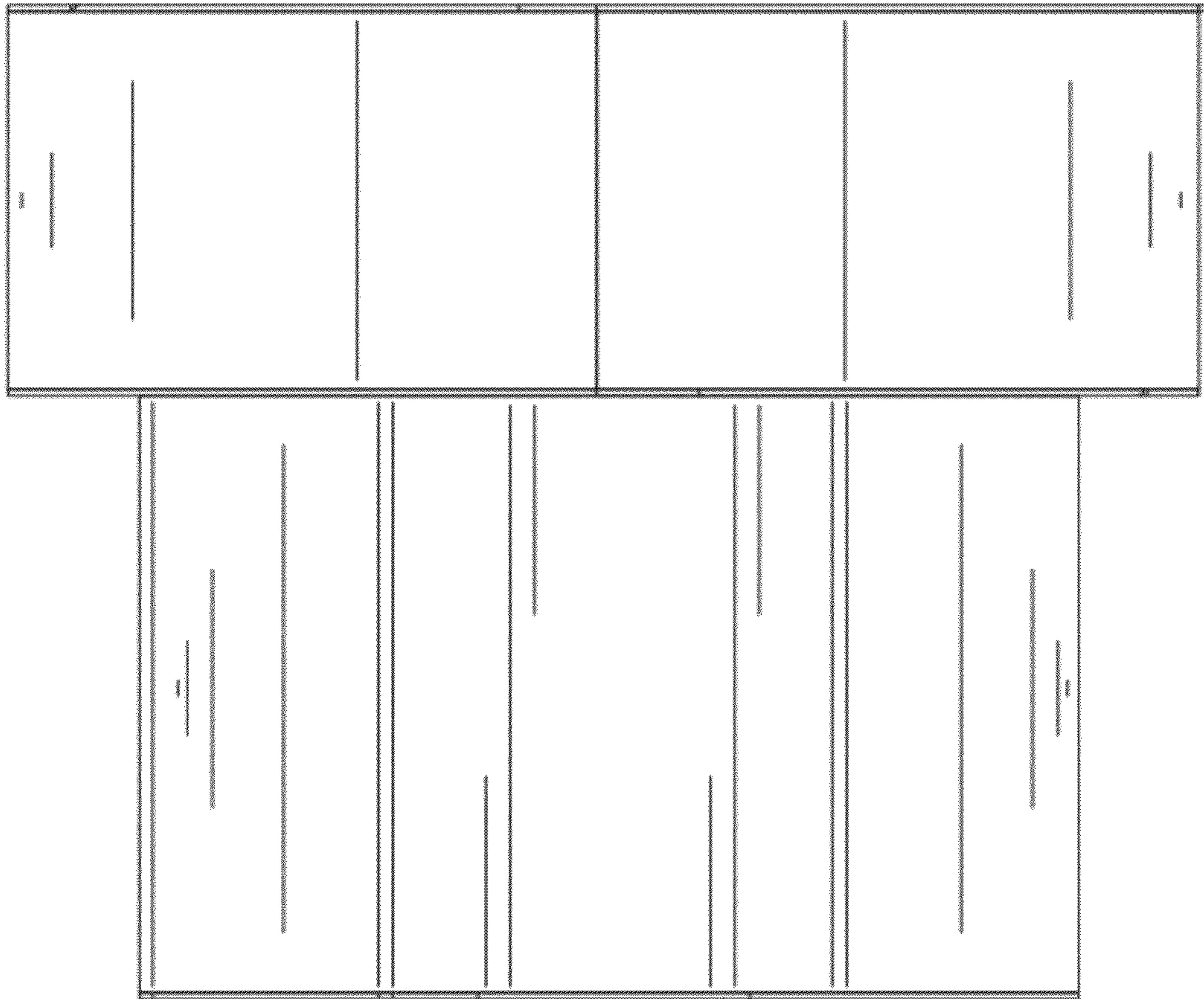


FIG. 4

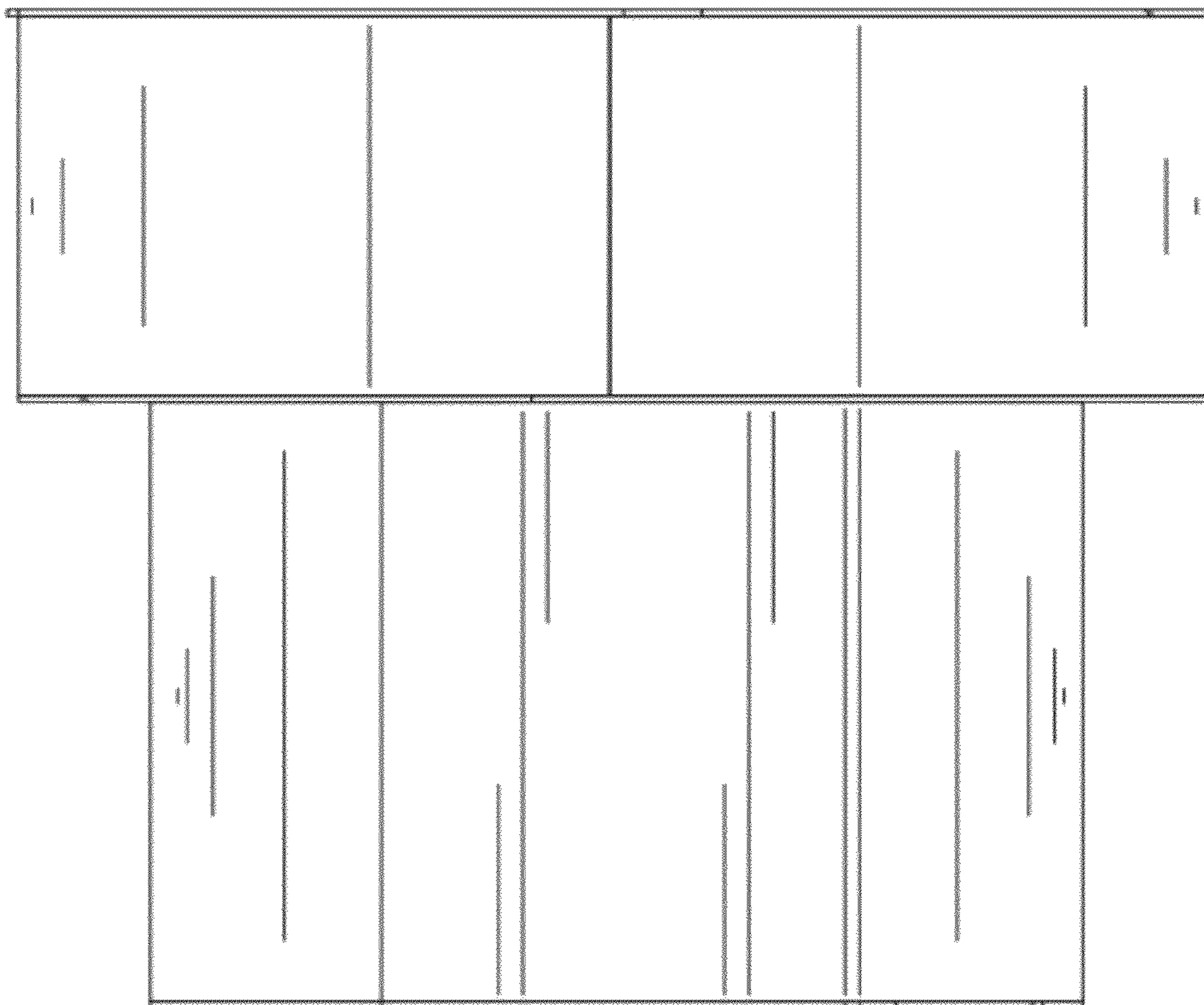


FIG. 5

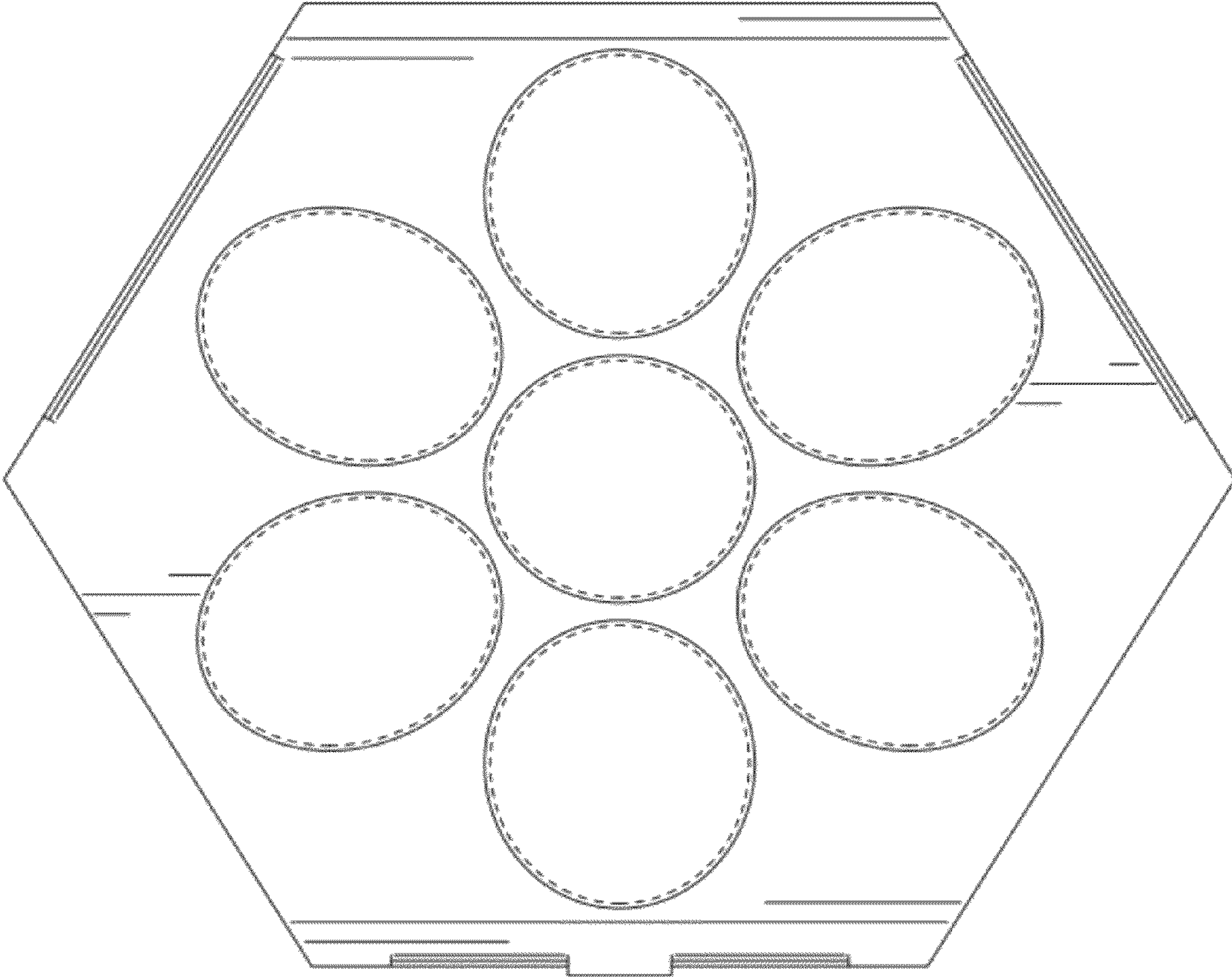


FIG. 6

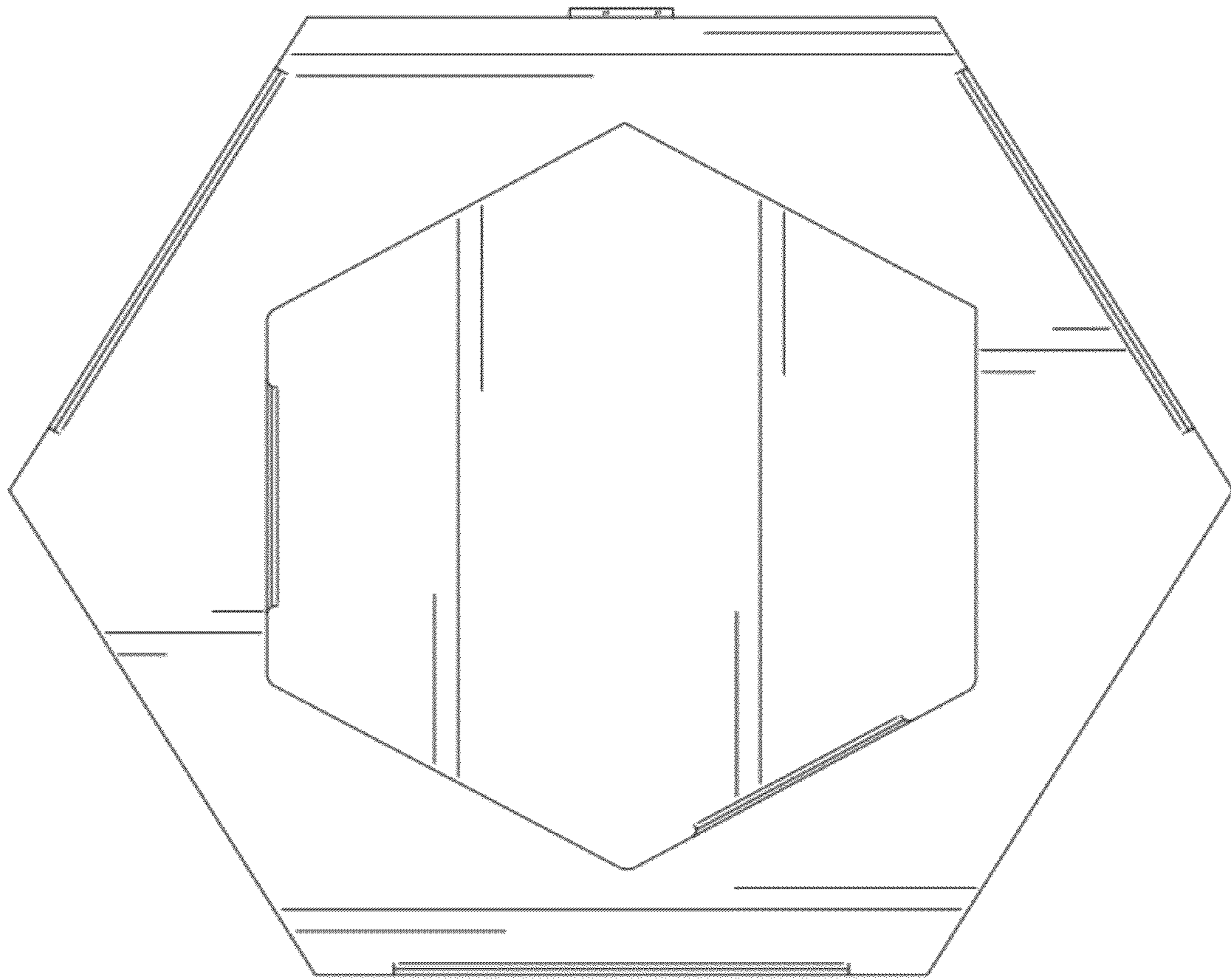


FIG. 7

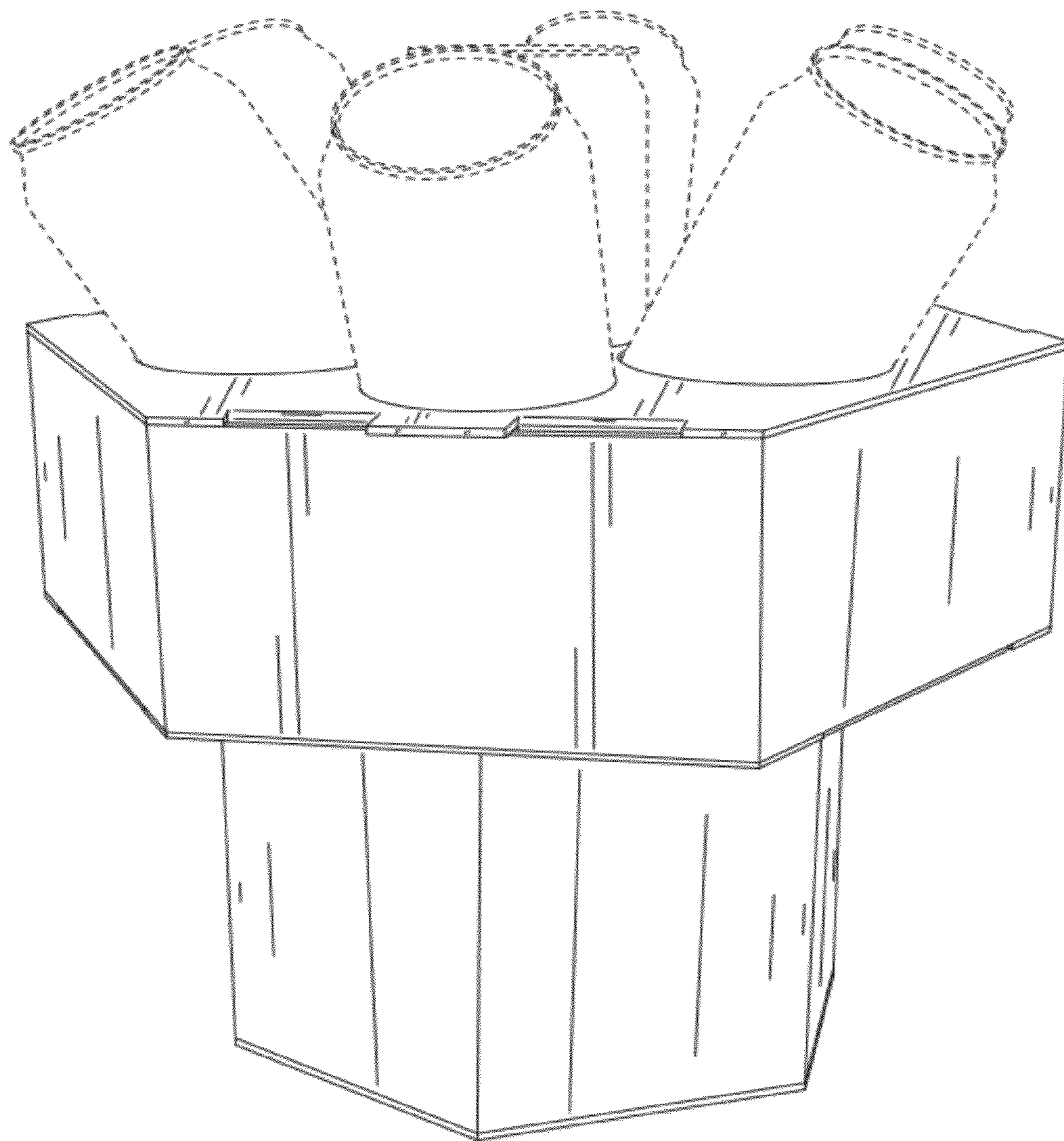


FIG. 8