



US00D673793S

(12) **United States Design Patent**
McKsymick

(10) **Patent No.:** **US D673,793 S**

(45) **Date of Patent:** **** Jan. 8, 2013**

(54) **PORTABLE, COMPACT COMPUTER AND PROJECTOR STAND**

D474,044 S * 5/2003 Holbrook et al. D6/428
D515,841 S * 2/2006 Hsu D6/429
D536,394 S * 2/2007 Meoli et al. D21/397

(76) Inventor: **Mark McKsymick**, Fountain Hills, AZ
(US)

* cited by examiner

(**) Term: **14 Years**

Primary Examiner — Janice Seeger

(21) Appl. No.: **29/392,862**

(74) *Attorney, Agent, or Firm* — Patent, Copyright & Trademark Law Group, LLC; Howard L. Wernow; John D. Gugliotta, PE, Esq.

(22) Filed: **May 27, 2011**

(57) **CLAIM**

(51) **LOC (9) Cl.** **06-03**

The ornamental design for an improved portable, compact computer and projector stand, as shown and described.

(52) **U.S. Cl.** **D6/429; D6/480**

(58) **Field of Classification Search** D6/480–489,
D6/495–499, 429–431, 466, 467, 406.5, 406.6;
108/150, 153.1, 156, 157, 161, 50.01, 50.02,
108/146, 147.19; 248/188, 118.1, 188.5,
248/188.7, 188.8; D7/553.4, 553.2

DESCRIPTION

See application file for complete search history.

FIG. 1 is a front isometric view of the portable computer/projector stand according to the preferred embodiment of the present invention;

FIG. 2 is a rear isometric view thereof;

FIG. 3 is a front elevational view thereof;

FIG. 4 is a rear elevational view thereof; and,

FIG. 5 is a right side elevational view thereof.

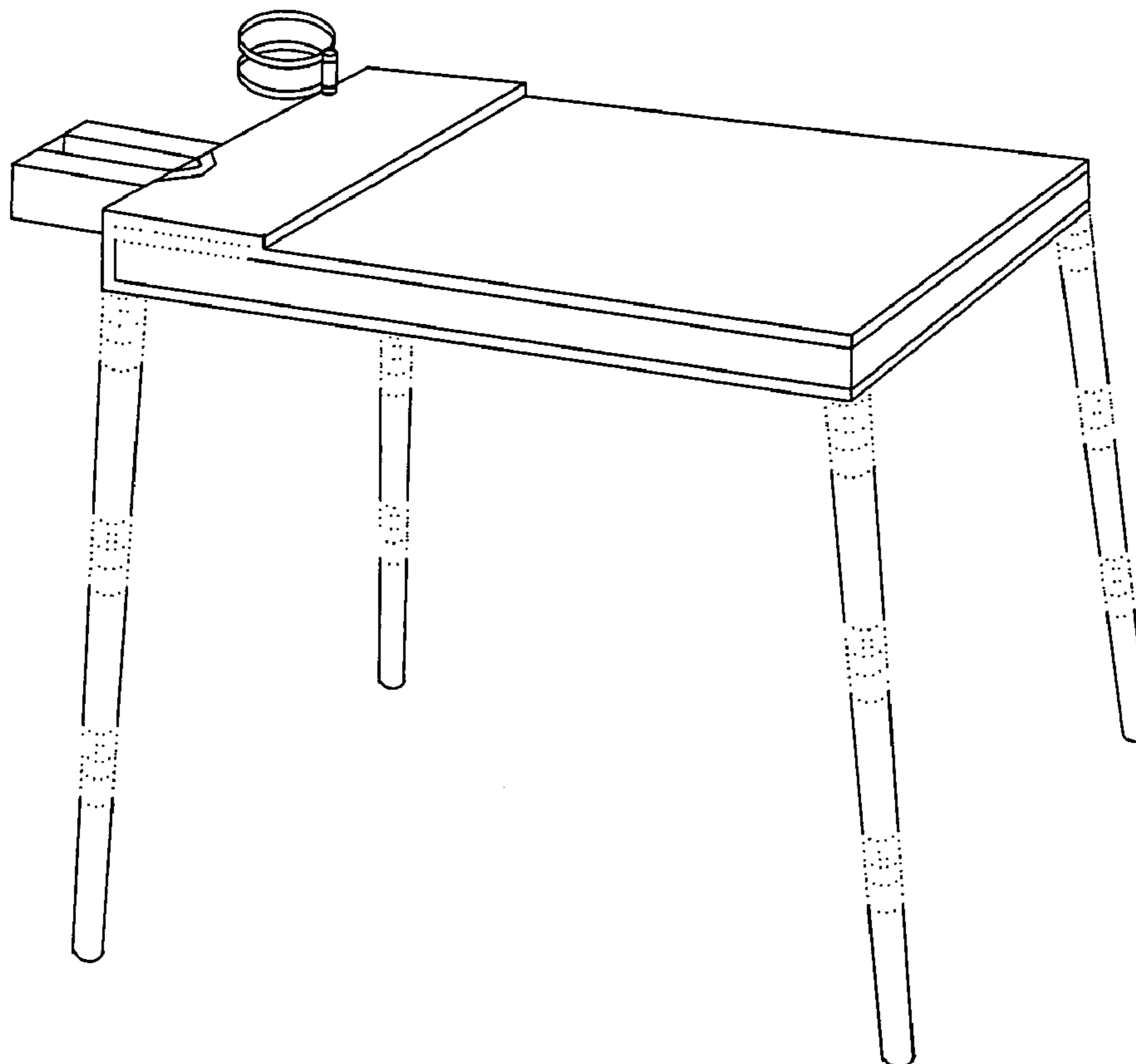
The broken lines are for environmental purposes only and form no part of the claimed design.

(56) **References Cited**

U.S. PATENT DOCUMENTS

D378,029 S * 2/1997 Clark D6/396
D424,828 S * 5/2000 Ko D6/429
D473,068 S * 4/2003 Holbrook et al. D6/428

1 Claim, 5 Drawing Sheets



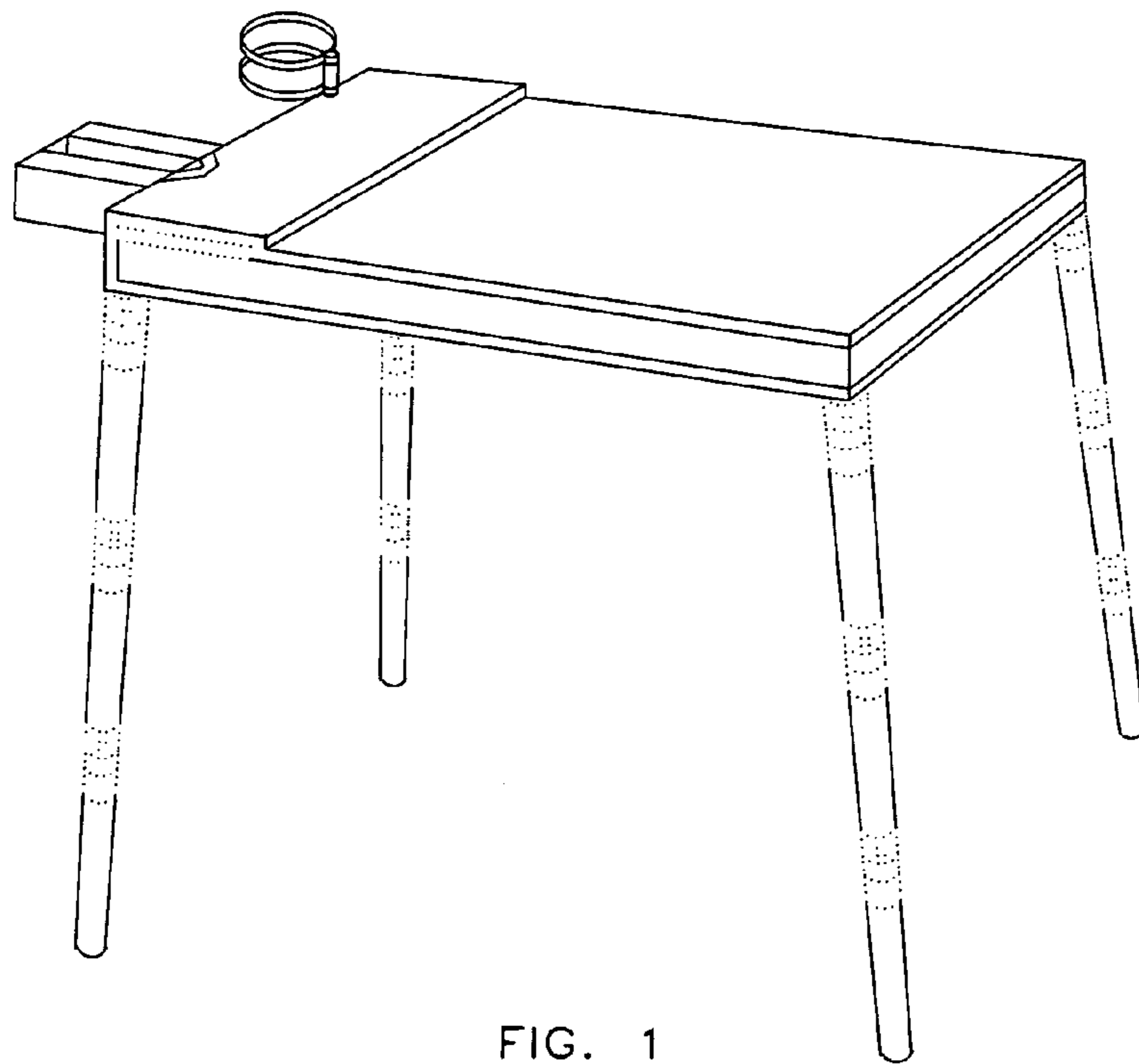


FIG. 1

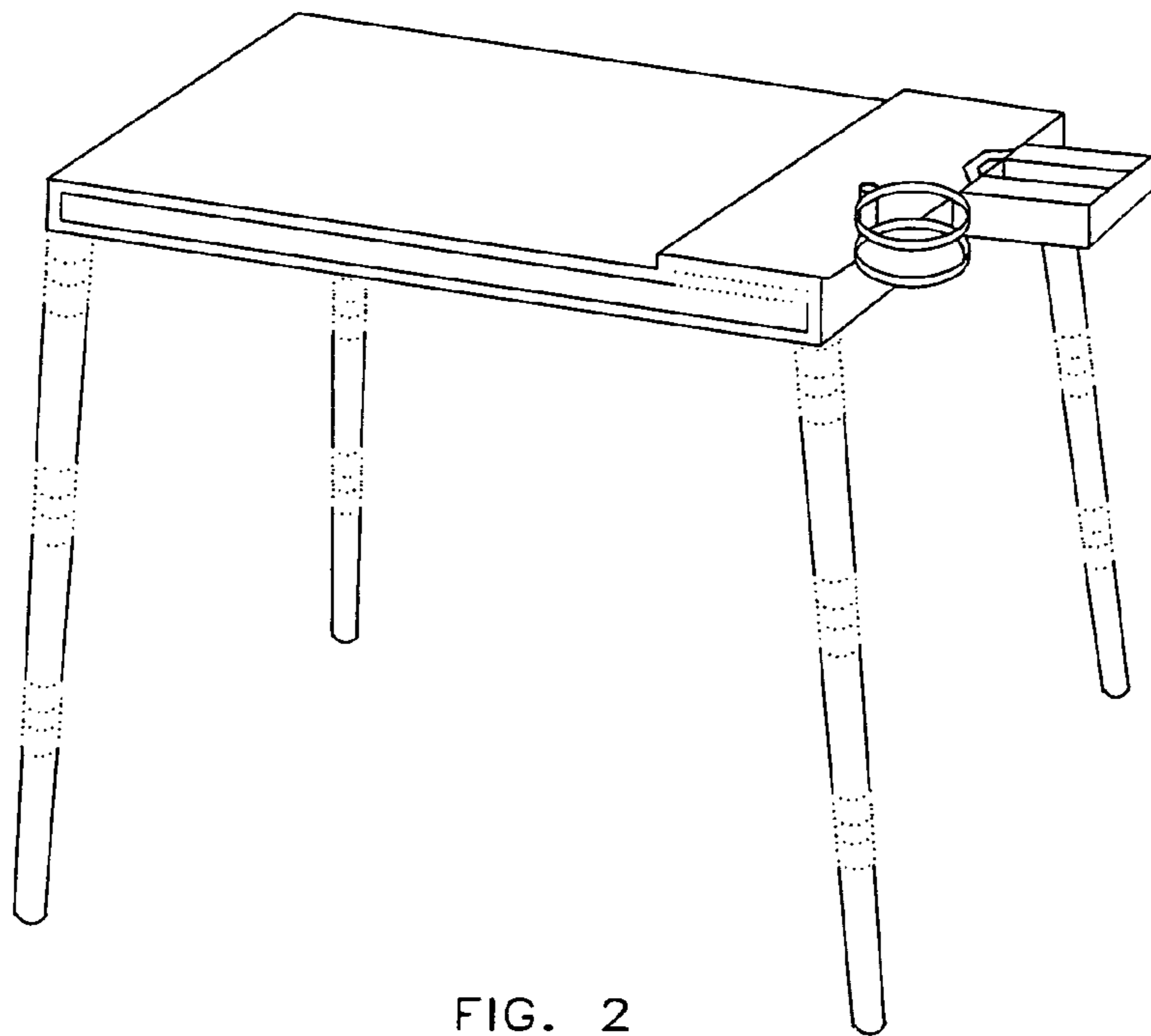


FIG. 2

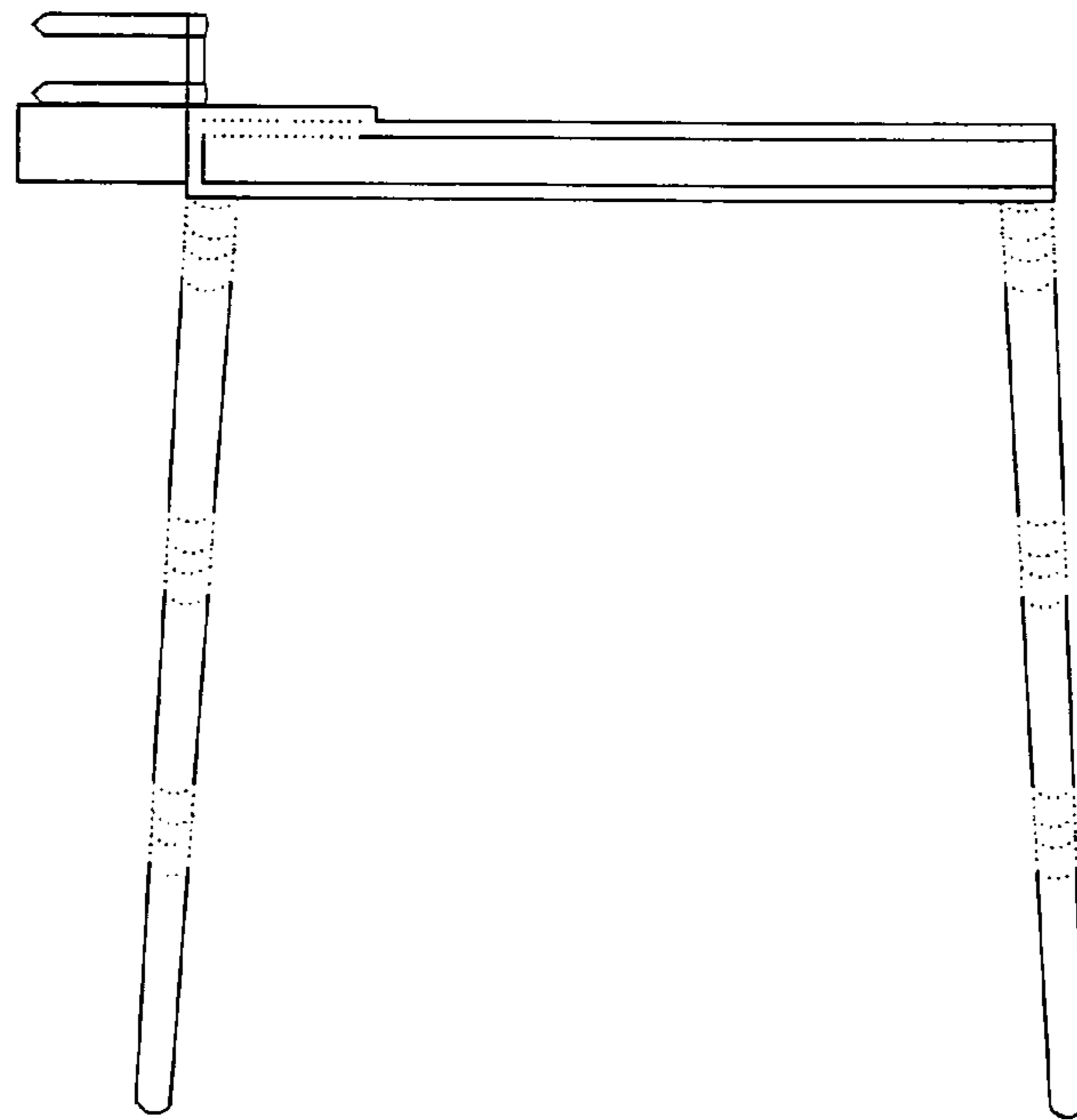


FIG. 3

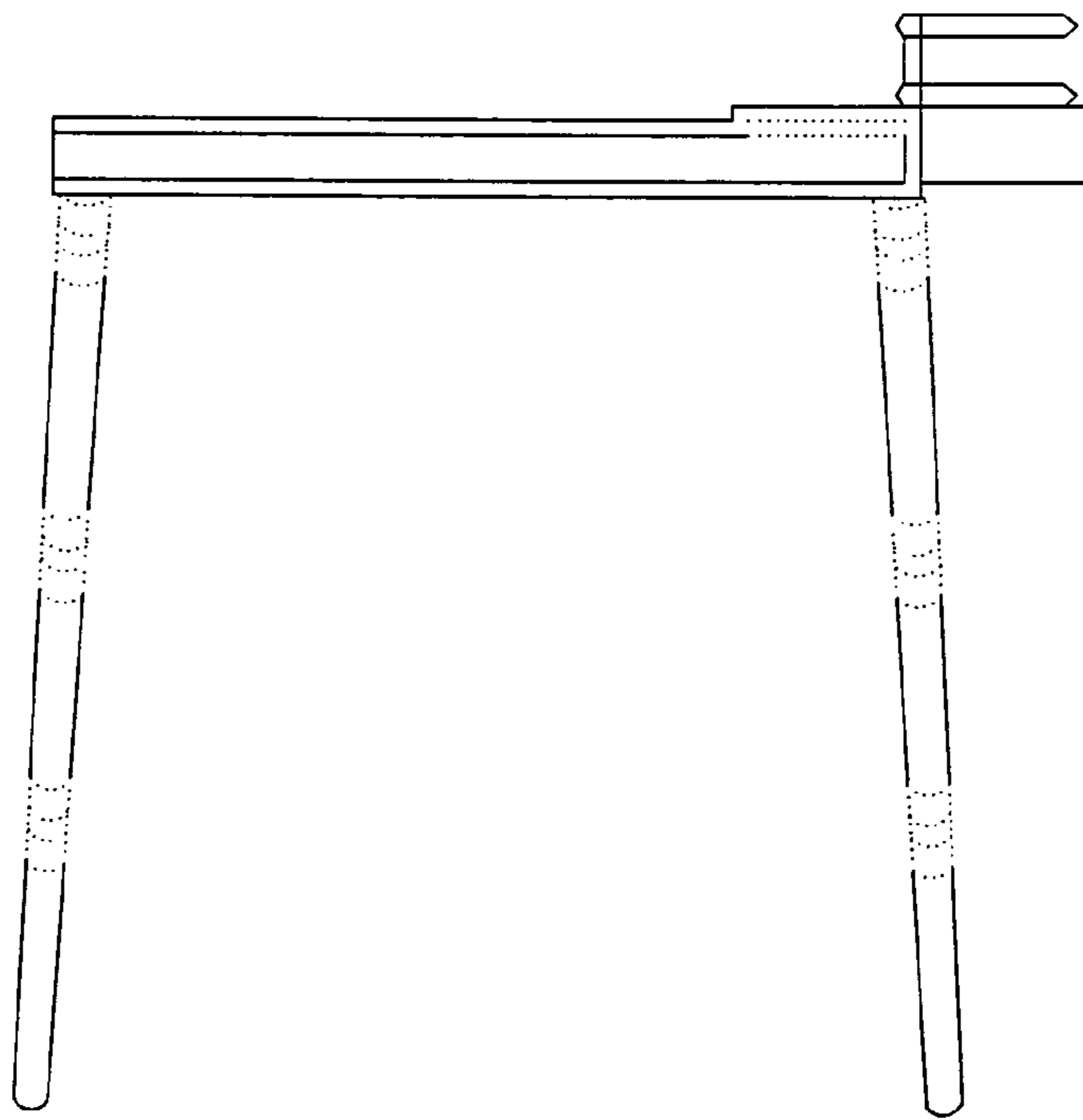


FIG. 4

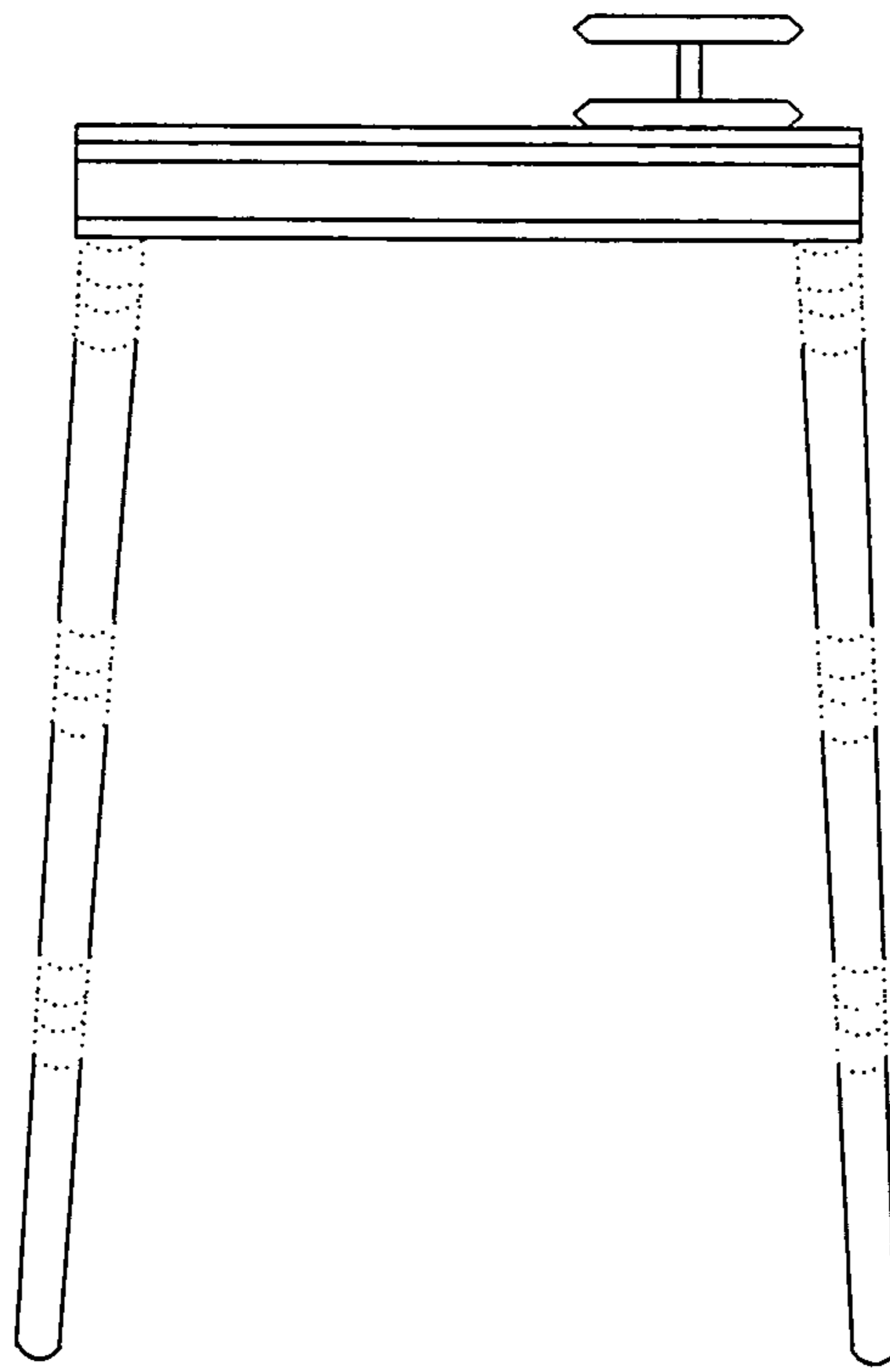


FIG. 5