



US00D673792S

(12) **United States Design Patent**  
**Hertaus**

(10) **Patent No.:** **US D673,792 S**  
(45) **Date of Patent:** **\*\* \*Jan. 8, 2013**

- (54) **WIRE FRAME DISC CONTAINER CAROUSEL**
- (75) Inventor: **Alan R. Hertaus**, LeSueur, MN (US)
- (73) Assignee: **Lipper International, Inc.**, Wallingford, CT (US)
- (\*) Notice: This patent is subject to a terminal disclaimer.
- (\*\*) Term: **14 Years**
- (21) Appl. No.: **29/363,919**
- (22) Filed: **Jun. 16, 2010**
- (51) **LOC (9) Cl.** ..... **06-04**
- (52) **U.S. Cl.** ..... **D6/407; D6/628; D6/630**
- (58) **Field of Classification Search** ..... D6/407, D6/510, 626-635, 462, 465, 469, 475, 476, D6/487, 490, 566; D9/415, 418, 420, 422-426, D9/428, 432-433; D19/26-27; 206/307, 206/307.1, 308.1, 309-313, 308.2, 308.3, 206/445, 387.15, 749, 751; D3/273, 294, D3/295, 299-301, 303-304, 218, 201, 270; 312/9.1, 902, 9.9, 9.48, 9.55, 9.64, 9.47, 312/9.53, 9.4, 9.8, 9.31, 9.45, 9.46; D14/478-479; 211/40, 41.12, 41.4; D7/600.2  
See application file for complete search history.

D153,090 S	3/1949	Sexton	
2,883,063 A	4/1959	Baren	
2,927,697 A *	3/1960	Hoover	211/50
D202,848 S *	11/1965	Kurtz	D6/458
3,283,913 A	11/1966	Van Horn, Jr.	
D278,773 S *	5/1985	Licari et al.	D6/462
D337,007 S *	7/1993	Hanson	D6/462
D361,463 S *	8/1995	Todd	D6/629
D399,394 S	10/1998	Rapaz	
D401,786 S *	12/1998	Sinclair	D6/462
5,875,895 A *	3/1999	Dardashti	206/573
D462,223 S *	9/2002	Beer	D6/630
D490,273 S	5/2004	Hockey	
D493,660 S *	8/2004	Goodman et al.	D6/630
D514,367 S *	2/2006	Dardashti	D6/630
D521,303 S *	5/2006	Yu	D6/630
D544,308 S	6/2007	Tiemann	
D586,185 S	2/2009	Tiemann	
D592,426 S *	5/2009	Goodman et al.	D6/462
D643,684 S *	8/2011	Tiemann	D7/600.2
D646,526 S *	10/2011	Chen	D7/600.1

\* cited by examiner

*Primary Examiner* — T. Chase Nelson  
(74) *Attorney, Agent, or Firm* — Lucas & Mercanti, LLP

(57) **CLAIM**  
The ornamental design for a wire frame disc container carousel, as shown and described.

**DESCRIPTION**

FIG. 1 is a perspective view of the design;  
FIG. 2 is a side elevational view of the design;  
FIG. 3 is an elevational view of the design;  
FIG. 4 is a top plan view of the design; and,  
FIG. 5 is a bottom plan view of the design.

**1 Claim, 5 Drawing Sheets**

- (56) **References Cited**  
U.S. PATENT DOCUMENTS  
1,581,749 A 4/1926 Mahony  
D120,494 S \* 5/1940 Watral ..... D7/704

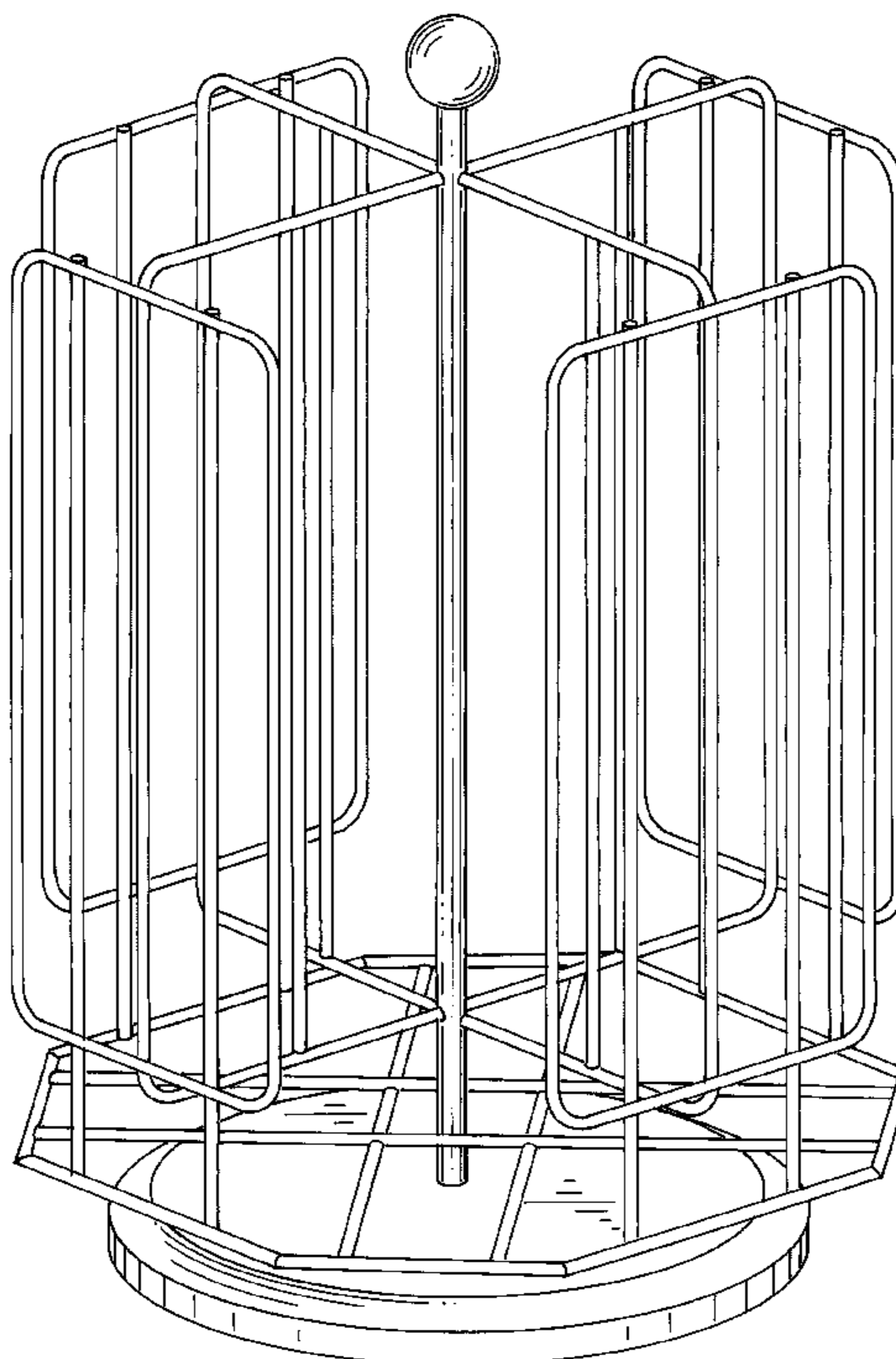
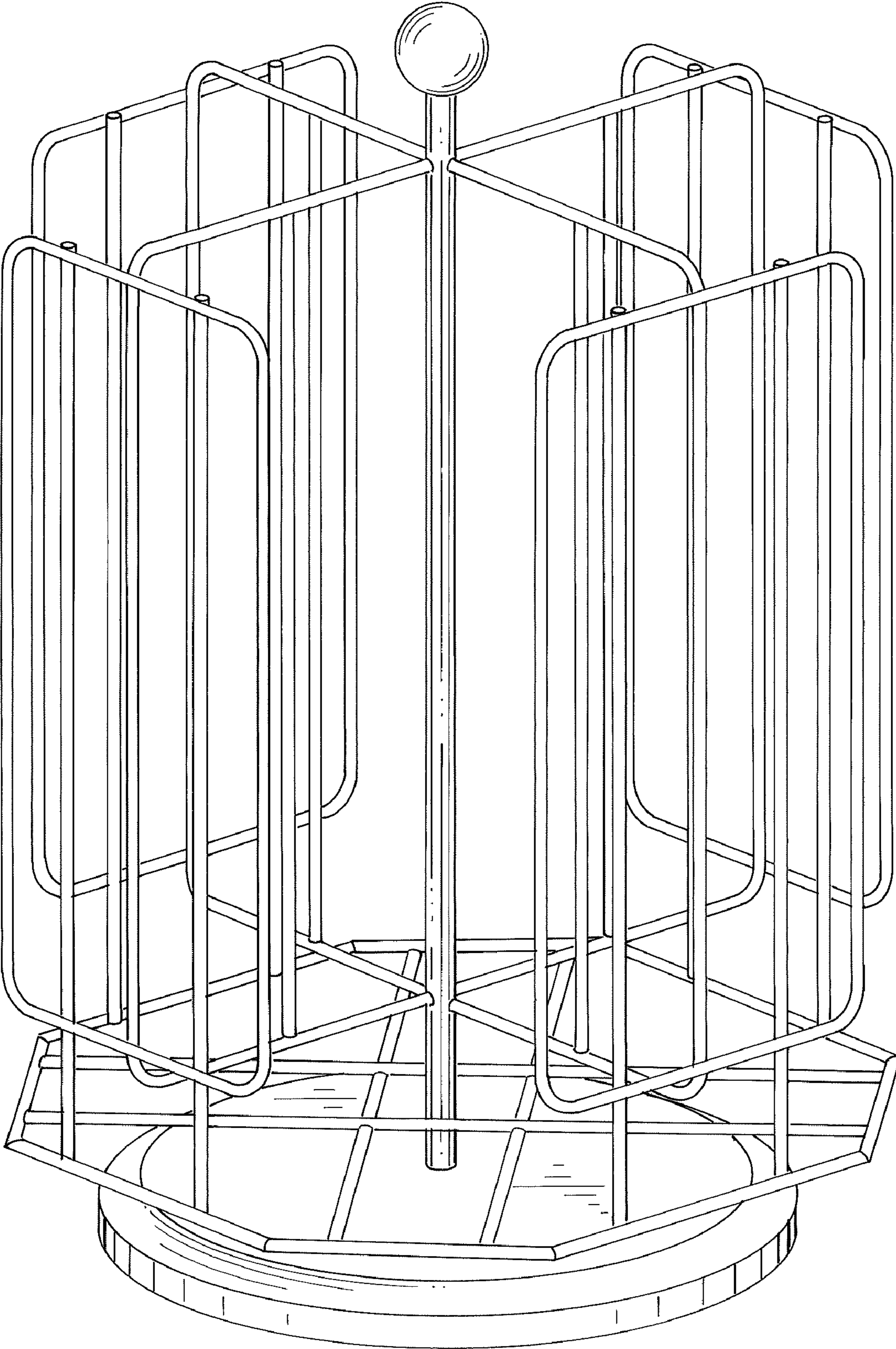
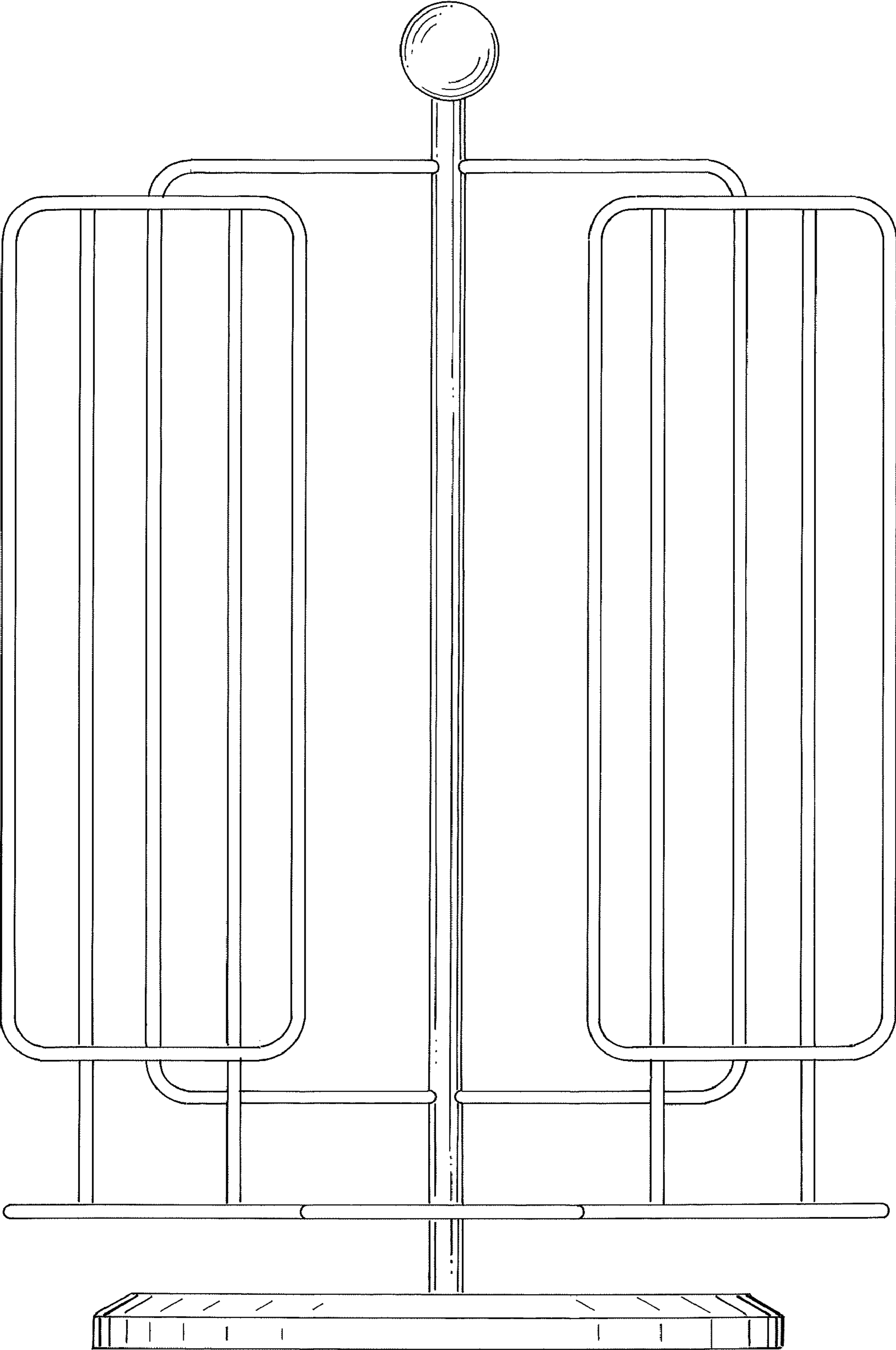


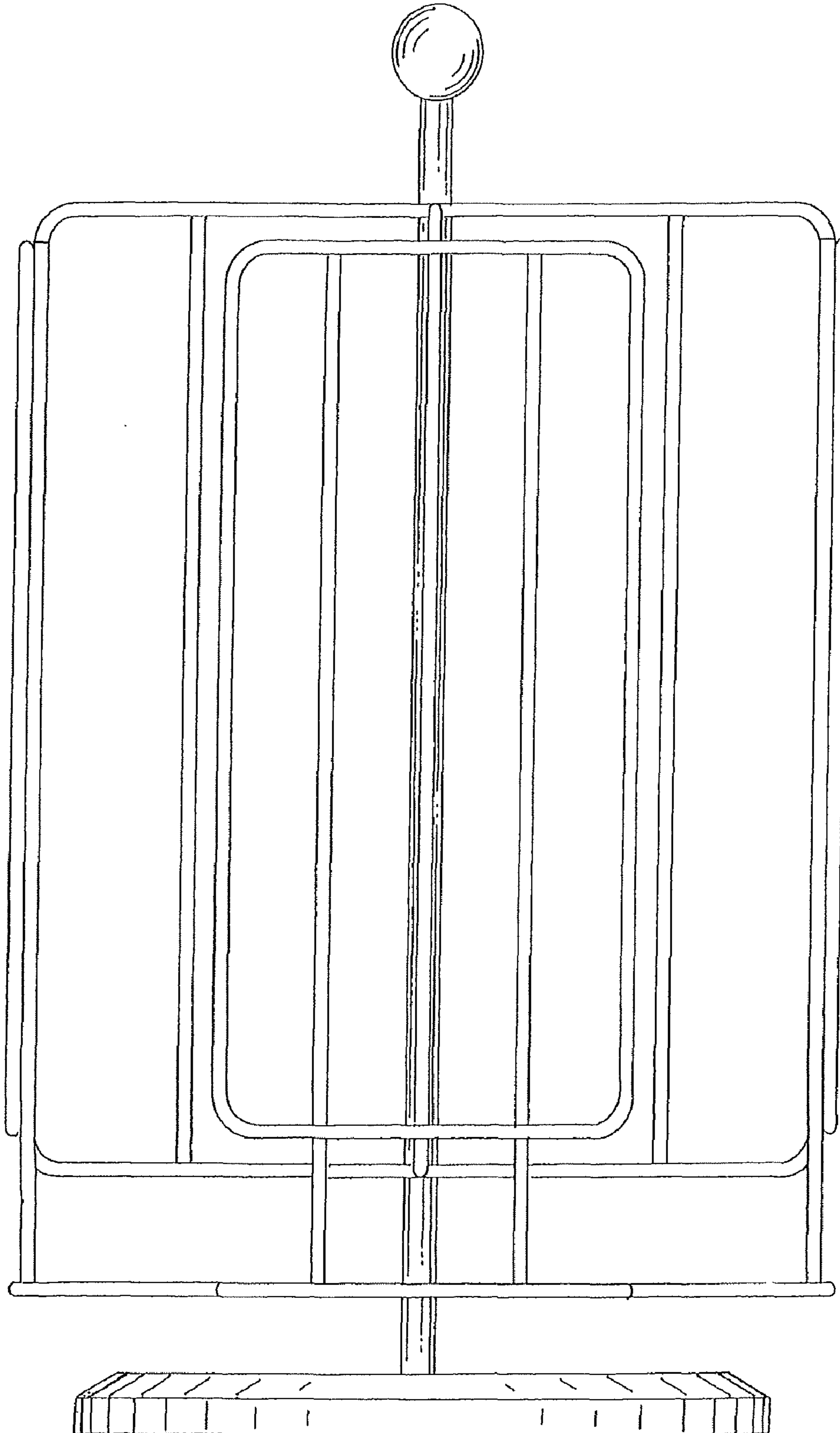
Fig. -1



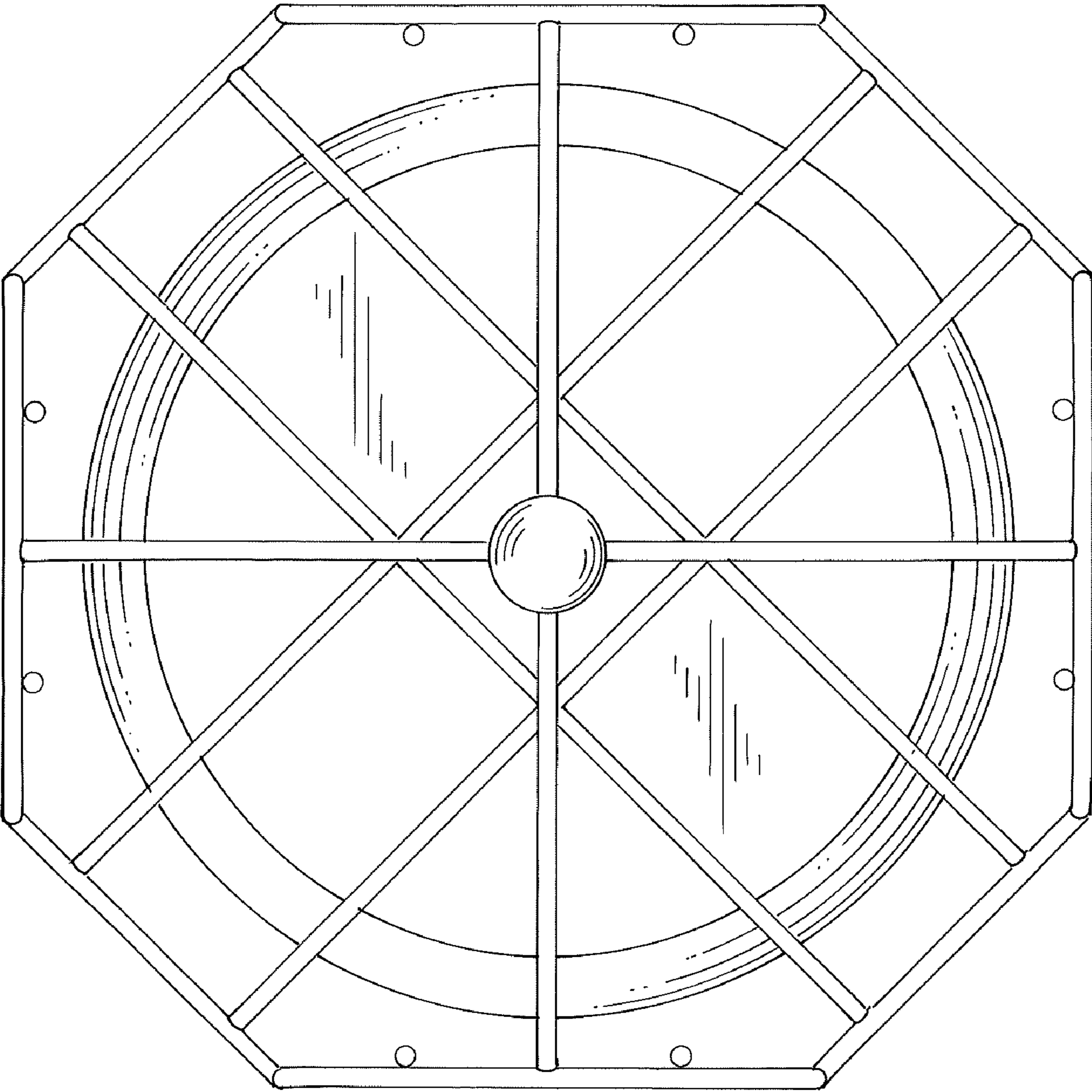
*Fig.-2*



*Fig. - 3*



*Fig. - 4*



*Fig.-5*

