



US00D673787S

(12) **United States Design Patent**  
**Bartlmae**

(10) **Patent No.:** **US D673,787 S**

(45) **Date of Patent:** **\*\* Jan. 8, 2013**

(54) **STACKABLE CHAIR**

(76) Inventor: **Kerstin Bartlmae, S. Margherita Lig.**  
(IT)

(\*\*) Term: **14 Years**

(21) Appl. No.: **29/401,124**

(22) Filed: **Sep. 7, 2011**

(51) **LOC (9) Cl.** ..... **06-01**

(52) **U.S. Cl.** ..... **D6/380**

(58) **Field of Classification Search** ..... D6/334-336,  
D6/360, 370, 374, 375, 376, 379, 380, 500-502;  
297/239, 445.1, 446.1, 446.2, 452.2, 452.63

See application file for complete search history.

(56) **References Cited**

**U.S. PATENT DOCUMENTS**

D195,256 S *	5/1963	Anderson et al. ....	D6/374
D205,658 S *	9/1966	Muller .....	D6/374
D289,469 S *	4/1987	Tonon .....	D6/379
D356,696 S *	3/1995	Arthur, Jr. ....	D6/376
D411,694 S *	6/1999	Bartlmae .....	D6/380
D429,911 S *	8/2000	Bartlmae .....	D6/380

D468,926 S *	1/2003	Bongaerts .....	D6/380
D485,081 S *	1/2004	Bongaerts .....	D6/360
D502,331 S *	3/2005	Socha et al. ....	D6/374

\* cited by examiner

*Primary Examiner* — Mimoso De

(74) *Attorney, Agent, or Firm* — SAIDMAN DesignLaw Group

(57) **CLAIM**

The ornamental design for a stackable chair, as shown and described.

**DESCRIPTION**

FIG. 1 is a perspective view of a stackable chair showing my new design;

FIG. 2 is a front view thereof;

FIG. 3 is a rear view thereof;

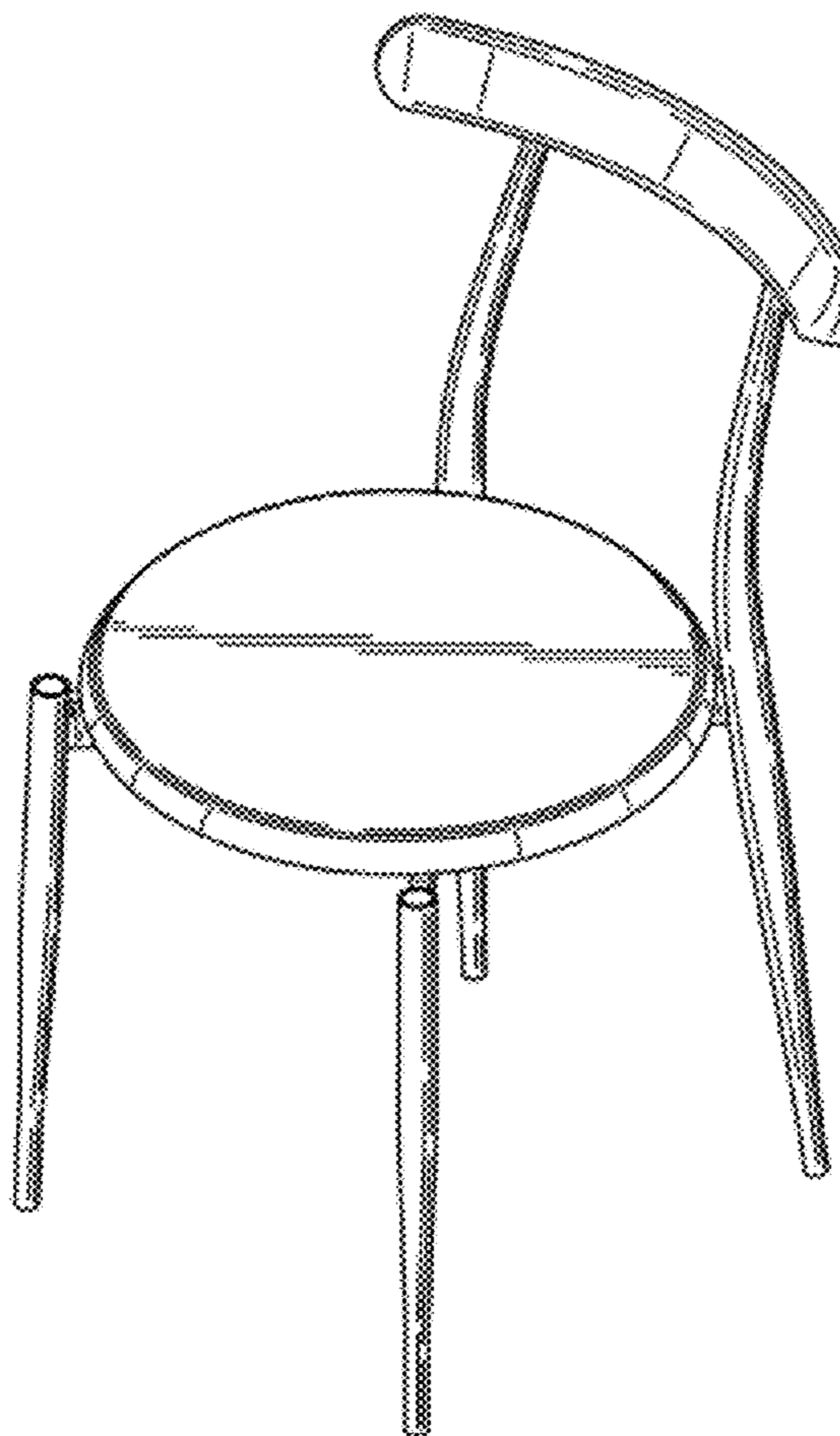
FIG. 4 is a right side view thereof, the left side view being a mirror image thereof;

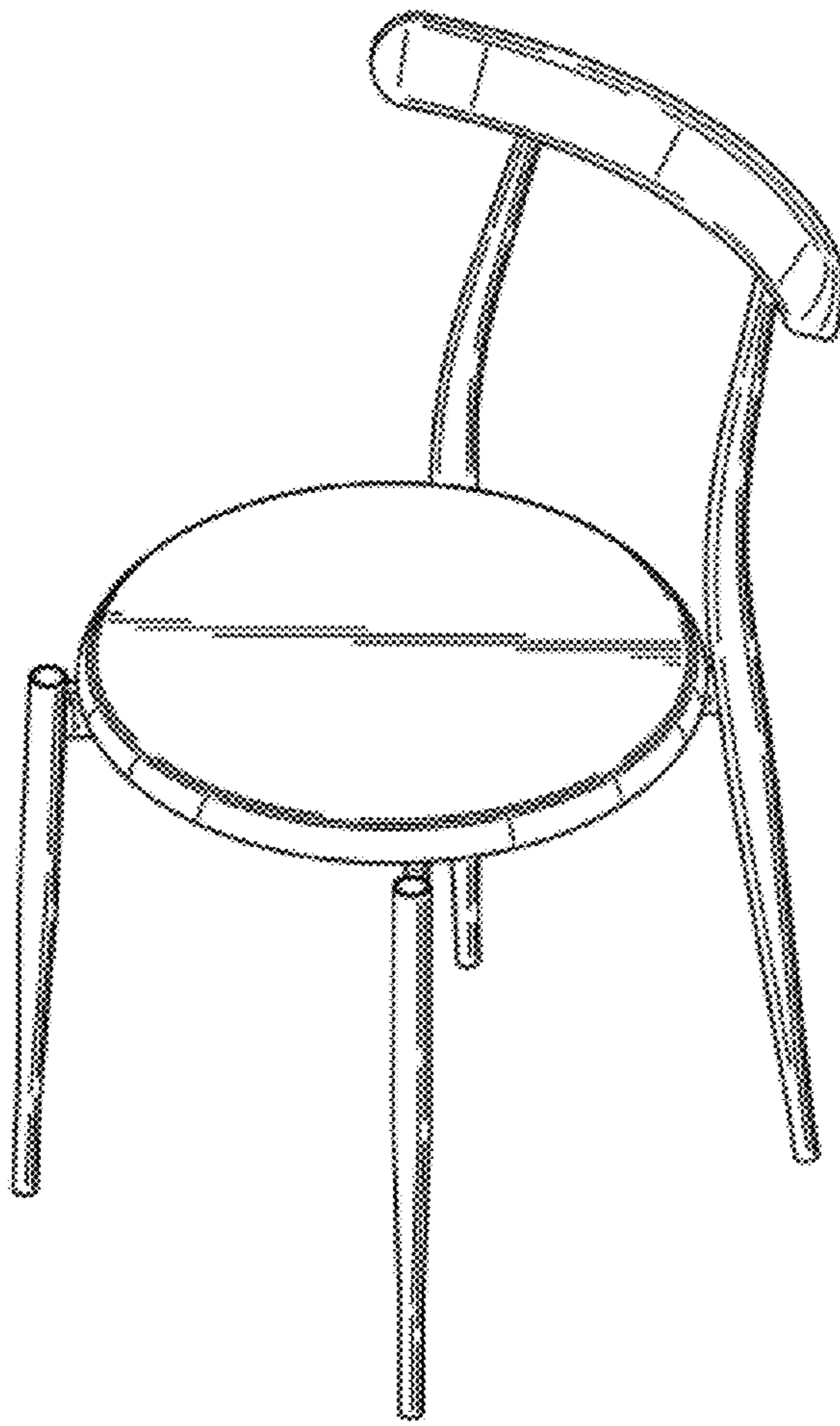
FIG. 5 is a top view thereof; and,

FIG. 6 is a bottom view thereof.

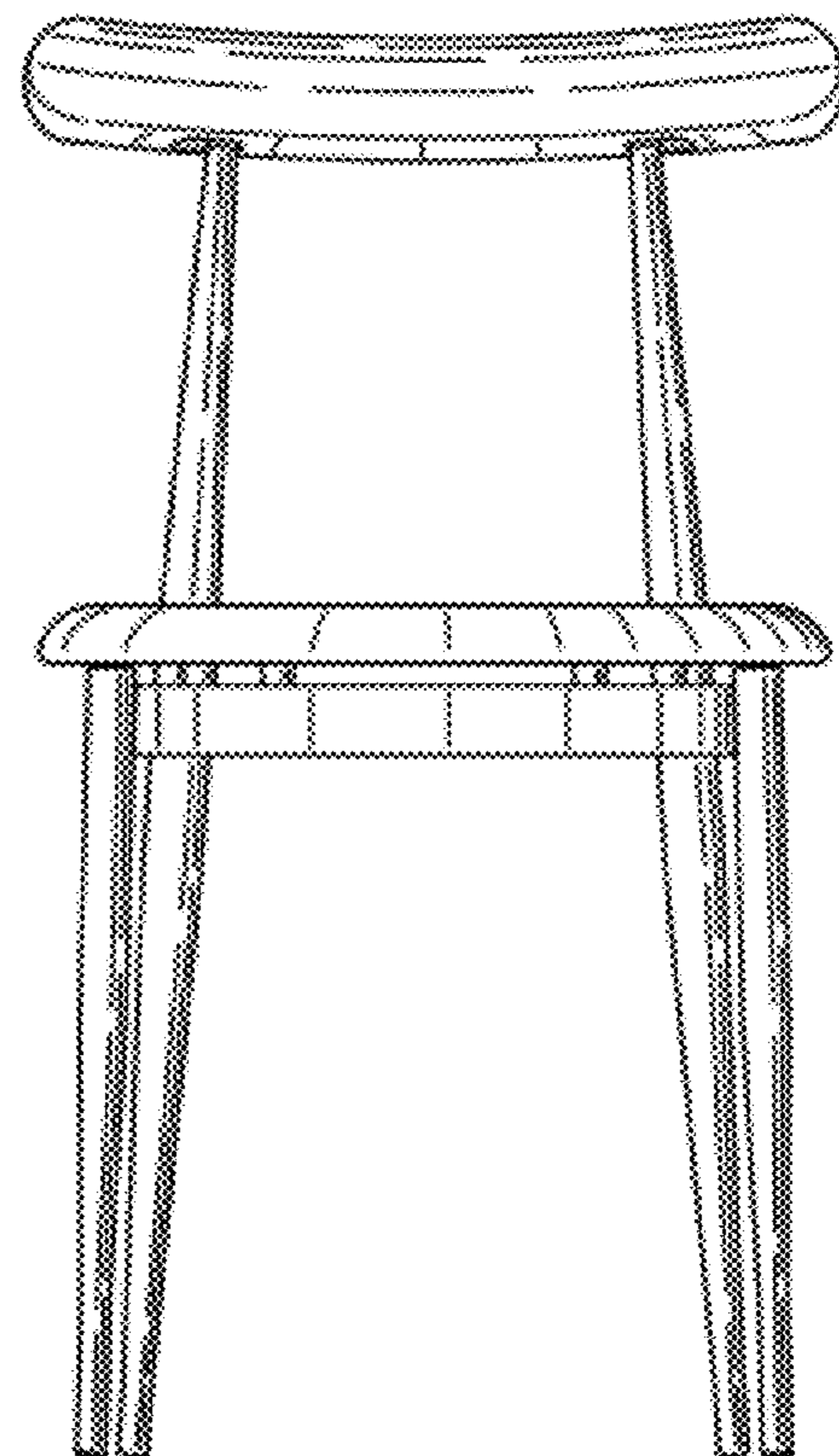
The broken lines illustrate portions of the stackable chair and form no part of the claimed design.

**1 Claim, 3 Drawing Sheets**

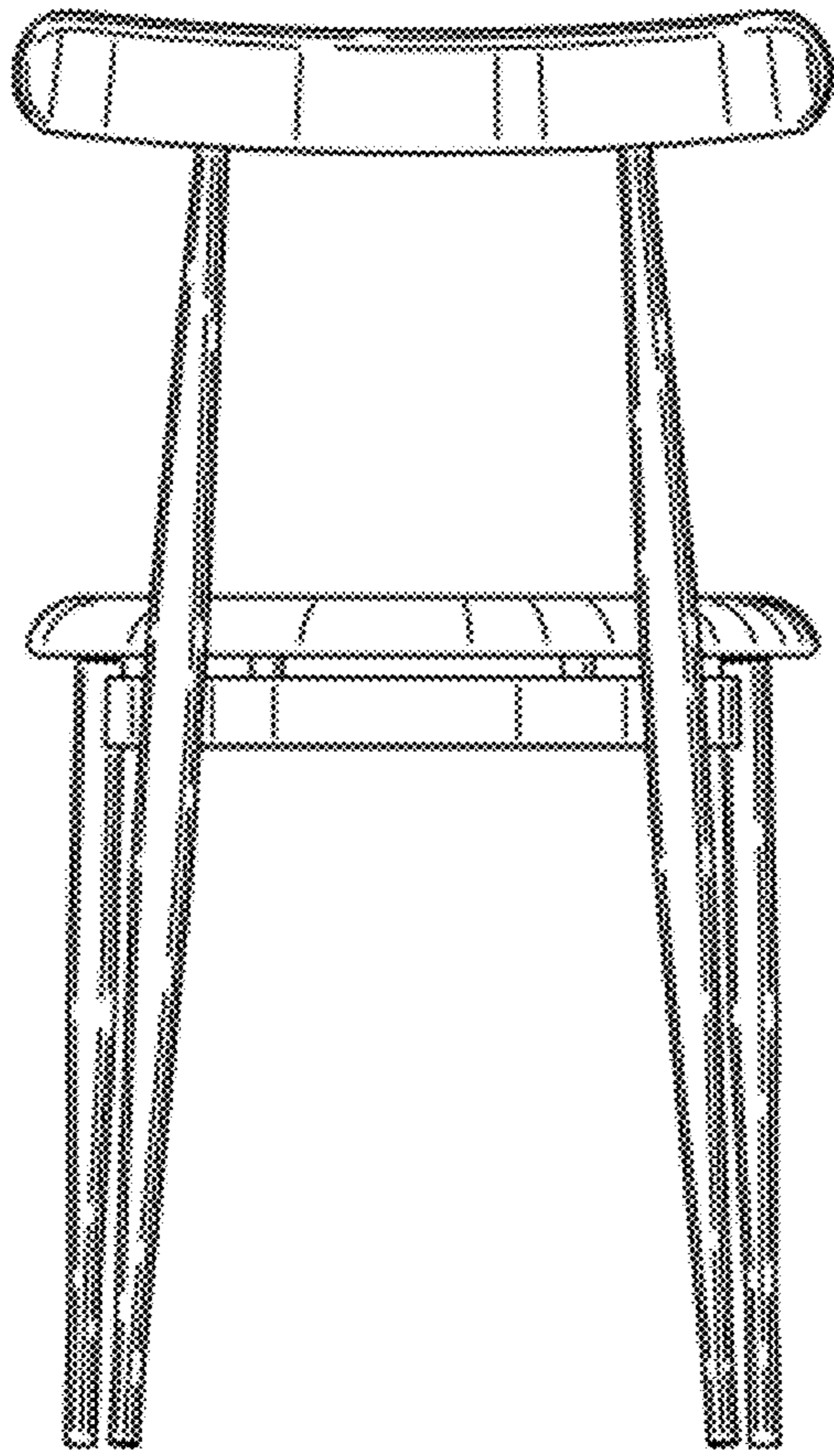




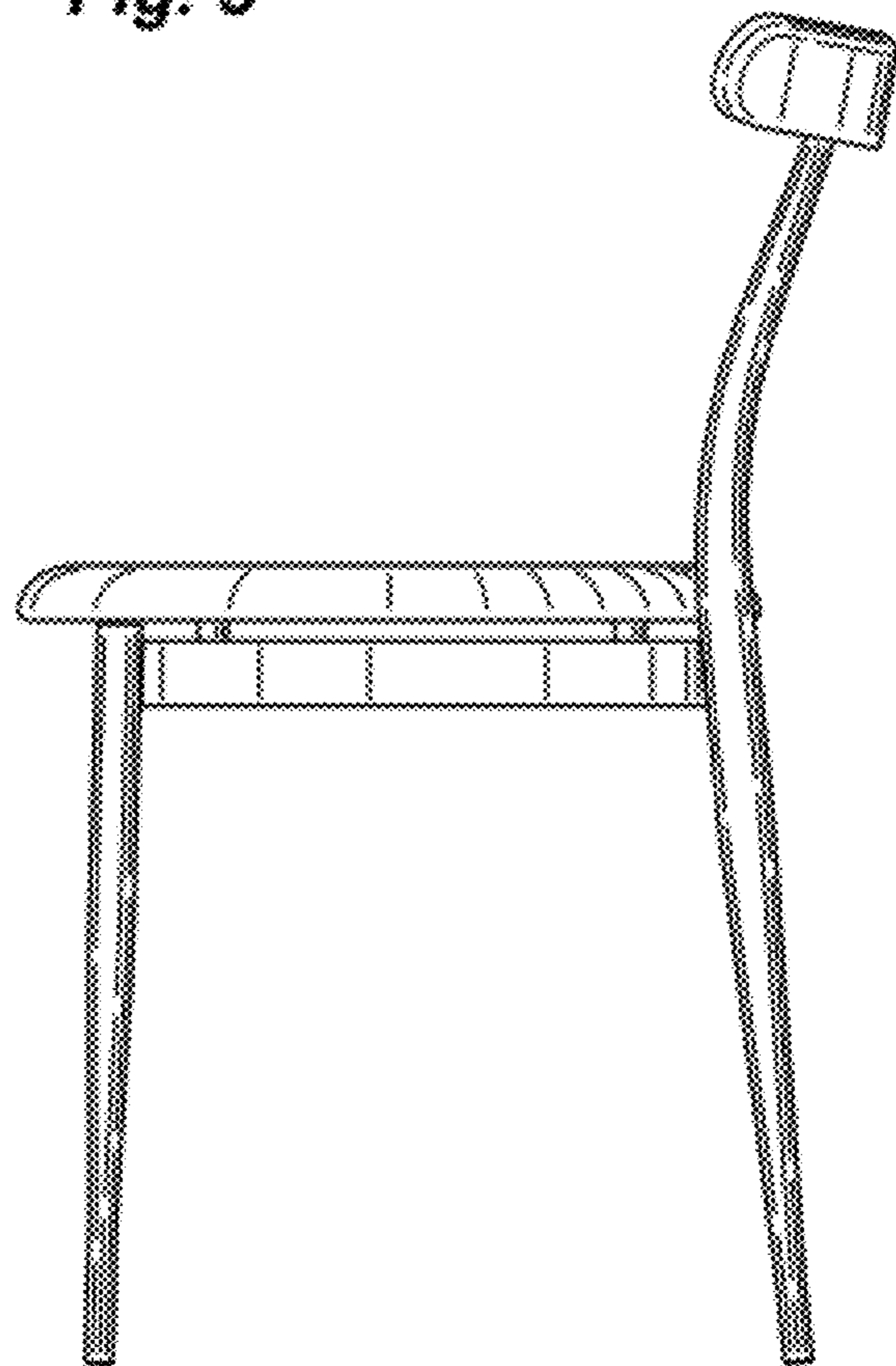
*Fig. 1*



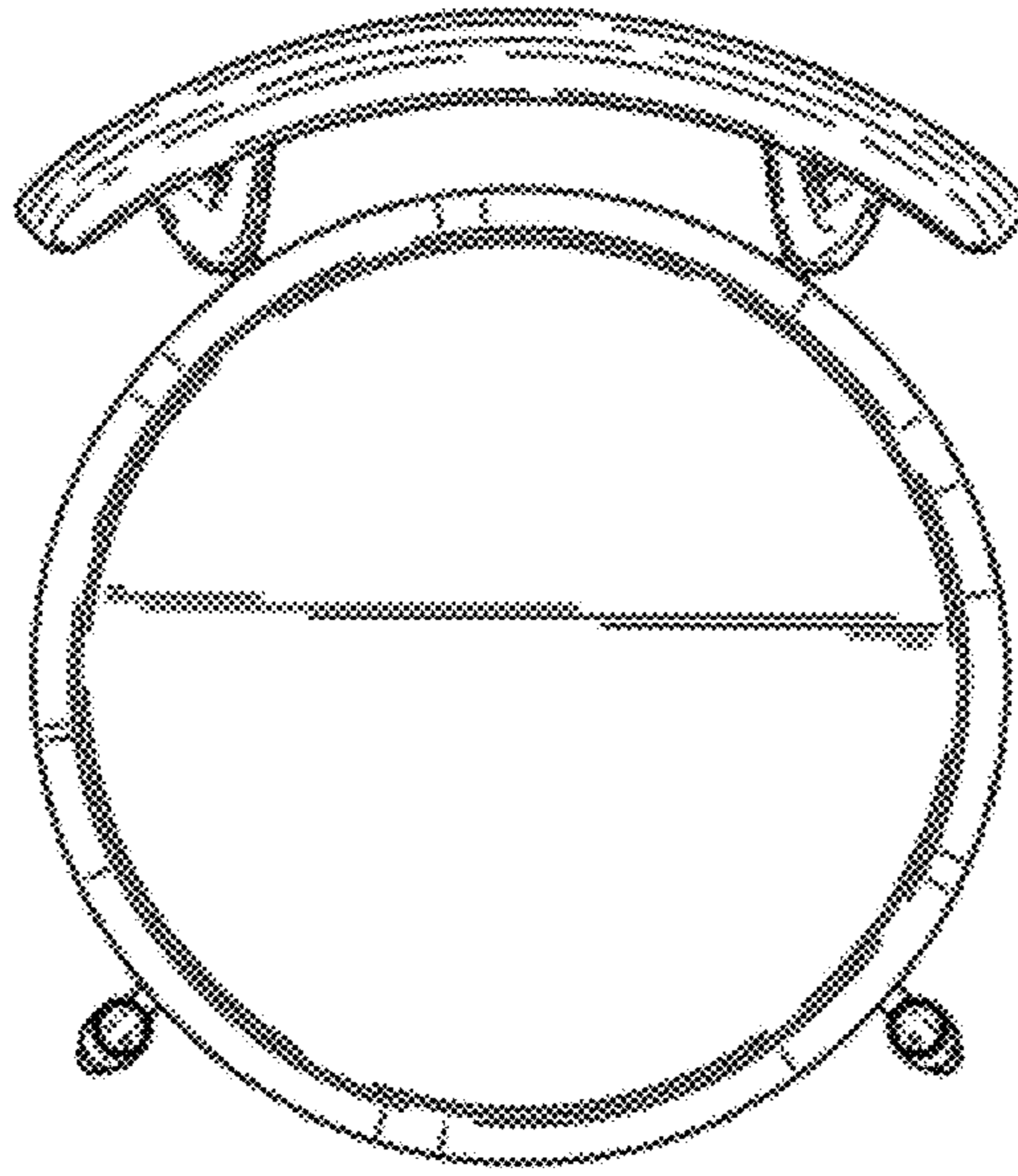
*Fig. 2*



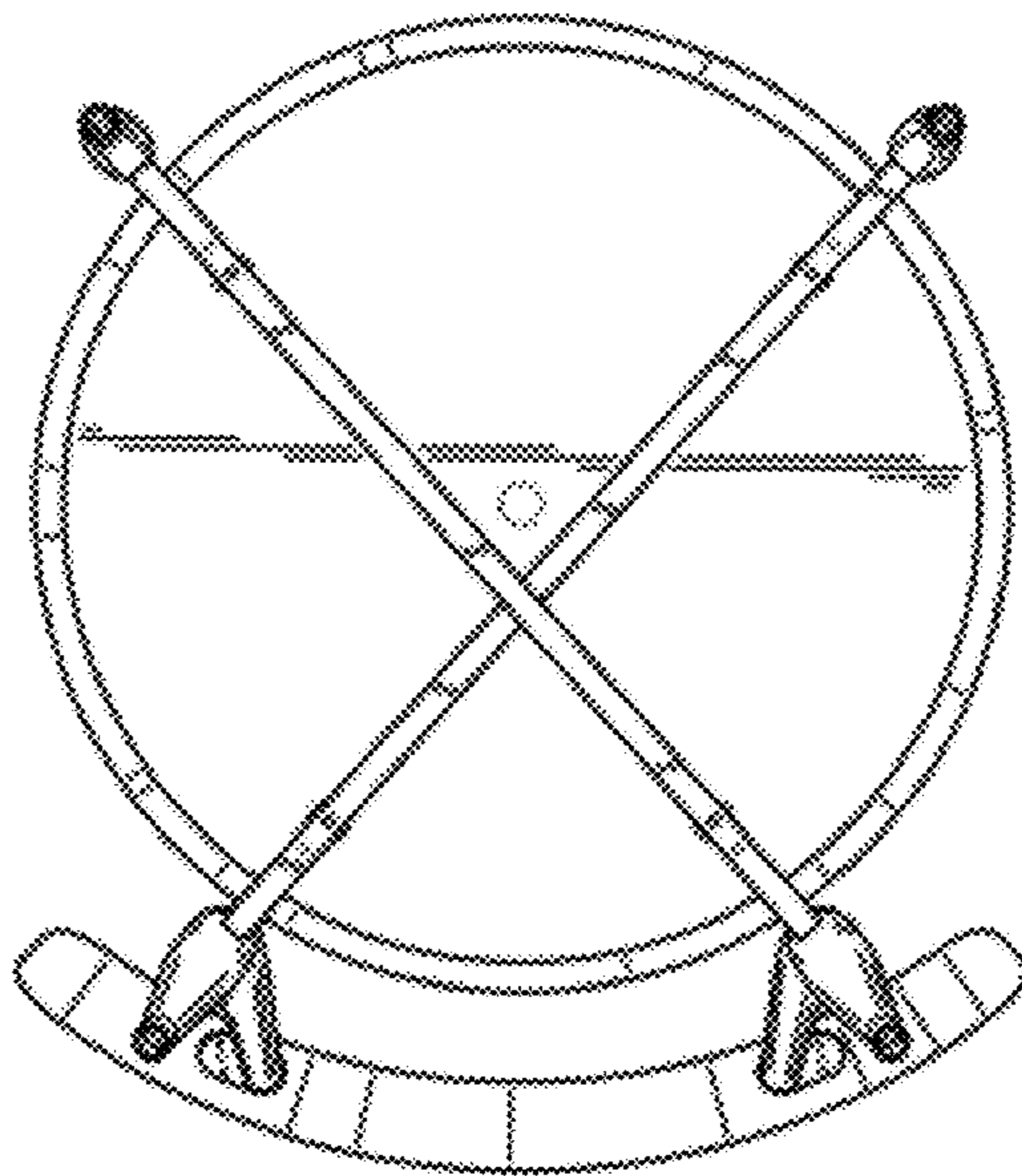
*Fig. 3*



*Fig. 4*



**Fig. 5**



**Fig. 6**