



US00D673786S

(12) **United States Design Patent**
Szymański

(10) **Patent No.:** **US D673,786 S**
(45) **Date of Patent:** **** Jan. 8, 2013**

(54) **FOLDING SEAT FOR VEHICLES**

(76) Inventor: **Maciej Szymański, Rokietnica (PL)**

(**) Term: **14 Years**

(21) Appl. No.: **29/408,375**

(22) Filed: **Dec. 12, 2011**

(30) **Foreign Application Priority Data**

Jun. 20, 2011 (EM) 001282214

(51) **LOC (9) Cl.** **06-01**

(52) **U.S. Cl.** **D6/356**

(58) **Field of Classification Search** D6/334-336,
D6/356, 367, 368, 374, 375, 379, 500-502;
297/216.13, 353, 354.1, 354.12, 362, 452.18,
297/452.24

See application file for complete search history.

(56) **References Cited**

U.S. PATENT DOCUMENTS

4,372,609	A *	2/1983	Boisset	297/362
D371,008	S *	6/1996	Stulik	D6/356
5,636,901	A *	6/1997	Grilliot et al.	297/452.18
5,868,472	A *	2/1999	Grilliot et al.	297/452.18
5,988,756	A *	11/1999	Aufrere et al.	297/452.18
6,779,841	B2 *	8/2004	Eckendorff	297/216.13
7,201,447	B2 *	4/2007	Yamada	297/216.13
D577,921	S *	10/2008	Tanaka et al.	D6/356
8,132,862	B2 *	3/2012	Yamada et al.	297/216.13
8,267,479	B2 *	9/2012	Yamada et al.	297/452.18

2006/0145522	A1 *	7/2006	Yamada	297/216.13
2008/0030060	A1 *	2/2008	Schwingschlogel	297/354.12
			et al.	297/354.12
2009/0236884	A1 *	9/2009	Lawall et al.	297/354.12

* cited by examiner

Primary Examiner — Mimoso De

(74) *Attorney, Agent, or Firm* — Egbert Law Offices, PLLC

(57) **CLAIM**

The ornamental design for a folding seat for vehicles, as shown and described.

DESCRIPTION

FIG. 1 is a front perspective view of the folding seat for vehicles showing my design, wherein the seat is in a folded state.

FIG. 2 is a front perspective view thereof, wherein the seat is in an unfolded state;

FIG. 3 is a front view thereof, wherein the seat is in a folded state;

FIG. 4 is a rear perspective view thereof, wherein the seat is in a folded state;

FIG. 5 is a rear perspective view thereof, wherein the seat is in an unfolded state;

FIG. 6 is a side view thereof, wherein the seat is in a folded state, an opposite side view being identical;

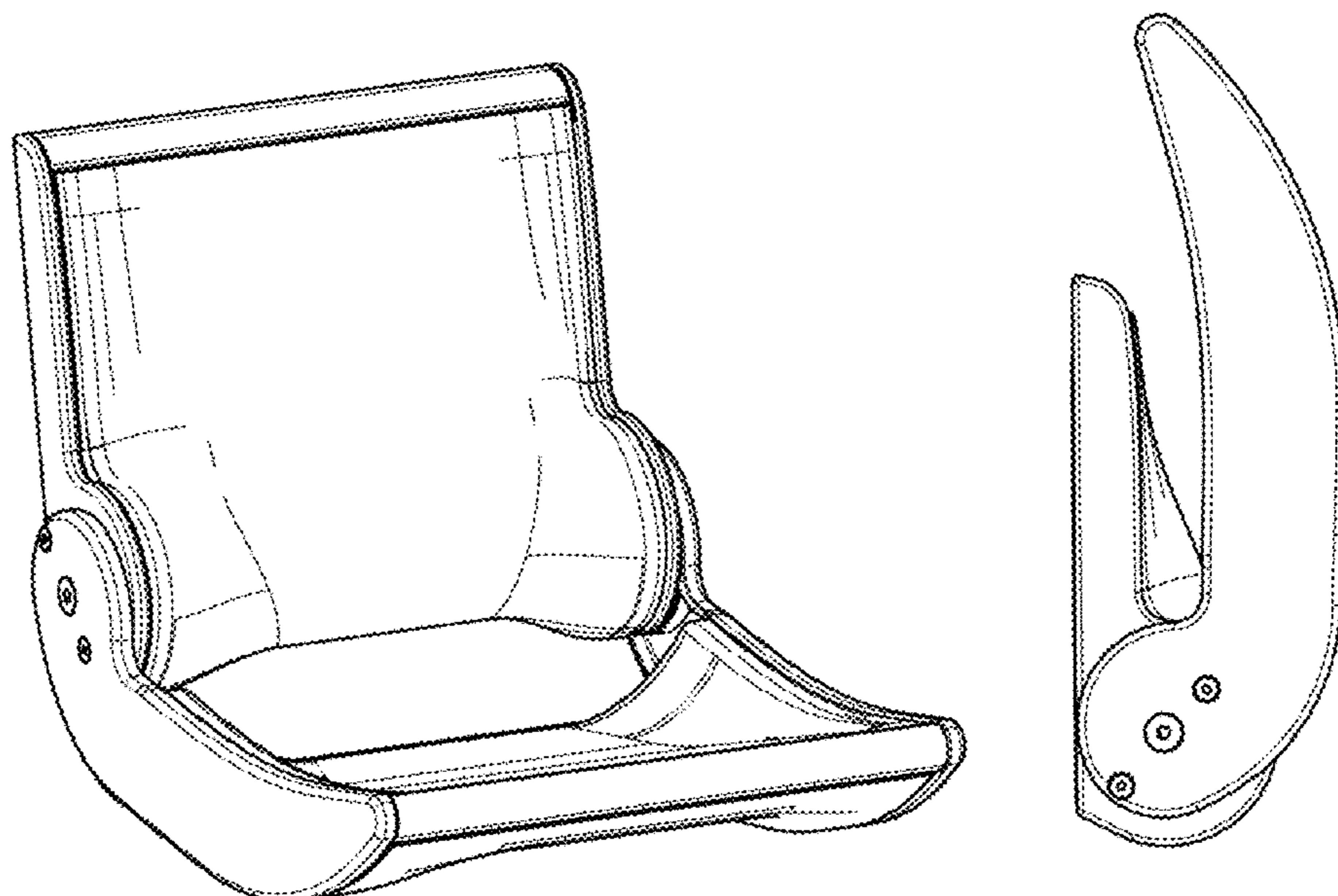
FIG. 7 is a side view thereof, wherein the seat is in an unfolded state, an opposite side view being identical;

FIG. 8 is a top view thereof, wherein the seat is in a folded state;

FIG. 9 is a top view thereof, wherein the seat is in an unfolded state; and,

FIG. 10 is a front view thereof, wherein the seat is in an unfolded state.

1 Claim, 10 Drawing Sheets



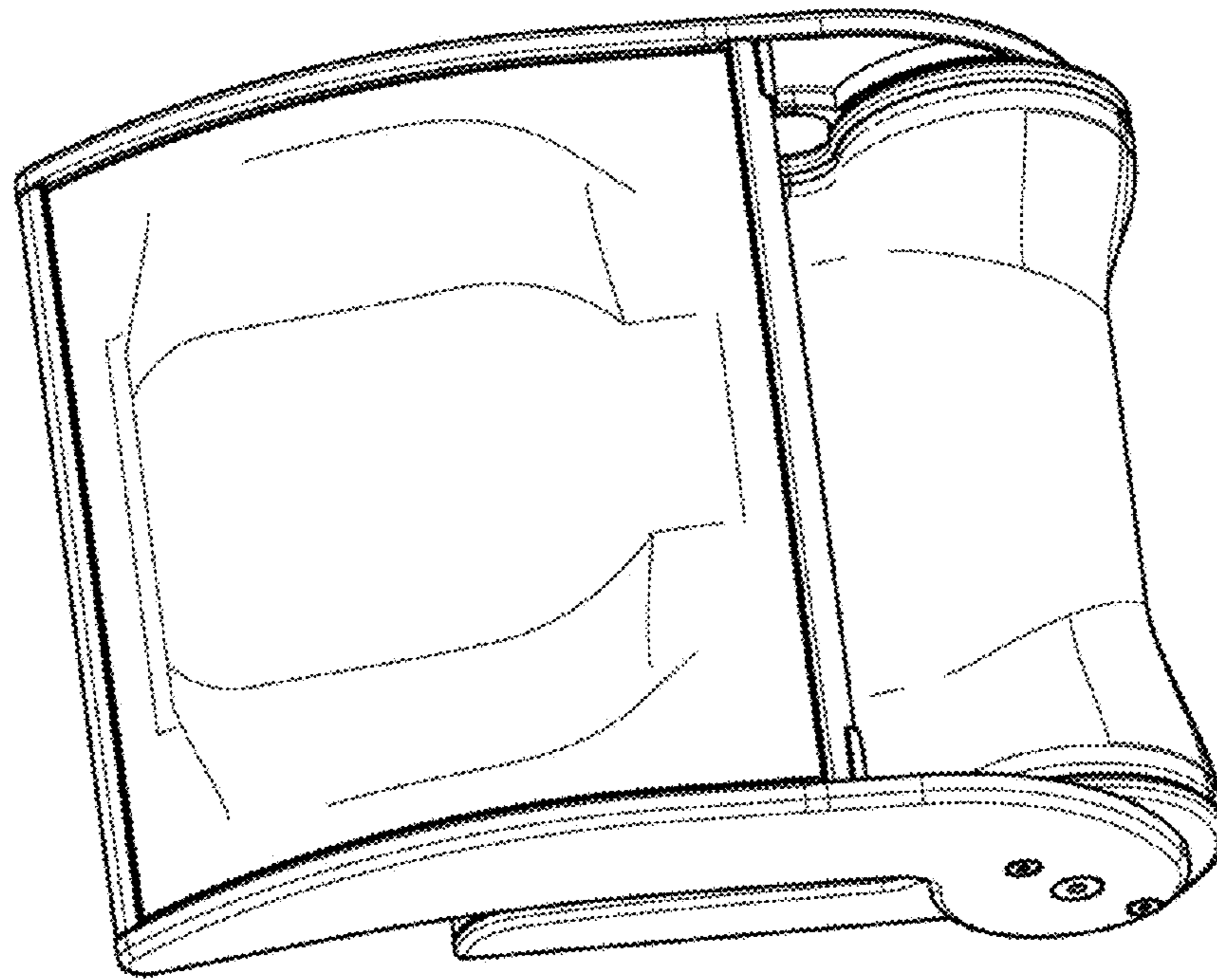


FIGURE 1

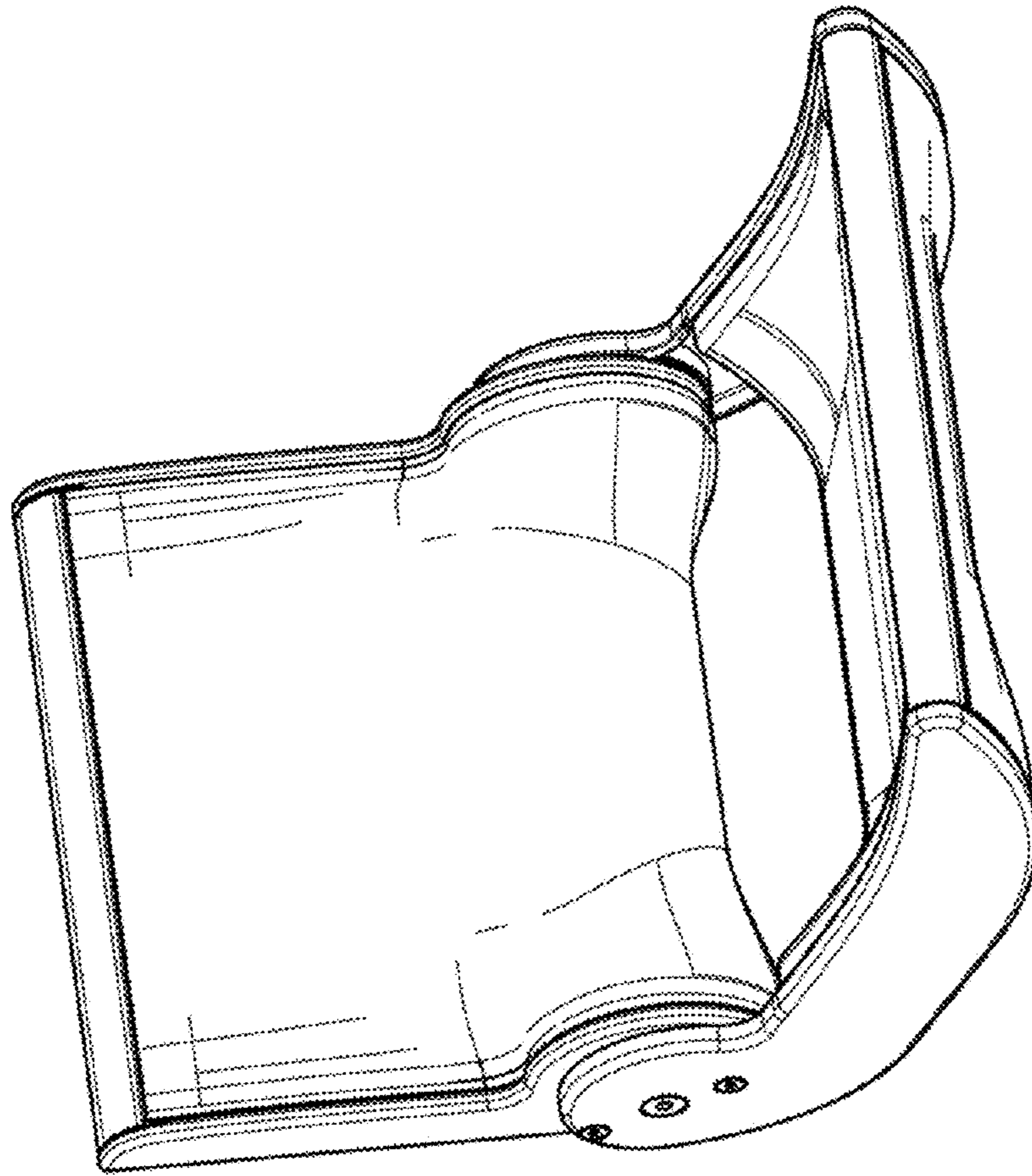


FIGURE 2

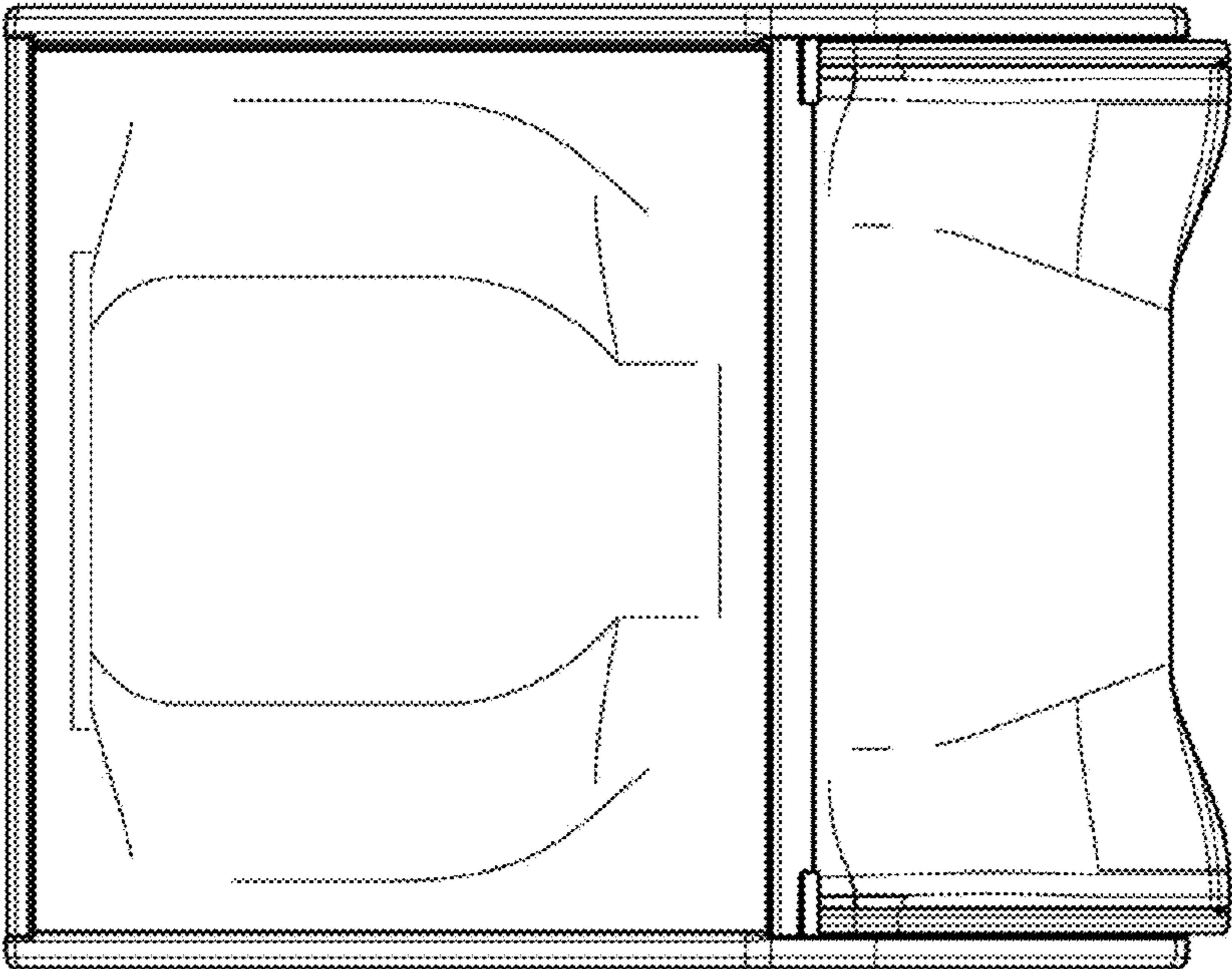


FIGURE 3

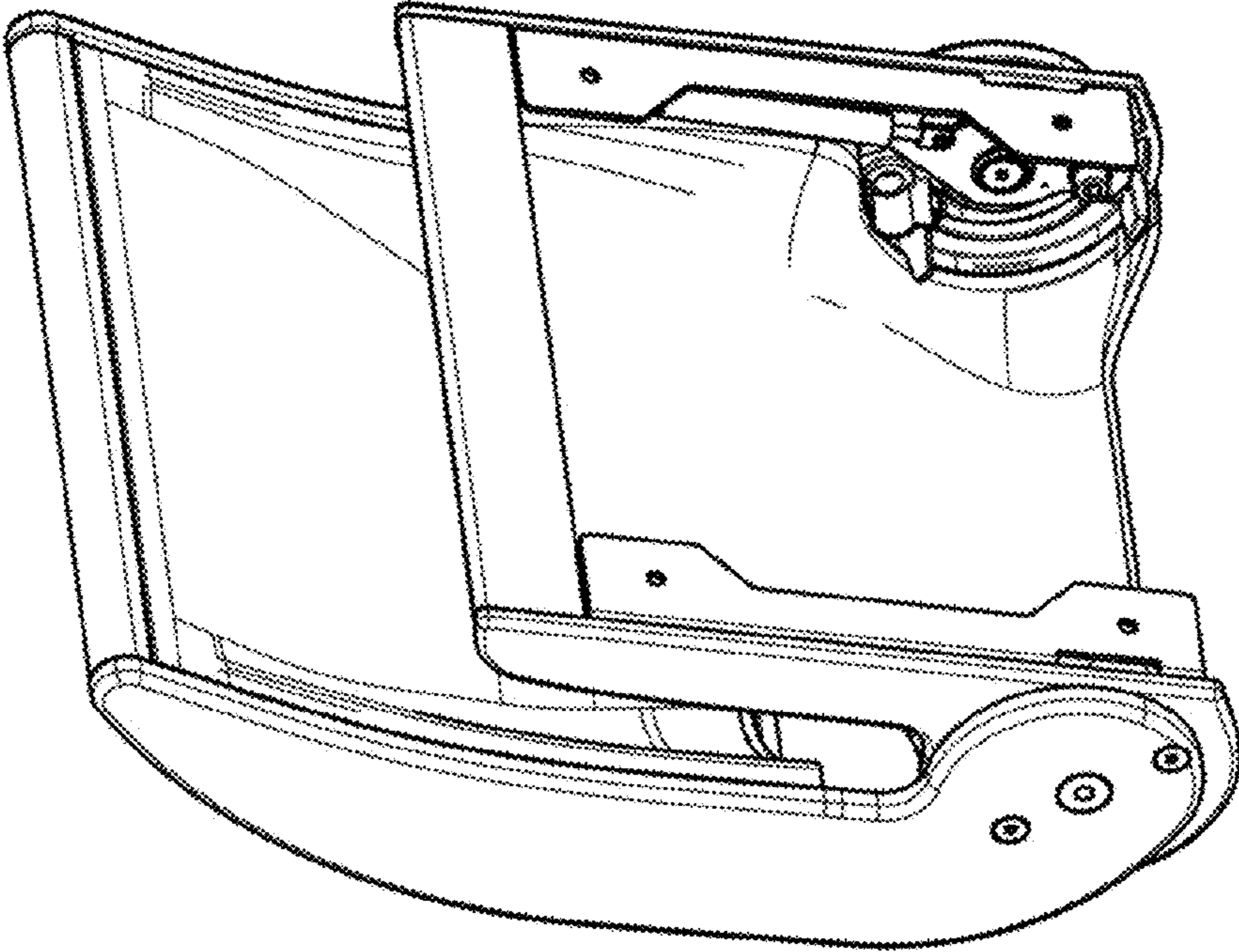


FIGURE 4

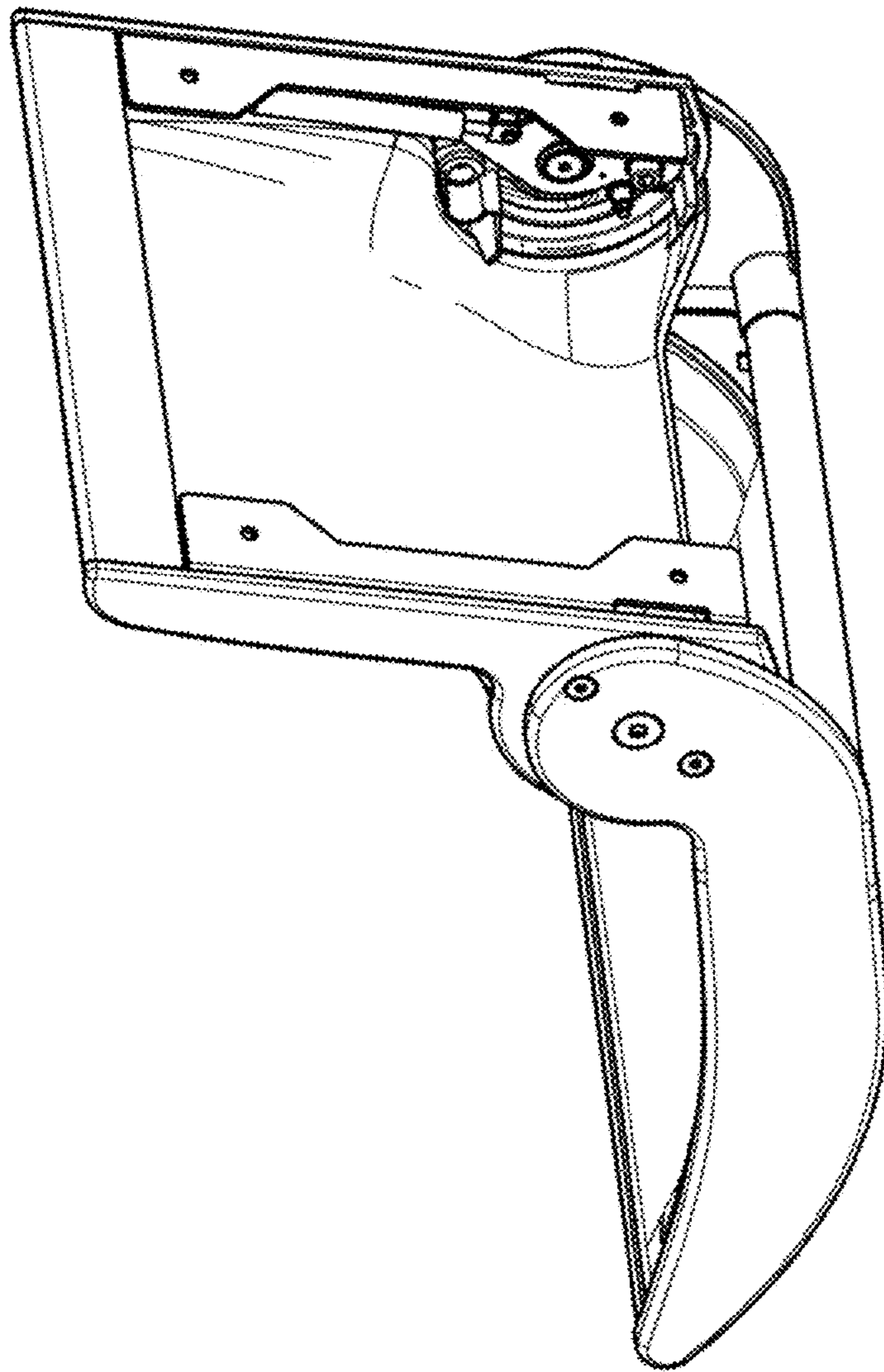


FIGURE 5

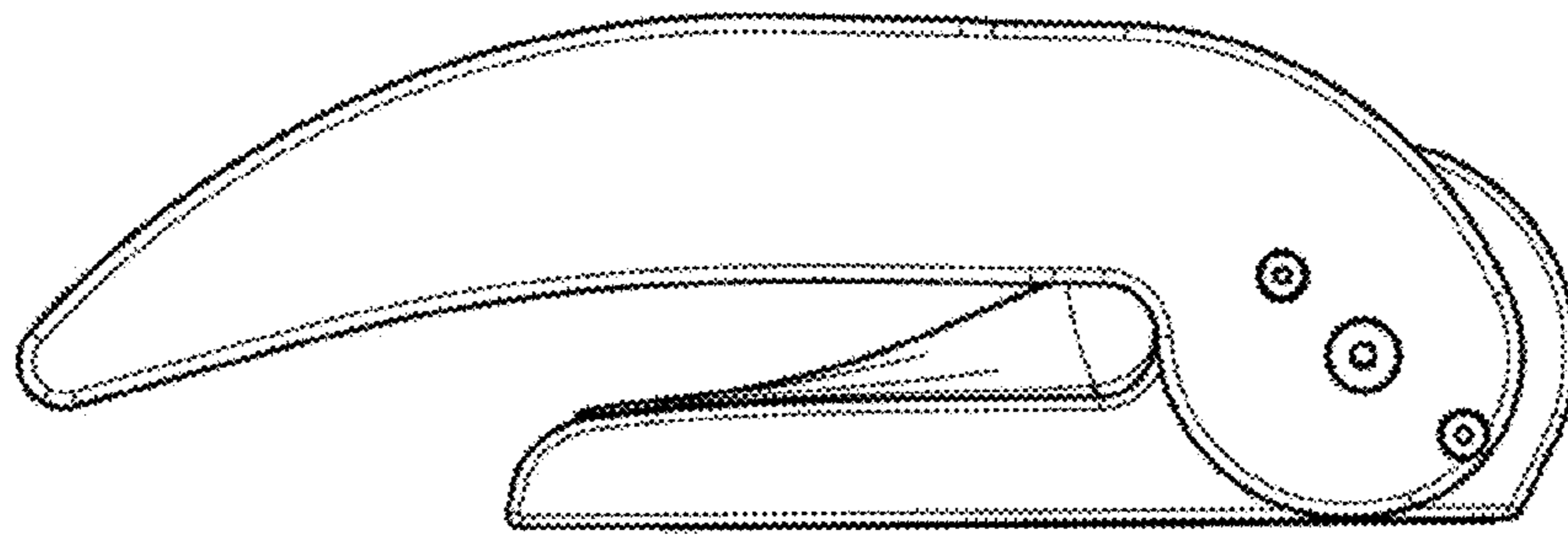


FIGURE 6

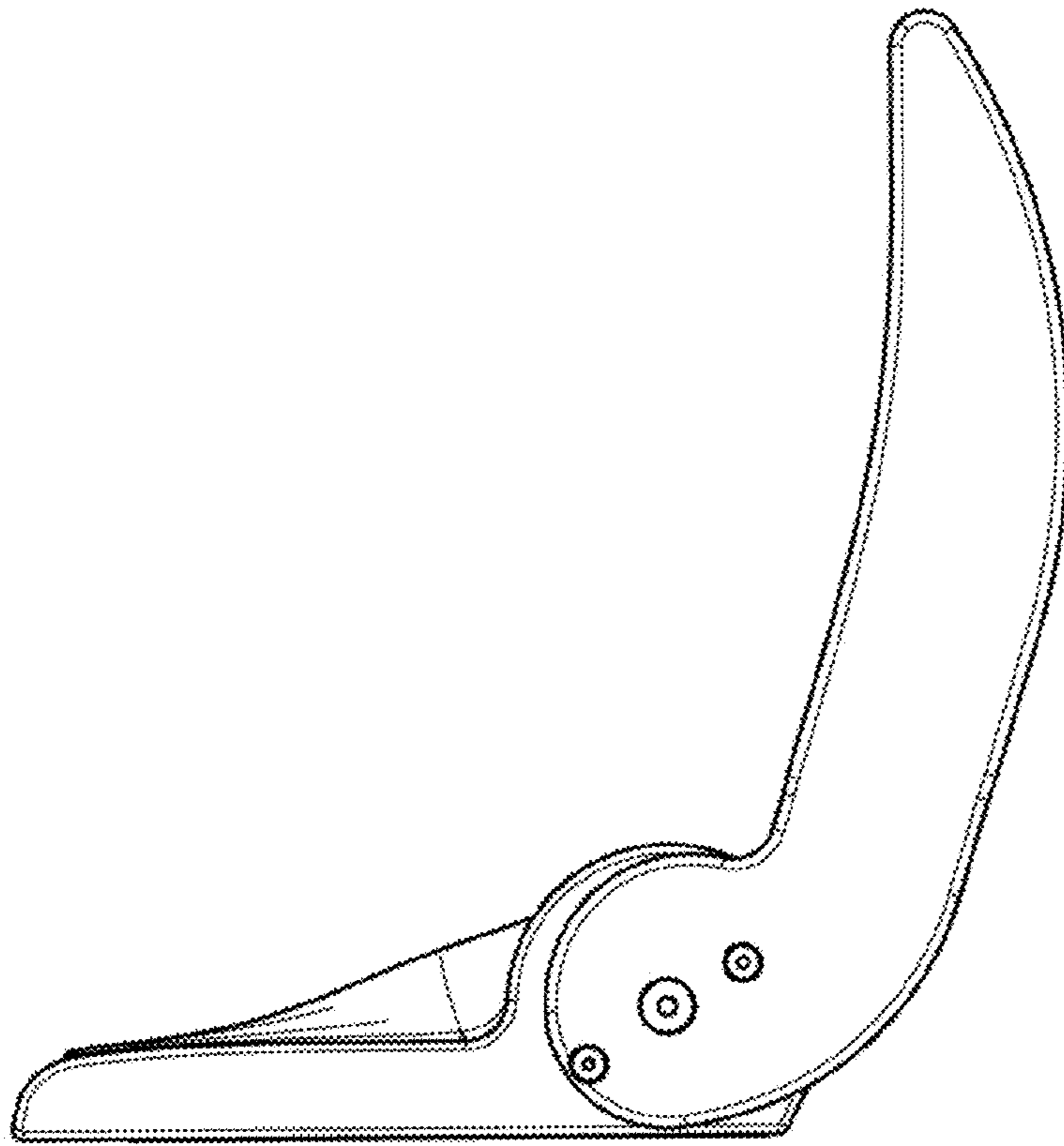


FIGURE 7

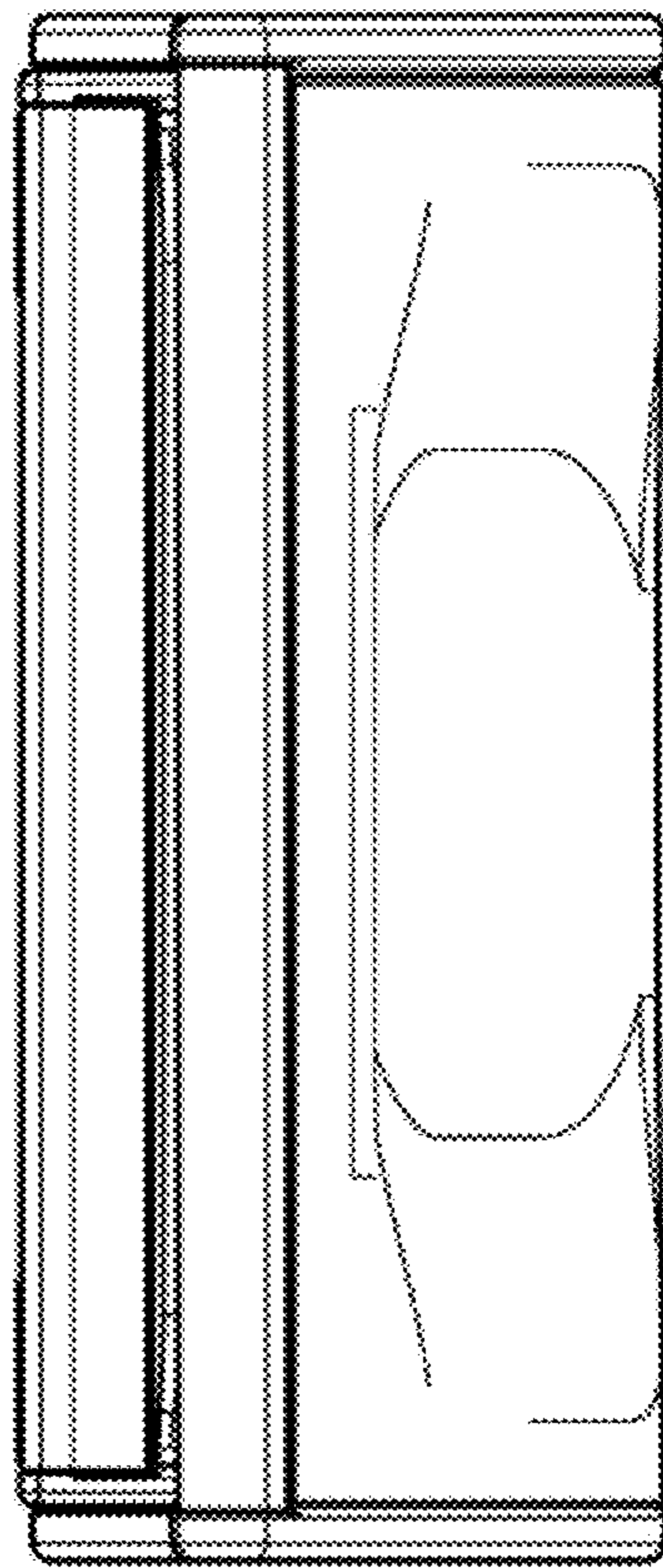


FIGURE 8

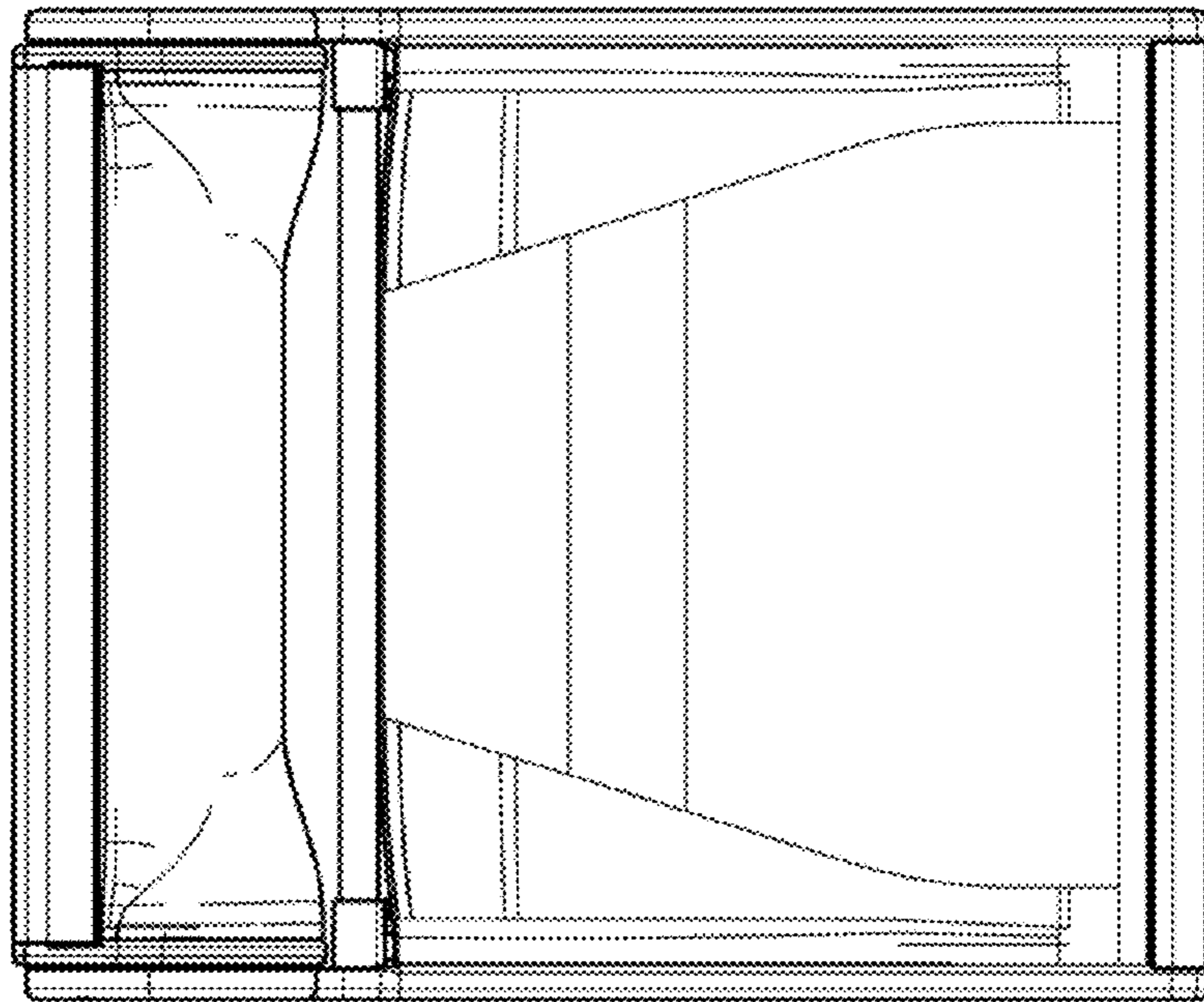


FIGURE 9

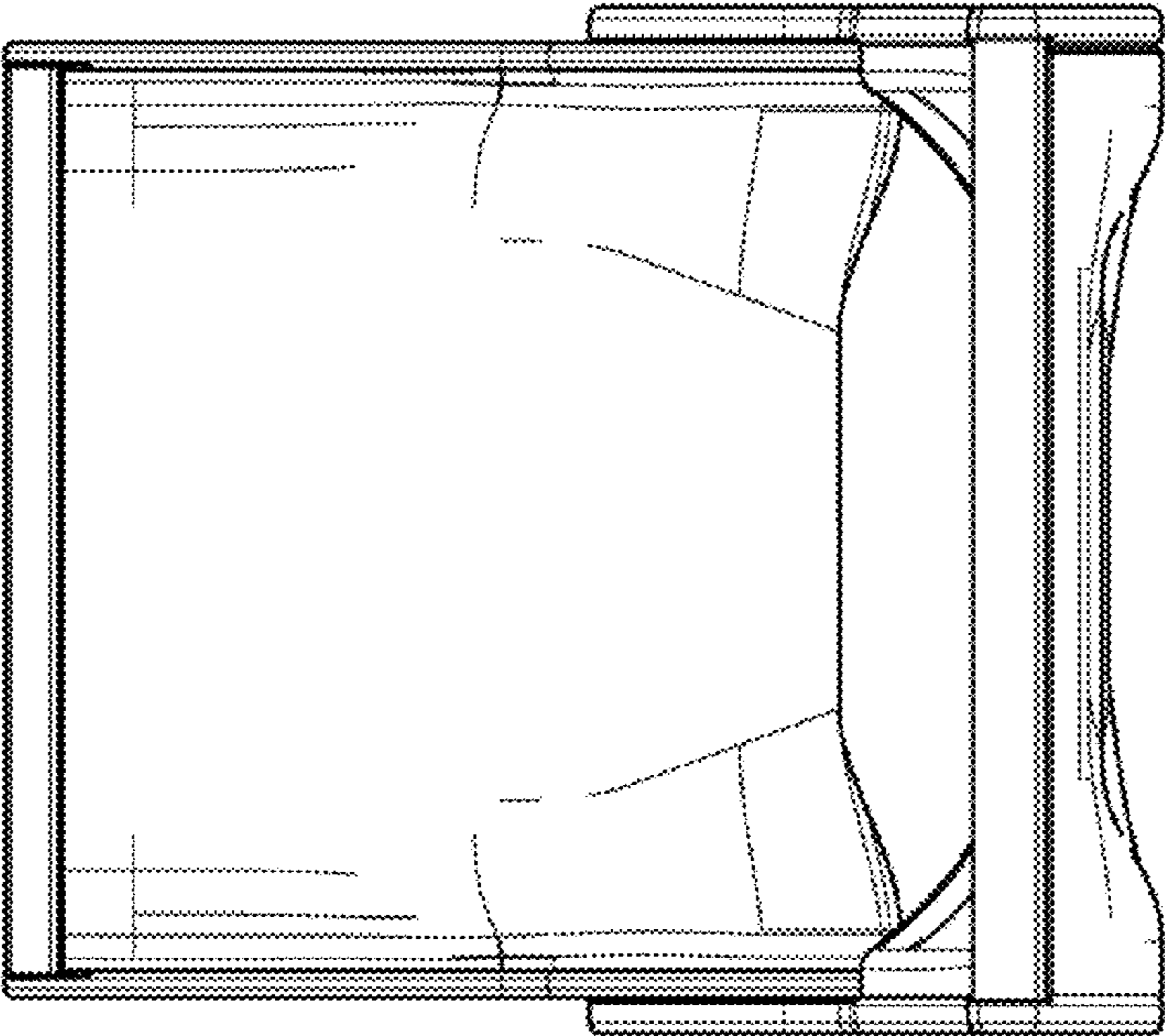


FIGURE 10