



US00D673784S

(12) **United States Design Patent**
Lang

(10) **Patent No.:** **US D673,784 S**
(45) **Date of Patent:** **** Jan. 8, 2013**

- (54) **SHADE FOR CHILD CAR SEAT**
 - (75) Inventor: **Lauren Lang**, Bethesda, MD (US)
 - (73) Assignee: **ImagineBaby, LLC**, North Bethesda, MD (US)
 - (**) Term: **14 Years**
 - (21) Appl. No.: **29/427,623**
 - (22) Filed: **Jul. 20, 2012**
 - (51) **LOC (9) Cl.** **06-01**
 - (52) **U.S. Cl.** **D6/333**
 - (58) **Field of Classification Search** D6/333-335, D6/339, 491, 391, 389, 500-502; 297/183.1-183.4, 297/184.13, 184.15, 184.17, 250.1, 255, 297/256.1, 256.15, 256.16; 5/94, 98.1, 99.1, 5/101-102, 105, 655, 414, 416, 413; D12/128-133, D12/401-403; 24/200; D3/5-6; 135/117, 135/124; 280/30-31, 642, 47.38, 47.4, 647, 280/650, 658; D21/412, 419, 834; 224/409; D34/27
- See application file for complete search history.

- 6,012,189 A 1/2000 Dudley
 - 6,019,421 A 2/2000 Roh
 - 6,039,393 A 3/2000 Roh
 - 6,056,355 A 5/2000 Klassen
 - D431,377 S 10/2000 Buggs
 - D433,851 S 11/2000 Roh
- (Continued)

OTHER PUBLICATIONS

Fab Baby Gear, P'tit Coulou Car Seat Cover Kalinou, online at http://fabbabygear.com/index.php?main_page=product_info&cPath=233_426_568&products_id=3065, printed Apr. 5, 2012.

(Continued)

Primary Examiner — Caron D Veynar
Assistant Examiner — Abraham Bahta
(74) *Attorney, Agent, or Firm* — Venable LLP; Steven J. Schwarz

(57) **CLAIM**
The ornamental design for a shade for child car seat, as shown and described.

DESCRIPTION

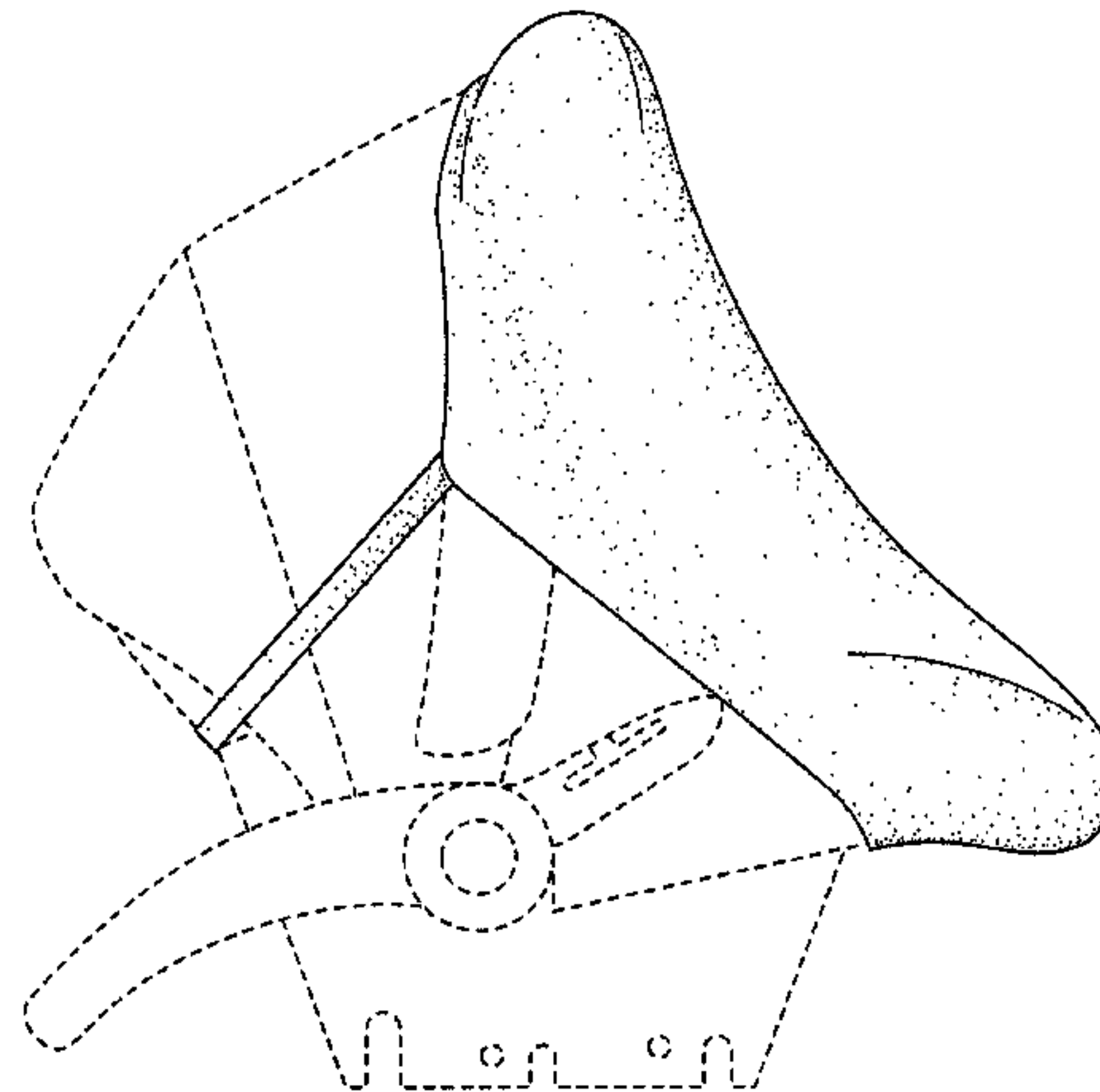
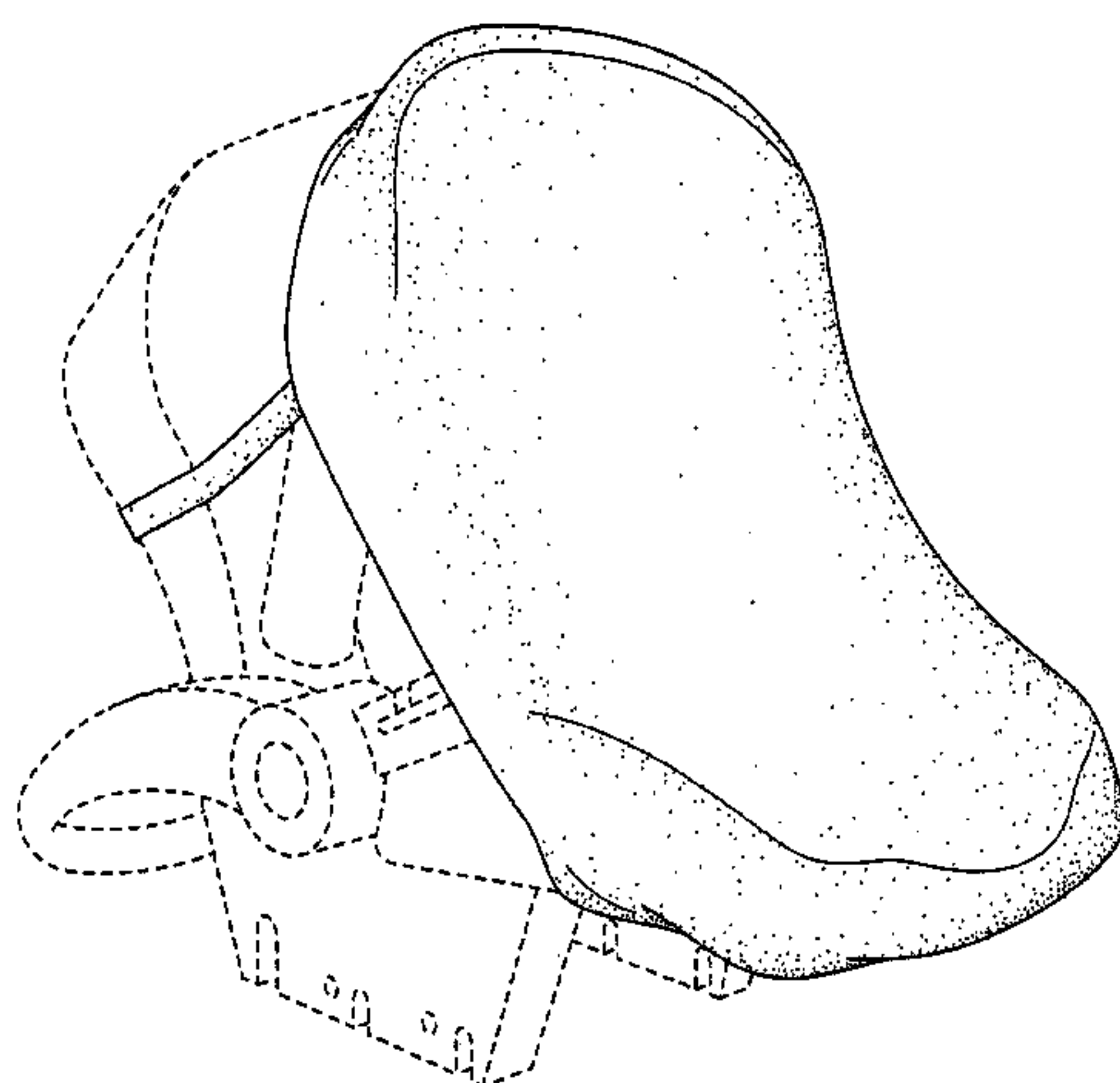
FIG. 1 is a perspective view of a first embodiment of a shade for child car seat of the claimed design, shown mounted on a child car seat;
FIG. 2 is a front elevational view thereof;
FIG. 3 is a back elevational view thereof;
FIG. 4 is a right side elevational view thereof;
FIG. 5 is a left side elevational view thereof;
FIG. 6 is a top elevational view thereof;
FIG. 7 is a bottom elevational view thereof;
FIG. 8 is a perspective view of a second embodiment of a shade for child car seat of the claimed design, shown mounted on a child car seat;
FIG. 9 is a front elevational view thereof;
FIG. 10 is a back elevational view thereof;
FIG. 11 is a right side elevational view thereof;
FIG. 12 is a left side elevational view thereof;
FIG. 13 is a top elevational view thereof; and,
FIG. 14 is a bottom elevational view thereof. The broken line showing of car seat is included for the purpose of illustrating environmental structure and forms no part of the claimed design.

1 Claim, 14 Drawing Sheets

(56) **References Cited**

U.S. PATENT DOCUMENTS

1,732,878 A	10/1929	Collender	
1,770,841 A	7/1930	Clyman	
4,311,339 A	1/1982	Heath	
D288,757 S *	3/1987	Hoeckel	D6/491
4,733,906 A	3/1988	Davis et al.	
4,946,221 A	8/1990	Livingston	
5,074,616 A	12/1991	Smith	
D325,836 S *	5/1992	Morton	D6/491
5,184,865 A	2/1993	Mohtasham et al.	
5,309,586 A	5/1994	Sies et al.	
5,549,354 A	8/1996	Rosen	
D384,188 S	9/1997	Imm	
D388,998 S	1/1998	Dubiel	
5,730,490 A	3/1998	Mortenson	
5,735,004 A	4/1998	Wooten et al.	
D402,152 S	12/1998	Seats et al.	
D412,468 S *	8/1999	Berkey et al.	D12/133
5,956,767 A	9/1999	Imm	
6,012,184 A	1/2000	Childers	



US D673,784 S

Page 2

U.S. PATENT DOCUMENTS

6,209,953	B1	4/2001	Mackay et al.	
D462,182	S	9/2002	Brewer	
D462,221	S *	9/2002	Brewer	D6/611
6,481,791	B1	11/2002	Facchini et al.	
6,517,153	B1	2/2003	Brewer	
6,547,325	B2	4/2003	Drost et al.	
6,702,374	B2	3/2004	Kams	
6,749,258	B1	6/2004	Leikin	
D509,699	S	9/2005	Reamer	
7,083,228	B1	8/2006	Al Sawan	
D530,559	S *	10/2006	Fails	D6/611
7,150,499	B2	12/2006	McGregor	
D546,108	S *	7/2007	Heiman-Philpott	D6/611
7,284,790	B1	10/2007	Brewer	
D559,022	S	1/2008	Morales Cabello	
D601,845	S	10/2009	Pierce	
D602,407	S *	10/2009	Sanderson	D12/133
D615,781	S	5/2010	Moffett	
D655,518	S *	3/2012	Sclare	D6/333
2010/0072793	A1	3/2010	Kress	
2011/0101742	A1	5/2011	Hei et al.	

OTHER PUBLICATIONS

This is Next, Baby's Cozy World Microfiber Embroidered Nylon Cover, online at <http://www.thisnext.com/item/93E4A0FD/Babys-Cozy-World-Microfiber>, printed Apr. 5, 2012.

* cited by examiner

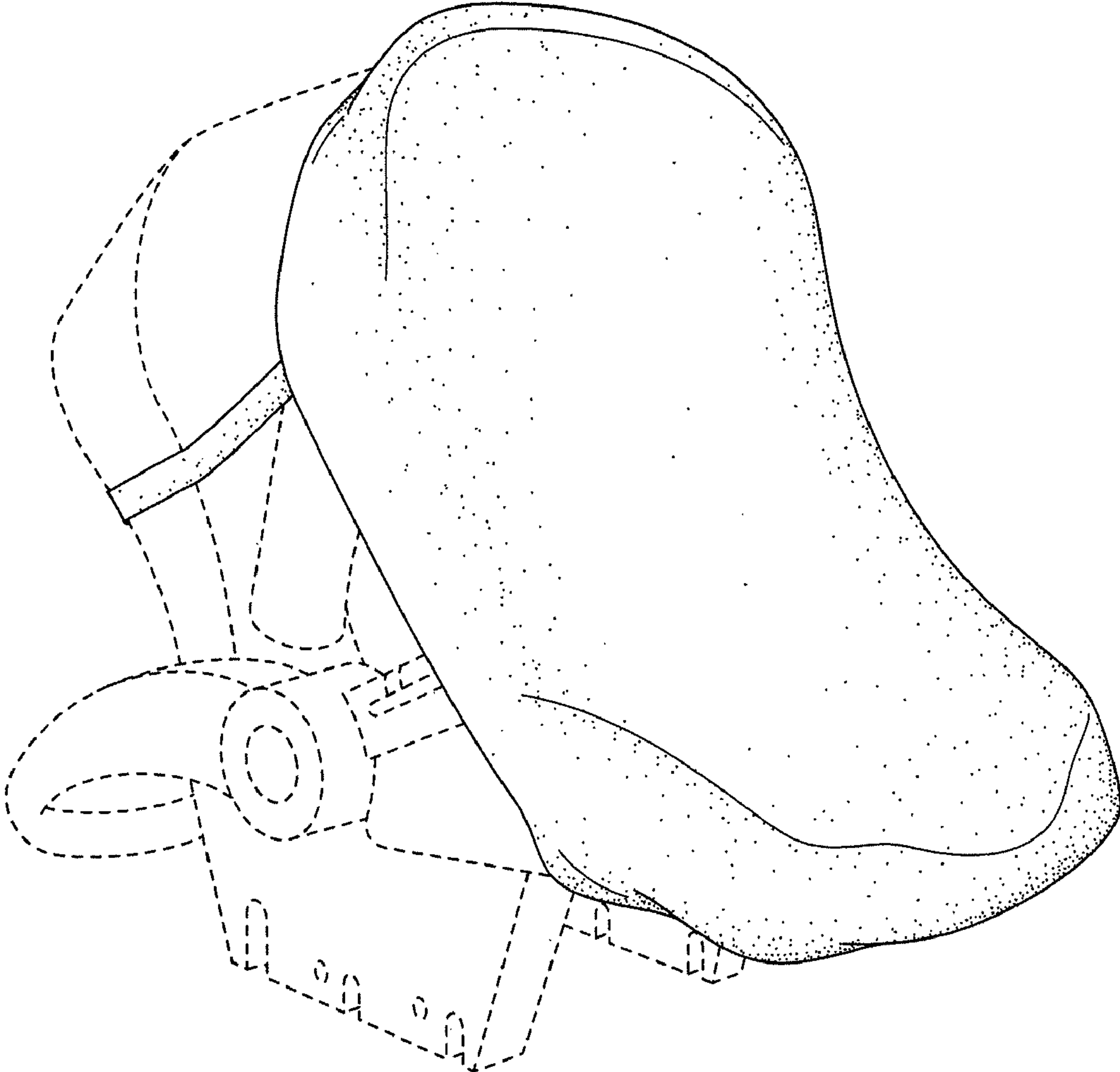


FIG. 1

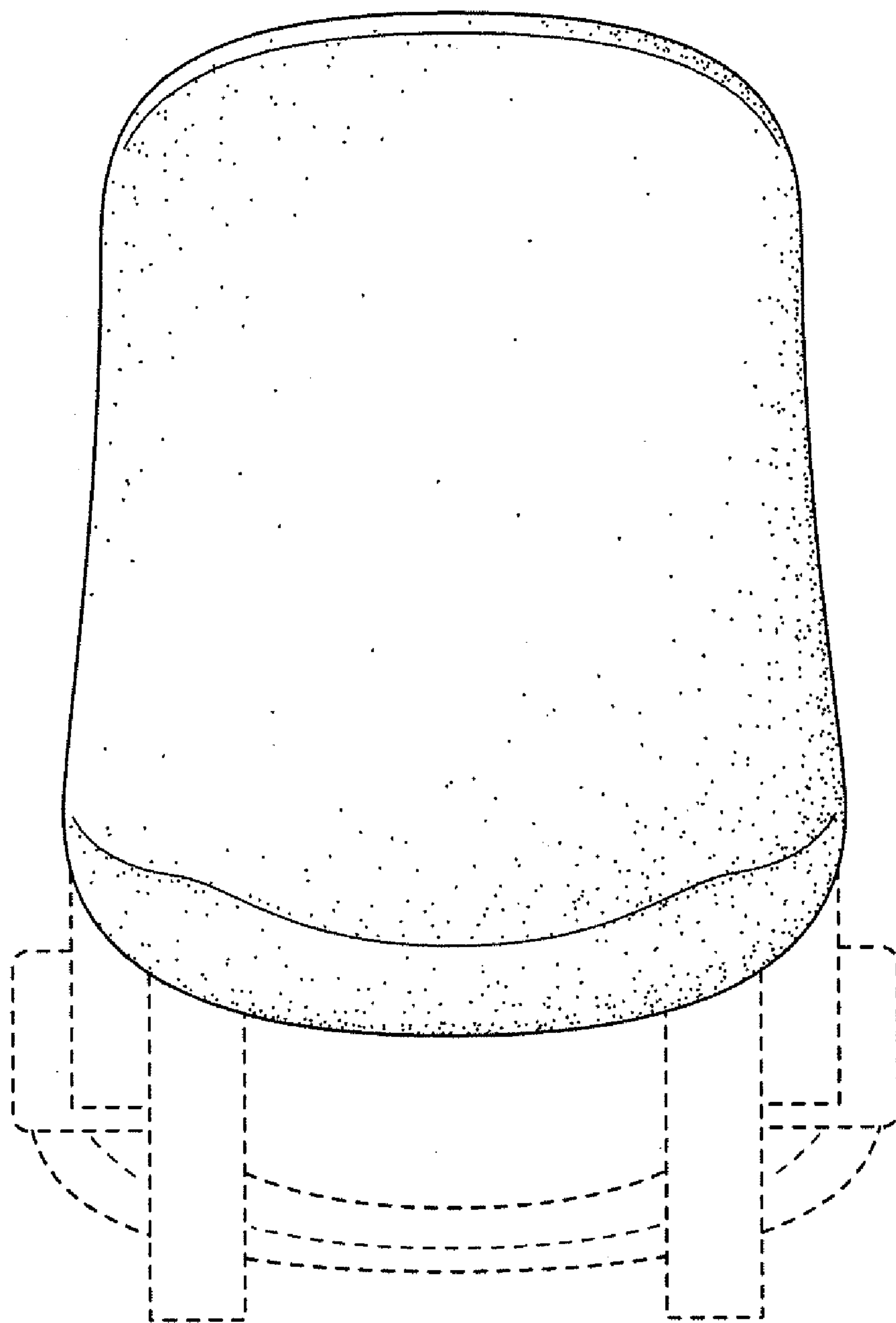


FIG. 2

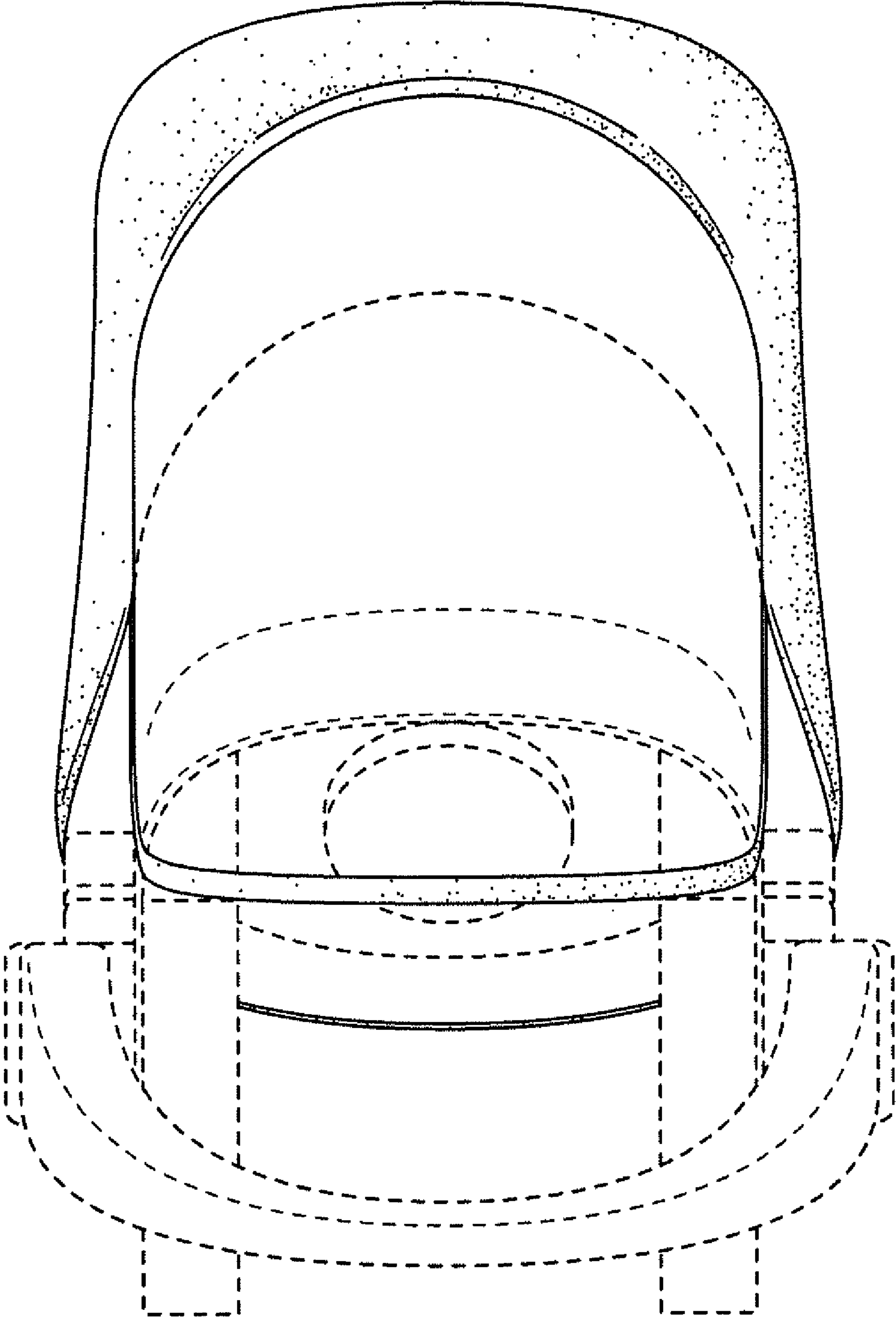


FIG. 3

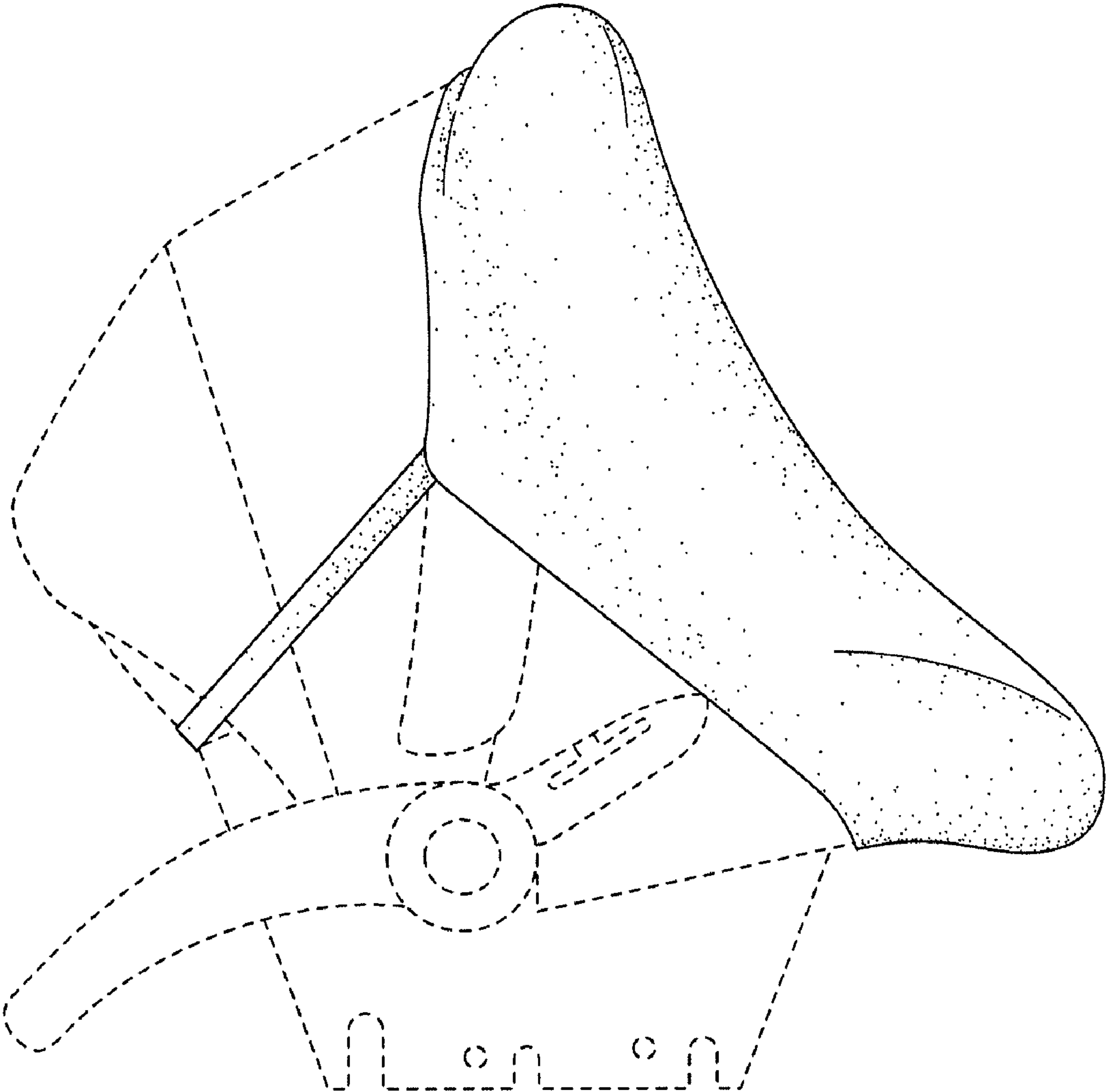


FIG. 4

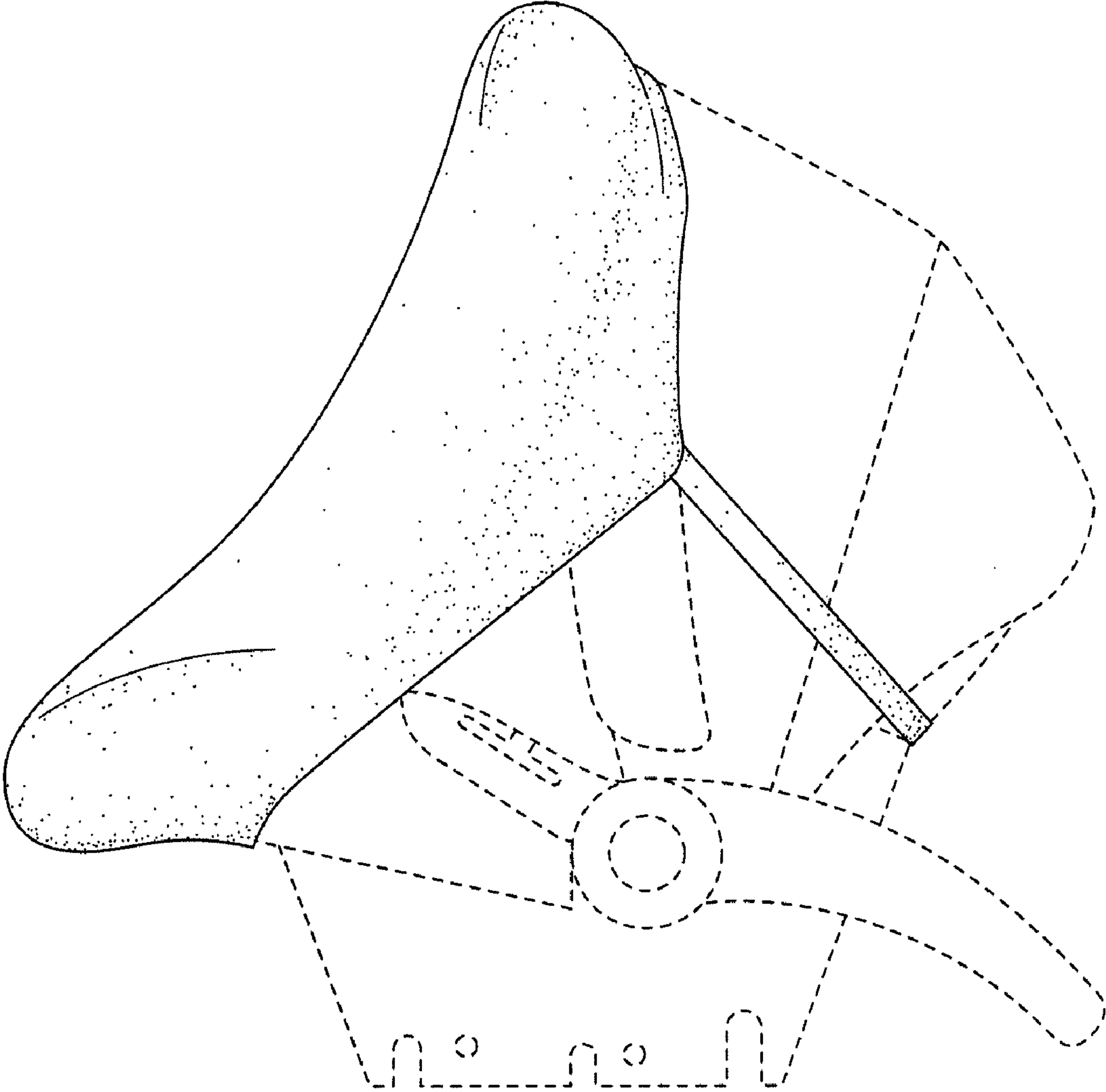


FIG. 5

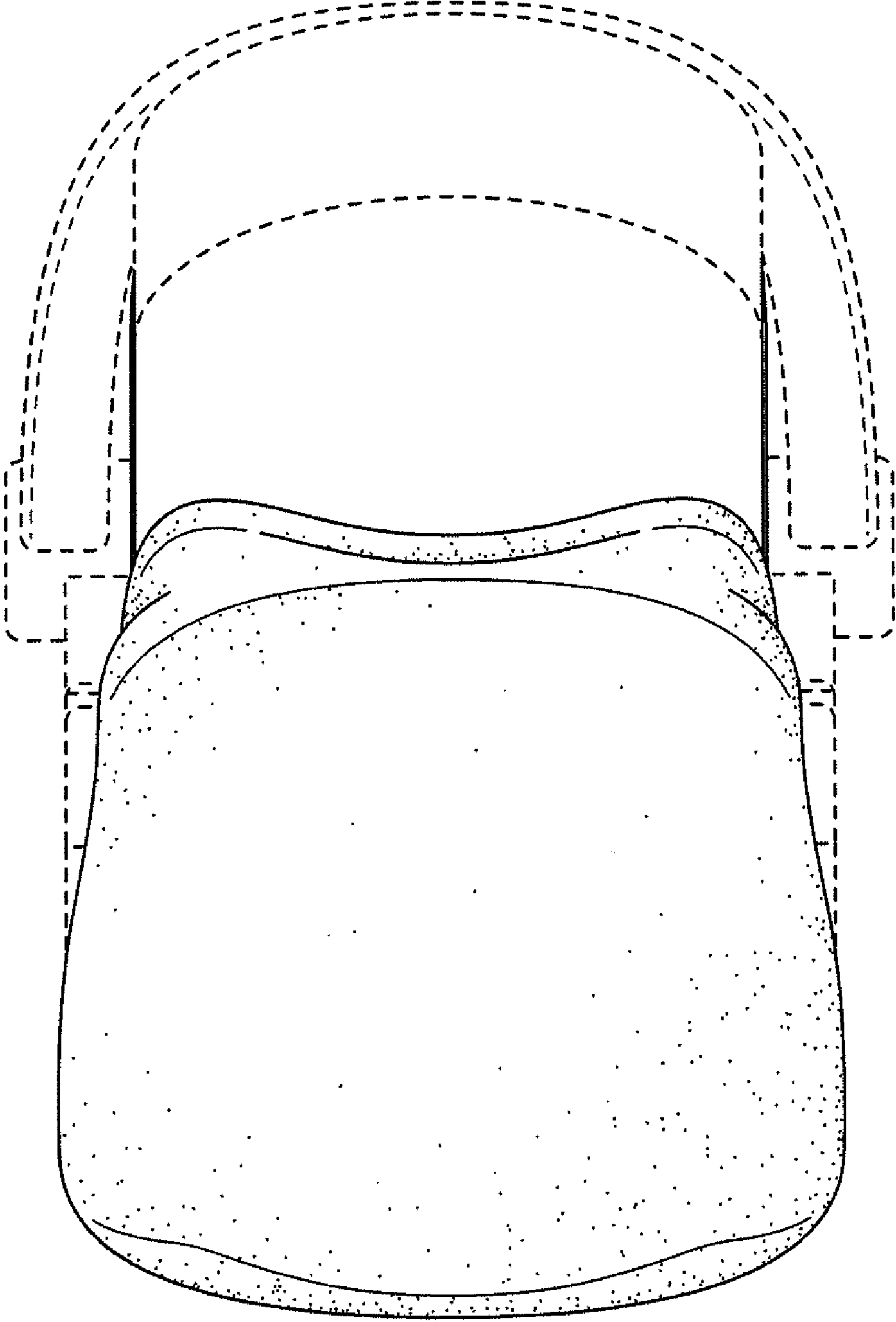


FIG. 6

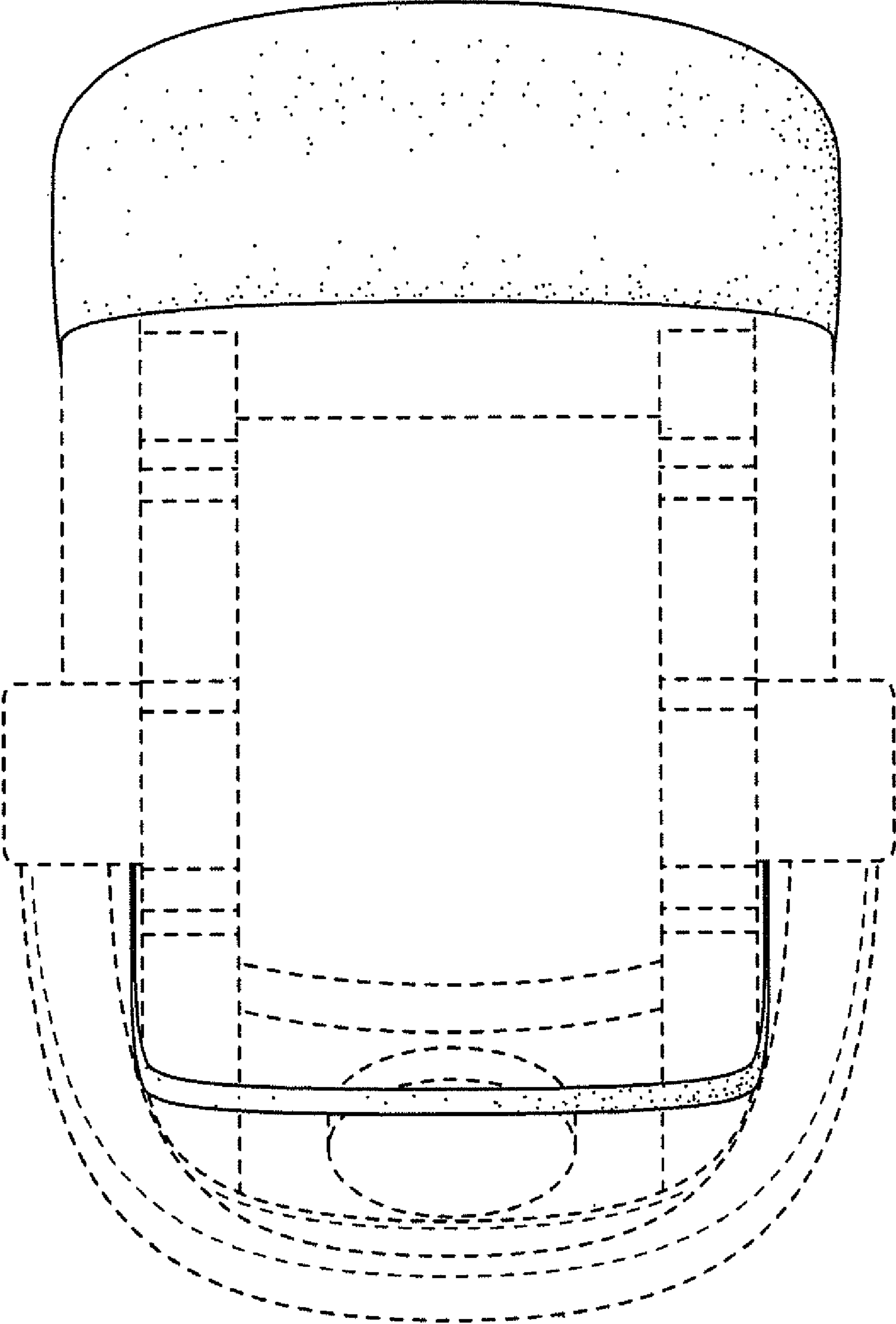


FIG. 7

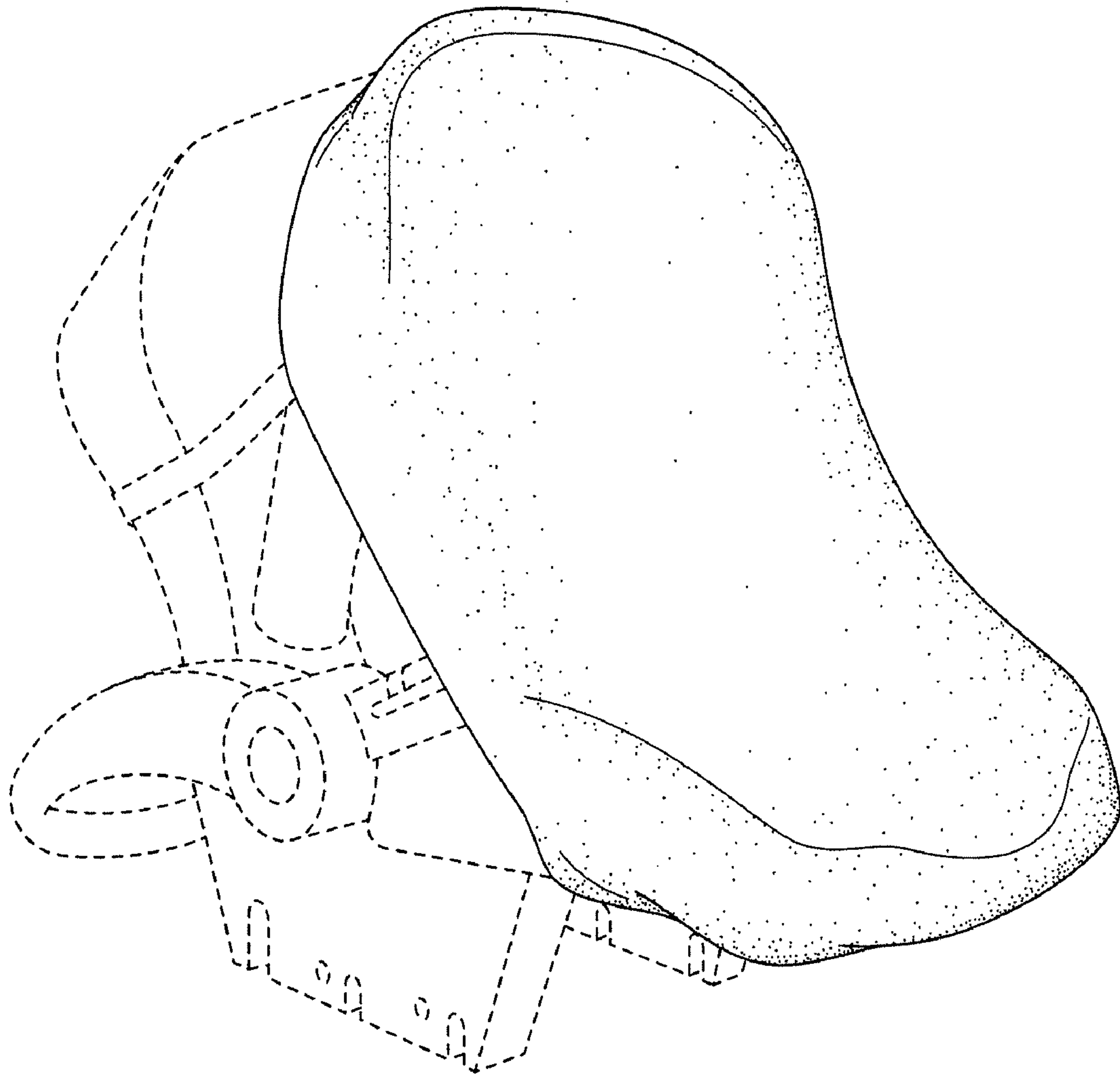


FIG. 8

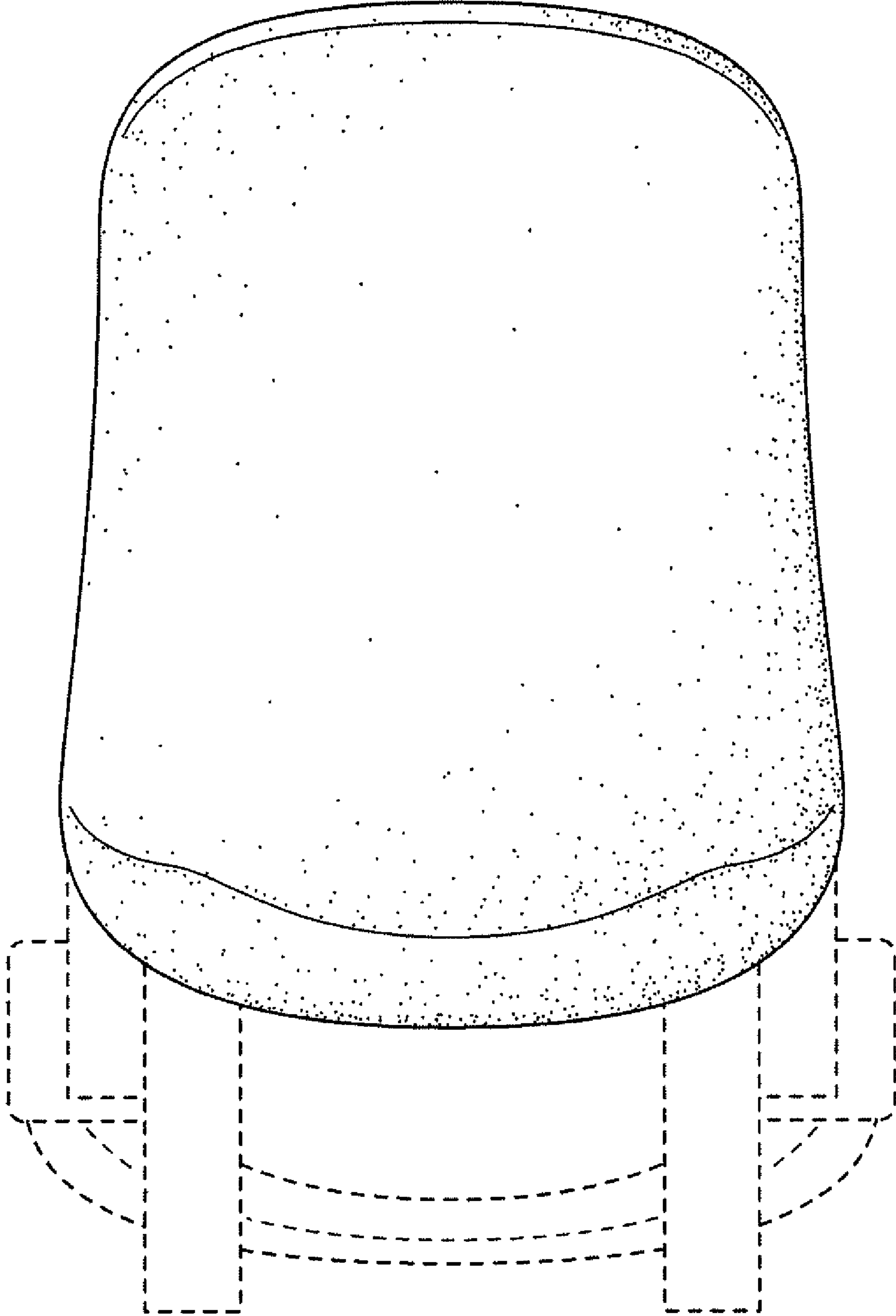


FIG. 9

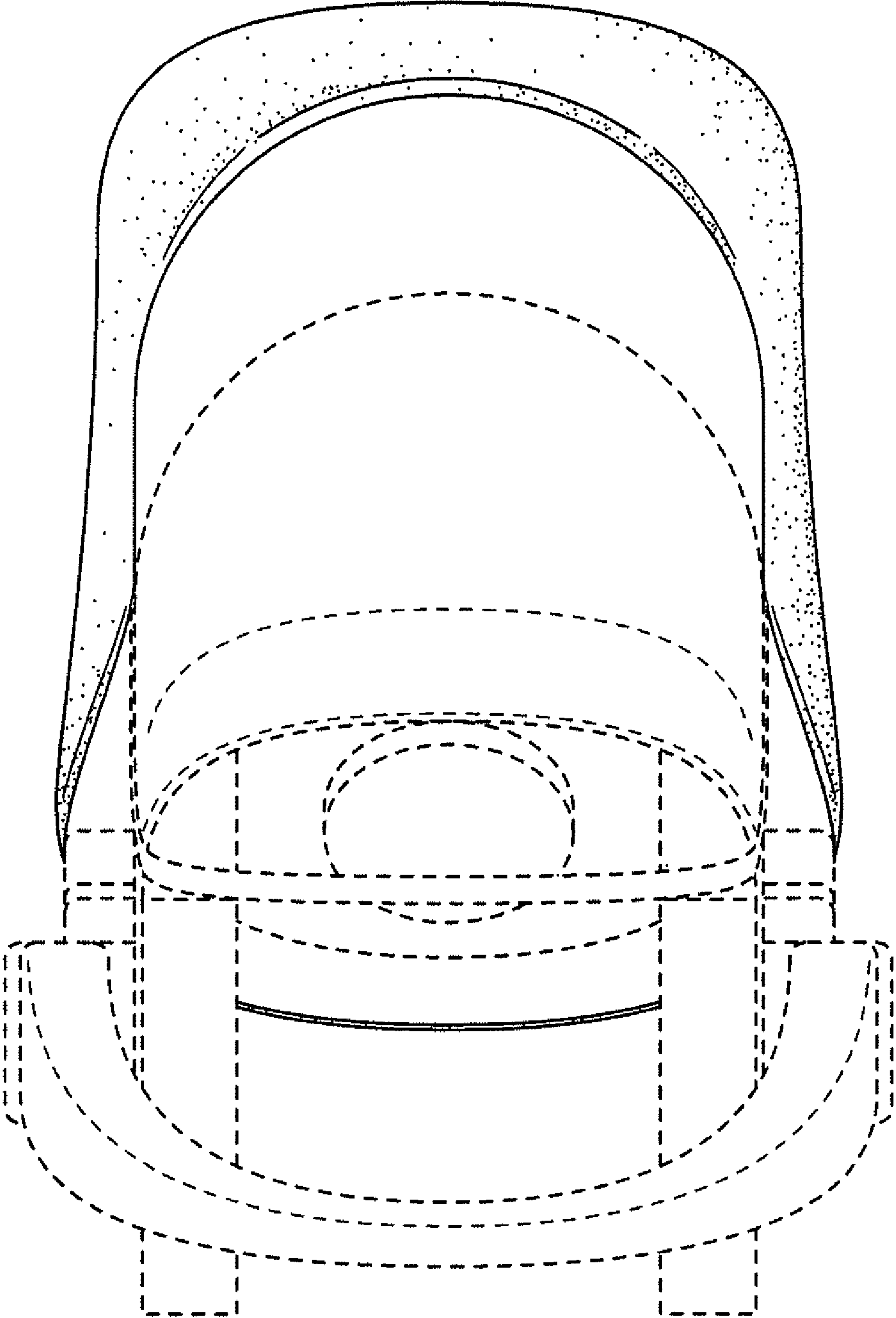


FIG. 10

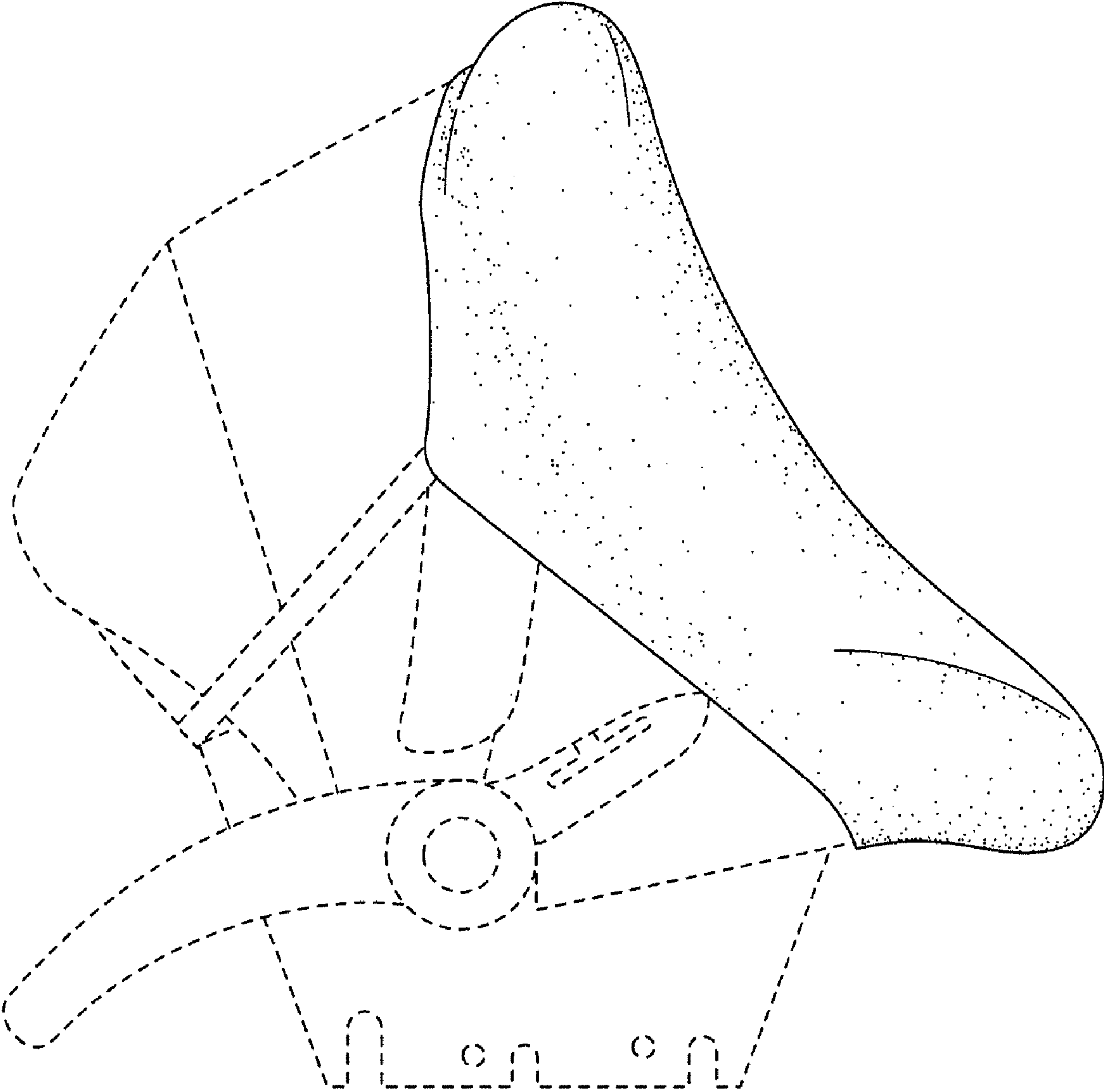


FIG. 11

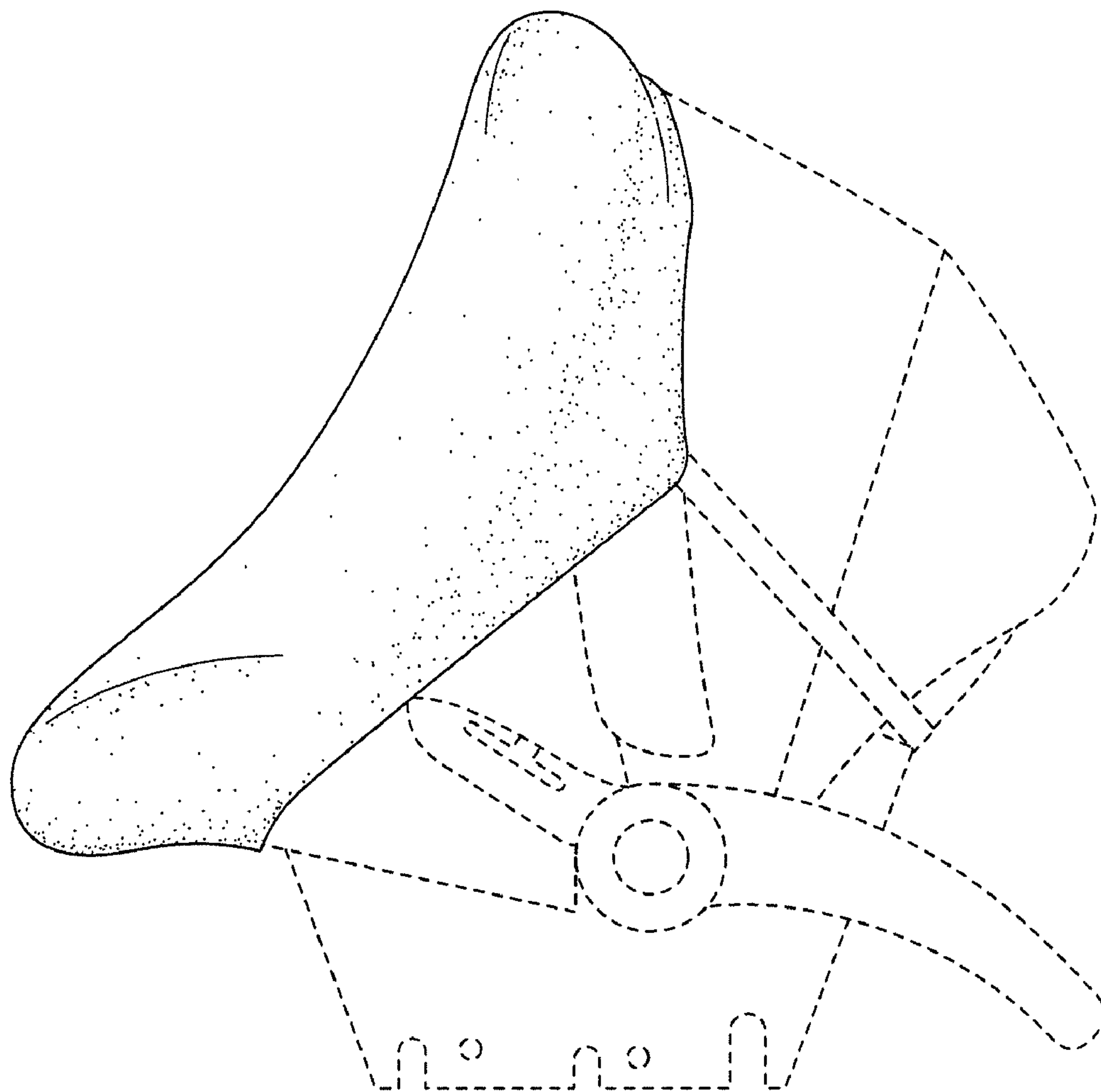


FIG. 12

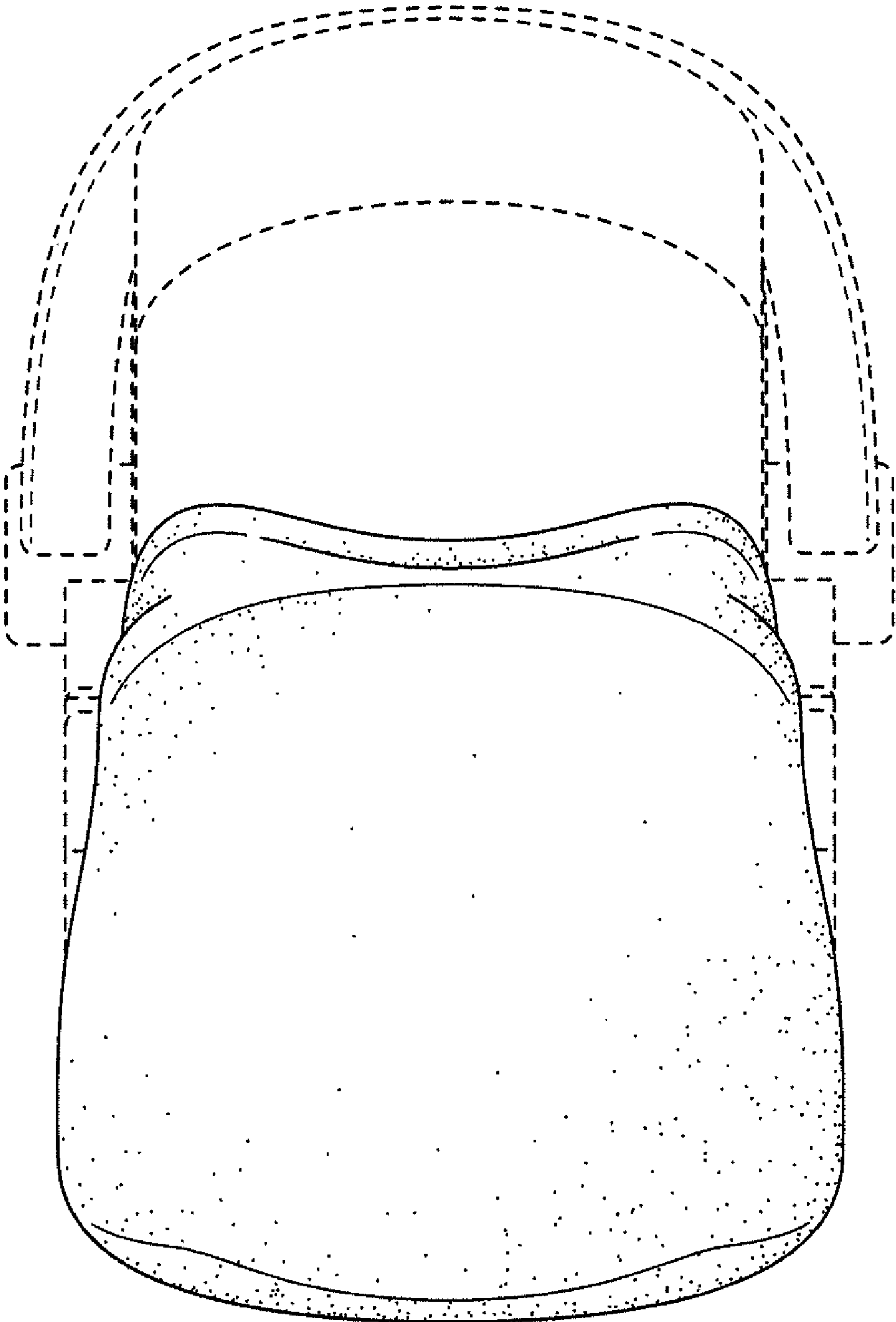


FIG. 13

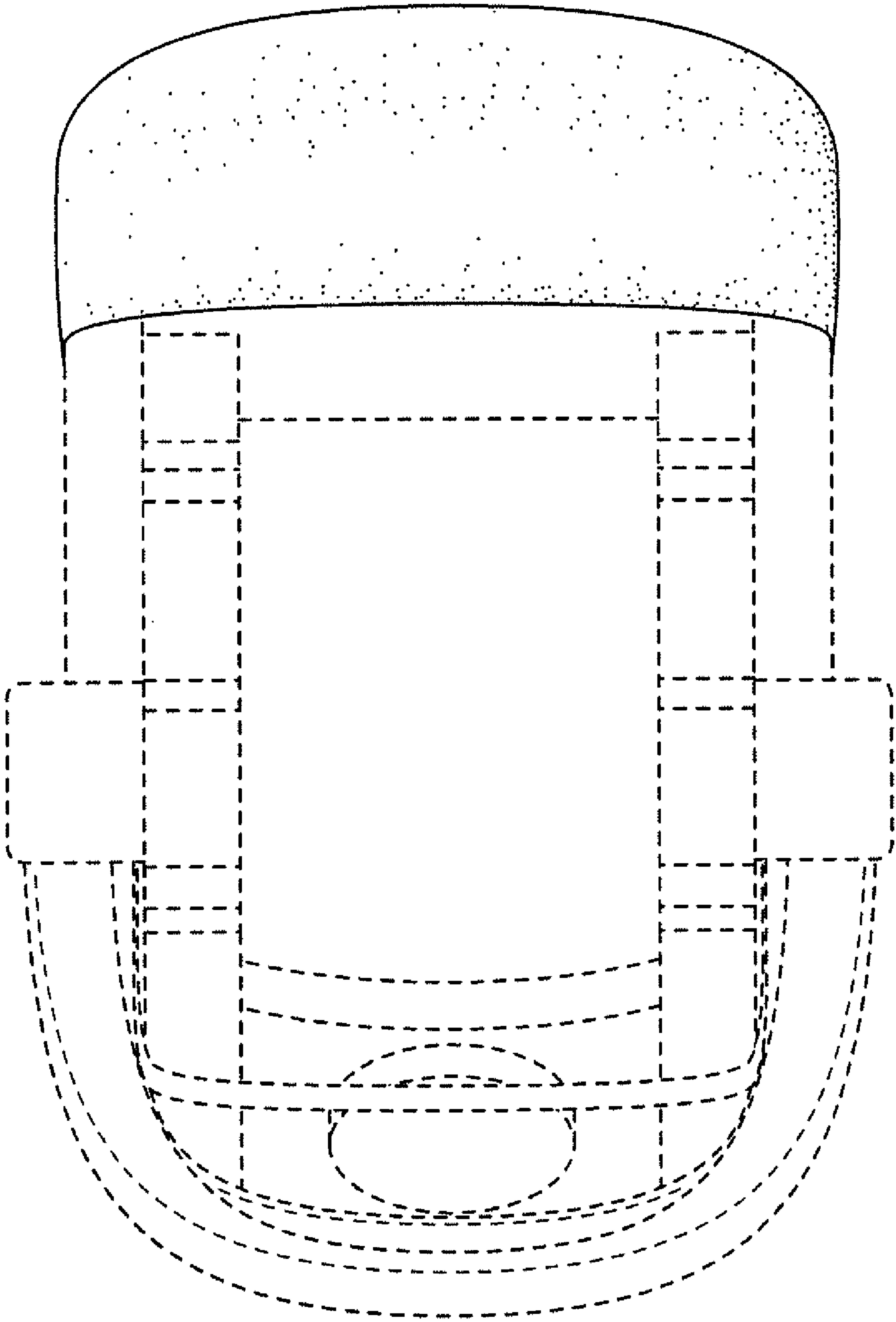


FIG. 14