



US00D673779S

(12) **United States Design Patent**  
**Takahashi**

(10) **Patent No.:** **US D673,779 S**  
(45) **Date of Patent:** **\*\* Jan. 8, 2013**

(54) **METAL SHEET MATERIAL**

(75) Inventor: **Masaya Takahashi**, Tokyo (JP)

(73) Assignee: **Sumitomo Light Metals Industries, Ltd.**, Tokyo (JP)

(\*\*) Term: **14 Years**

(21) Appl. No.: **29/388,783**

(22) Filed: **Apr. 1, 2011**

(30) **Foreign Application Priority Data**

Oct. 4, 2010	(JP)	2010-023693
Feb. 16, 2011	(JP)	2011-003172
Feb. 25, 2011	(JP)	2011-004038
Feb. 25, 2011	(JP)	2011-004040

(51) **LOC (9) Cl.** ..... **05-06**

(52) **U.S. Cl.** ..... **D5/54**

(58) **Field of Classification Search** ..... D5/4, 7, D5/11, 43, 47, 50, 53-56, 61, 63, 99; D6/582, D6/602, 612, 613, 617, 622; D24/124-126; D32/40; 4/581; 5/402, 490, 495; 15/208, 15/215; 112/401, 402; 139/383 B, 383 R, 139/416, 420 B, 420 R, 428; 162/111, 116, 162/134, 140, 416; 245/2; 428/32, 37, 39, 428/57, 66.5, 79, 85, 181, 221, 542.6; 442/181, 442/320, 327; 604/385.01

See application file for complete search history.

(56) **References Cited**

**U.S. PATENT DOCUMENTS**

1,074,824 A \* 10/1913 Wadsworth ..... 72/188  
(Continued)

**FOREIGN PATENT DOCUMENTS**

JP 9-254955 9/1997  
(Continued)

**OTHER PUBLICATIONS**

Un-published U.S. Appl. No. 13/508,822, filed May 9, 2012.

*Primary Examiner* — Karen S Acker

(74) *Attorney, Agent, or Firm* — J-TEK Law PLLC; Jeffrey D. Tekanic

(57) **CLAIM**

The ornamental design for a metal sheet material, as shown and described.

**DESCRIPTION**

FIG. 1 is an enlarged detail of a top view of the metal sheet material shown in FIG. 4;

FIG. 2 is an enlarged detail of a bottom view of the metal sheet material shown in FIG. 5;

FIG. 3 is an enlarged detail of a perspective top view of the metal sheet material shown in FIG. 6;

FIG. 4 is a top view of my design, shown with perspective lines;

FIG. 5 is a bottom view of my design, shown with perspective lines;

FIG. 6 is a perspective top view of my design, shown with perspective lines;

FIG. 7 is a top view according to FIG. 4, shown without perspective lines;

FIG. 8 is a bottom view according to FIG. 5, shown without perspective lines; and,

FIG. 9 is a perspective top view according to FIG. 6, shown without perspective lines.

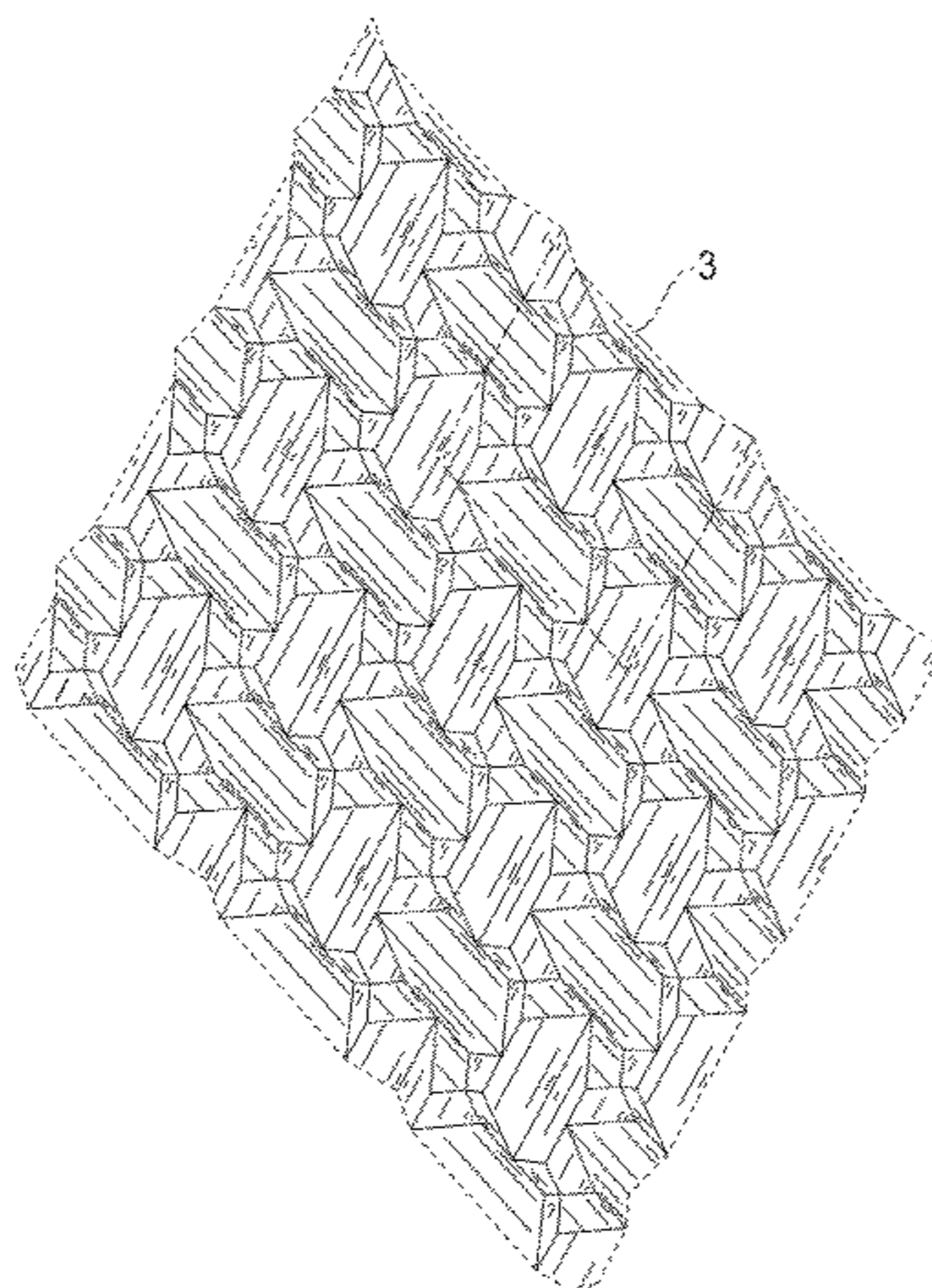
The evenly-spaced broken lines represent the boundary of the claim and form no part of the claimed design.

The dot-dash-dot lines shown in FIGS. 4-6 represent the boundaries of the details shown in FIGS. 1-3, respectively, and form no part of the claimed design.

The thickness of the metal sheet material forms no part of the claimed design.

The metal sheet material can be used as a covering material for an automobile part, such as e.g., a hood or bonnet, a door, a roof, a floor, a trunk lid, a bumper, a crumple or crush zone (box), a door beam, etc., or as an interior or exterior covering material for building construction materials, such as e.g., a wall, a pipe, etc., or as a covering material for a container configured to hold one or more items, such as e.g., food or medicine. The metal sheet material may comprise iron, aluminum and/or alloys thereof, such as, e.g., steel.

**1 Claim, 8 Drawing Sheets**



# US D673,779 S

Page 2

## U.S. PATENT DOCUMENTS

D71,046	S	*	9/1926	Boyd	.....	D5/47
2,380,447	A	*	7/1945	Jungersen	.....	359/547
D173,158	S	*	10/1954	Johnson	.....	D5/43
D178,569	S	*	8/1956	Hutchinson	.....	D5/4
2,858,247	A	*	10/1958	De Swart	.....	428/180
D188,648	S	*	8/1960	Cohen et al.	.....	D5/43
2,954,838	A	*	10/1960	Nuorivaara	.....	181/290
D190,068	S	*	4/1961	Vernon	.....	D5/53
3,011,602	A	*	12/1961	Ensrud et al.	.....	428/180
3,096,032	A	*	7/1963	Davis	.....	362/330
3,118,523	A	*	1/1964	Girod	.....	52/396.07
3,302,359	A	*	2/1967	Alleaume	.....	428/604
3,362,118	A	*	1/1968	Brunner	.....	52/284
3,407,788	A	*	10/1968	Hagmann	.....	122/6 A
4,146,666	A	*	3/1979	Houtlosser	.....	428/180
4,588,258	A	*	5/1986	Hoopman	.....	359/530
D313,512	S	*	1/1991	Legare	.....	D5/53
5,122,902	A	*	6/1992	Benson	.....	359/529
5,292,027	A	*	3/1994	Lueke	.....	220/495.06
5,612,117	A		3/1997	Belanger et al.		
5,889,615	A	*	3/1999	Dreyer et al.	.....	359/529
6,120,280	A	*	9/2000	Mimura et al.	.....	425/195
6,136,416	A	*	10/2000	Smith et al.	.....	428/172
6,383,607	B1	*	5/2002	Shin	.....	428/172
D625,110	S		10/2010	Koenig		
2007/0015000	A1		1/2007	Burdon		

## FOREIGN PATENT DOCUMENTS

	JP	10-166481	6/1998
	JP	11-501587	2/1999
	JP	2960402 B1	7/1999
	JP	2000-136720	5/2000
	JP	2000-257441	9/2000
	JP	2000-288643	10/2000
	JP	2002-307117	10/2002
	JP	2002-321018	11/2002
	JP	2003-261070	9/2003
	JP	2004-26120	1/2004
	JP	2004-106022	4/2004
	JP	2006-305999	11/2006
	JP	2007-112356	5/2007
	JP	2008-180125	8/2008
	JP	2009-257342	11/2009
	JP	2011-27248	2/2011
	JP	2011-101893	5/2011
	JP	2011-110847	6/2011
	JP	2011-147950	8/2011
	JP	2011-156581	8/2011
	JP	2011-202350	10/2011
	JP	2011-230174	11/2011
	JP	2012-30261	2/2012
	WO	03/056111	7/2003
	WO	20111058922	5/2011

\* cited by examiner

FIG. 1

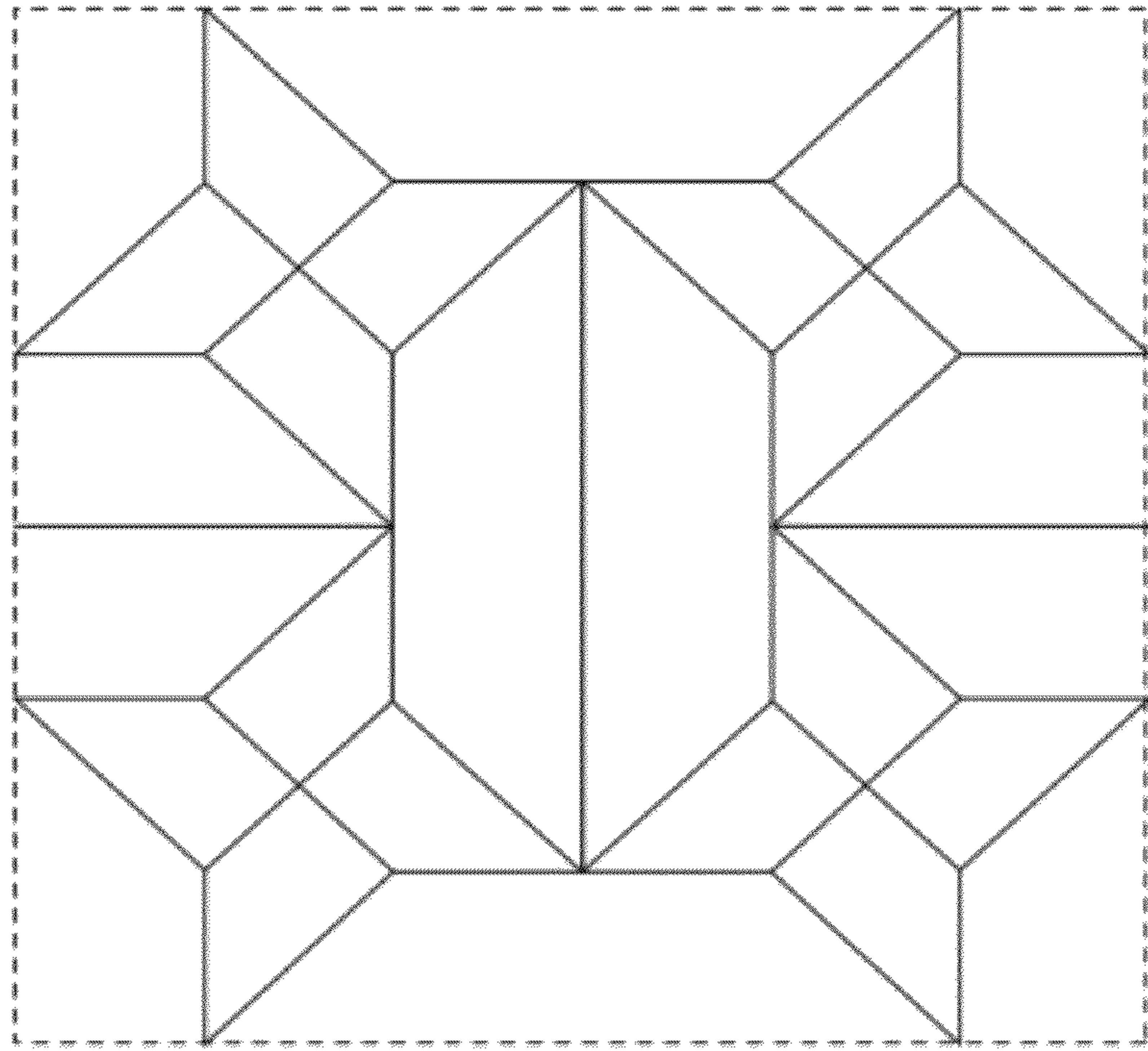
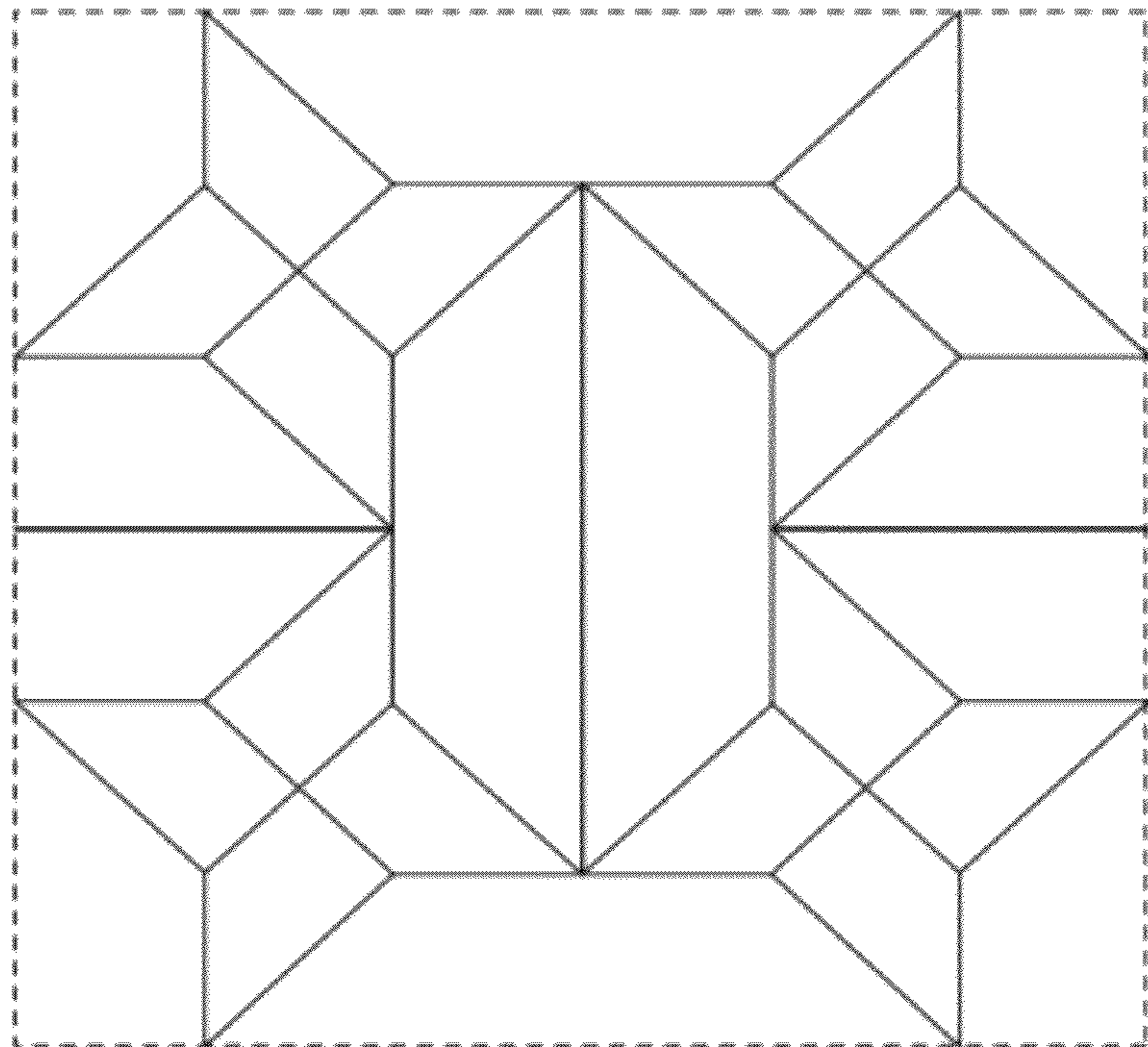
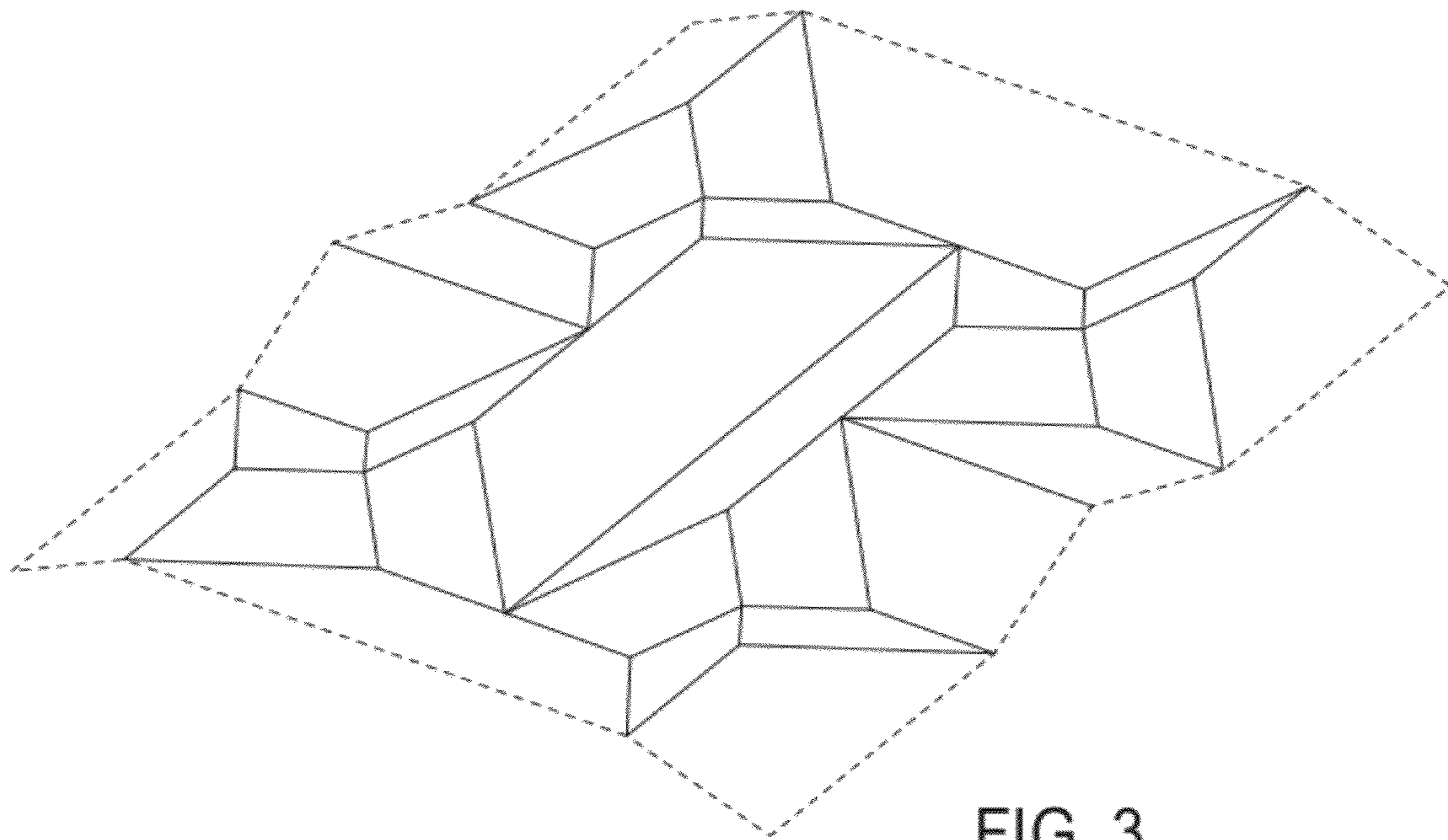


FIG. 2





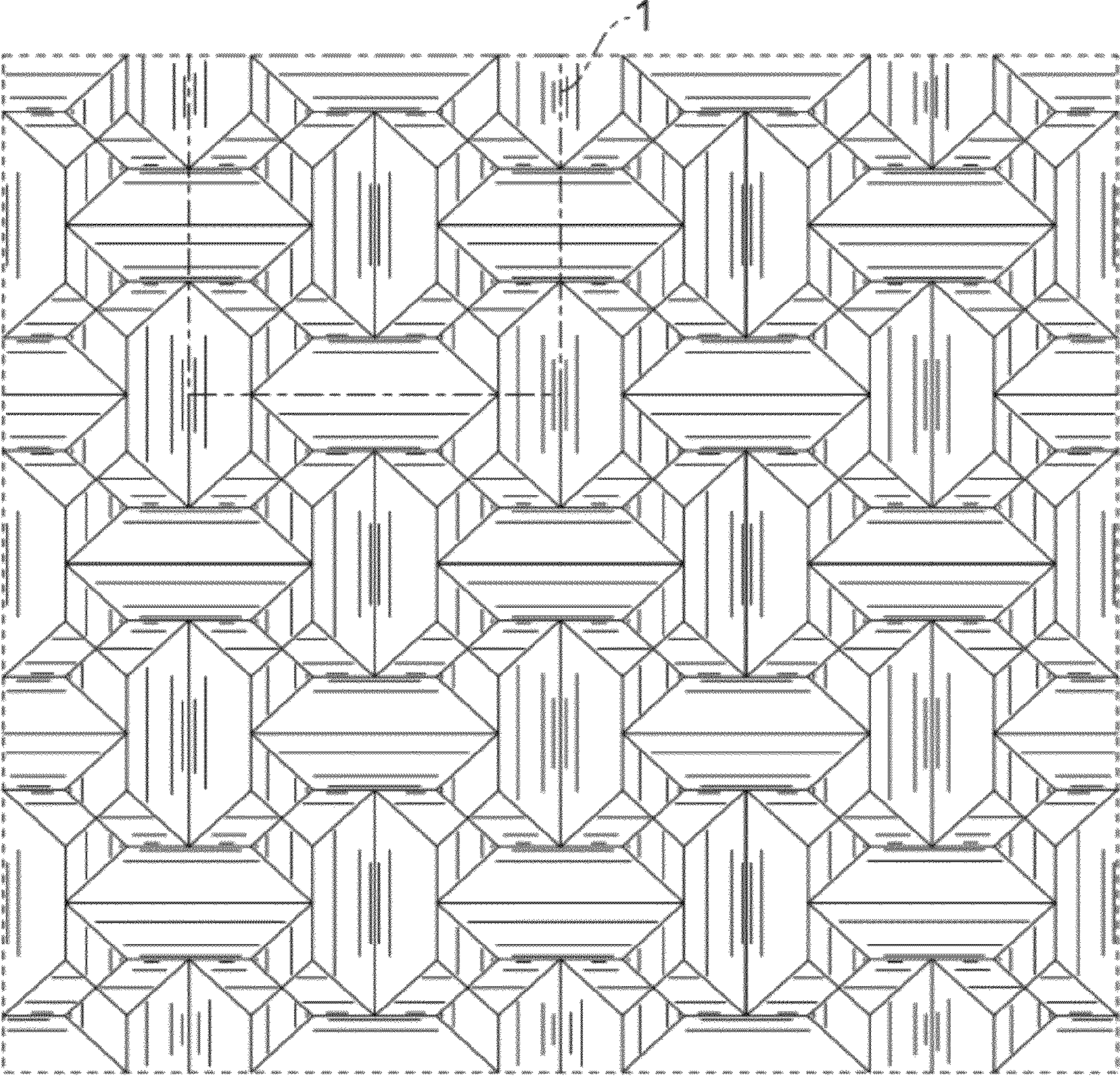


FIG. 4

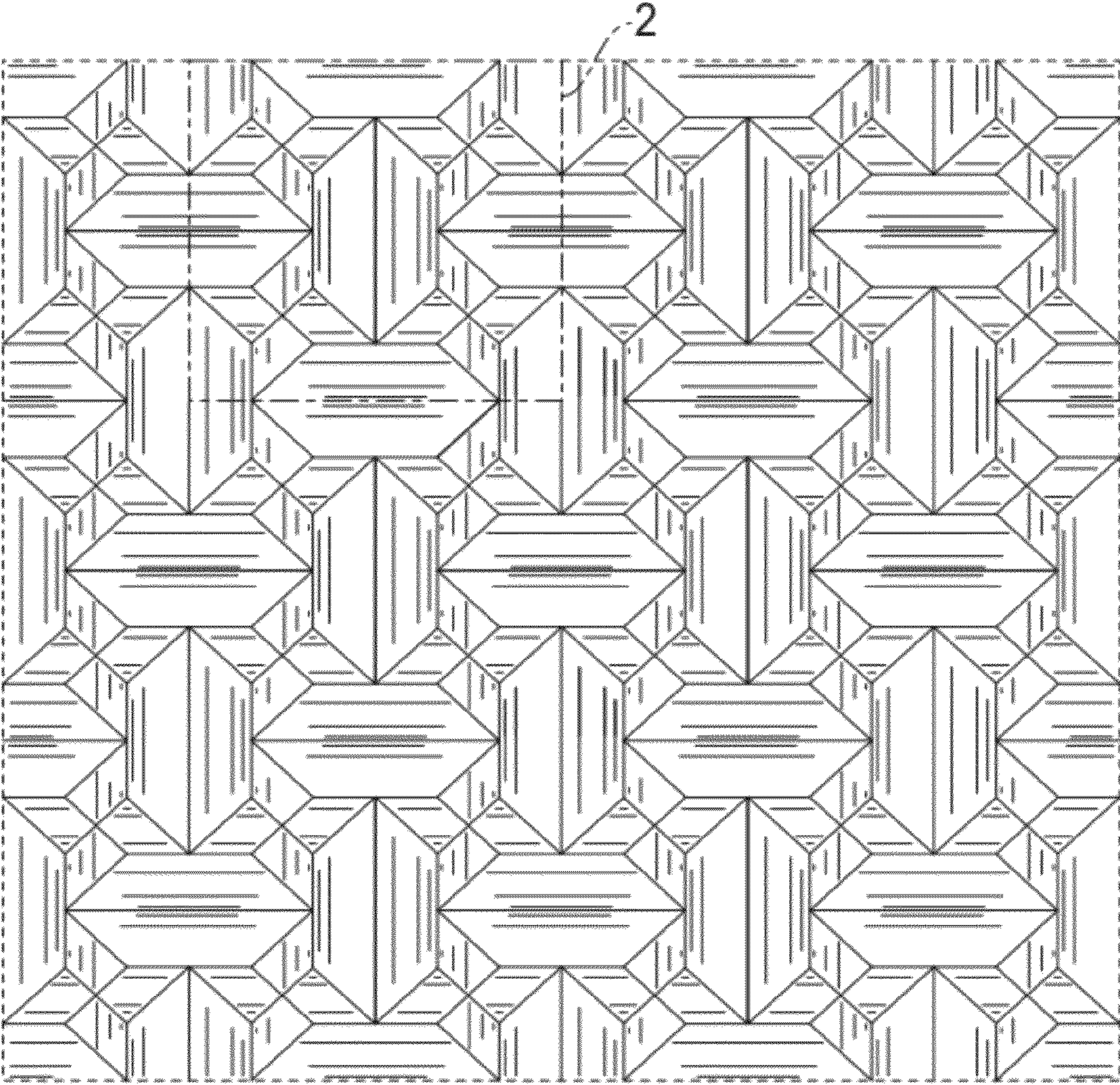


FIG. 5

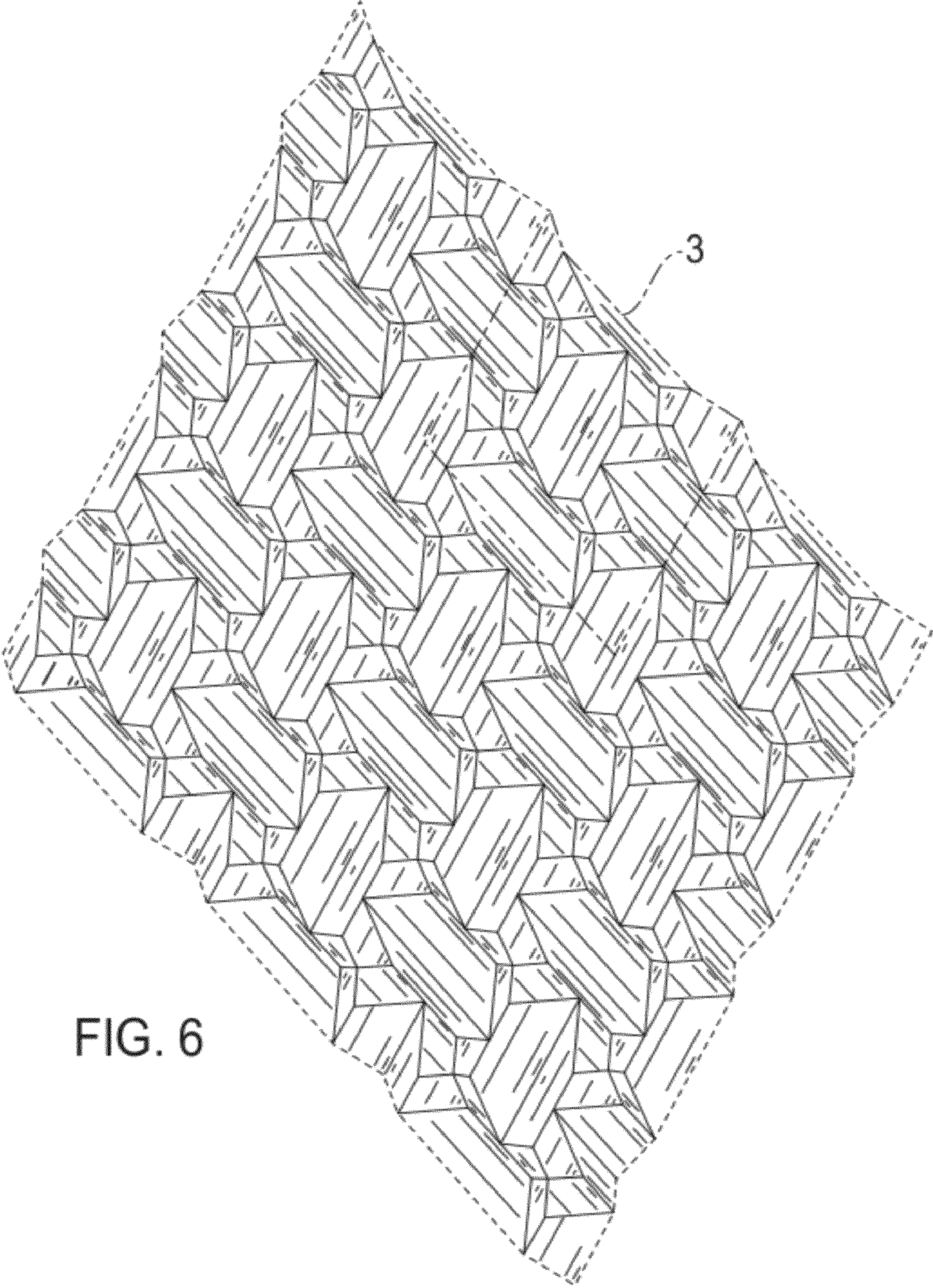


FIG. 6

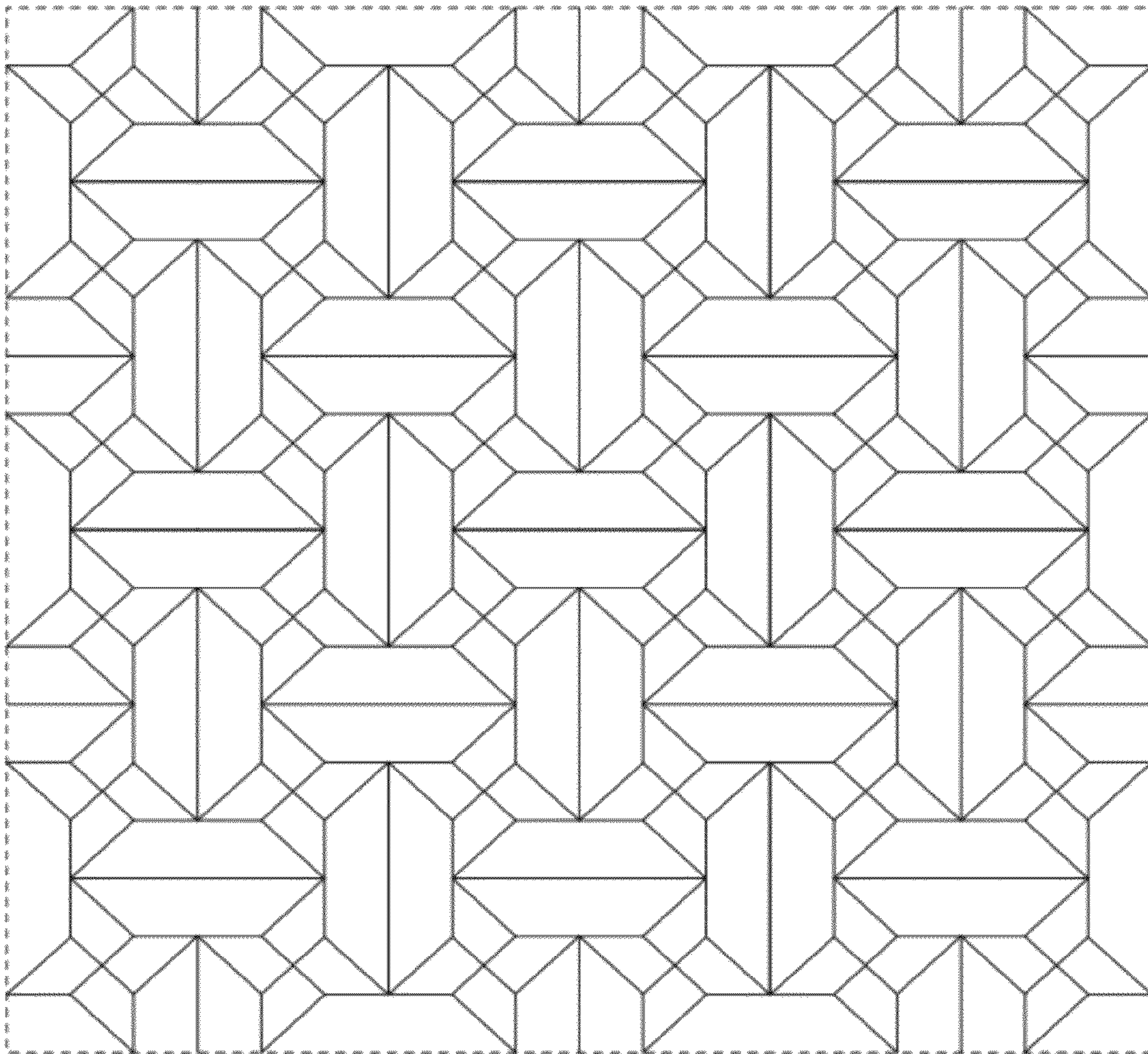


FIG. 7



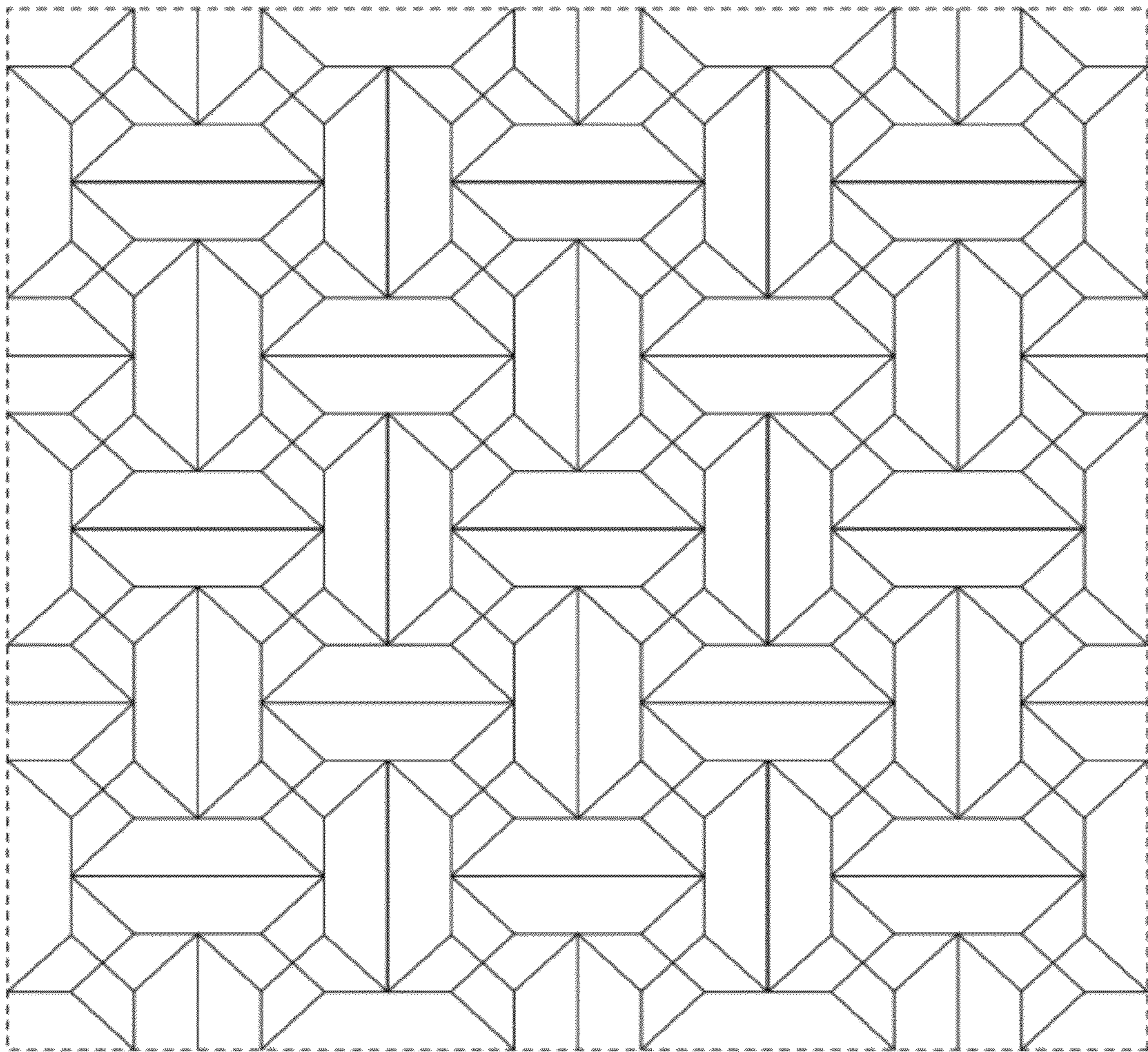


FIG. 8

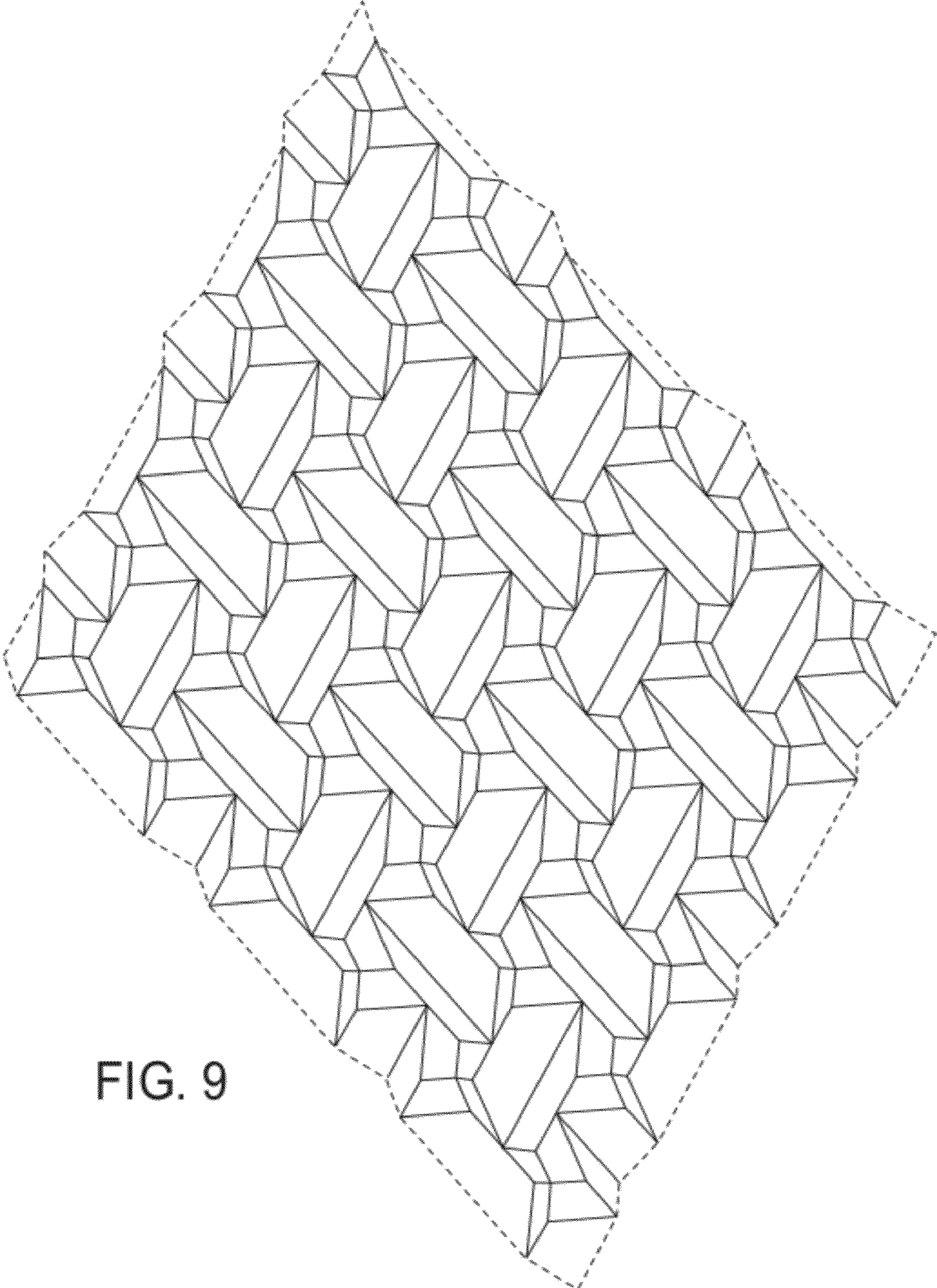


FIG. 9