



US00D673770S

(12) **United States Design Patent**  
**Meurrens**

(10) **Patent No.:** **US D673,770 S**  
(45) **Date of Patent:** **\*\* Jan. 8, 2013**

(54) **EYEGLOSS CLEANING APPARATUS**

(75) Inventor: **Peter Meurrens**, Burnaby (CA)

(73) Assignee: **Parkside Optical Inc.**, Vancouver (CA)

(\*\*) Term: **14 Years**

(21) Appl. No.: **29/385,455**

(22) Filed: **Feb. 14, 2011**

(30) **Foreign Application Priority Data**

Aug. 17, 2010 (CA) ..... 136791

(51) **LOC (9) Cl.** ..... **03-01**

(52) **U.S. Cl.** ..... **D3/219**

(58) **Field of Classification Search** ..... D3/219,  
D3/215, 226, 263, 265; 206/5.1, 37-38,  
206/229; D6/608; 224/251, 274; 134/6,  
134/42; 15/104.94, 214, 244.3; 401/23,  
401/37, 195-196, 202

See application file for complete search history.

(56) **References Cited**

**U.S. PATENT DOCUMENTS**

3,643,279 A \* 2/1972 De Bruhl ..... 15/104.94  
4,480,352 A 11/1984 Eggett  
4,818,134 A \* 4/1989 Tsai ..... 15/214  
4,842,132 A 6/1989 Wells  
5,222,268 A 6/1993 Snodgrass  
5,457,842 A 10/1995 Chang  
D380,604 S \* 7/1997 Mobley ..... D3/215  
5,988,910 A \* 11/1999 Yahav ..... 15/214  
5,993,560 A 11/1999 Wasak  
D581,154 S \* 11/2008 Cameron ..... D3/215  
2007/0039115 A1 2/2007 Stefel

**FOREIGN PATENT DOCUMENTS**

CA 2611821 A1 8/2008

**OTHER PUBLICATIONS**

“Scunci swipes eyeglass cleaner”. Web printed on May 6, 2011.  
[http://www.bestofasseenontv.com/Scunci\\_Swipes/Scunci\\_Swipes.php](http://www.bestofasseenontv.com/Scunci_Swipes/Scunci_Swipes.php).

\* cited by examiner

*Primary Examiner* — Catheri Oliver-Garcia

(74) *Attorney, Agent, or Firm* — Oyen Wiggs Green & Mutala LLP

(57) **CLAIM**

The ornamental design for an eyeglass cleaning apparatus, as shown and described.

**DESCRIPTION**

FIG. 1 is a perspective view of the eyeglass cleaning apparatus in a closed configuration showing a brush in a retracted position;

FIG. 2 is a top view thereof;

FIG. 3 is a bottom view thereof;

FIG. 4 is a front view thereof;

FIG. 5 is a rear view thereof;

FIG. 6 is a left end view thereof;

FIG. 7 is a right end view thereof;

FIG. 8 is a perspective view of the eyeglass cleaning apparatus in a closed configuration showing a brush in an extended position;

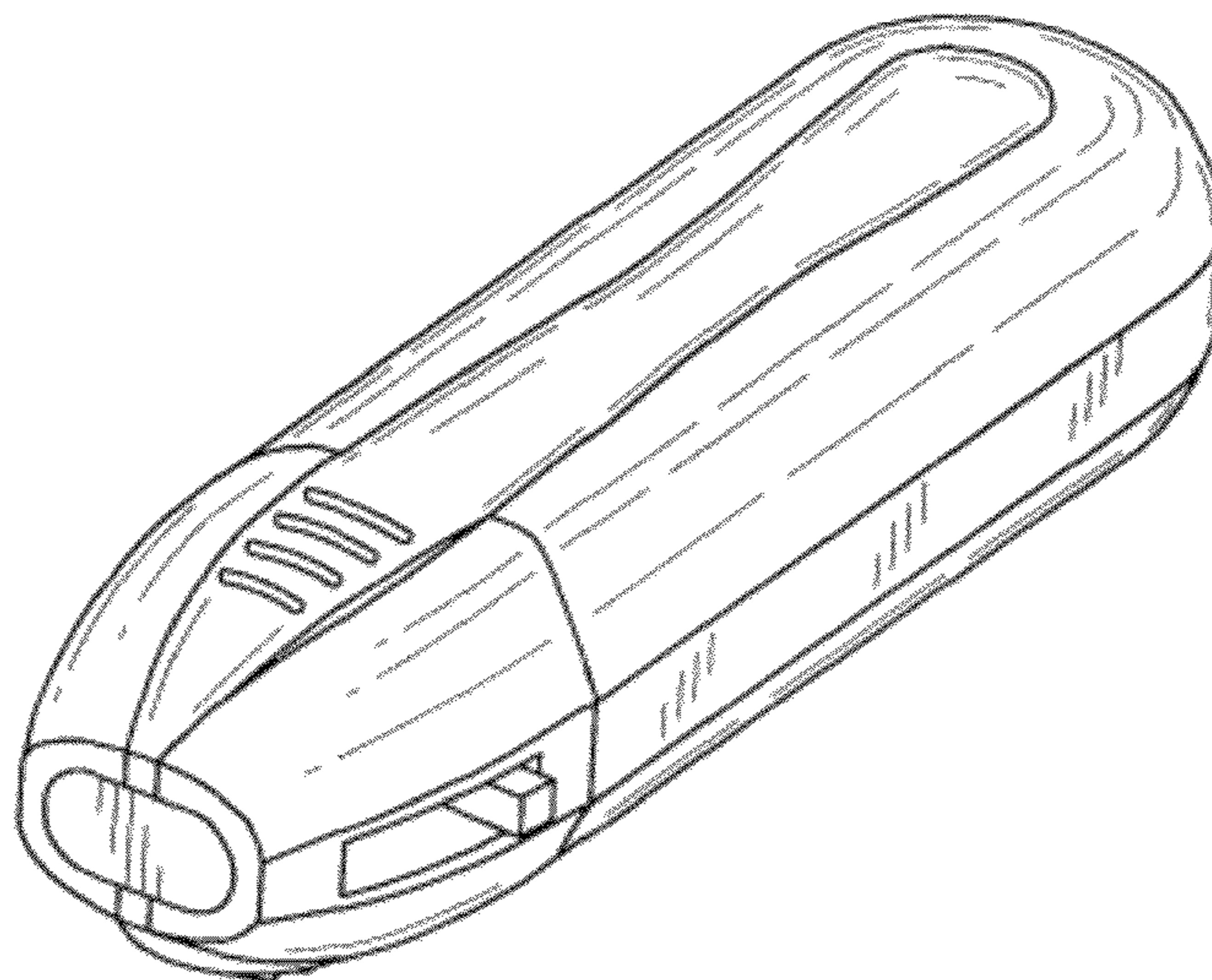
FIG. 9 is a front view thereof;

FIG. 10 is a perspective view of the eyeglass cleaning apparatus in an open configuration showing a brush in an extended position;

FIG. 11 is a front view thereof; and,

FIG. 12 is a top view thereof.

**1 Claim, 4 Drawing Sheets**



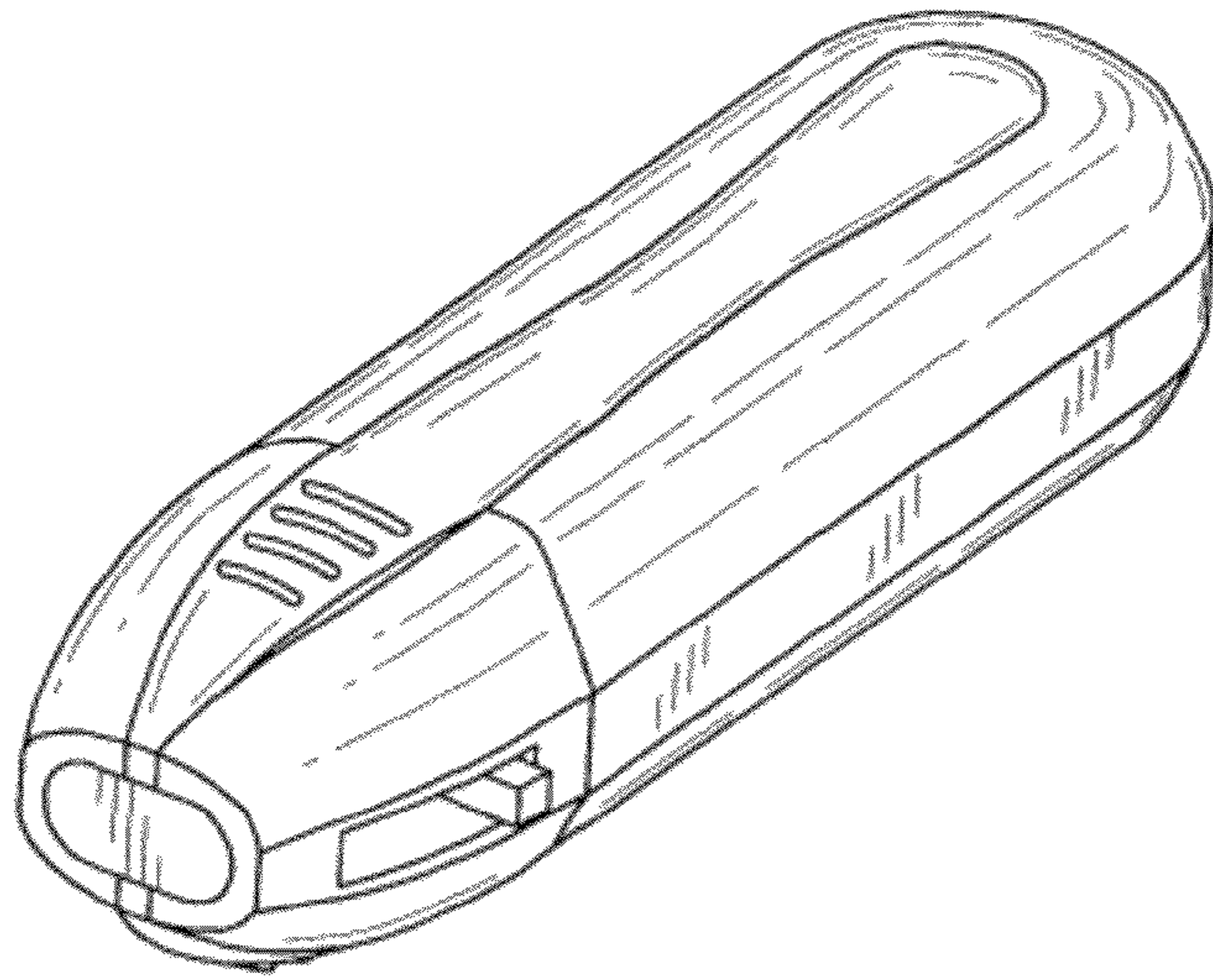


FIG. 1

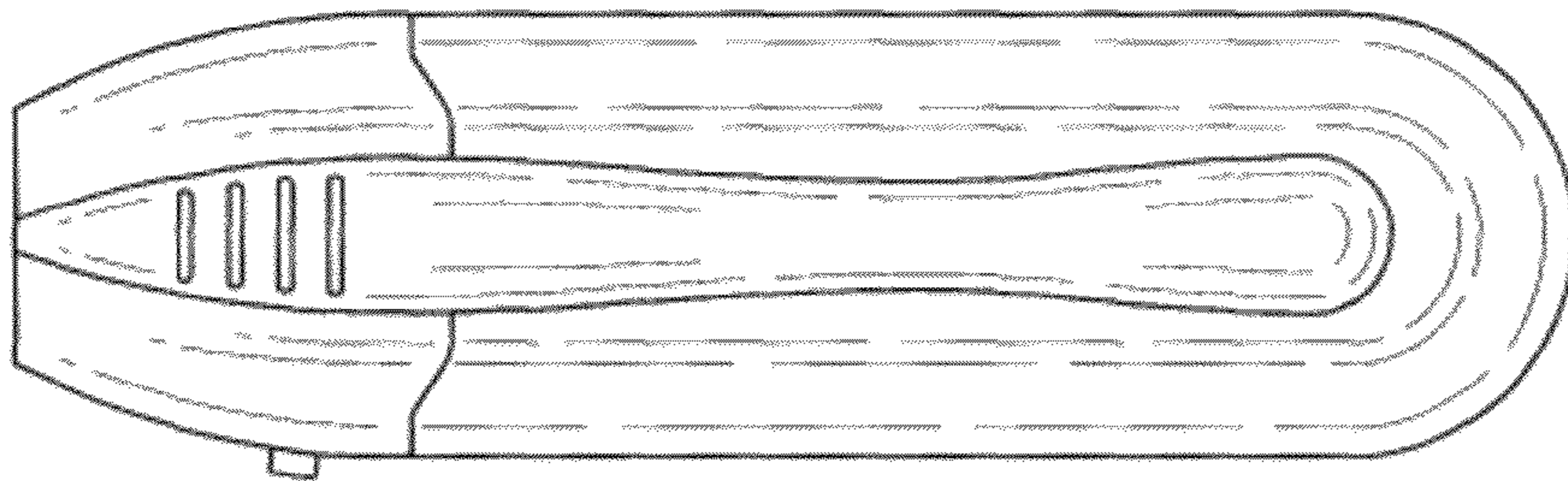


FIG. 2

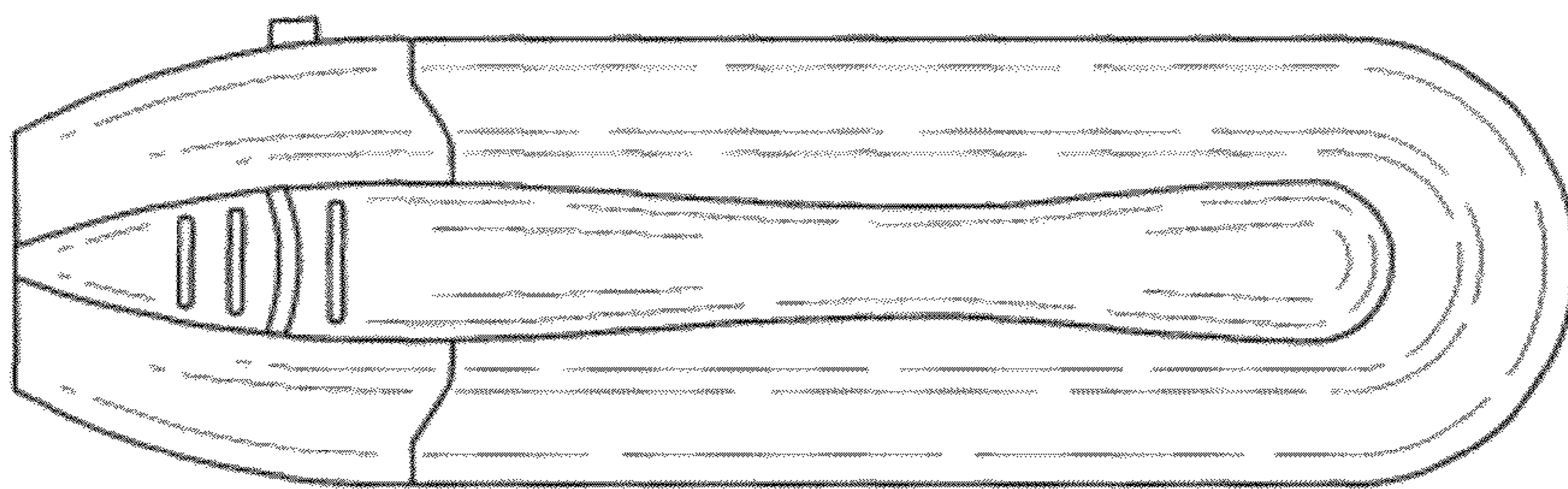


FIG. 3

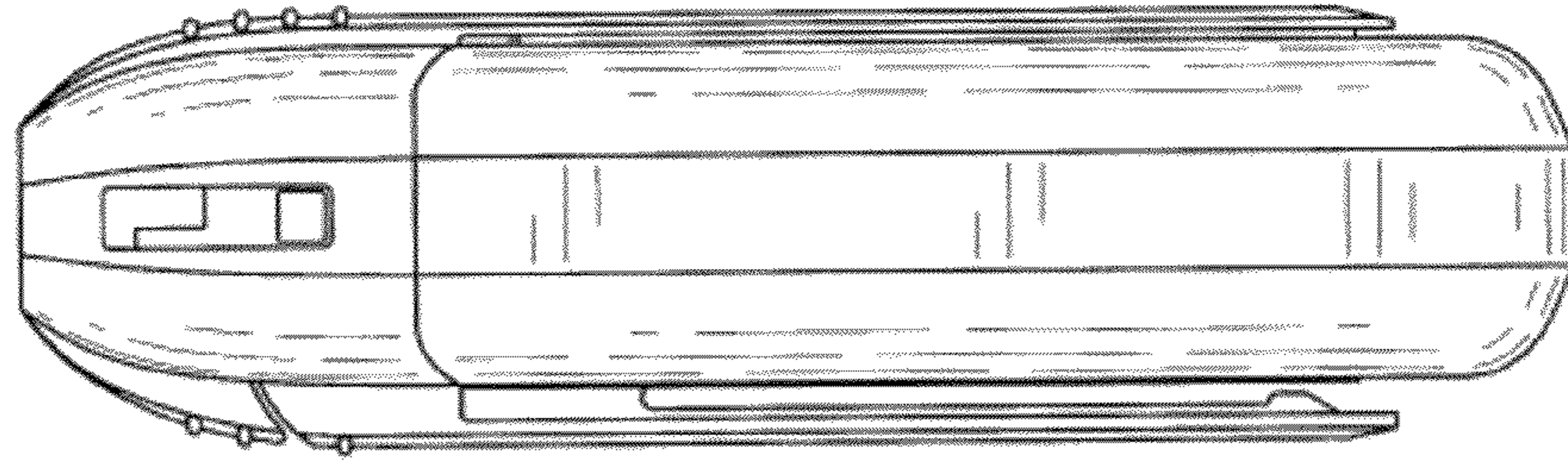


FIG. 4

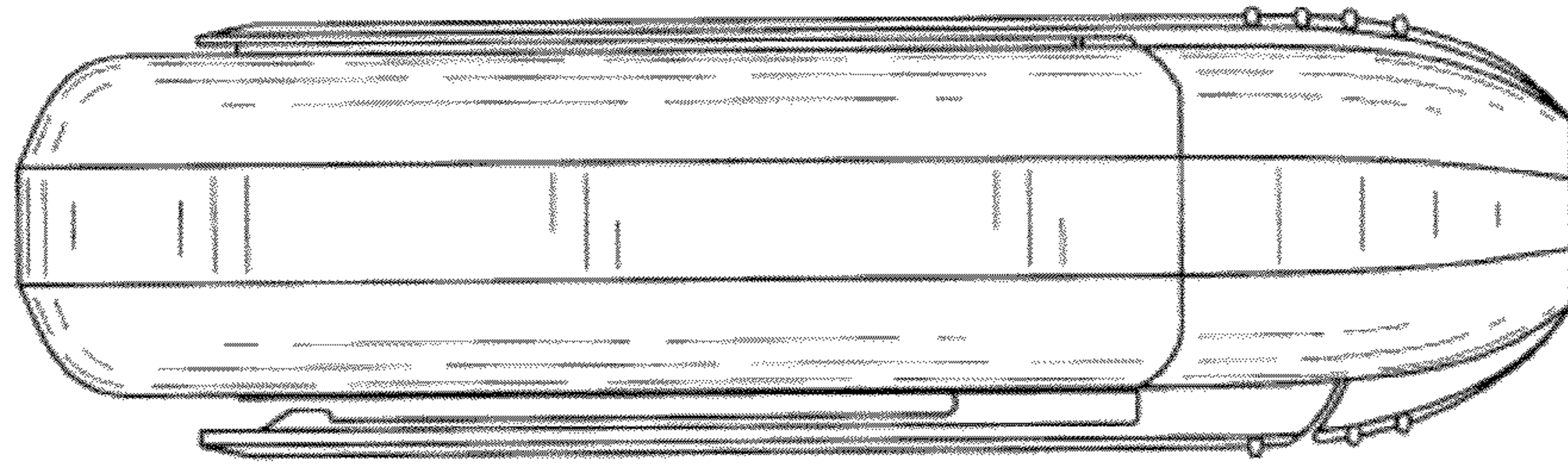


FIG. 5

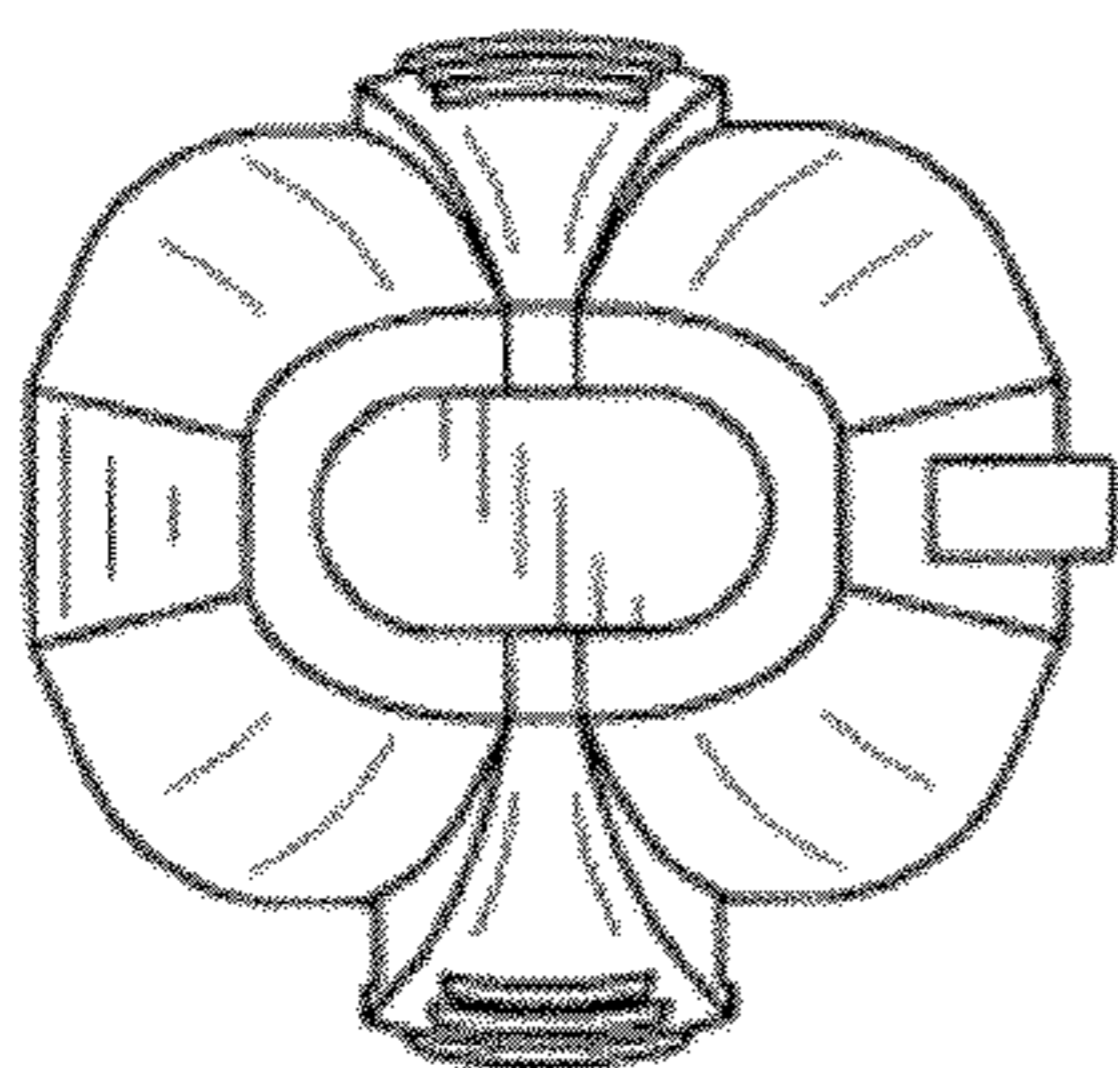


FIG. 6

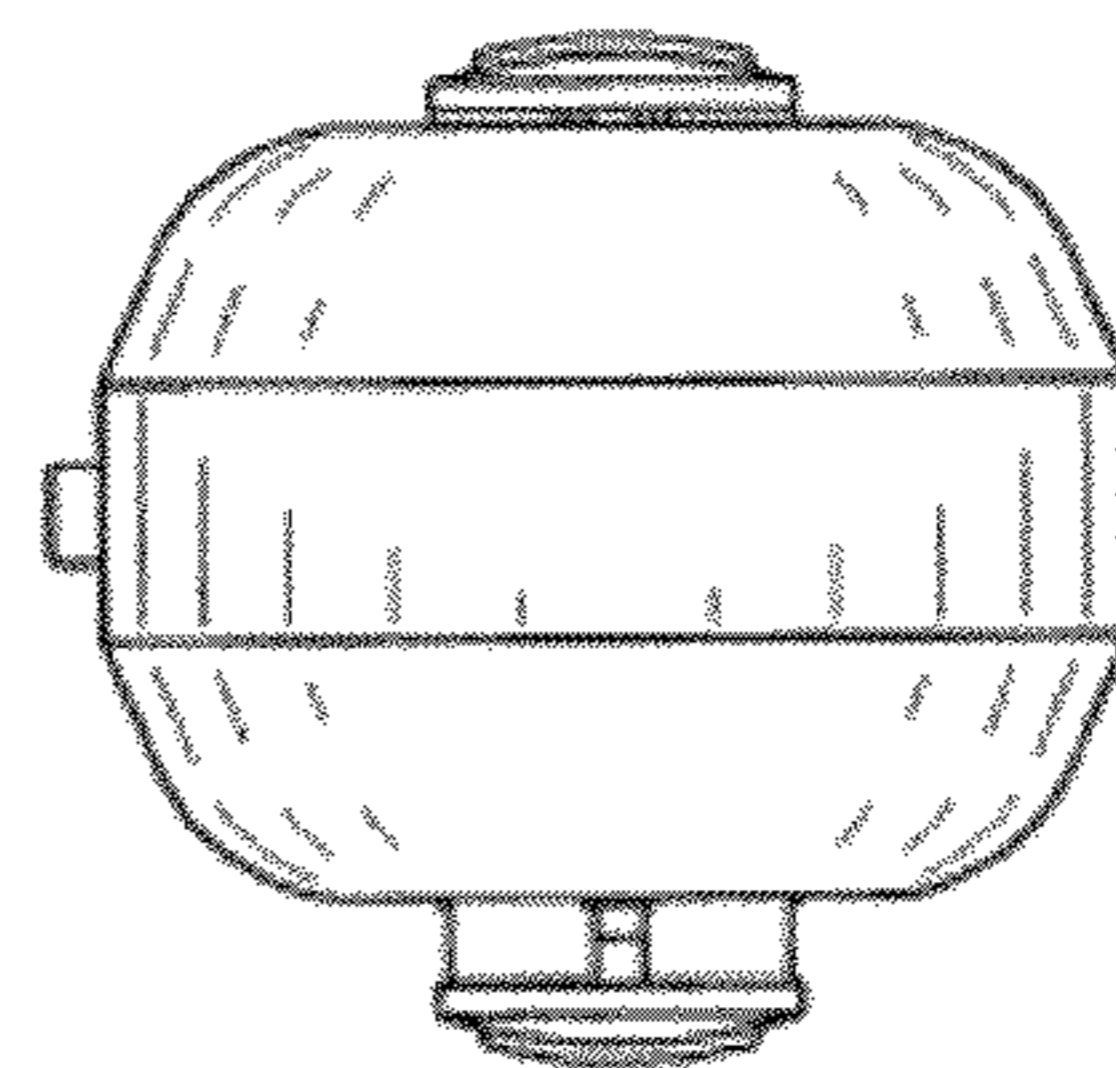


FIG. 7

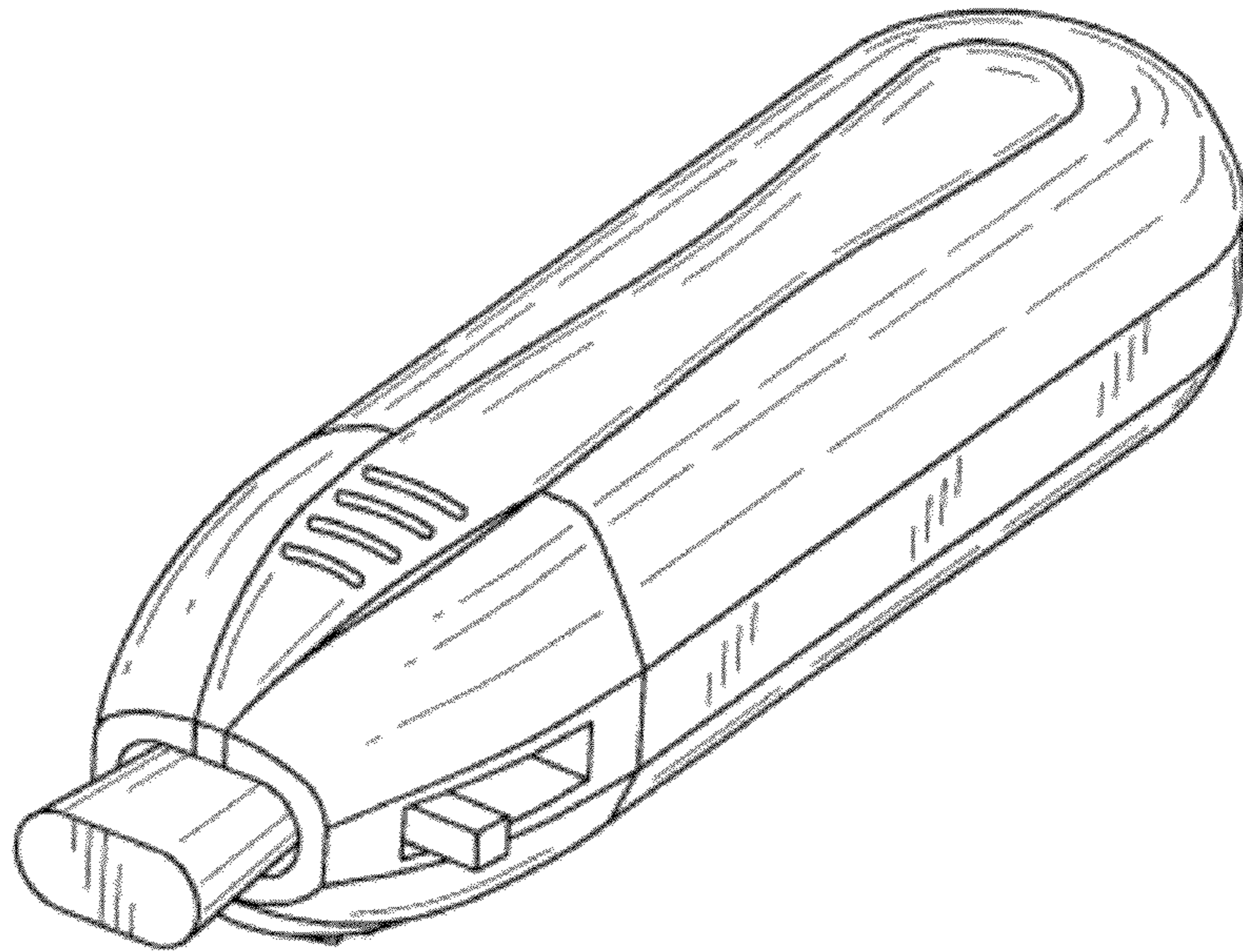


FIG. 8

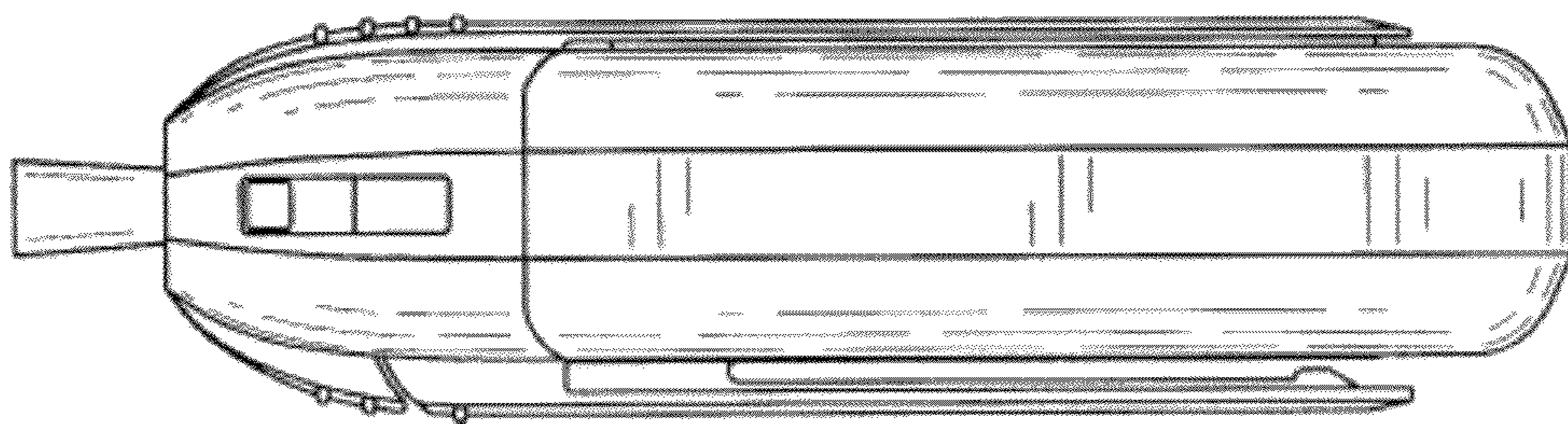


FIG. 9

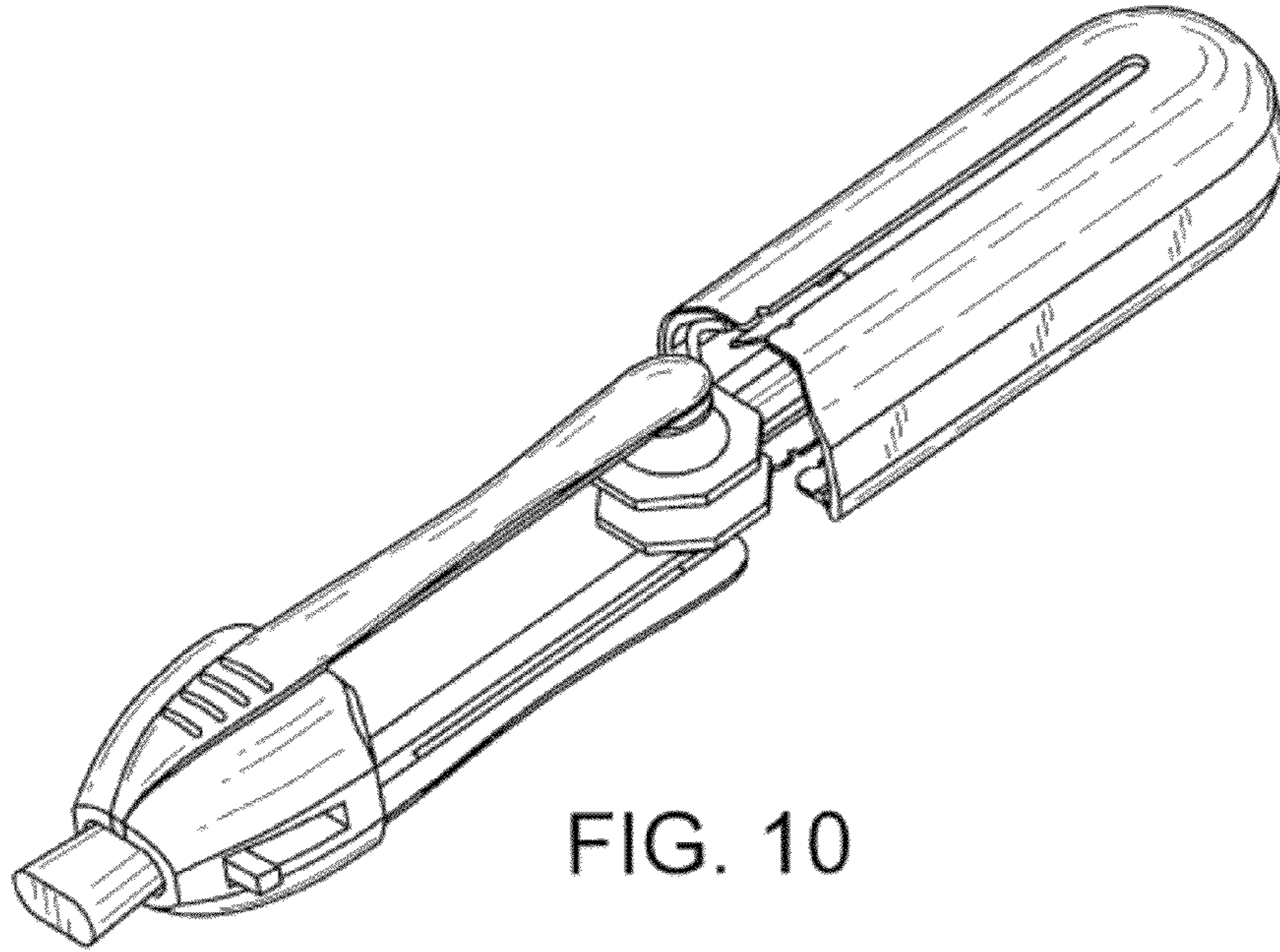


FIG. 10

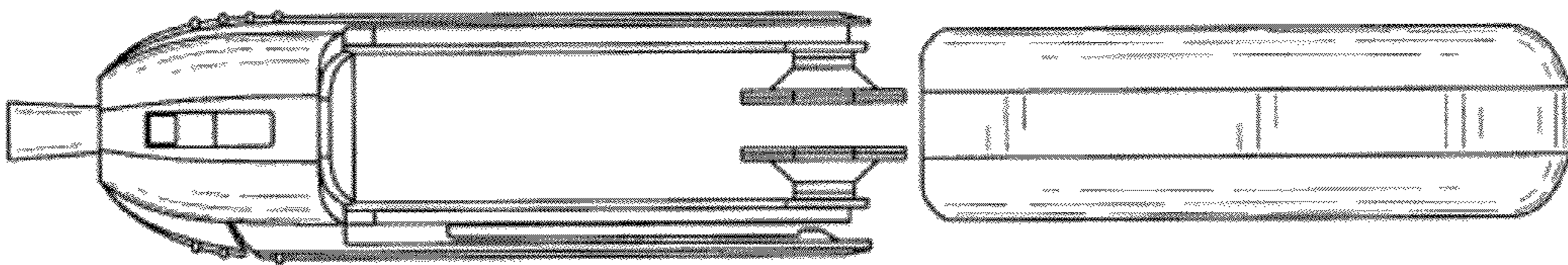


FIG. 11

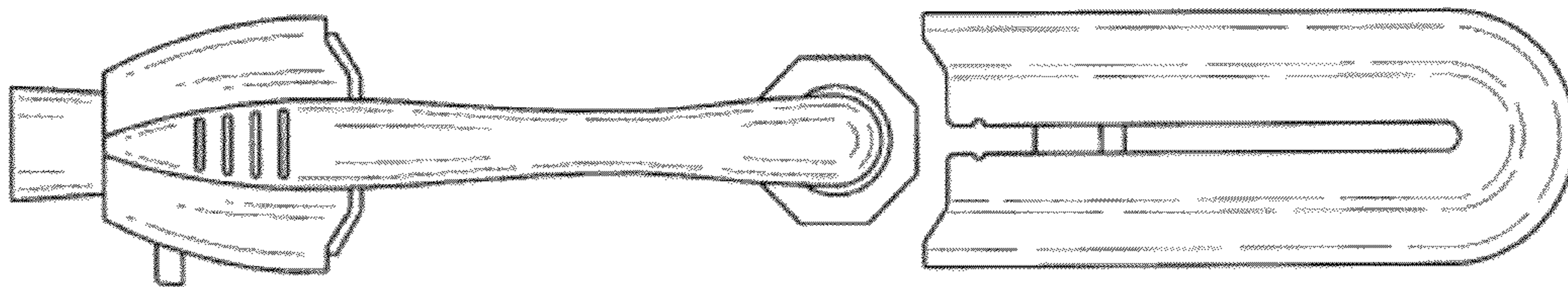


FIG. 12