



US00D673767S

(12) **United States Design Patent**
O'Donohue et al.

(10) **Patent No.:** **US D673,767 S**
(45) **Date of Patent:** **** Jan. 8, 2013**

(54) **CRUTCH STAND**

(75) Inventors: **Beau O'Donohue**, Ballarat (AU);
Haydn James Gunstone, Epping (AU)

(73) Assignee: **Go Forwards Co Pty Ltd.**, Lake
Wendouree Vic (AU)

(**) Term: **14 Years**

(21) Appl. No.: **29/394,870**

(22) Filed: **Jun. 22, 2011**

(30) **Foreign Application Priority Data**

Dec. 22, 2010 (AU) 201015720

(51) **LOC (9) Cl.** **03-03**

(52) **U.S. Cl.** **D3/10**

(58) **Field of Classification Search** D3/5-17;
D12/128-133; 135/65-70, 912; D24/155,
D24/188, 190; 623/32; 248/519

See application file for complete search history.

(56) **References Cited**

U.S. PATENT DOCUMENTS

2,159,115 A * 5/1939 Vogel, Jr. 431/296
D131,623 S * 3/1942 Tackaberry D6/462

D326,969	S	*	6/1992	Eason et al.	D6/455
D347,532	S	*	6/1994	Doran	D6/412
5,639,055	A	*	6/1997	Fritz	248/519
6,446,930	B1	*	9/2002	Li	248/519
D485,055	S	*	1/2004	Taylor	D3/10
6,820,854	B2	*	11/2004	Oetiker et al.	248/529
D518,948	S	*	4/2006	Calkins et al.	D3/10
D522,232	S	*	6/2006	Karasin et al.	D3/10
D573,786	S	*	7/2008	Smith et al.	D3/10
7,641,165	B2	*	1/2010	Li	248/519
2003/0146362	A1	*	8/2003	Oetiker et al.	248/346.03
2005/0199774	A1	*	9/2005	Reese	248/529

* cited by examiner

Primary Examiner — John Windmuller

(74) *Attorney, Agent, or Firm* — Young & Thompson

(57) **CLAIM**

The ornamental design for a crutch stand, as shown.

DESCRIPTION

FIG. 1 is a top perspective view of the design for the crutch stand;

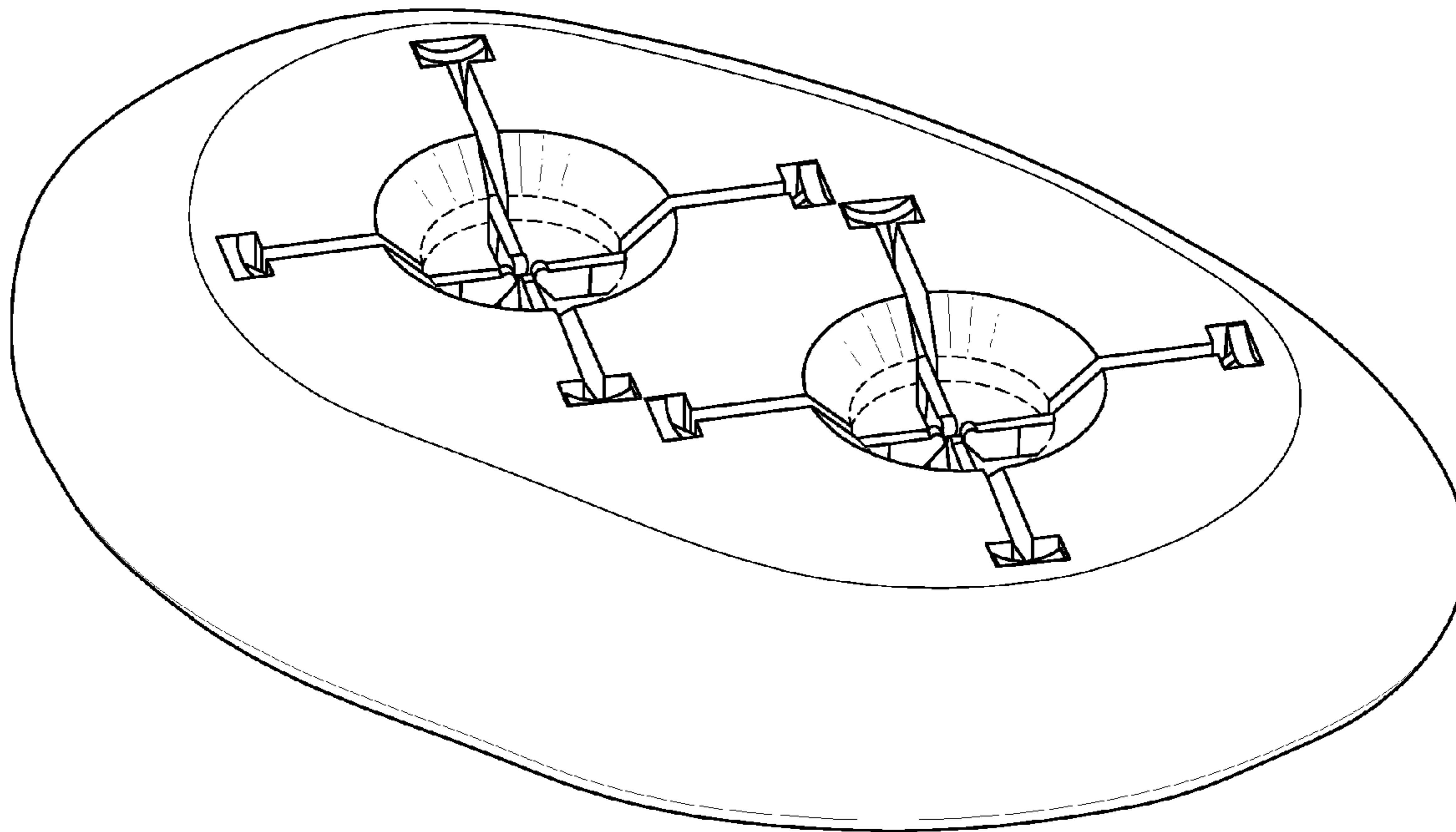
FIG. 2 is a front elevation view thereof;

FIG. 3 is a top plan view thereof; and,

FIG. 4 is a side elevation view thereof.

The portions of the Figures shown in broken lines are included for illustrative purpose only and form no part of the claimed design.

1 Claim, 2 Drawing Sheets



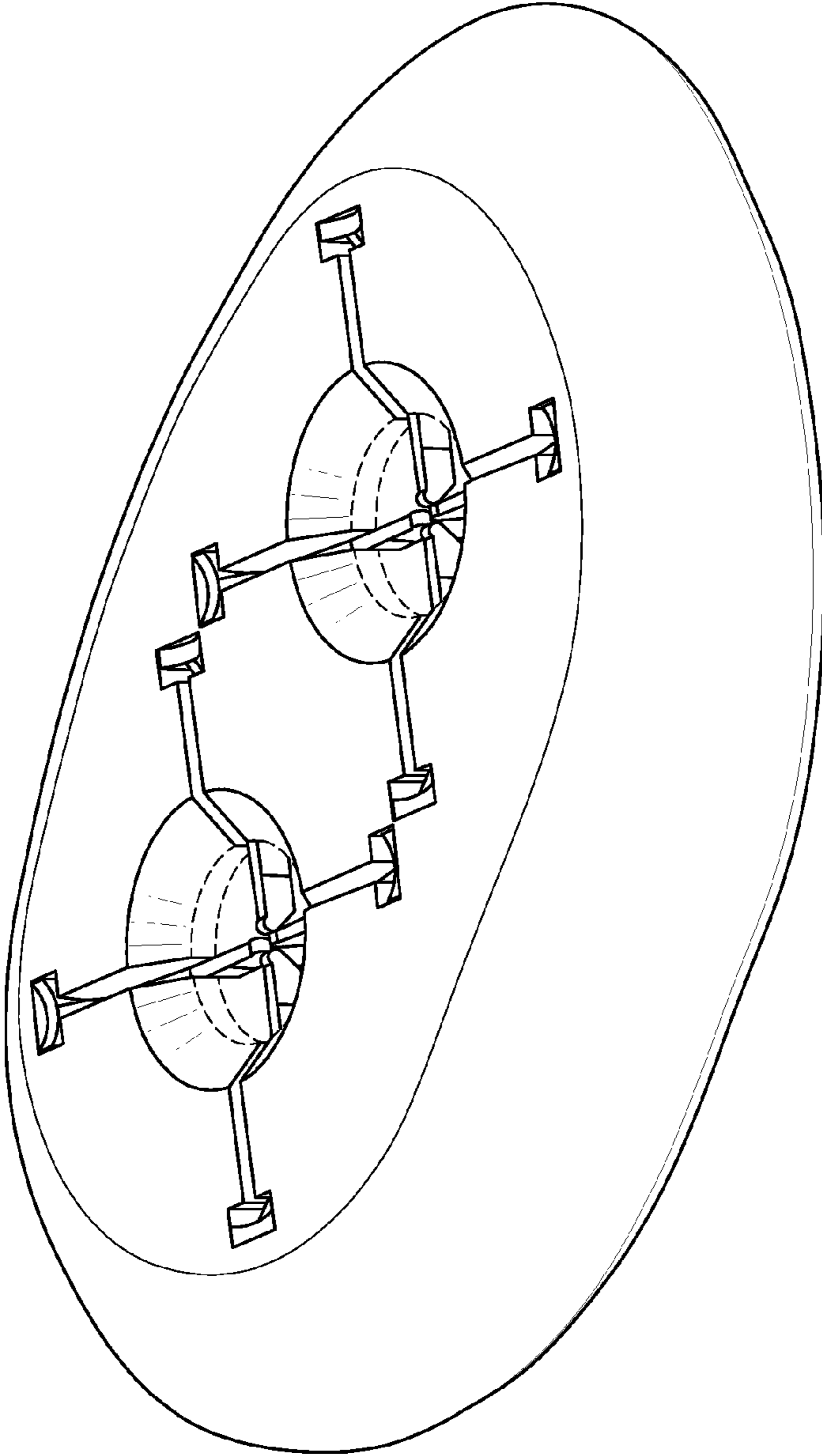


FIG. 1

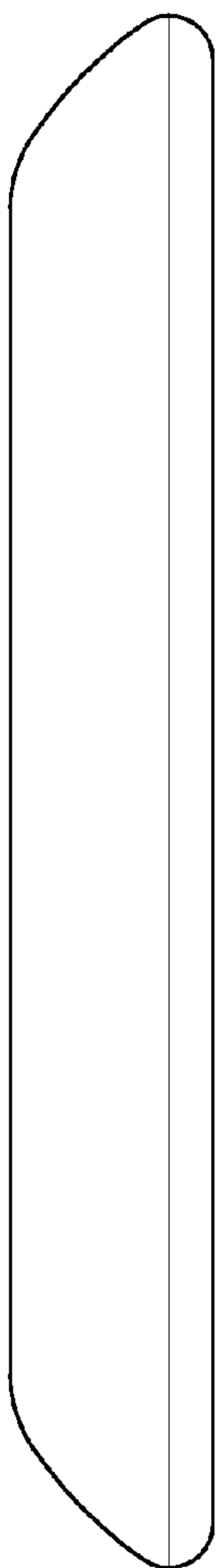


FIG. 2

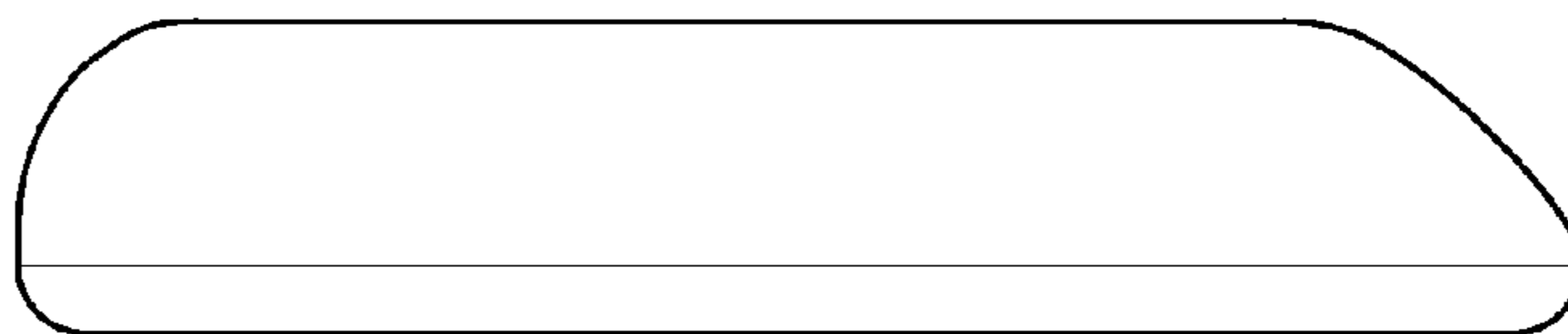


FIG. 4

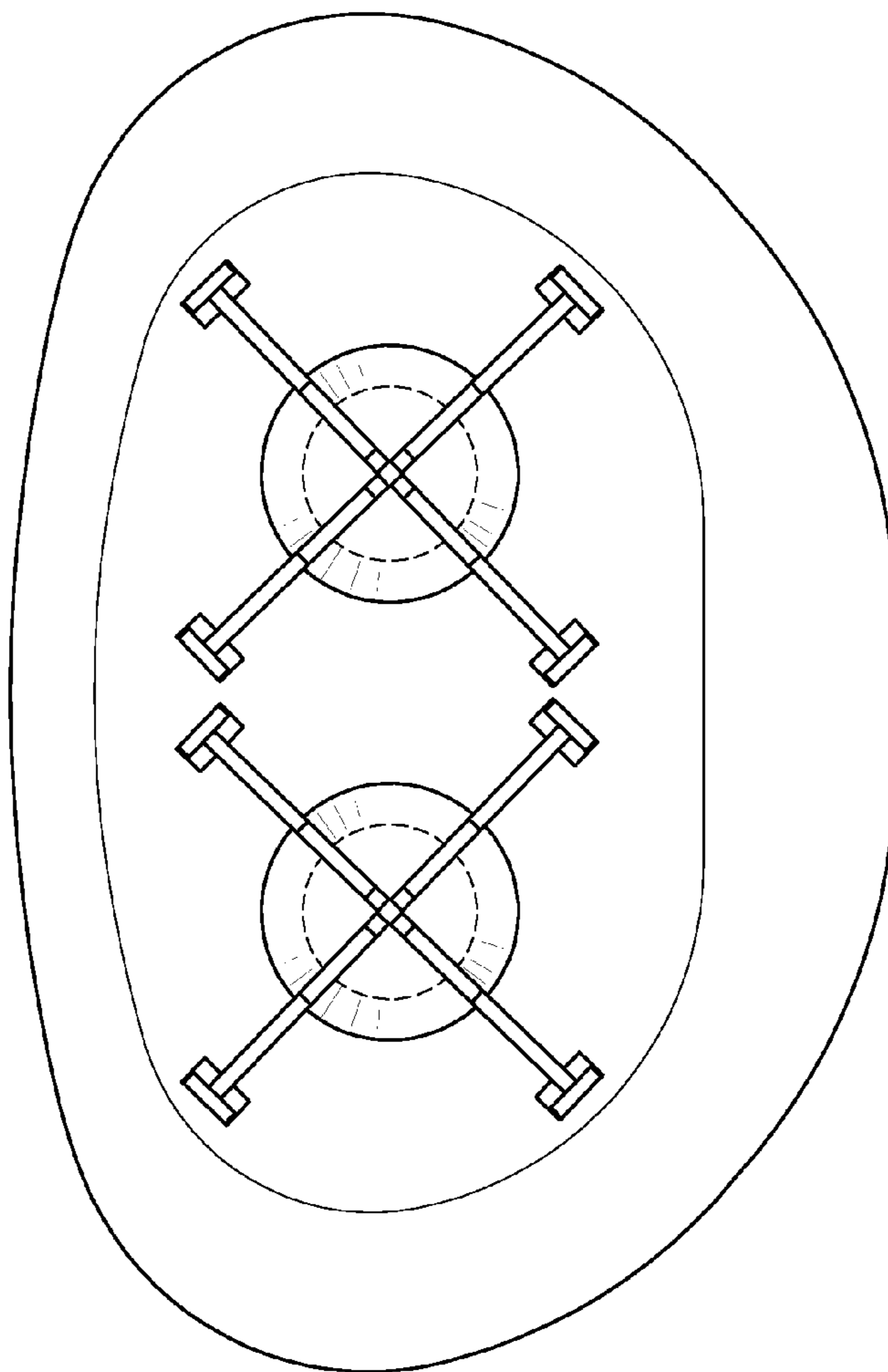


FIG. 3