



US00D673754S

(12) **United States Design Patent**  
**MacDonald et al.**

(10) **Patent No.:** **US D673,754 S**

(45) **Date of Patent:** **\*\* \*Jan. 1, 2013**

(54) **SHIPPING PALLET**

(75) Inventors: **Richard MacDonald**, King (CA); **John Psihos**, Richmond Hill (CA); **Matthew Didio**, Detroit, MI (US); **Marc Topacio**, Troy, MI (US)

(73) Assignee: **Axios Mobile Assets**, Ontario (CA)

(\*) Notice: This patent is subject to a terminal disclaimer.

(\*\*) Term: **14 Years**

(21) Appl. No.: **29/398,898**

(22) Filed: **Aug. 5, 2011**

(51) **LOC (9) Cl.** ..... **09-08**

(52) **U.S. Cl.** ..... **D34/38**

(58) **Field of Classification Search** ..... D34/38;  
108/51.11, 56.1, 56.3, 53.1, 52.1, 53, 1, 53.3,  
108/901, 902

See application file for complete search history.

(56) **References Cited**

**U.S. PATENT DOCUMENTS**

D364,030 S \* 11/1995 Pigott et al. .... D34/38  
D373,889 S \* 9/1996 Weber ..... D34/38

D410,786 S \* 6/1999 Favaron et al. .... D34/38  
6,006,677 A \* 12/1999 Apps et al. .... 108/57.25  
6,955,128 B2 \* 10/2005 Apps ..... 108/57.25  
D544,175 S \* 6/2007 Valentinsson ..... D34/38  
D557,475 S \* 12/2007 Kruger ..... D34/38  
D584,874 S \* 1/2009 Sasnowski ..... D34/38  
D650,546 S \* 12/2011 MacDonald et al. .... D34/38  
2008/0017081 A1 \* 1/2008 Baltz ..... 108/56.1

\* cited by examiner

*Primary Examiner* — Cynthia Ramirez

(74) *Attorney, Agent, or Firm* — Tarolli, Sundheim, Covell & Tummino LLP

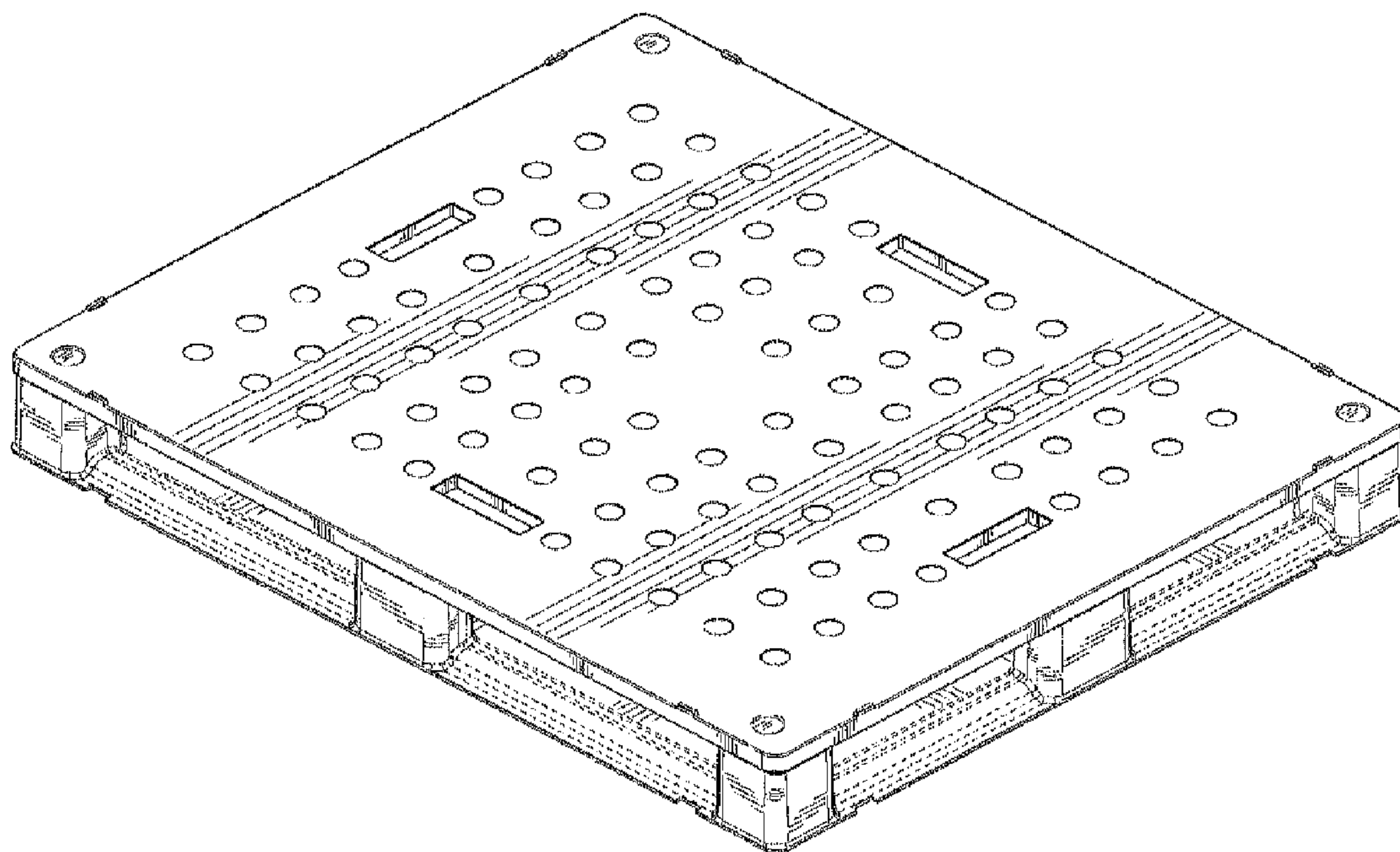
(57) **CLAIM**

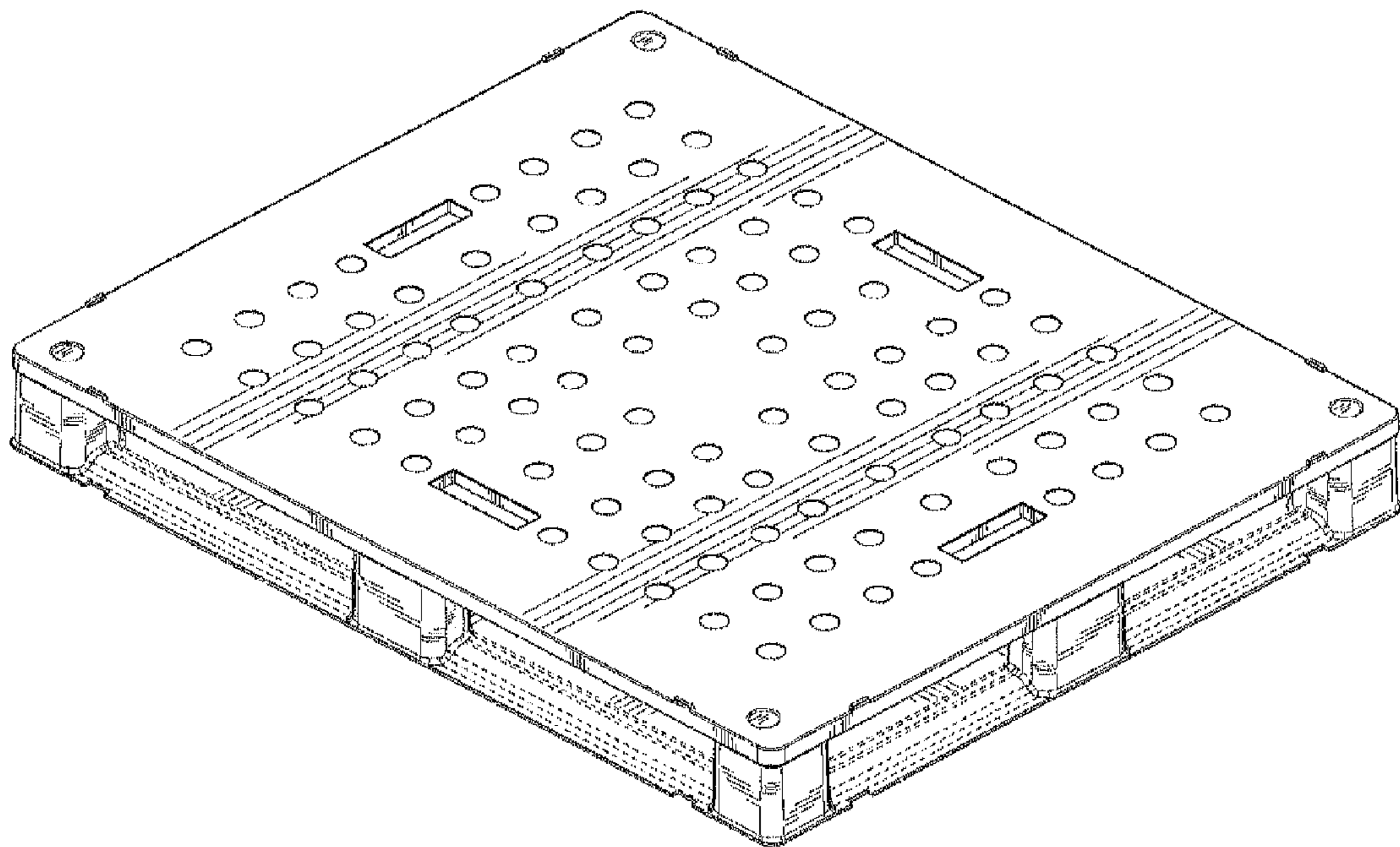
The ornamental design for a shipping pallet, as shown and described.

**DESCRIPTION**

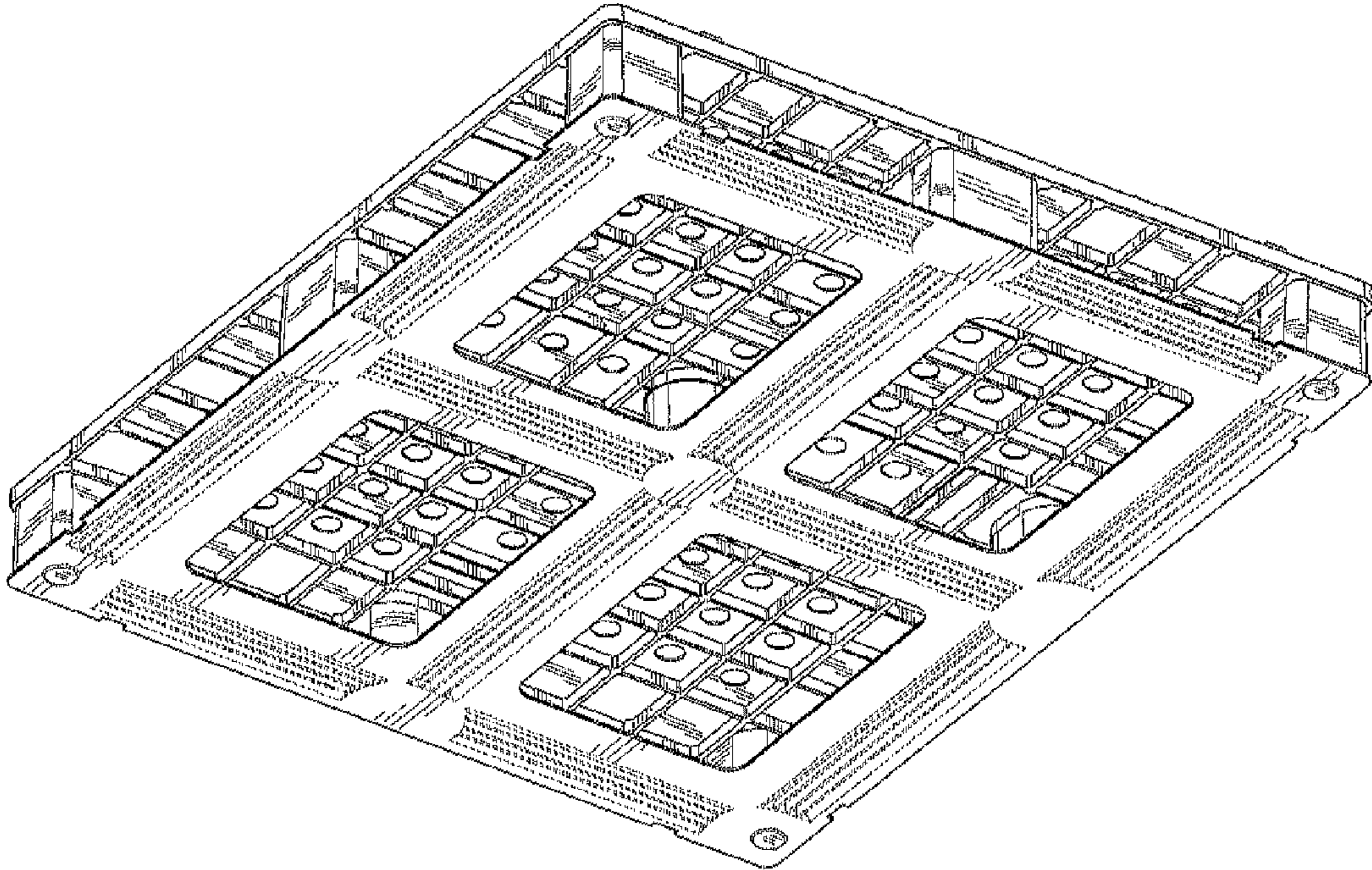
FIG. 1 is an isometric view of a shipping pallet from above, showing our new design;  
FIG. 2 is an isometric view of the pallet from below;  
FIG. 3 is a left side elevation view;  
FIG. 4 is an upper side elevation view;  
FIG. 5 is a right side elevation view;  
FIG. 6 is a lower side elevation view;  
FIG. 7 is a top plan view; and,  
FIG. 8 is a bottom plan view.

**1 Claim, 5 Drawing Sheets**

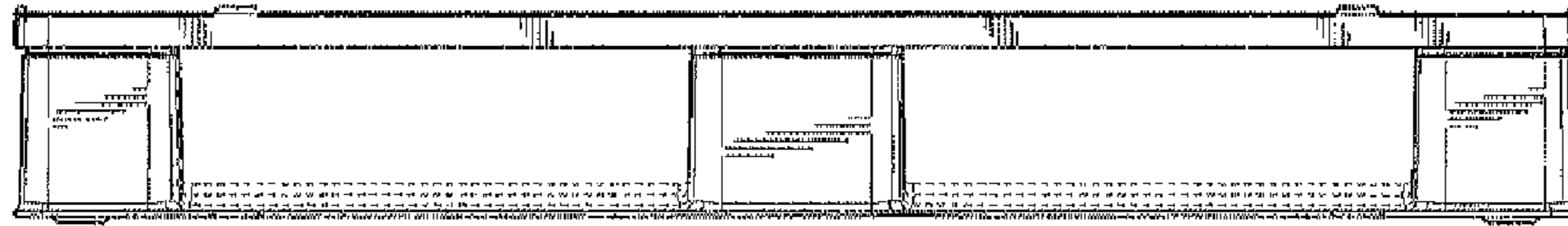




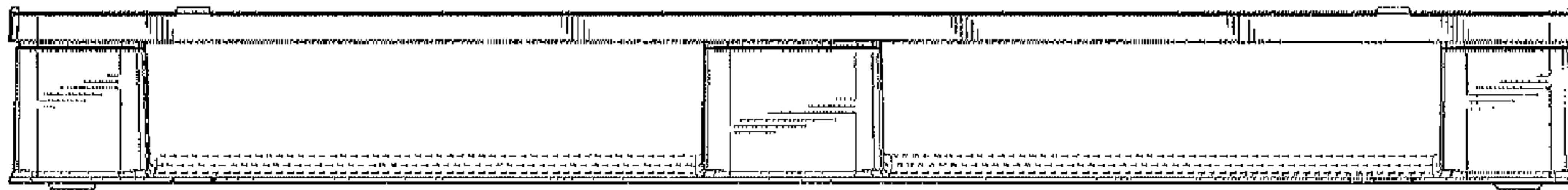
**FIG. 1**



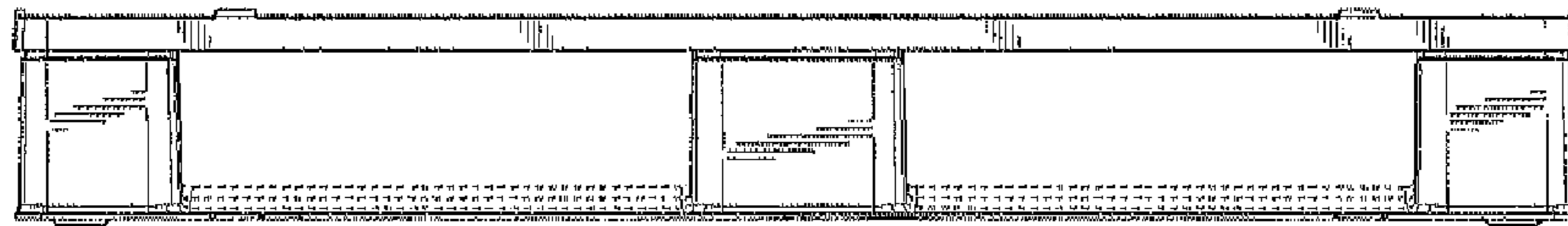
**FIG. 2**



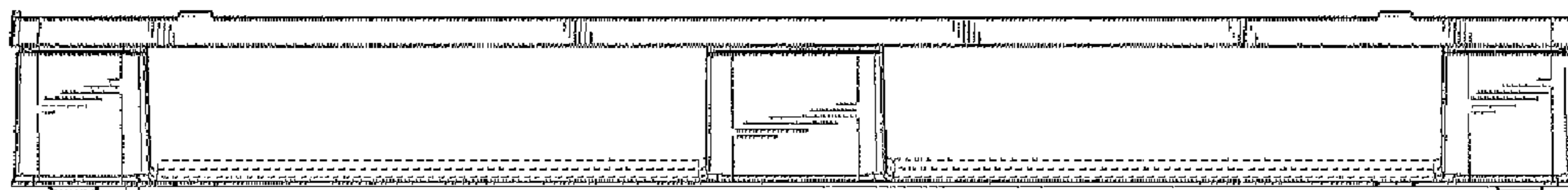
**FIG. 3**



**FIG. 4**



**FIG. 5**



**FIG. 6**

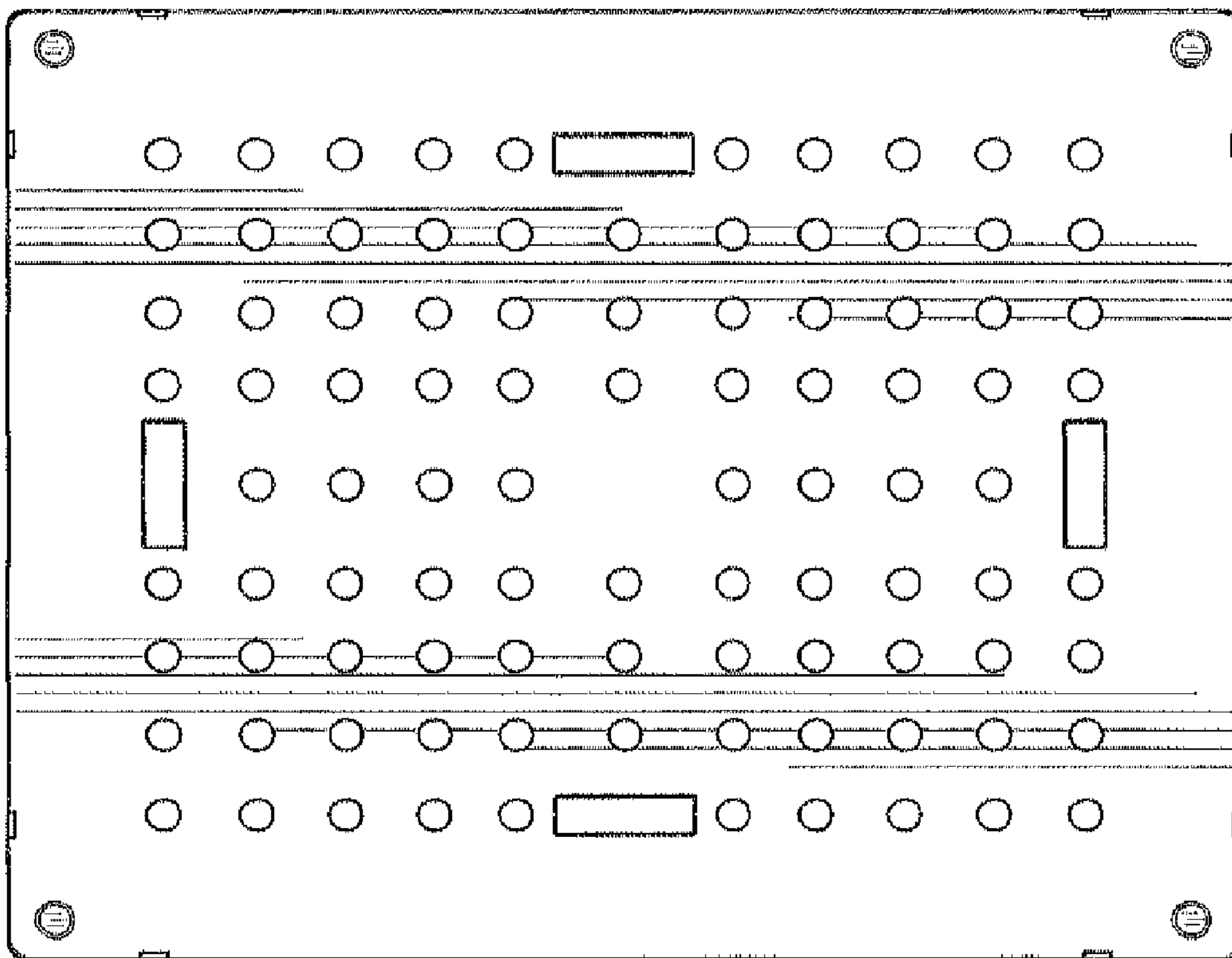
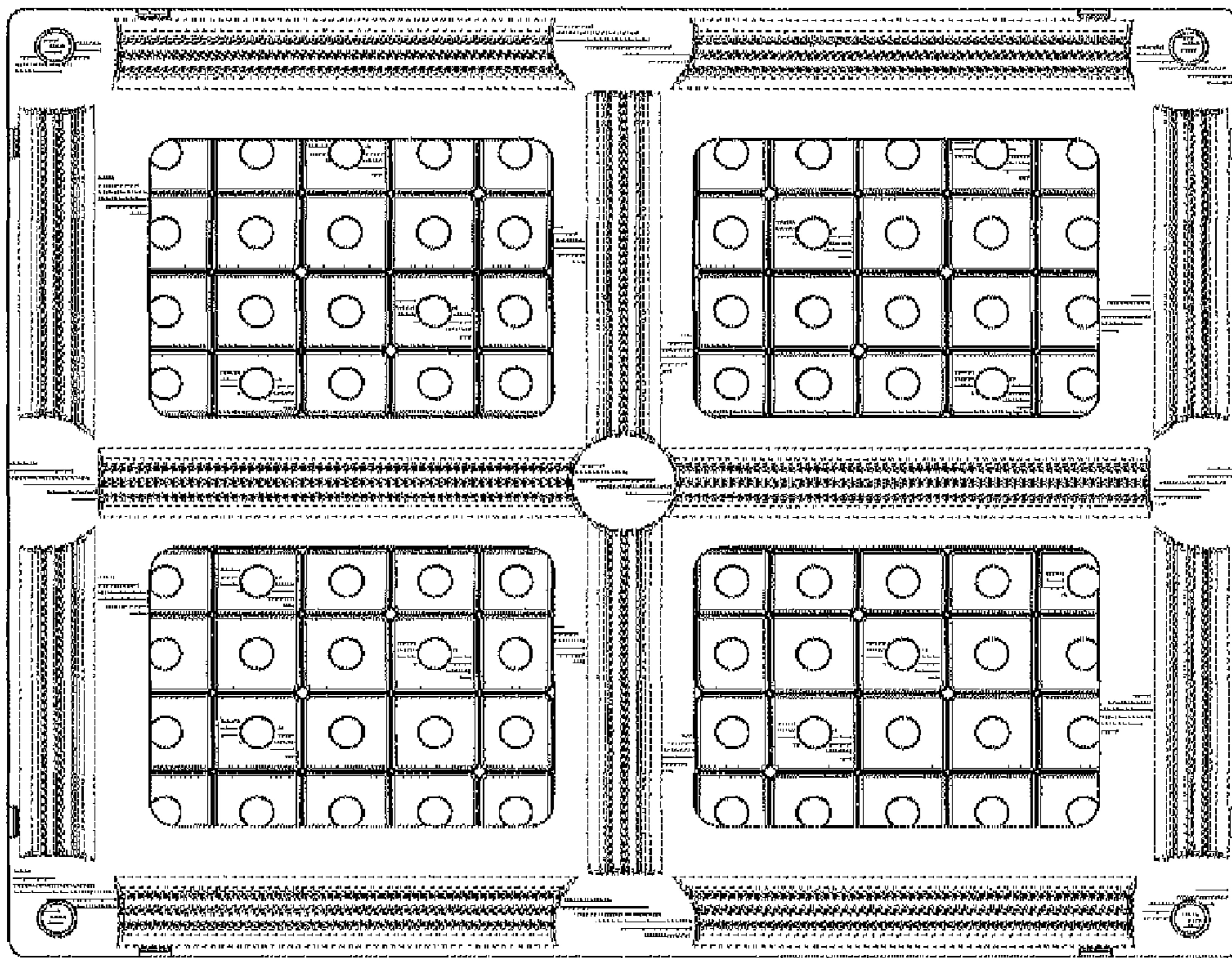


FIG. 7



**FIG. 8**