



US00D673752S

(12) **United States Design Patent**
Marshall

(10) **Patent No.:** **US D673,752 S**

(45) **Date of Patent:** **** Jan. 1, 2013**

(54) **POOL SERVICE CART**

(76) **Inventor:** **Michael Crittenden Marshall,**
Fallbrook, CA (US)

(**) **Term:** **14 Years**

(21) **Appl. No.:** **29/411,417**

(22) **Filed:** **Jan. 20, 2012**

(51) **LOC (9) Cl.** **12-02**

(52) **U.S. Cl.** **D34/21**

(58) **Field of Classification Search** D34/12-27;
280/47.18, 47.19, 47.24, 47.27, 47.28, 47.34,
280/654, 655, 47.29, 655.1
See application file for complete search history.

7,438,084	B2 *	10/2008	Trettin et al.	137/355.16
D581,123	S *	11/2008	Henderson	D34/12
D632,041	S *	2/2011	Hittle et al.	D34/18
D632,042	S *	2/2011	Hittle et al.	D34/18
D632,448	S *	2/2011	Simko et al.	D34/12
D633,682	S *	3/2011	Schmid	D34/26
D638,190	S *	5/2011	Spann	D34/14
D640,029	S *	6/2011	Barnes et al.	D34/18

* cited by examiner

Primary Examiner — Cynthia Ramirez

(74) *Attorney, Agent, or Firm* — Loyal McKinley Hanson

(57) **CLAIM**

I claim the ornamental design for a pool service cart, as shown and described.

DESCRIPTION

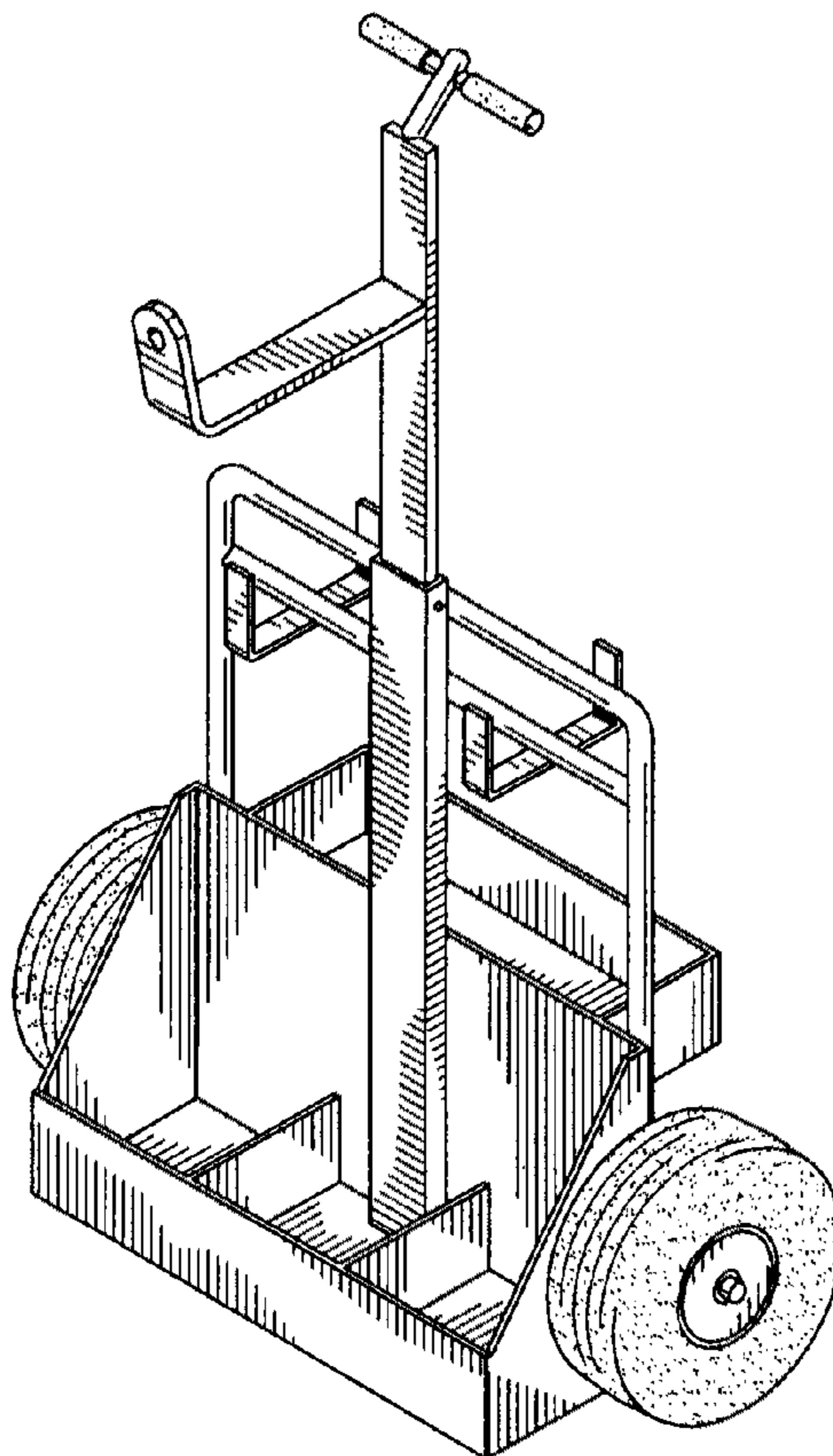
FIG. 1 of the drawings is a perspective view showing the front, left side, and top of a pool service cart embodying the design of my invention;
FIG. 2 is a front elevation view of the pool service cart;
FIG. 3 is a left side elevation view;
FIG. 4 is a top plan view;
FIG. 5 is a right side elevation view;
FIG. 6 is a back elevation view; and,
FIG. 7 is a bottom view.

1 Claim, 3 Drawing Sheets

(56) **References Cited**

U.S. PATENT DOCUMENTS

D185,239	S *	5/1959	Rutkowski	D34/24
D321,964	S *	11/1991	Alterbaum	D34/15
5,772,193	A *	6/1998	Dykstra	269/228
D396,924	S *	8/1998	Cardenas	D34/24
5,873,500	A *	2/1999	Homburg et al.	222/608
5,904,349	A *	5/1999	Dykstra	269/228
6,116,623	A *	9/2000	Salvucci	280/47.26
6,119,475	A *	9/2000	Murray et al.	62/292
D447,847	S *	9/2001	Shyshka et al.	D34/21
7,273,216	B1 *	9/2007	Hohrman	280/79.5
7,384,050	B2 *	6/2008	Blum et al.	280/47.26



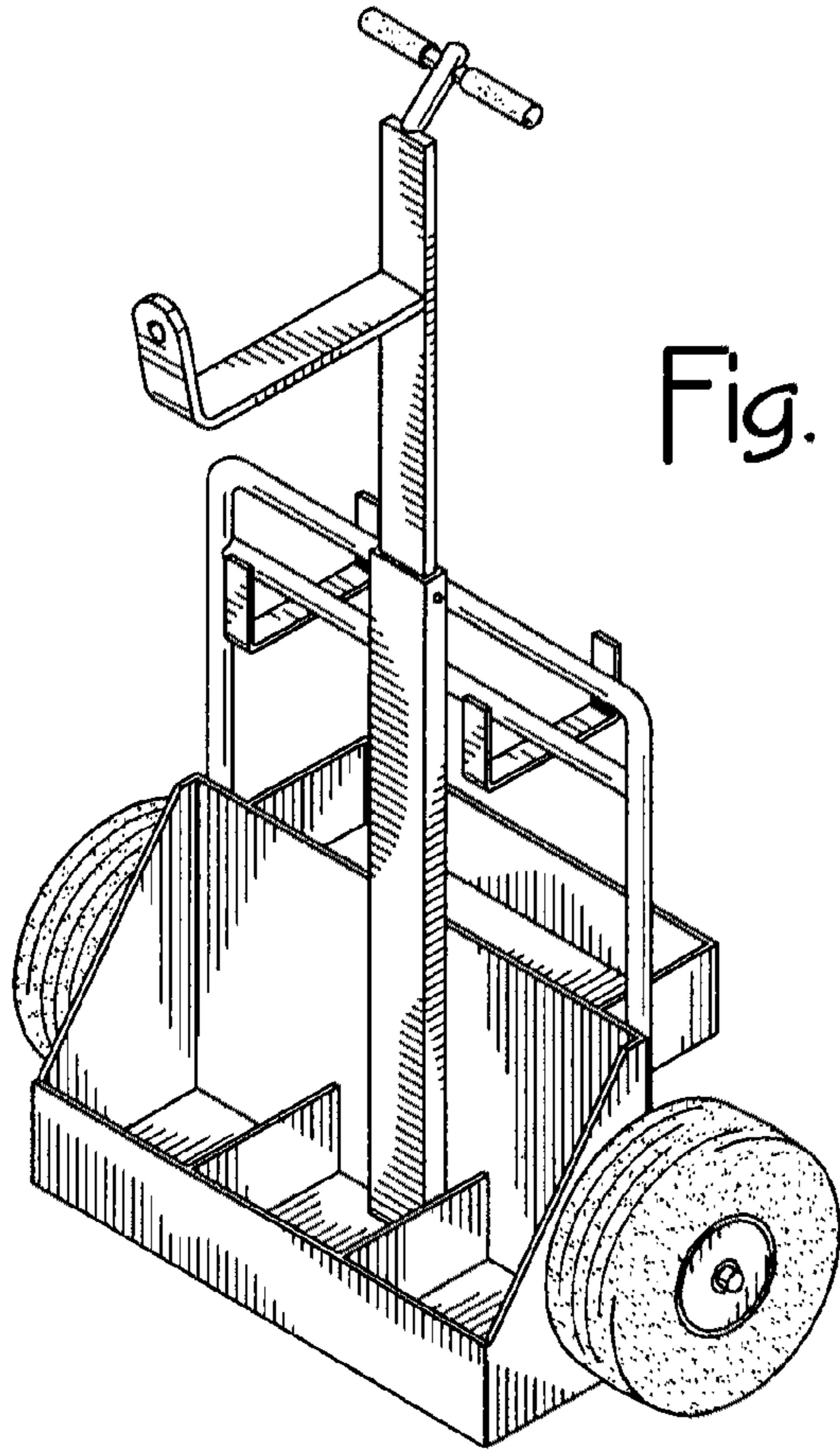


Fig. 1

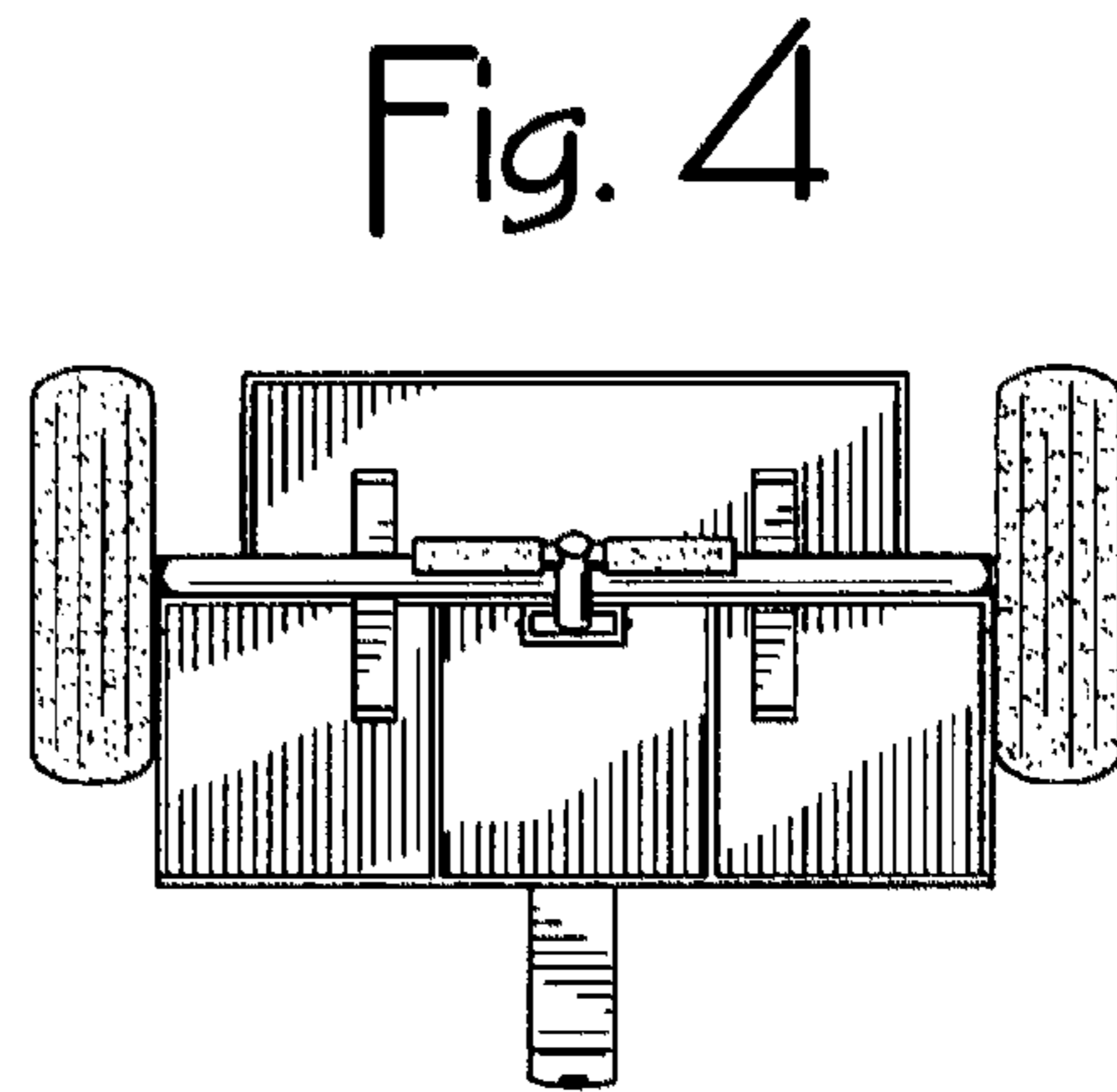


Fig. 4

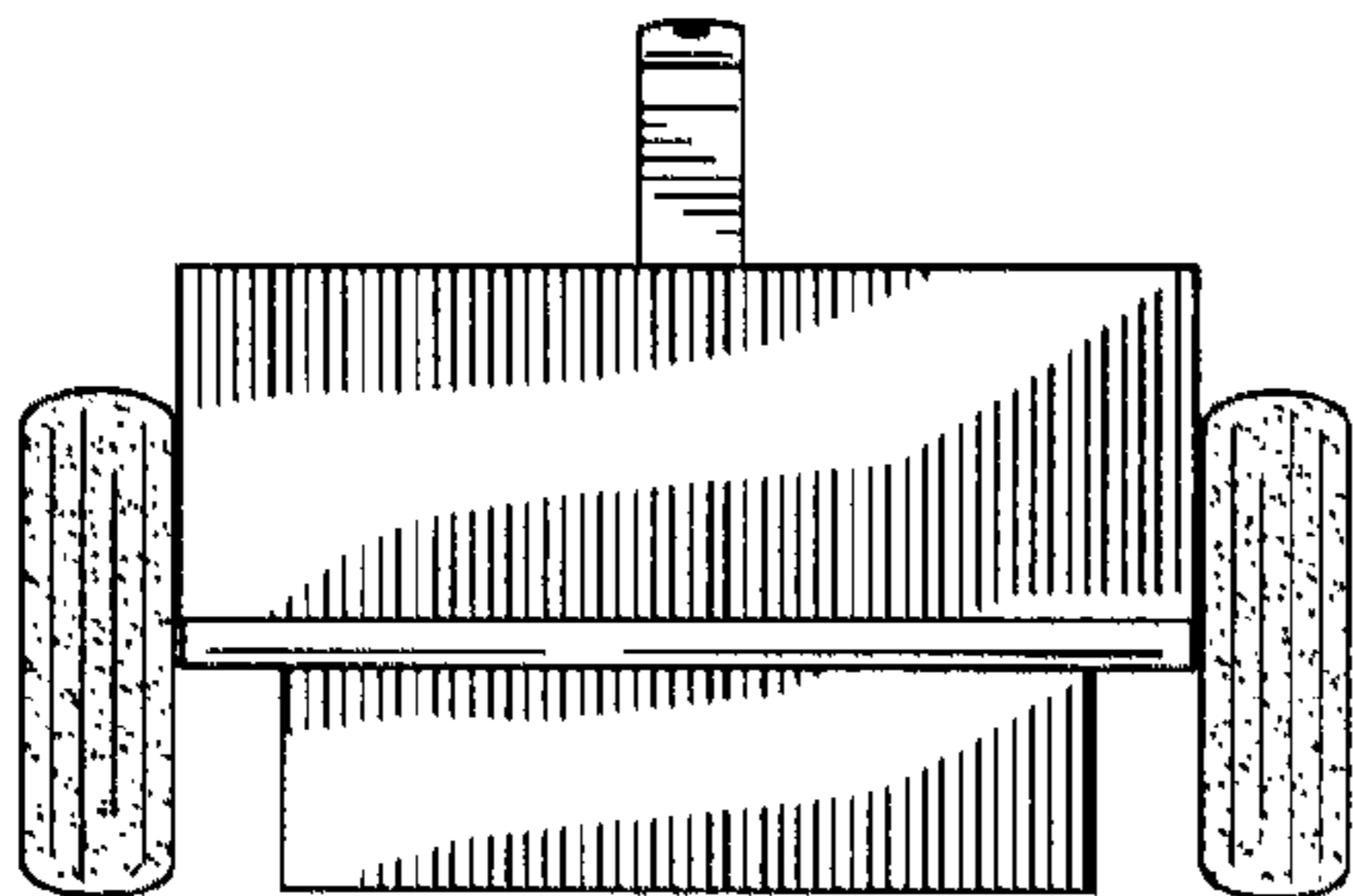


Fig. 7

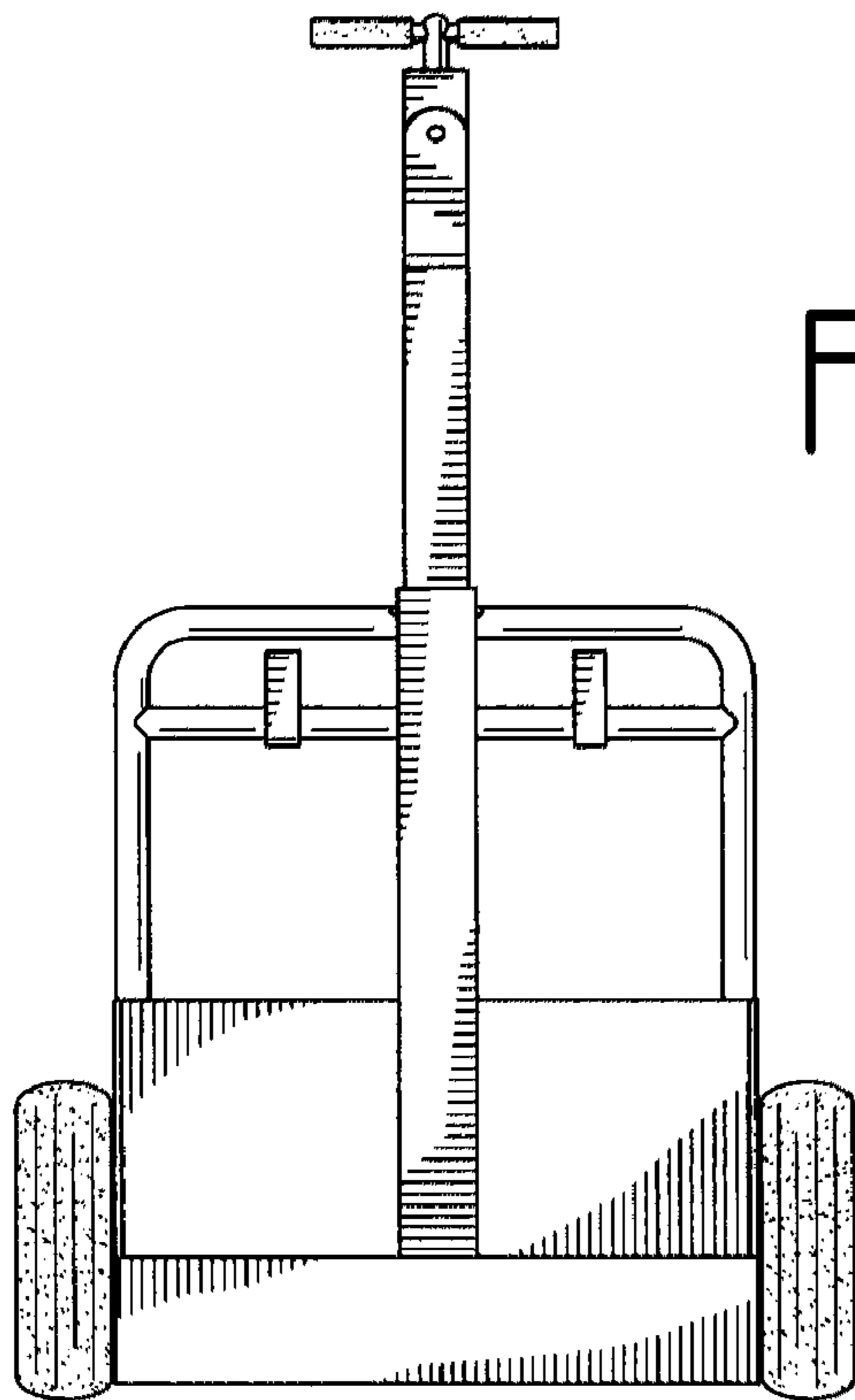


Fig. 2

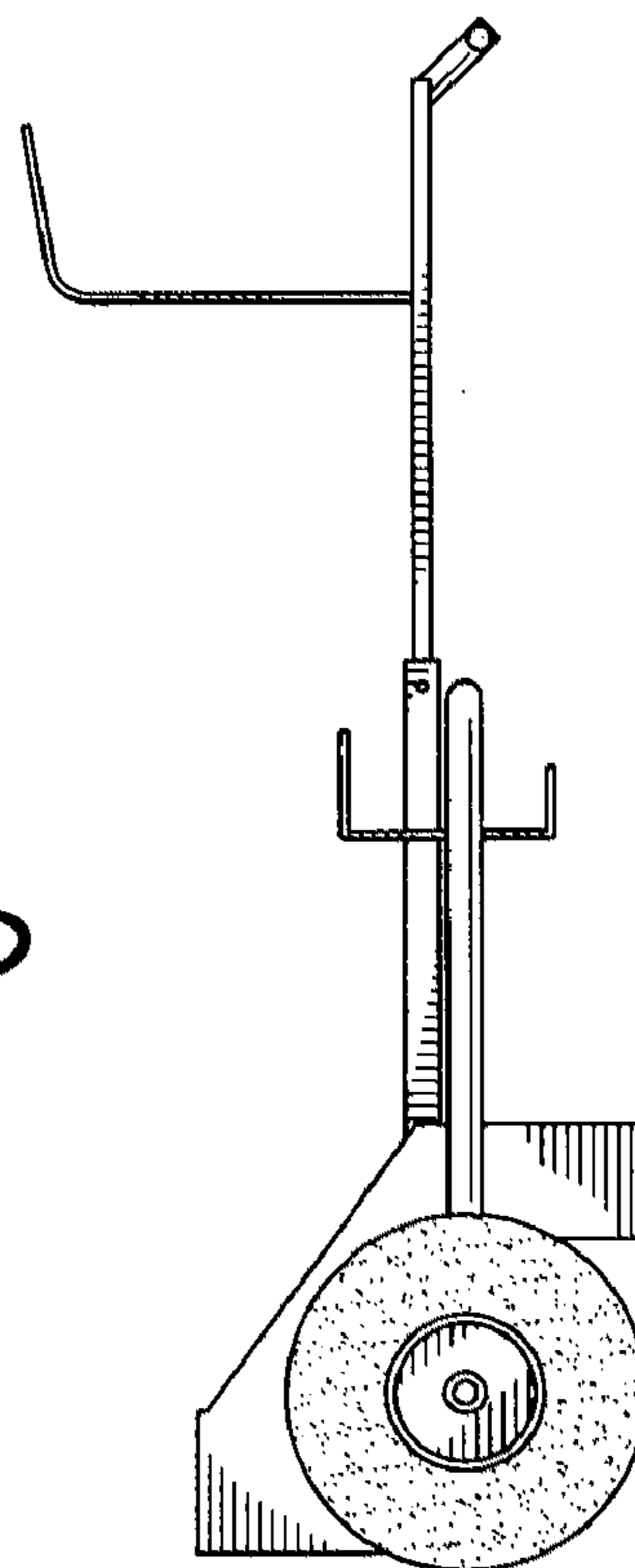


Fig. 3

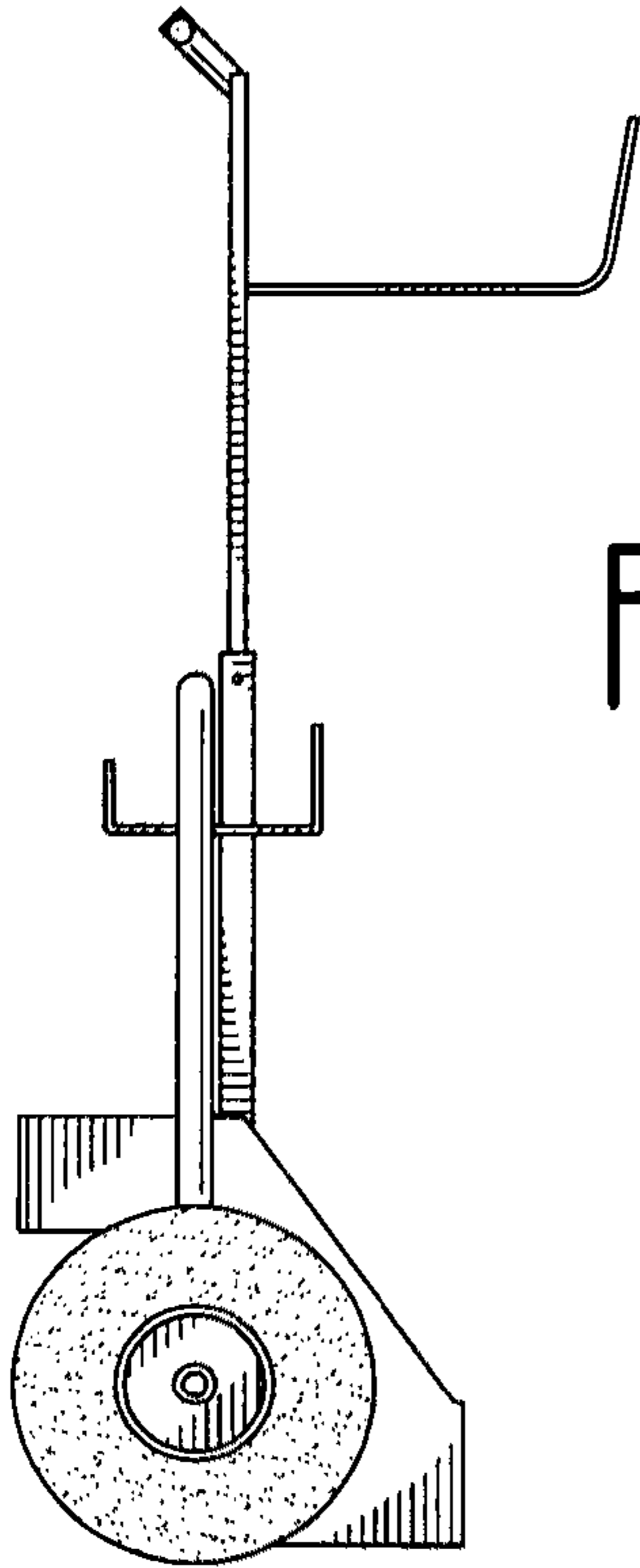


Fig. 5

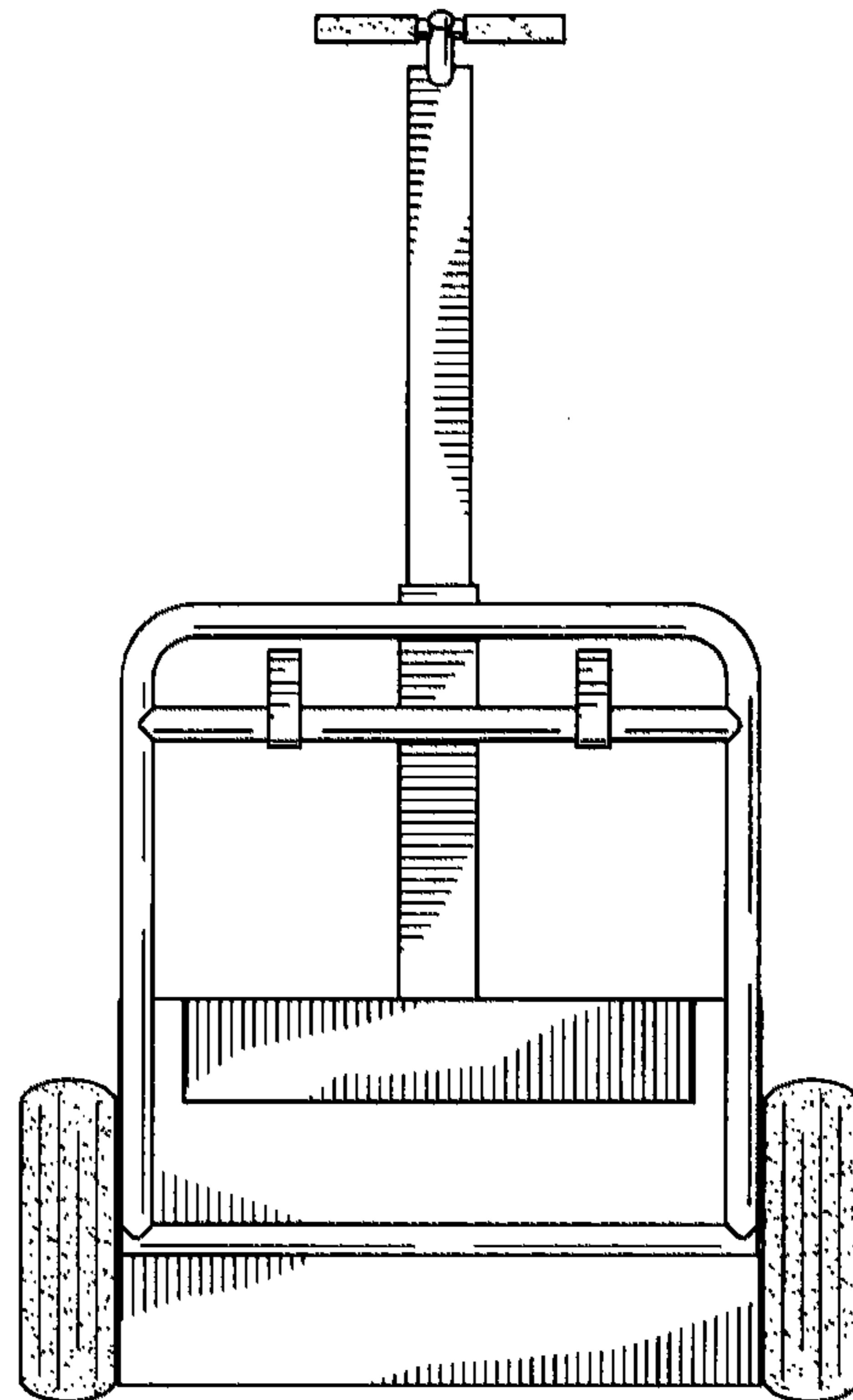


Fig. 6