



US00D673751S

(12) **United States Design Patent**  
**Freimuth et al.**

(10) **Patent No.:** **US D673,751 S**  
(45) **Date of Patent:** **\*\* Jan. 1, 2013**

(54) **PRESS BRAKE CART**

(75) Inventors: **Edward K. Freimuth**, Palos Heights, IL (US); **Jeffery K. Hartmann**, Homer Glen, IL (US)

(73) Assignee: **Versatility Tool Works and Manufacturing Company**, Alsip, IL (US)

(\*\*) Term: **14 Years**

(21) Appl. No.: **29/406,820**

(22) Filed: **Nov. 18, 2011**

(51) **LOC (9) Cl.** ..... **12-02**

(52) **U.S. Cl.** ..... **D34/12**

(58) **Field of Classification Search** ..... D34/12-27;  
280/79.11, 79.2, 79.3, 33.991, 47.35, 47.37,  
280/33.998

See application file for complete search history.

(56) **References Cited**

**U.S. PATENT DOCUMENTS**

2,981,549	A *	4/1961	Hotton	.....	280/47.35
D205,523	S *	8/1966	Doman	.....	D34/19
D273,906	S *	5/1984	Norlin	.....	D34/19
D323,051	S *	1/1992	Baggott	.....	D34/19
5,140,973	A *	8/1992	Home	.....	126/41 R
D535,452	S *	1/2007	Lim et al.	.....	D34/19
D546,017	S *	7/2007	Wise	.....	D34/19

D588,849	S *	3/2009	Kalkwarf	.....	D6/510
D591,021	S *	4/2009	Peacock	.....	D34/17
7,950,679	B2 *	5/2011	Claffy	.....	280/47.35
D653,010	S *	1/2012	Shen et al.	.....	D34/19
D653,830	S *	2/2012	Maddux et al.	.....	D34/17

**OTHER PUBLICATIONS**

Product Programme: Apfel Solutions in Metal, Sales Catalog-GR Dec. 2009, p. 19: see item WSW 583 Bending Plus, p. 20: See item WSW 582 Bending and Item WSW 583 Bending Plus. Issued by Apfel Metallverarbeitung GmbH, Gerhart-Hauptmann-Str. 56, D-69221 Dossenheim, Germany www.apfel-gmbh.de.

\* cited by examiner

*Primary Examiner* — Cytניה Ramirez

(74) *Attorney, Agent, or Firm* — Joseph Golant

(57) **CLAIM**

The ornamental design for a press brake cart, as shown and described.

**DESCRIPTION**

FIG. 1 is a perspective view of a press brake cart showing our new design;

FIG. 2 is a side view thereof;

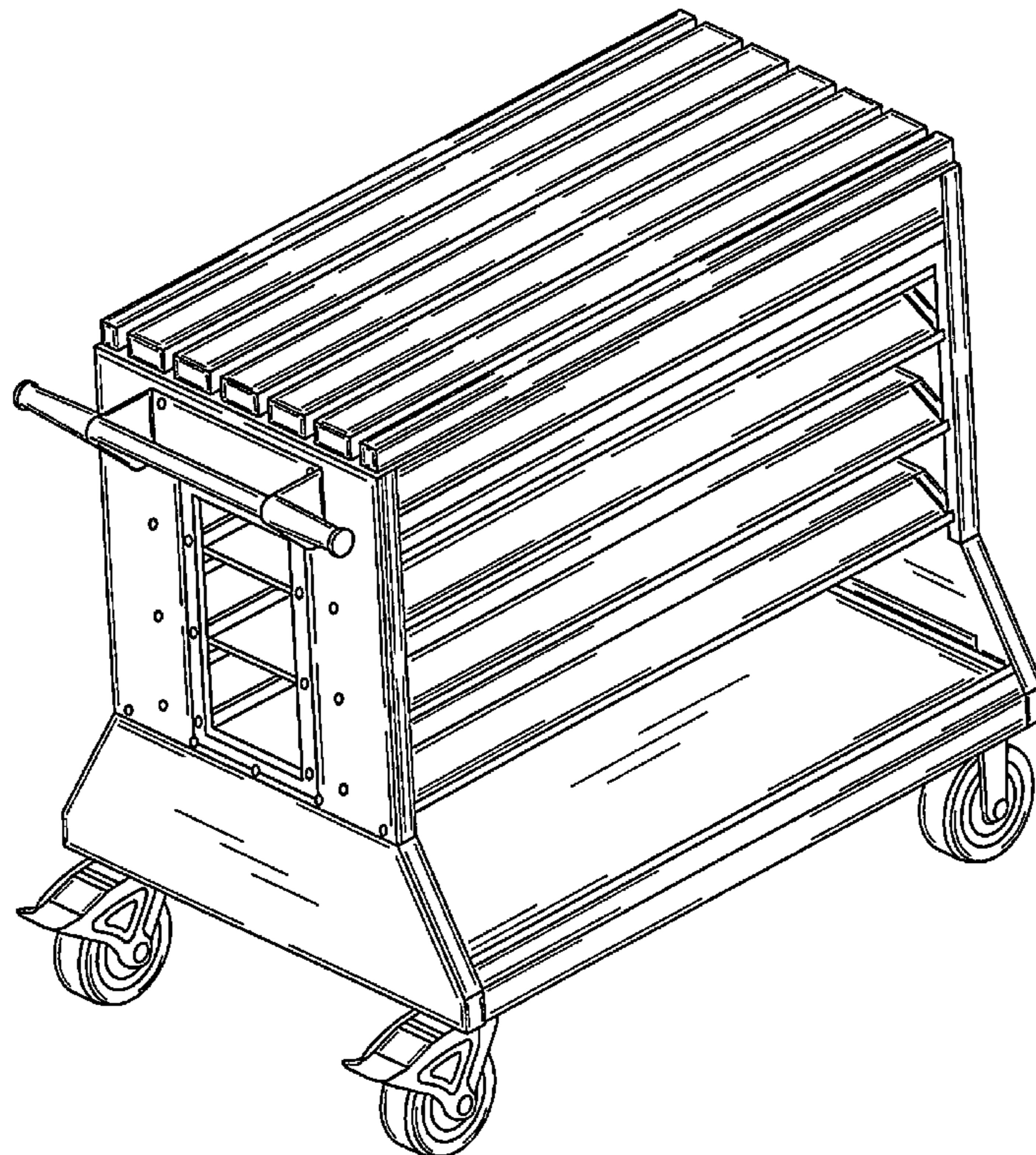
FIG. 3 is the other side view thereof;

FIG. 4 is a front view thereof;

FIG. 5 is a back view thereof; and,

FIG. 6 is a top plan view thereof.

**1 Claim, 4 Drawing Sheets**



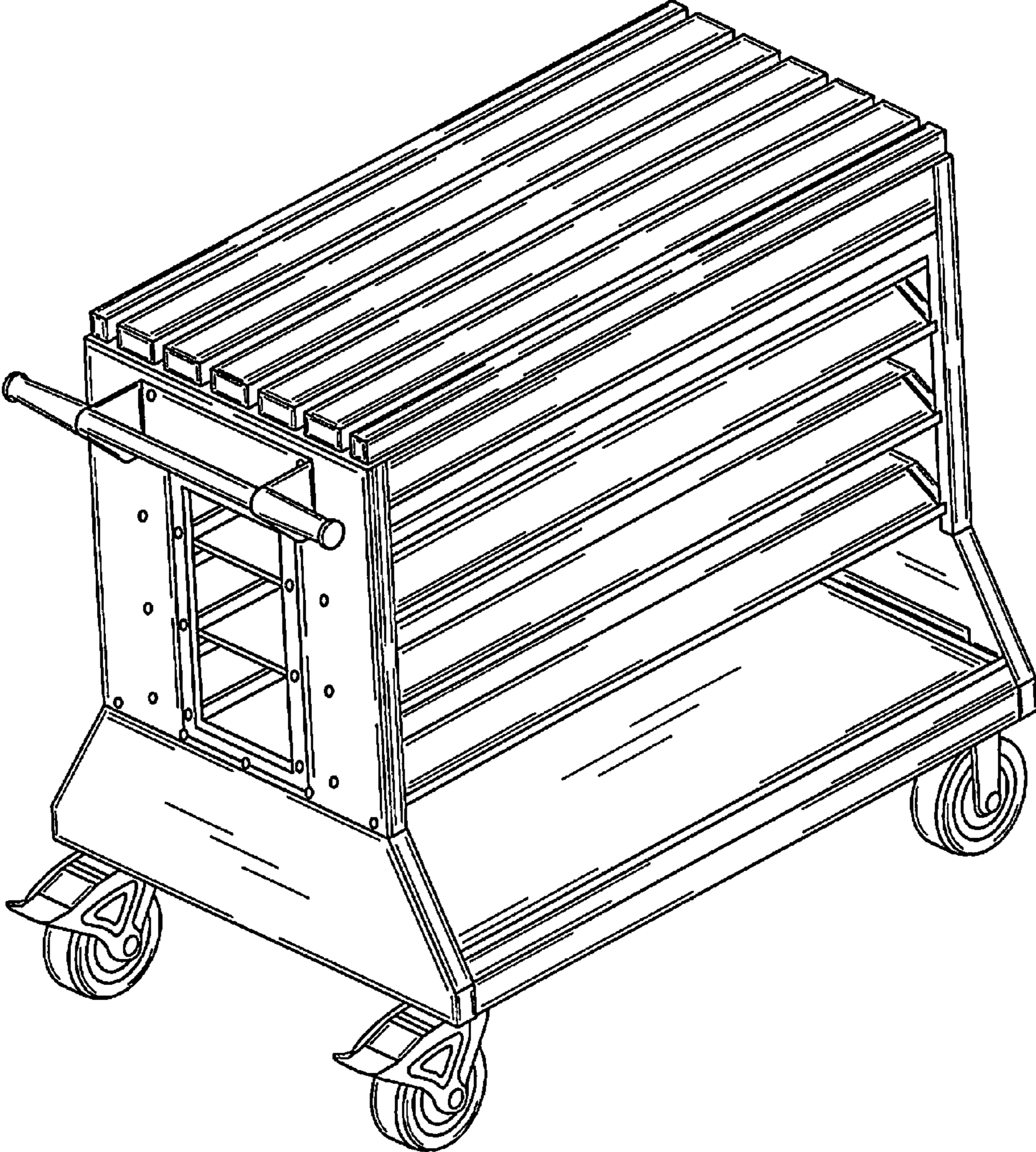


FIG. 1

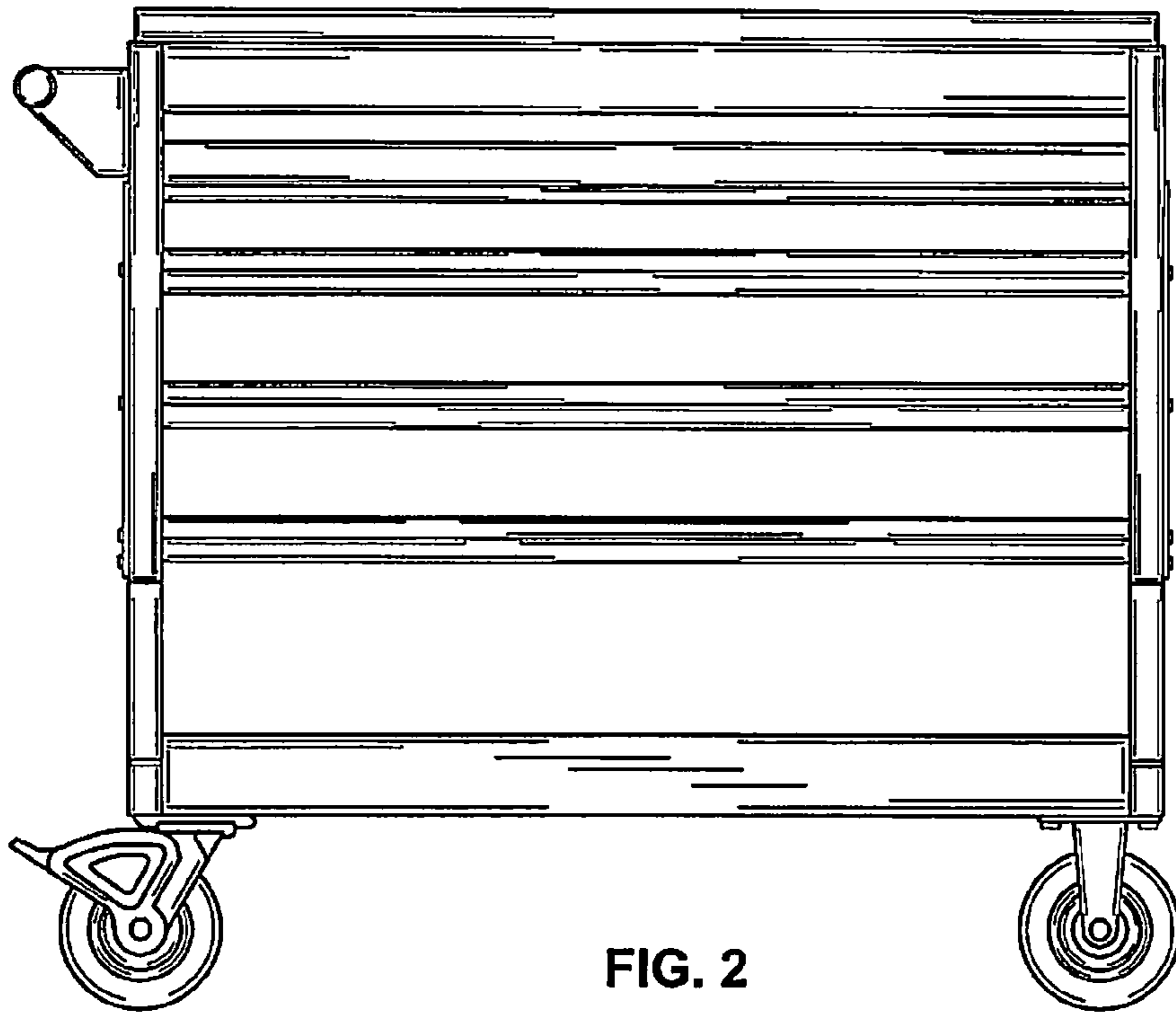


FIG. 2

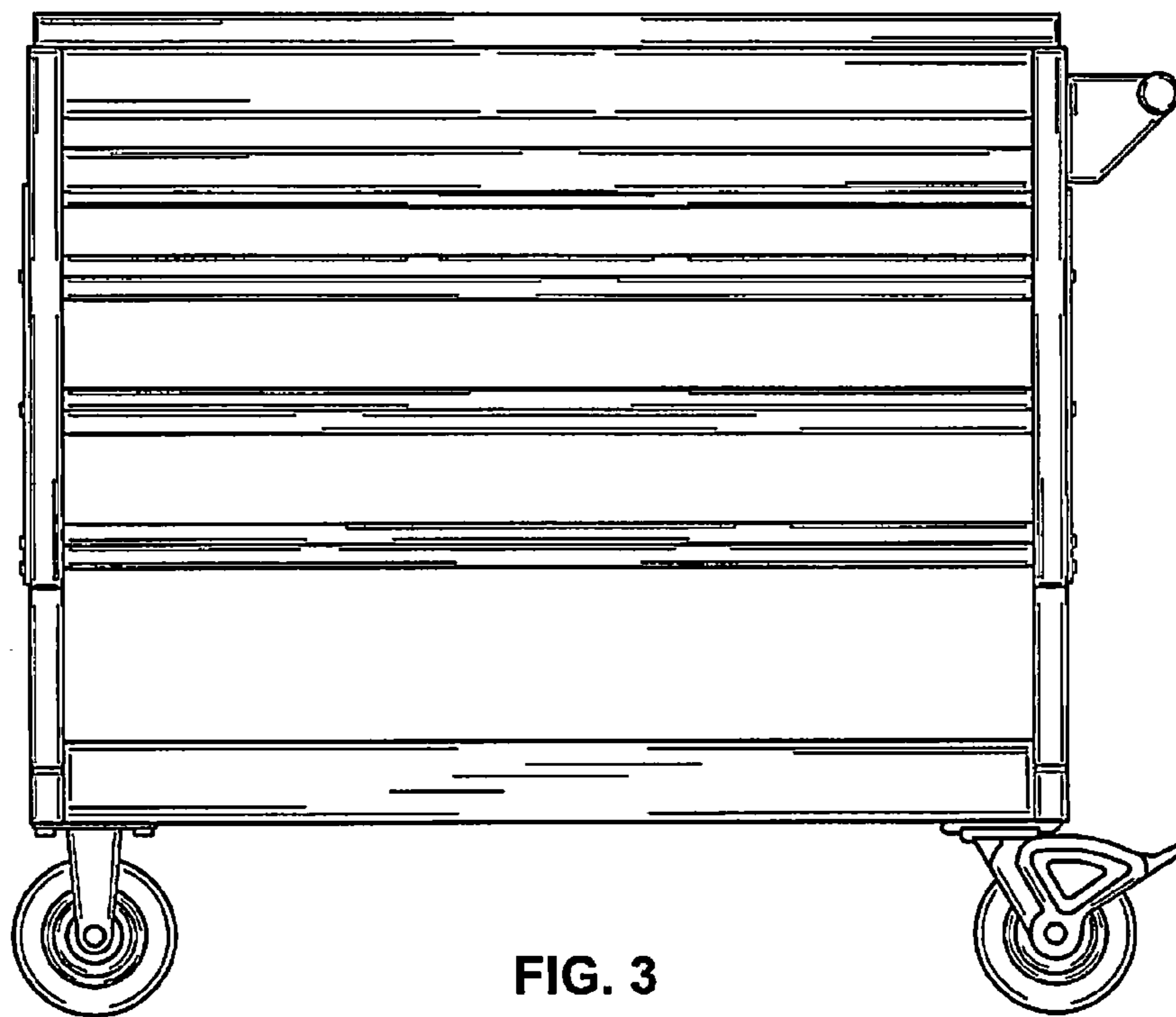


FIG. 3



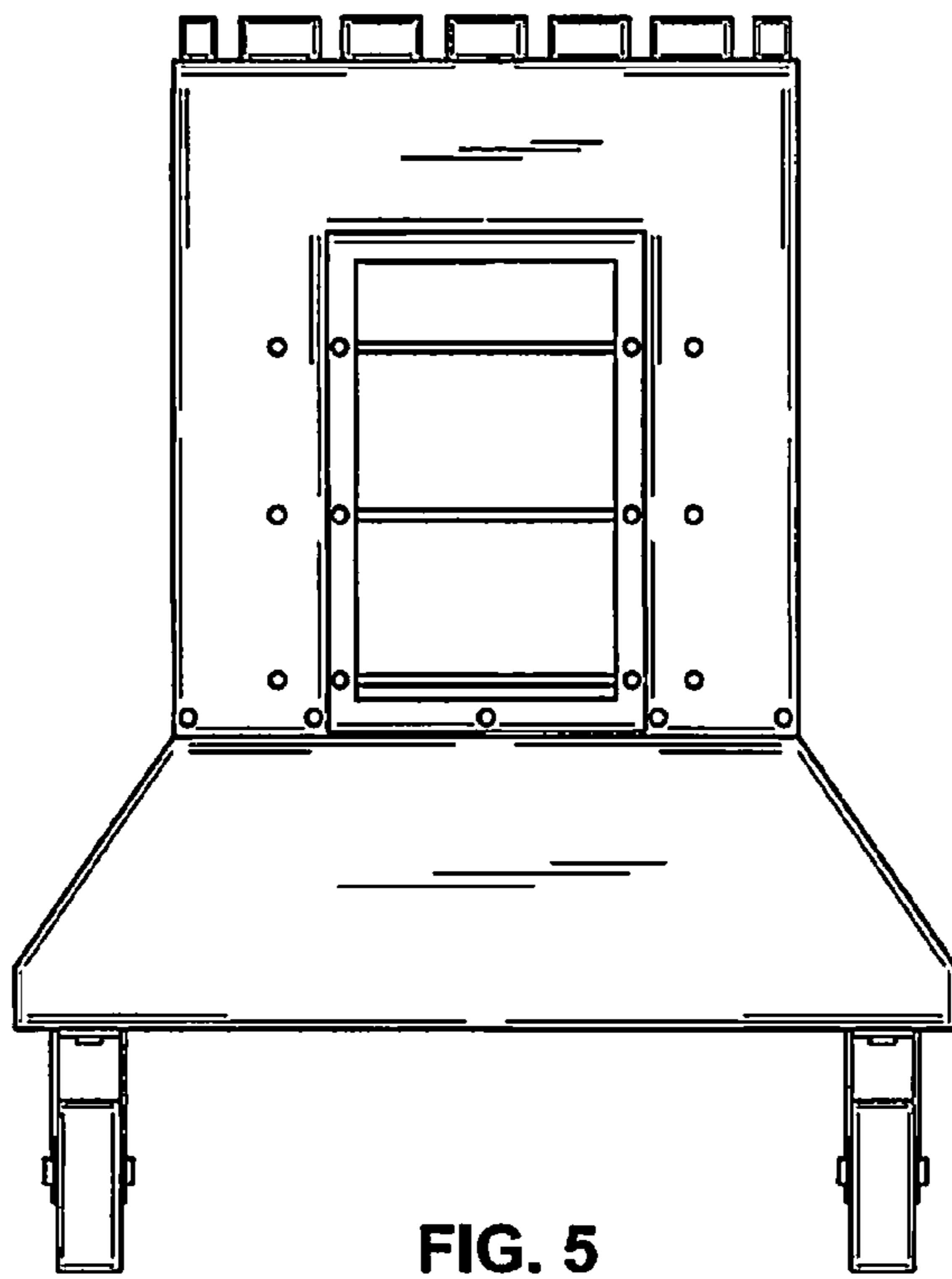
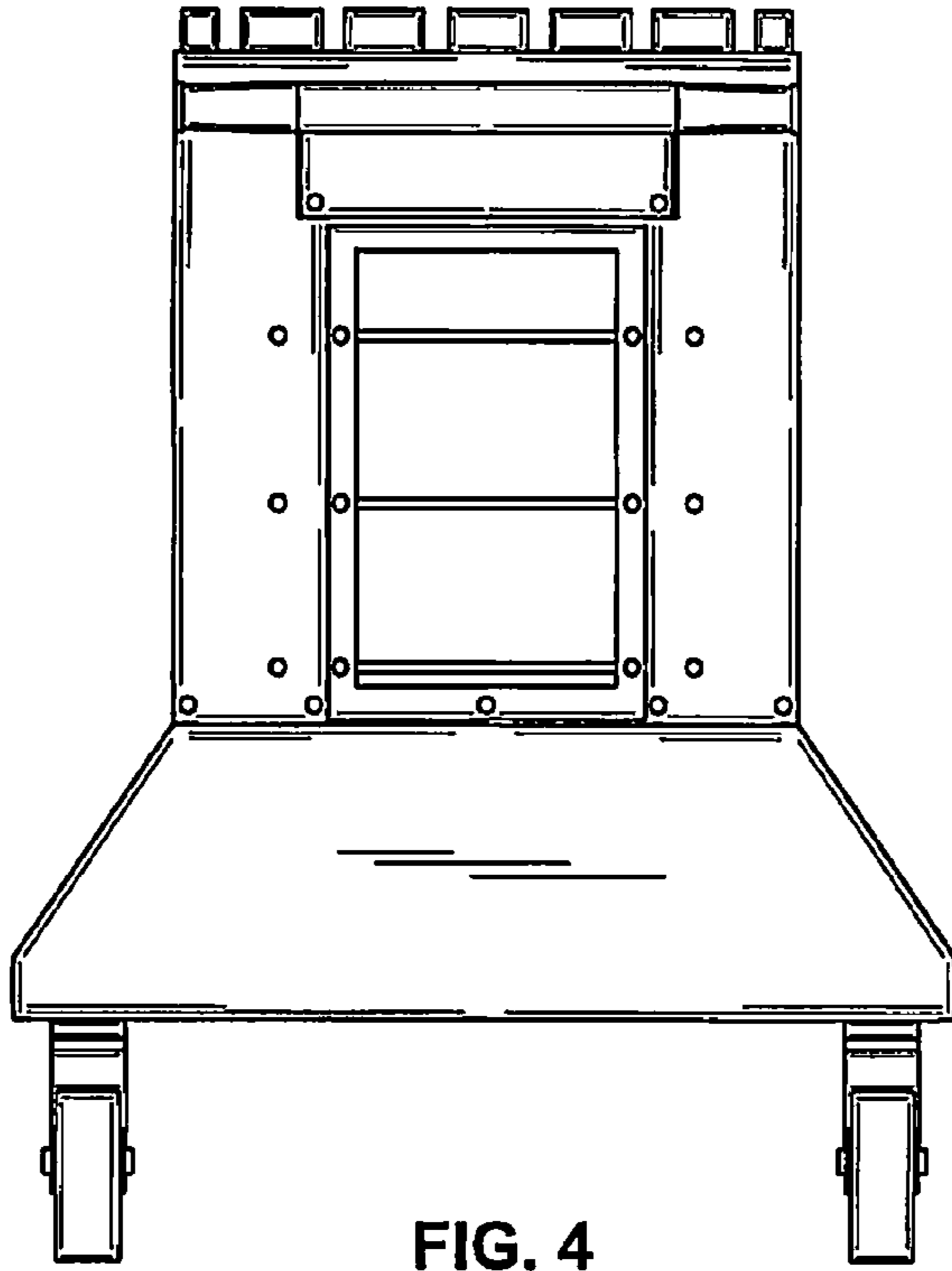




FIG. 6