



US00D673749S

(12) **United States Design Patent**  
**Heiser, Jr. et al.**

(10) **Patent No.:** **US D673,749 S**  
(45) **Date of Patent:** **\*\* Jan. 1, 2013**

(54) **PLASTIC HANDLE FOR CONTAINER**

(75) Inventors: **John A. Heiser, Jr.**, Rancho Santa Margarita, CA (US); **Keith Francis Rukvina**, Dothan, AL (US)

(73) Assignee: **John A. Heiser, Jr.**, Rancho Santa Margarita, CA (US)

(\*\*) Term: **14 Years**

(21) Appl. No.: **29/400,545**

(22) Filed: **Aug. 30, 2011**

(51) **LOC (9) Cl.** ..... **07-07**

(52) **U.S. Cl.** ..... **D32/53**

(58) **Field of Classification Search** ..... D32/53-54;  
220/755, 760, 764, 773, 904; 16/425, 444;  
15/264

See application file for complete search history.

(56) **References Cited**

U.S. PATENT DOCUMENTS

2,026,536	A *	1/1936	Hothersall	.....	220/755
5,806,709	A *	9/1998	Marshall, II	.....	220/755
6,352,169	B2 *	3/2002	Foster	.....	220/755
6,494,341	B2 *	12/2002	Perkins et al.	.....	220/764
D530,052	S *	10/2006	Berti	.....	D32/53
D631,630	S *	1/2011	Berti	.....	D32/53
D652,596	S *	1/2012	Manuel	.....	D32/53

\* cited by examiner

*Primary Examiner* — Robin V Webster

(74) *Attorney, Agent, or Firm* — John L. Rogitz

(57) **CLAIM**

The ornamental design for the plastic handle for container, as shown and described.

**DESCRIPTION**

FIG. 1 is a perspective view of the plastic handle for container engaged with a container, with the container shown in phantom to underscore that the container does not form part of the claimed design;

FIG. 2 is a perspective view of the plastic handle for container;

FIG. 3 is a top plan view of the plastic handle for container;

FIG. 4 is a bottom plan view of the plastic handle for container;

FIG. 5 is a side elevational view of the plastic handle for container, with sides of the handle being symmetric;

FIG. 6 is an end view of the plastic handle for container, with ends of the handle being symmetric.

FIG. 7 is a perspective view of an alternate plastic handle for container;

FIG. 8 is a top plan view of the plastic handle for container shown in FIG. 7;

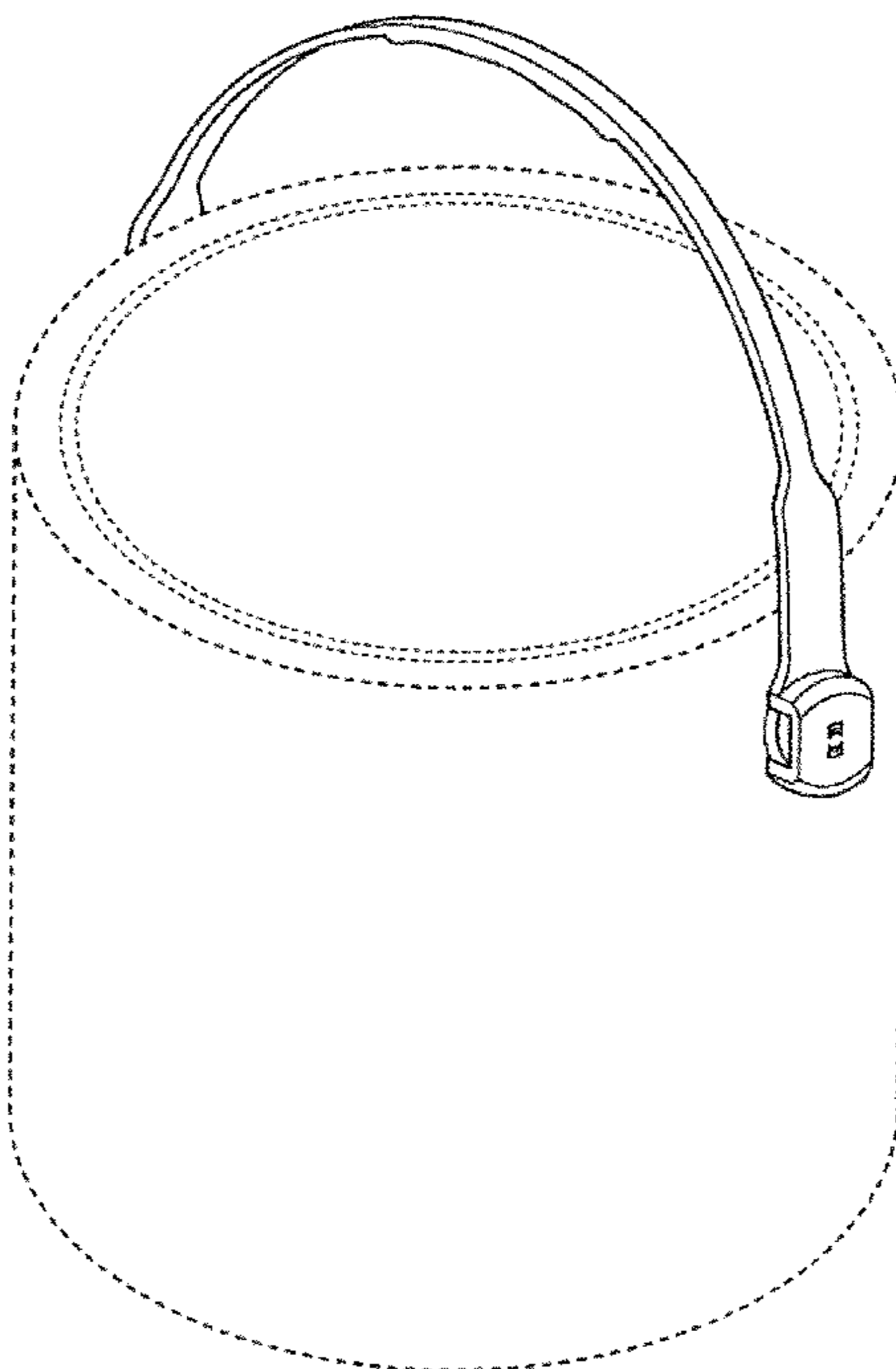
FIG. 9 is a bottom plan view of the plastic handle for container shown in FIG. 7;

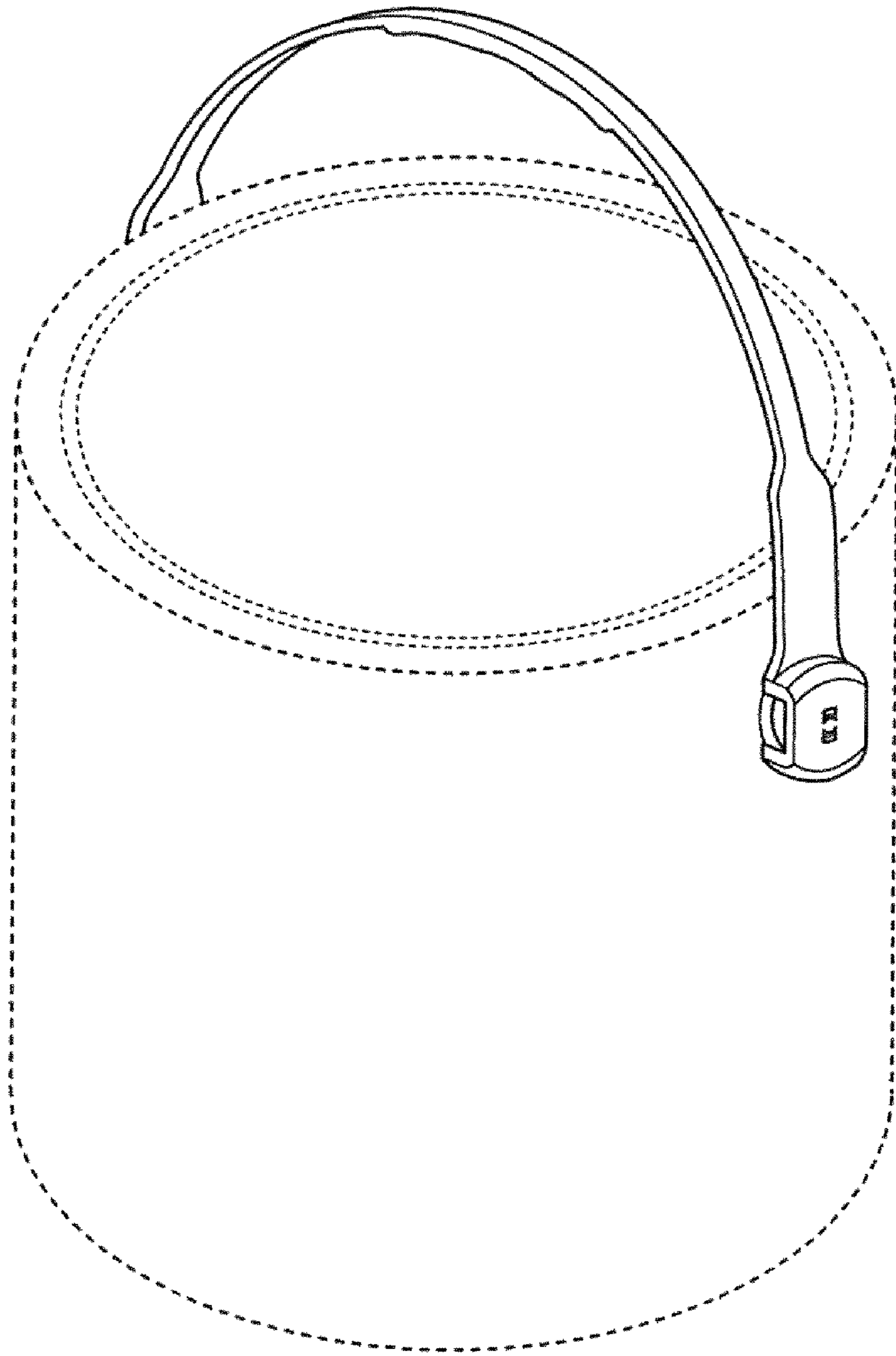
FIG. 10 is a side elevational view of the plastic handle for container shown in FIG. 7, with sides of the handle being symmetric; and,

FIG. 11 is an end view of the plastic handle for container shown in FIG. 7, with ends of the handle being symmetric.

The container does not form part of the claimed invention.

**1 Claim, 5 Drawing Sheets**





**FIG. 1**

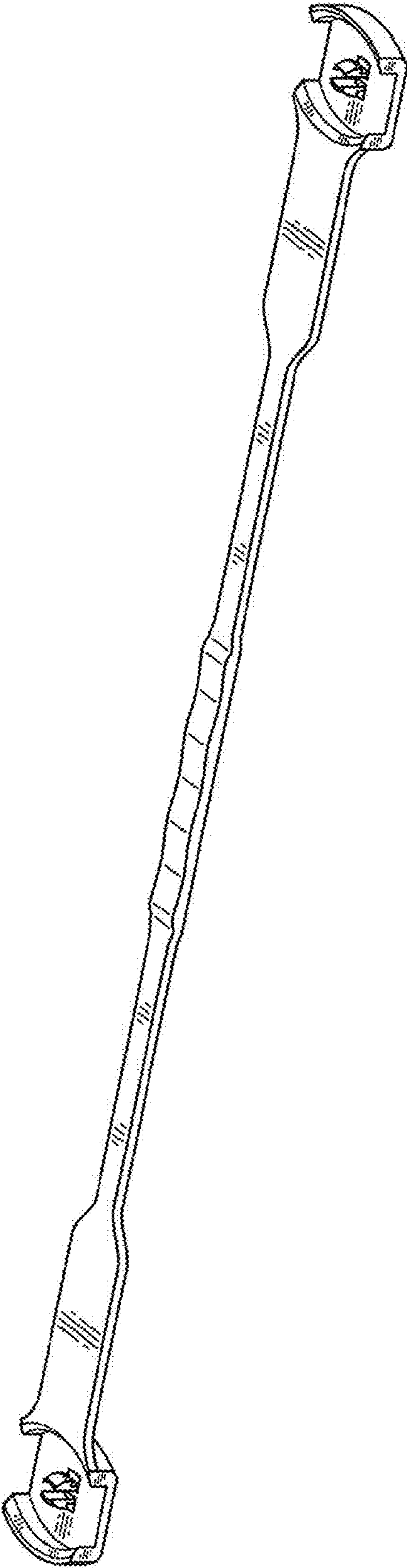


FIG. 2

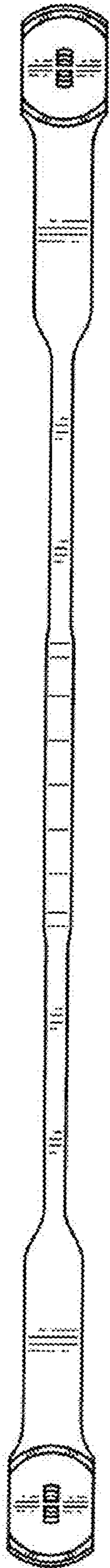


FIG. 3

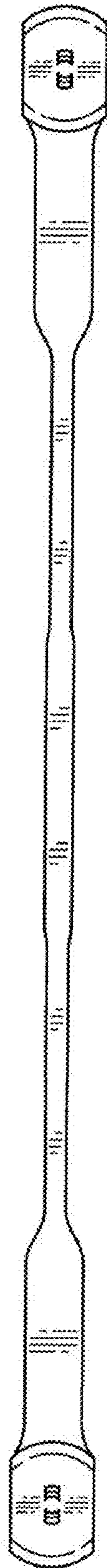


FIG. 4

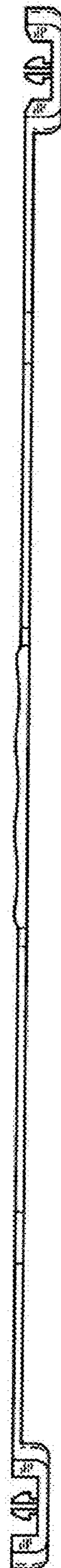


FIG. 5



FIG. 6

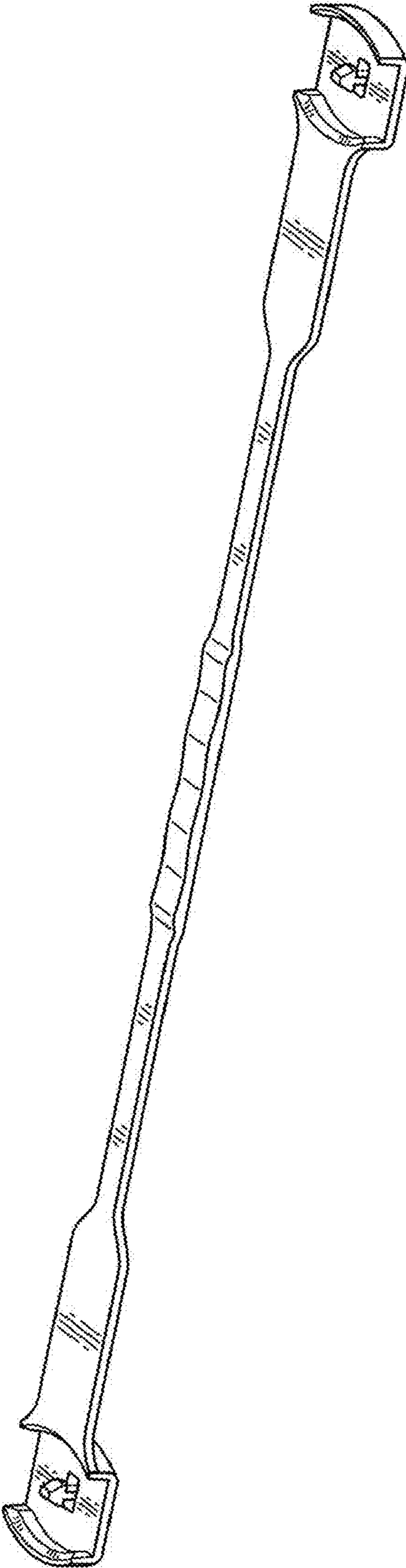


FIG. 7



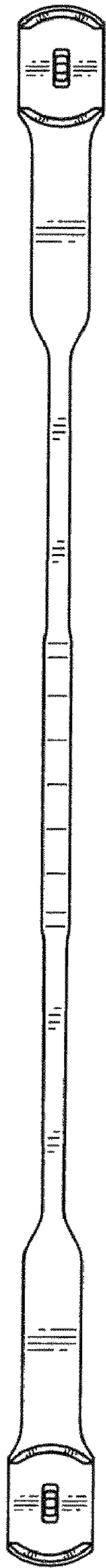


FIG. 8

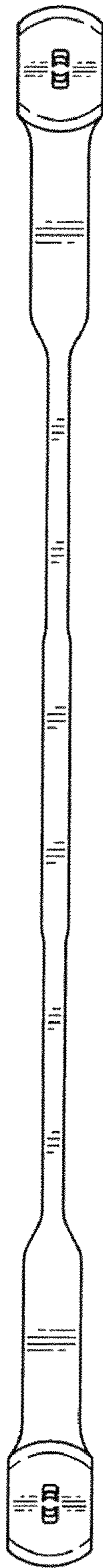


FIG. 9



FIG. 10

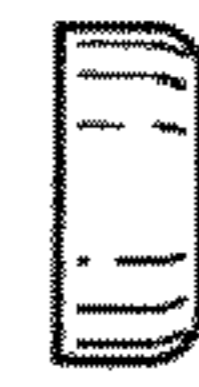


FIG. 11