



US00D673743S

(12) **United States Design Patent**
Dyson et al.

(10) **Patent No.:** **US D673,743 S**
(45) **Date of Patent:** **** Jan. 1, 2013**

(54) **PART OF A VACUUM CLEANER**

(75) Inventors: **James Dyson**, Malmesbury (GB); **Peter David Gammack**, Malmesbury (GB)

(73) Assignee: **Dyson Limited**, Malmesbury, Wiltshire (GB)

(**) Term: **14 Years**

(21) Appl. No.: **29/388,242**

(22) Filed: **Mar. 25, 2011**

(30) **Foreign Application Priority Data**

Sep. 29, 2010 (EM) 001237127-0009

(51) **LOC (9) Cl.** **15-05**

(52) **U.S. Cl.** **D32/31**

(58) **Field of Classification Search** D32/21,
D32/23-24, 30-31; 15/327.1-327.7, 328,
15/340.1, 340.2, 353, 347, 301, 336, 320,
15/314, 352, 412; 55/447, 337, 345, DIG. 3
See application file for complete search history.

(56) **References Cited**

U.S. PATENT DOCUMENTS

3,776,127	A *	12/1973	Muse	99/482
D244,249	S *	5/1977	Boswell et al.	D7/332
4,094,295	A *	6/1978	Boswell et al.	126/25 R
5,473,979	A *	12/1995	Ruben	99/446
D374,371	S *	10/1996	Hall McDonald	D7/332
D463,948	S *	10/2002	Innes	D7/332
D471,683	S *	3/2003	Dyson et al.	D32/30
D481,903	S *	11/2003	Hester	D7/332
D484,286	S *	12/2003	Dyson et al.	D32/24
D486,348	S *	2/2004	Zhu	D7/332
D505,761	S	5/2005	Gammack et al.	
D518,611	S *	4/2006	Hare	D32/21
D524,091	S *	7/2006	Lai	D7/332
D550,022	S *	9/2007	Amajuwon et al.	D7/332

D555,849	S	11/2007	Choi et al.	
D556,962	S	12/2007	Choi et al.	
D557,469	S	12/2007	Choi et al.	
D563,066	S	2/2008	Shevlin	
D566,914	S *	4/2008	Dyson et al.	D32/31
D574,177	S *	8/2008	Hulsey	D7/335
D583,117	S *	12/2008	Peace et al.	D32/31
D587,415	S *	2/2009	Dyson et al.	D32/31
D588,762	S	3/2009	Dyson et al.	
D594,162	S *	6/2009	Knox et al.	D32/21
D594,608	S *	6/2009	Dyson et al.	D32/21
D594,609	S *	6/2009	Dyson et al.	D32/21
7,861,705	B2 *	1/2011	Hulsey	126/25 A
7,874,040	B2	1/2011	Follows et al.	
D632,037	S *	2/2011	Carr et al.	D32/31
7,930,799	B2 *	4/2011	Sutton et al.	15/327.2

(Continued)

OTHER PUBLICATIONS

Dyson et al., U.S. Office Action mailed Nov. 22, 2011, directed to U.S. Appl. No. 29/388,247; 6 pages.

(Continued)

Primary Examiner — Ruth McInroy

(74) *Attorney, Agent, or Firm* — Morrison & Foerster LLP

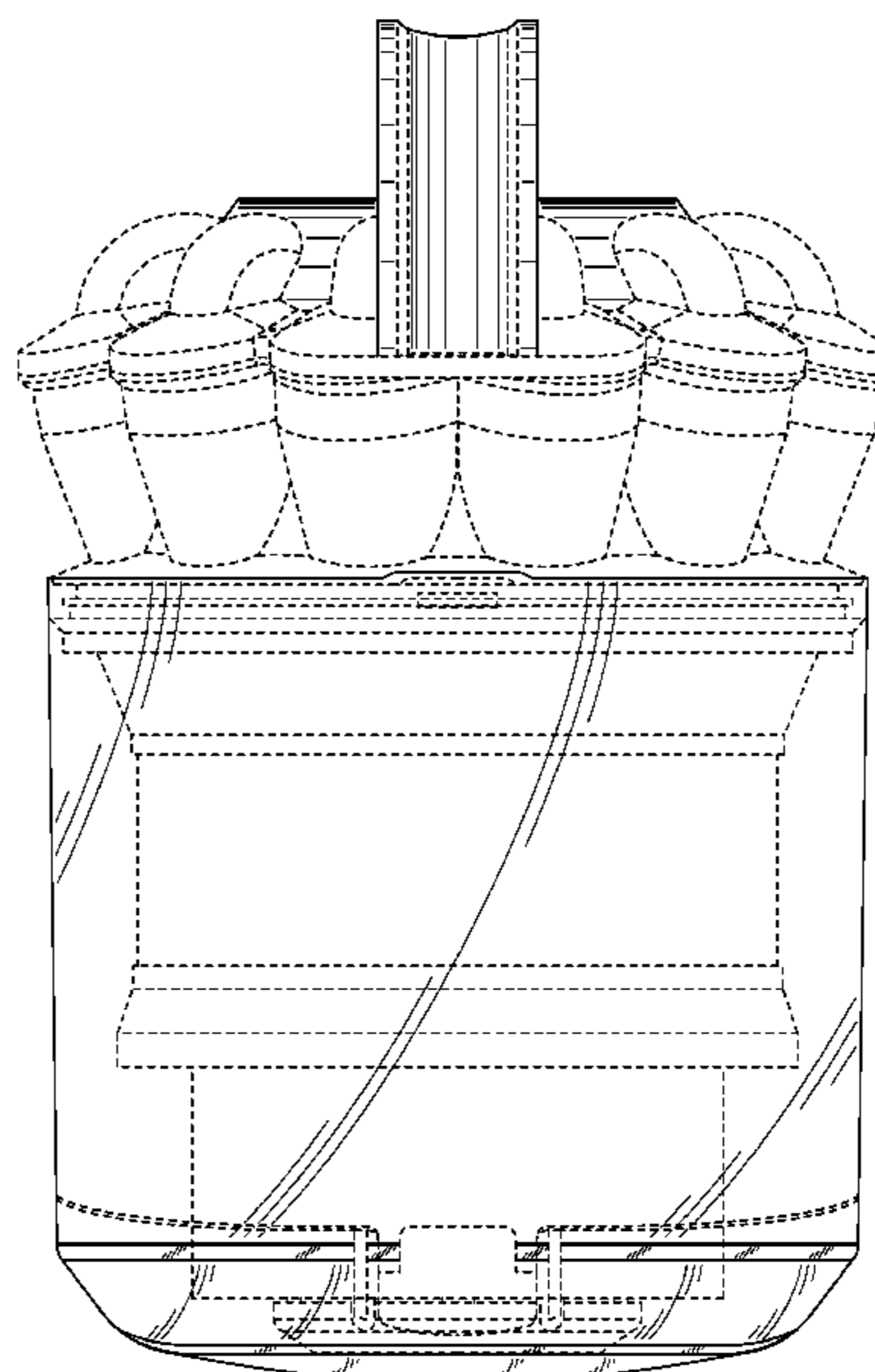
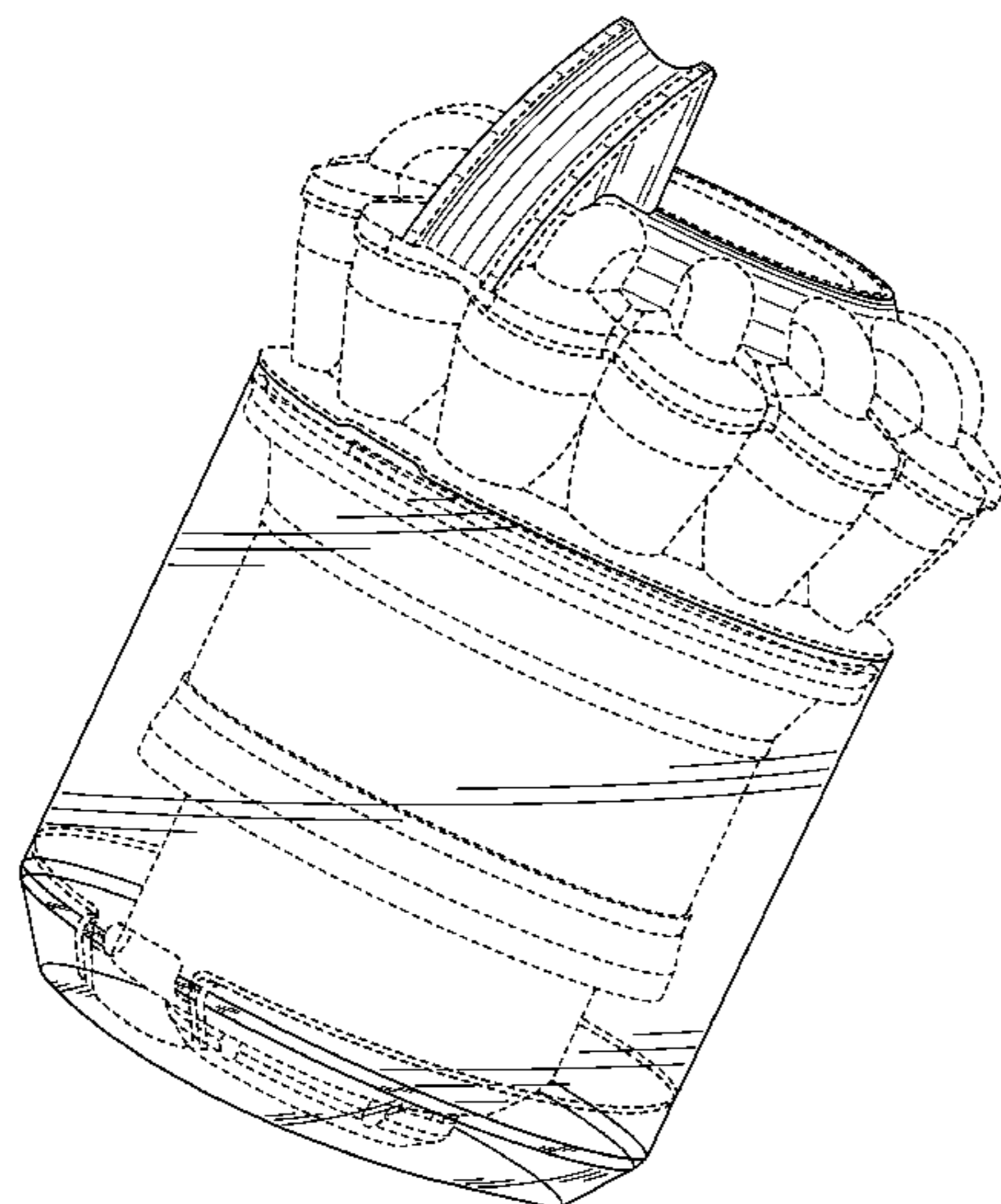
(57) **CLAIM**

We claim the ornamental design for a part of a vacuum cleaner, as shown and described.

DESCRIPTION

FIG. 1 is a perspective view of a part of a vacuum cleaner showing our new design;
FIG. 2 is a front view thereof;
FIG. 3 is a rear view thereof;
FIG. 4 is a side view thereof;
FIG. 5 is a side view from the side opposite that of FIG. 4;
FIG. 6 is a plan view thereof from above; and,
FIG. 7 is a plan view thereof from below.

1 Claim, 7 Drawing Sheets



US D673,743 S

Page 2

U.S. PATENT DOCUMENTS

D642,416 S * 8/2011 Scott et al. D7/332
2005/0121018 A1 * 6/2005 Rosen 126/9 R
2007/0294856 A1 12/2007 Park
2009/0308373 A1 * 12/2009 Scott et al. 126/25 R
2010/0218338 A1 9/2010 McLeod
2010/0242208 A1 * 9/2010 Gammack et al. 15/327.1
2010/0242219 A1 * 9/2010 Dyson et al. 15/347
2010/0242220 A1 9/2010 Dyson et al.
2010/0242221 A1 9/2010 Horne et al.

OTHER PUBLICATIONS

Dyson et al., U.S. Office Action mailed Nov. 21, 2011, directed to U.S. Appl. No. 29/388,229; 6 pages.
Dyson et al., U.S. Office Action mailed Nov. 23, 2011, directed to U.S. Appl. No. 29/388,341; 6 pages.
Dyson et al., U.S. Office Action mailed Nov. 23, 2011, directed to U.S. Appl. No. 29/388,226; 6 pages.

* cited by examiner

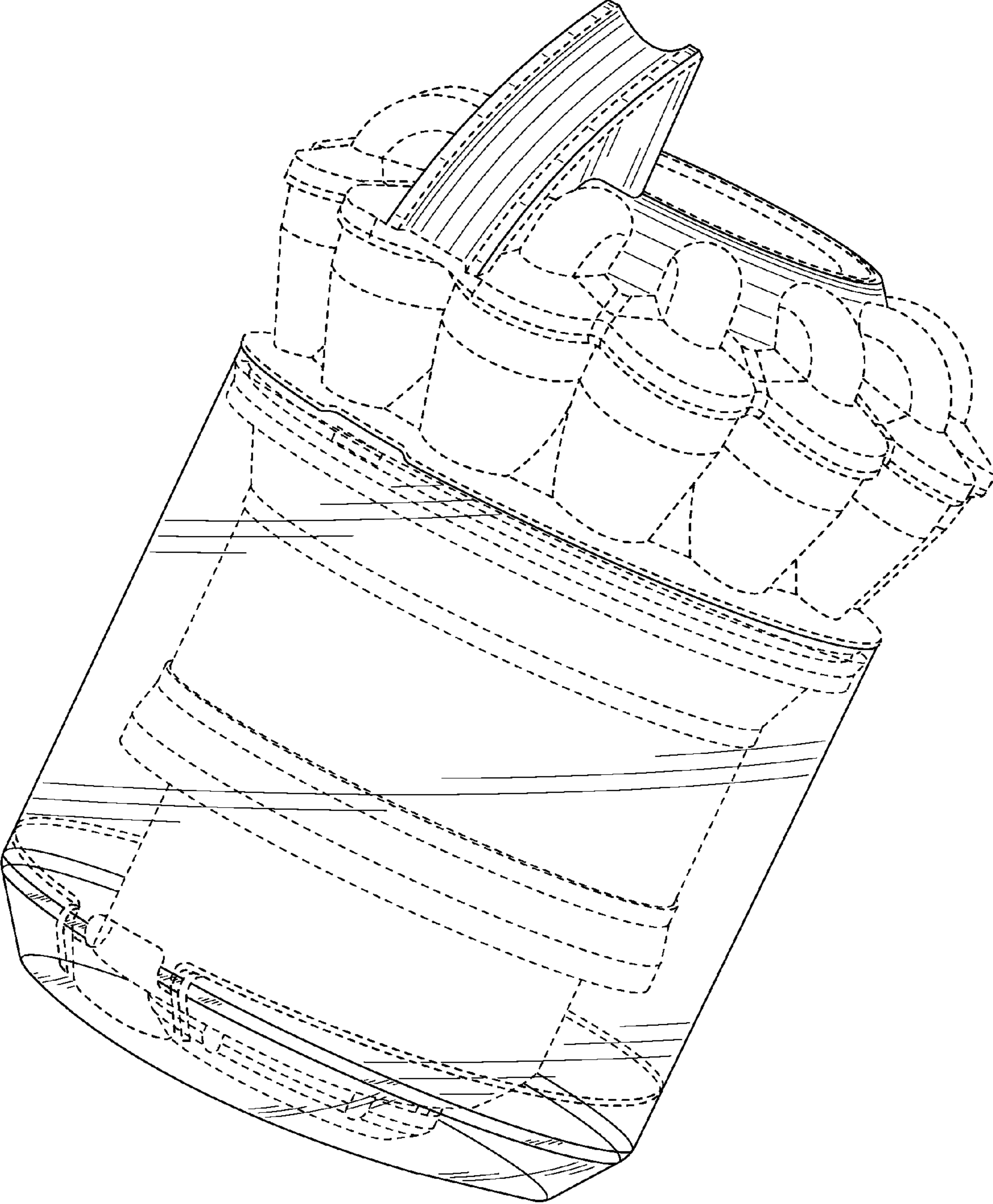


FIG. 1

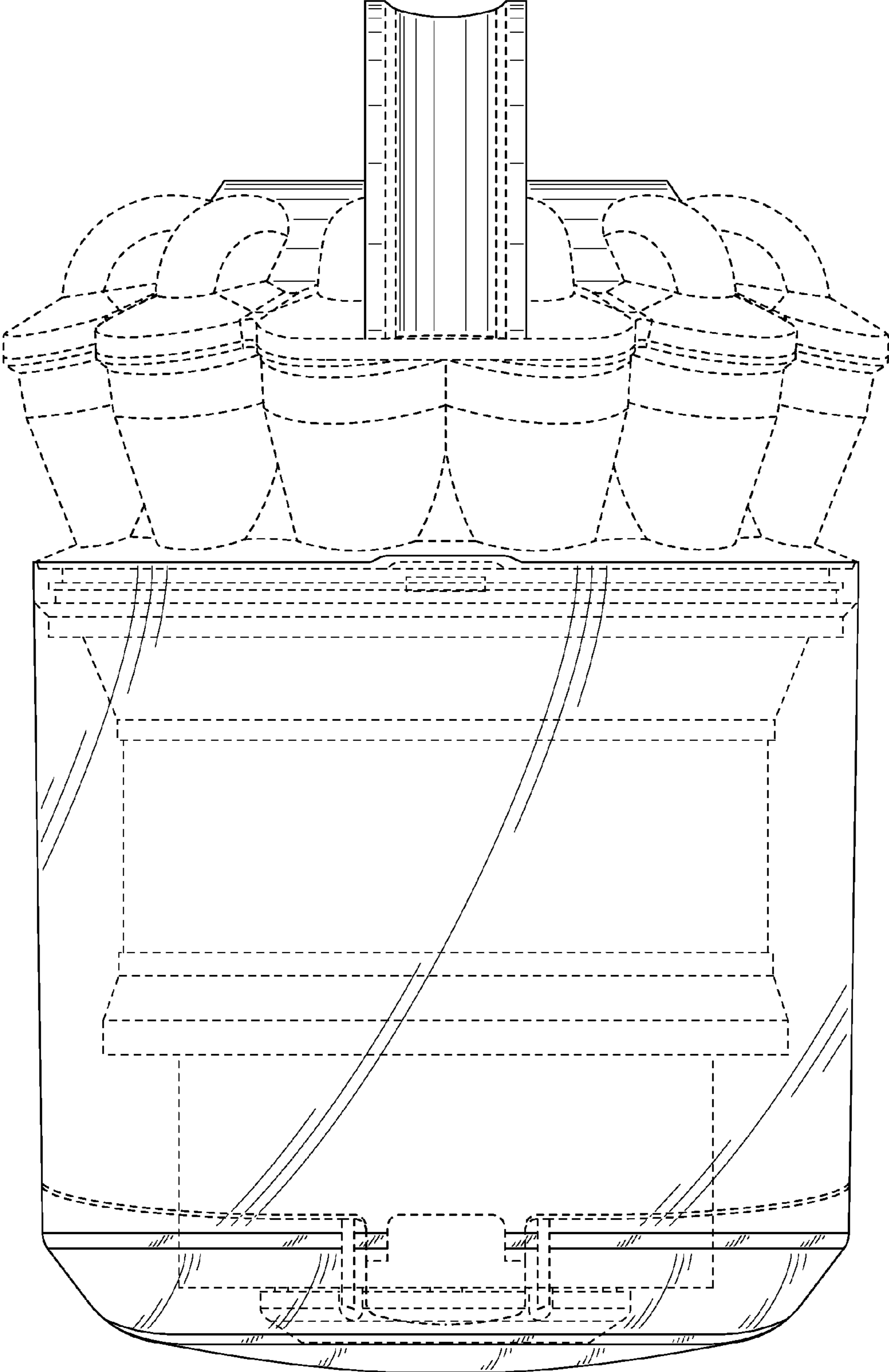


FIG. 2

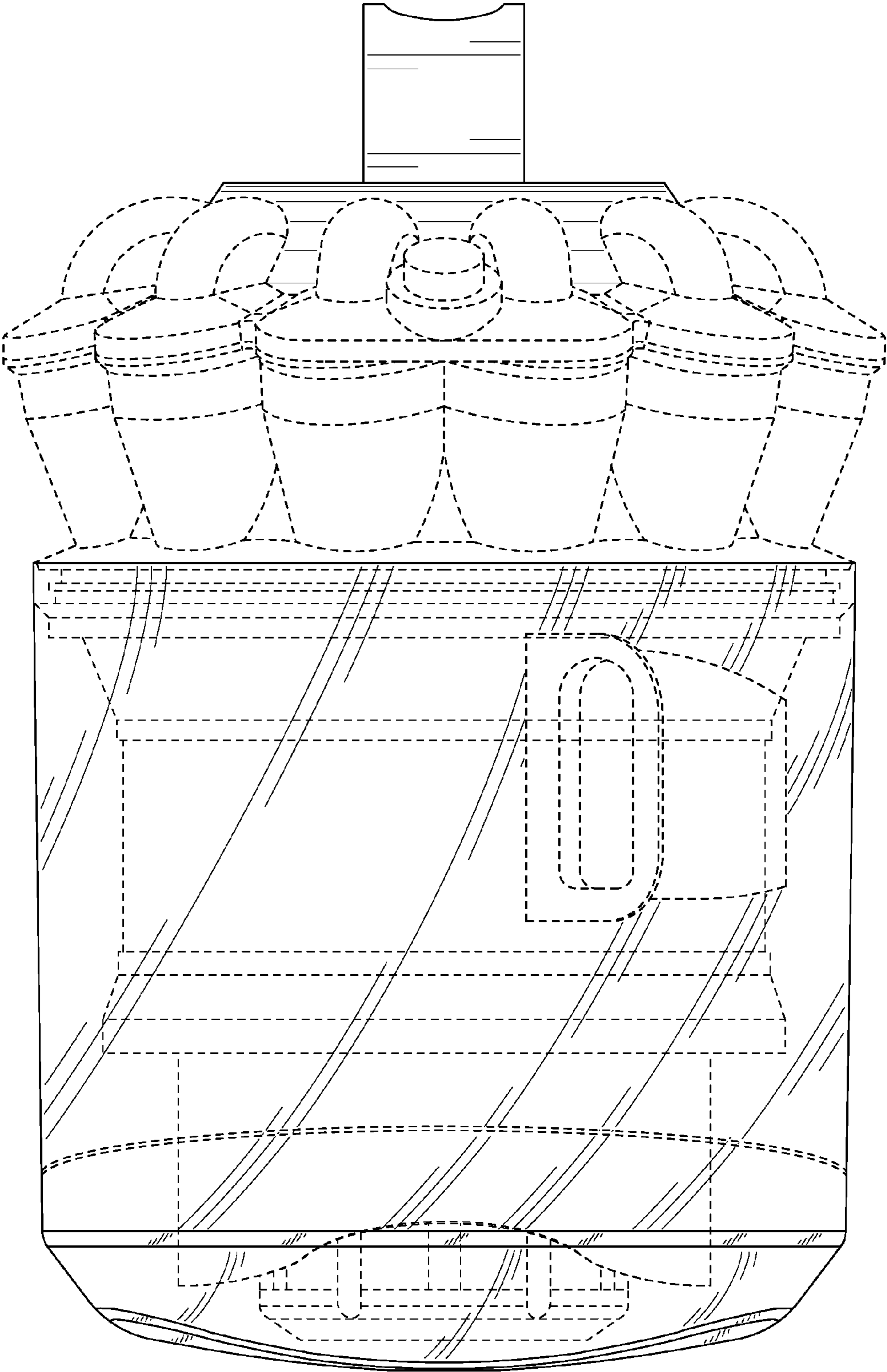


FIG. 3

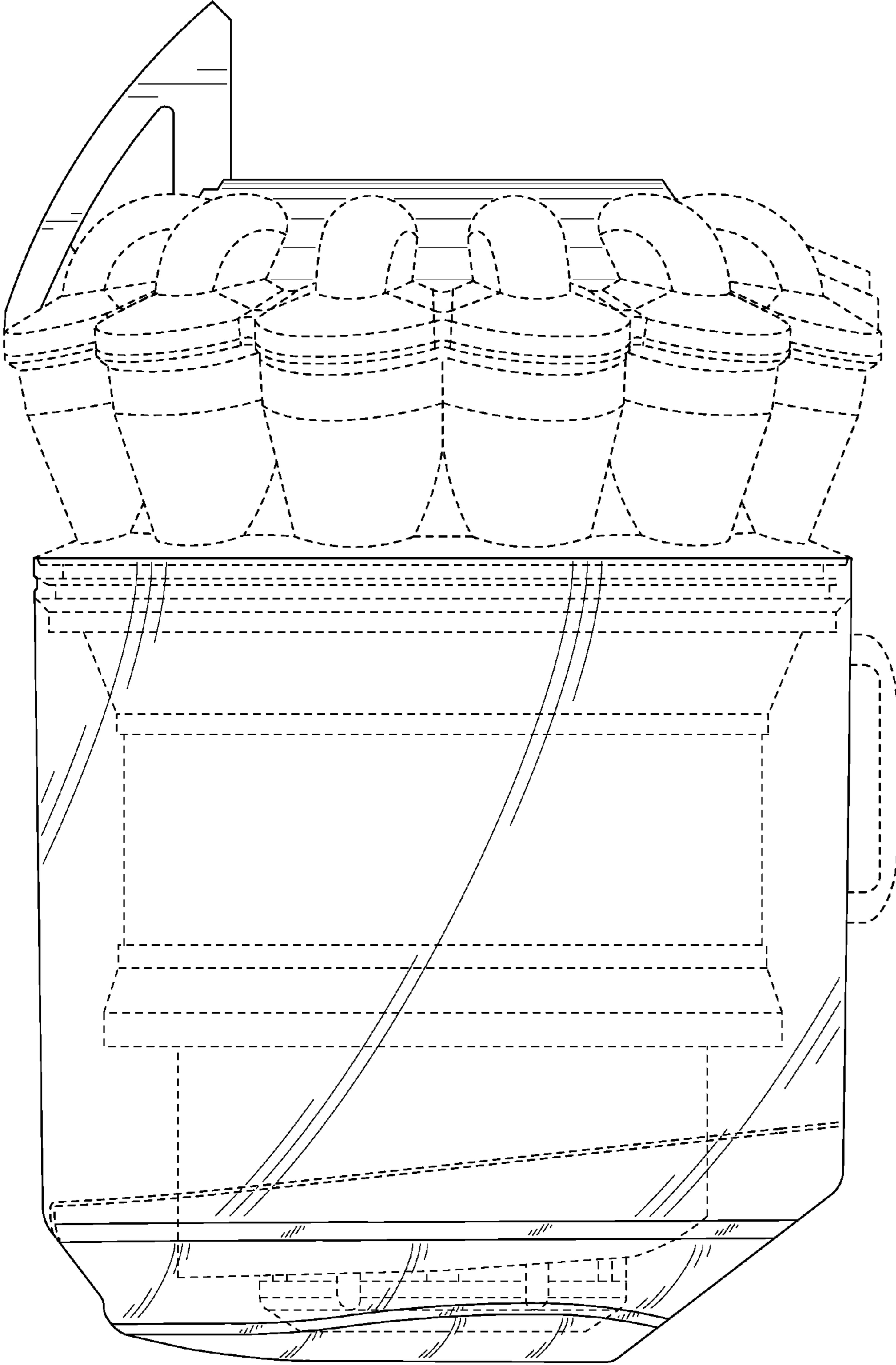


FIG. 4

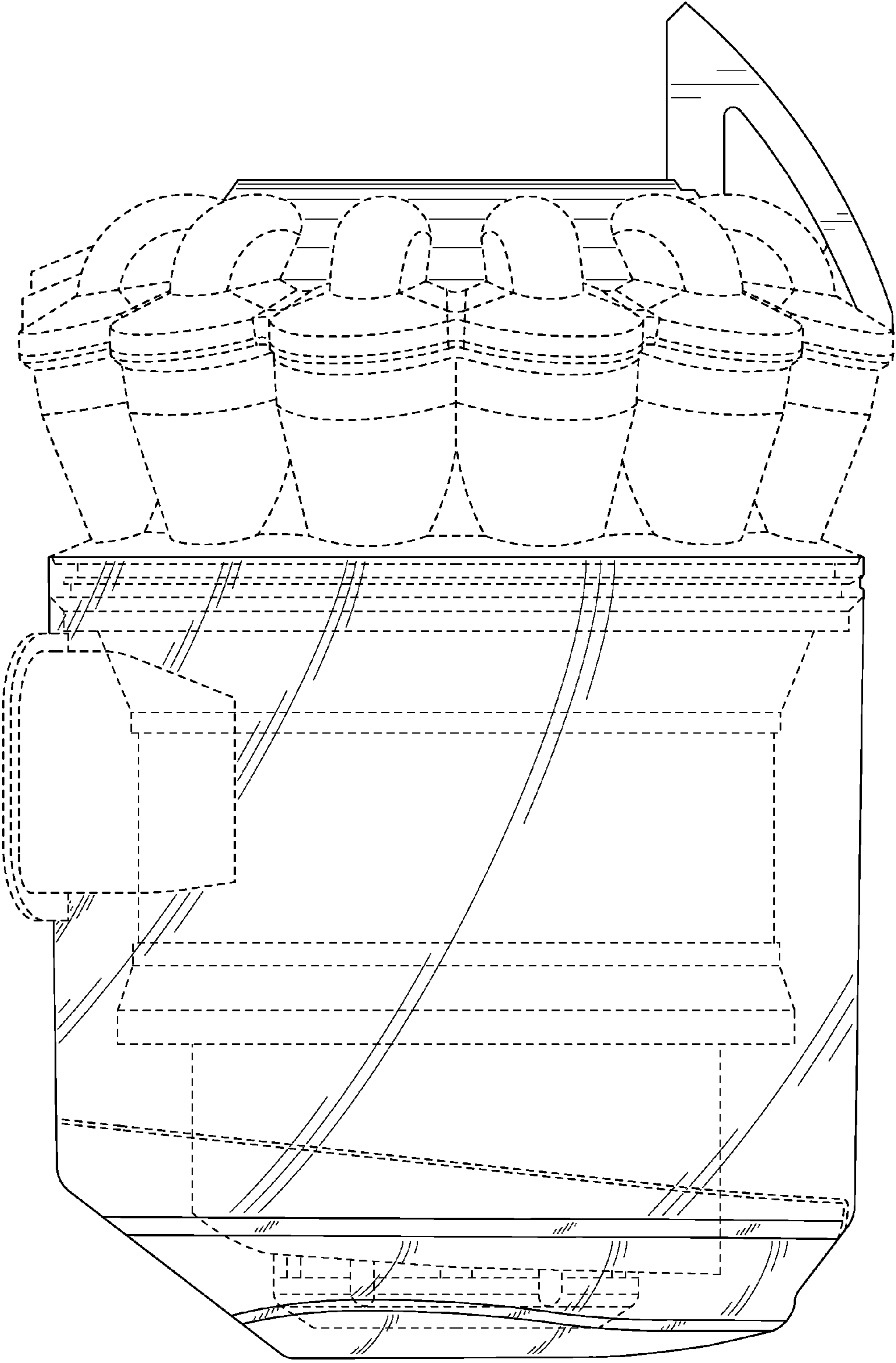


FIG. 5

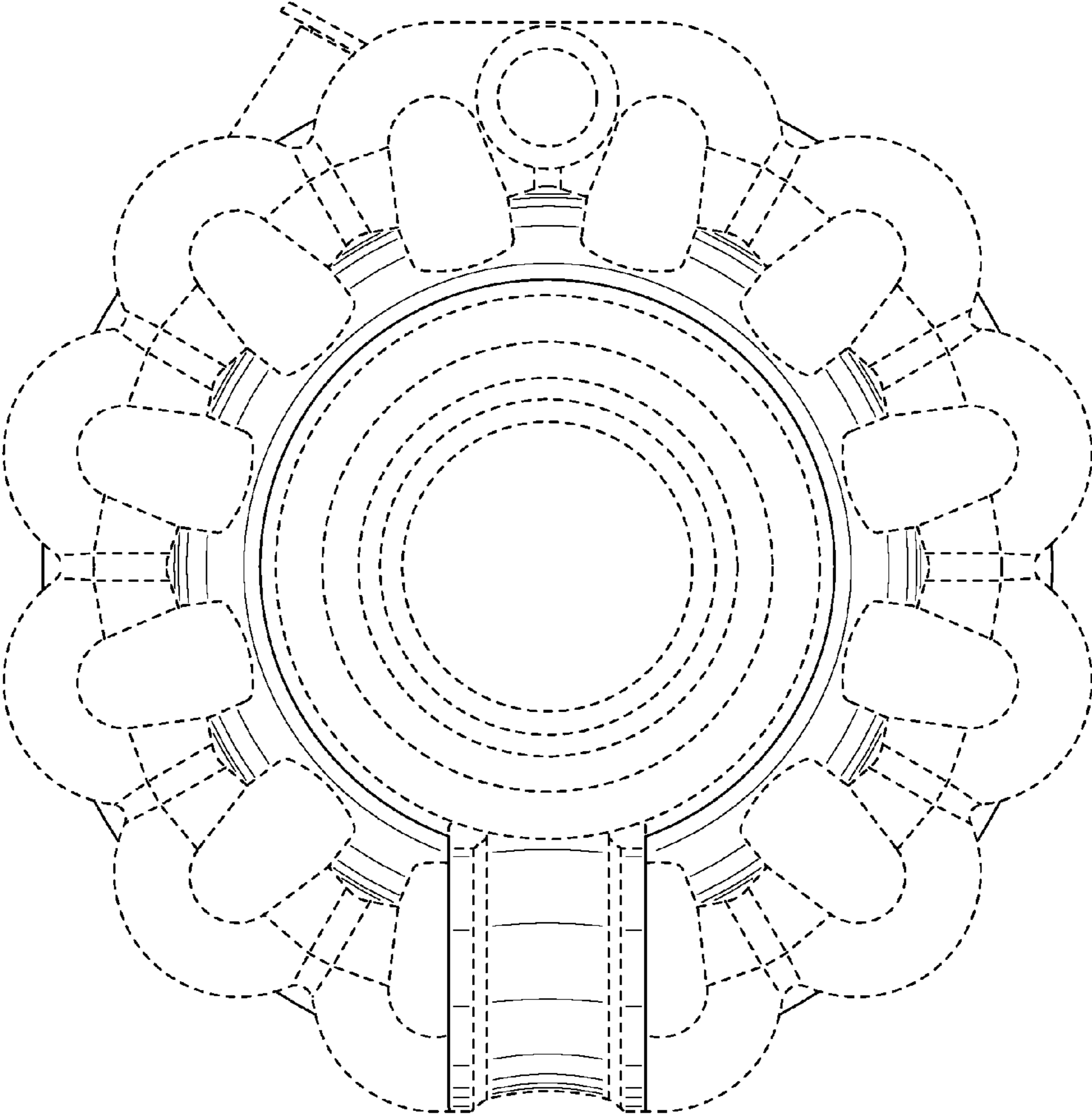


FIG. 6

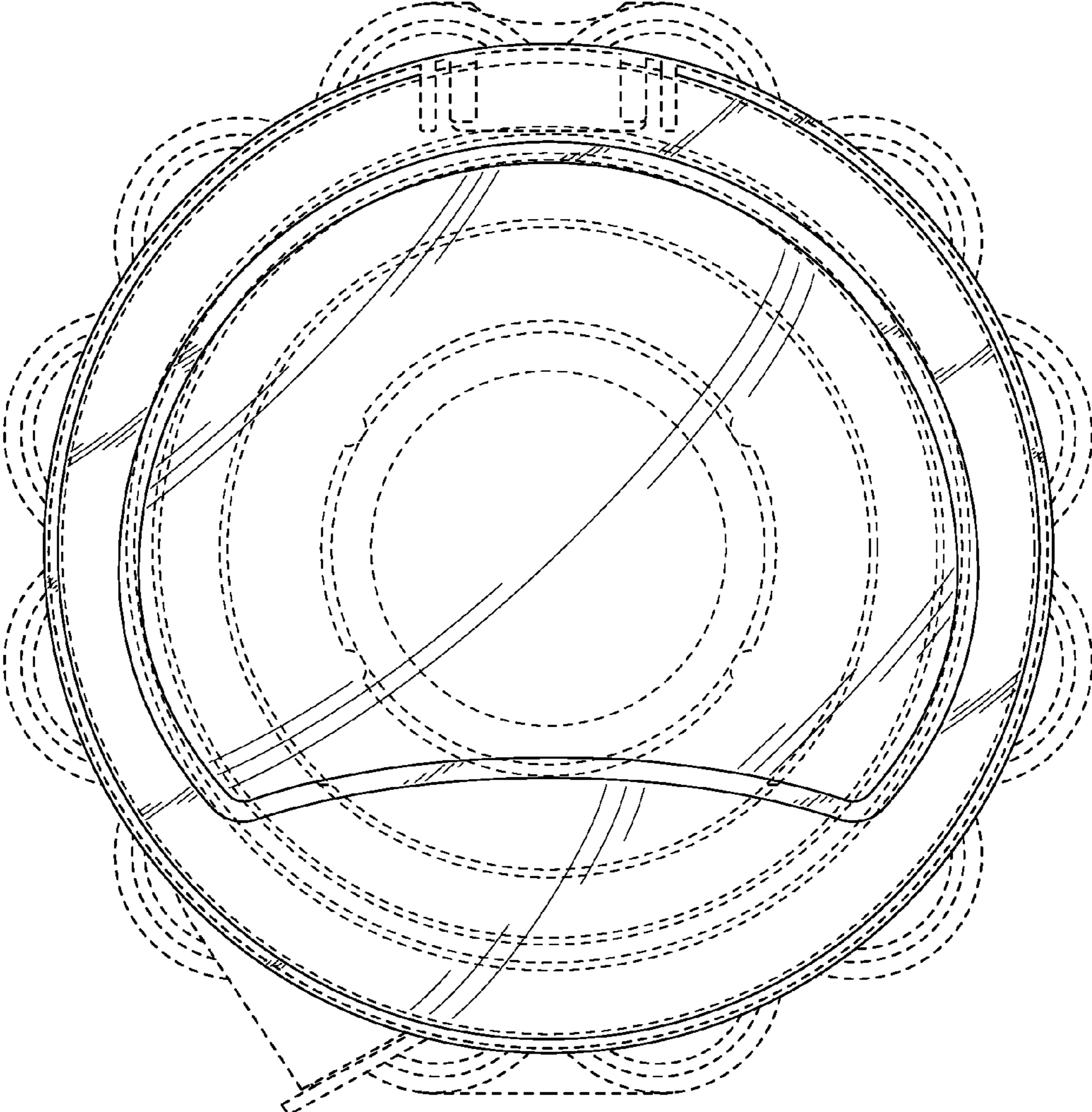


FIG. 7