



US00D673738S

(12) **United States Design Patent**
Lanzendorf

(10) **Patent No.:** **US D673,738 S**

(45) **Date of Patent:** **** Jan. 1, 2013**

(54) **PET HARNESS**

(76) **Inventor:** **Deanna M. Lanzendorf**, Cedar Hill,
MO (US)

(**) **Term:** **14 Years**

(21) **Appl. No.:** **29/366,630**

(22) **Filed:** **Jul. 28, 2010**

(51) **LOC (9) Cl.** **30-01**

(52) **U.S. Cl.** **D30/145; D30/152**

(58) **Field of Classification Search** D30/145,
D30/144, 151-154; 119/678, 850, 673, 702,
119/712, 792-798, 758, 760, 769, 770, 784,
119/815, 818, 856, 863, 864, 905, 907, 802,
119/857, 865, 725, 771; 52/3; 54/79.4, 79.1,
54/80.1, 79.2; D3/271.2, 217, 327; 150/154;
36/111; 604/293; 602/79, 61

See application file for complete search history.

(56) **References Cited**

U.S. PATENT DOCUMENTS

D228,926	S	*	10/1973	Bennett	D30/145
4,114,352	A	*	9/1978	Horton et al.	54/79.1
4,355,600	A	*	10/1982	Zielinski	119/850
4,530,309	A	*	7/1985	Collins	119/863
D281,028	S	*	10/1985	Nichols	D30/145
4,715,618	A	*	12/1987	Harris	119/771
D313,676	S	*	1/1991	Indursky et al.	D30/145
5,184,762	A	*	2/1993	Nevitt	224/148.6
D363,572	S	*	10/1995	Obenchain	D30/145
5,632,235	A	*	5/1997	Larsen et al.	119/856
D383,255	S	*	9/1997	Caditz	D30/145
5,887,772	A	*	3/1999	Dooley	224/191
5,996,537	A	*	12/1999	Caditz	119/850
D429,390	S	*	8/2000	Grady et al.	D30/152
D429,391	S	*	8/2000	Grady et al.	D30/152
D453,594	S	*	2/2002	Ishihara	D30/152
D455,873	S	*	4/2002	Constans	D30/145
6,431,123	B1	*	8/2002	Hibbert	119/850
6,443,101	B1	*	9/2002	Fazio	119/792
6,662,754	B1	*	12/2003	Wilson	119/850
7,325,516	B2	*	2/2008	Moore	119/850

7,370,608	B1	*	5/2008	Friedman	119/850
D584,862	S	*	1/2009	Kemper	D30/145
D633,257	S	*	2/2011	Trias	D30/145
7,918,192	B1	*	4/2011	Digh et al.	119/850
D651,364	S	*	12/2011	Luckenbach	D30/145
D653,410	S	*	1/2012	Morton	D30/152
D664,310	S	*	7/2012	Ito	D30/152
8,210,131	B2	*	7/2012	Friedland	119/850
2003/0177984	A1	*	9/2003	Newman	119/850
2004/0031448	A1	*	2/2004	Trepanier	119/850
2005/0217609	A1	*	10/2005	Dorton et al.	119/792
2005/0229869	A1	*	10/2005	Leo	119/850
2007/0204808	A1	*	9/2007	Harada	119/850
2008/0121192	A1	*	5/2008	Moy	119/850
2009/0120377	A1	*	5/2009	Palmer	119/856
2009/0308330	A1	*	12/2009	Kajanoff	119/850
2010/0043725	A1	*	2/2010	Hall	119/850
2010/0263603	A1	*	10/2010	Baron	119/850
2010/0319632	A1	*	12/2010	Blizzard	119/850
2011/0155077	A1	*	6/2011	Hurwitz	119/850
2011/0226193	A1	*	9/2011	Williams	119/850

* cited by examiner

Primary Examiner — Susan Moon Lee

(74) *Attorney, Agent, or Firm* — Grace J. Fishel

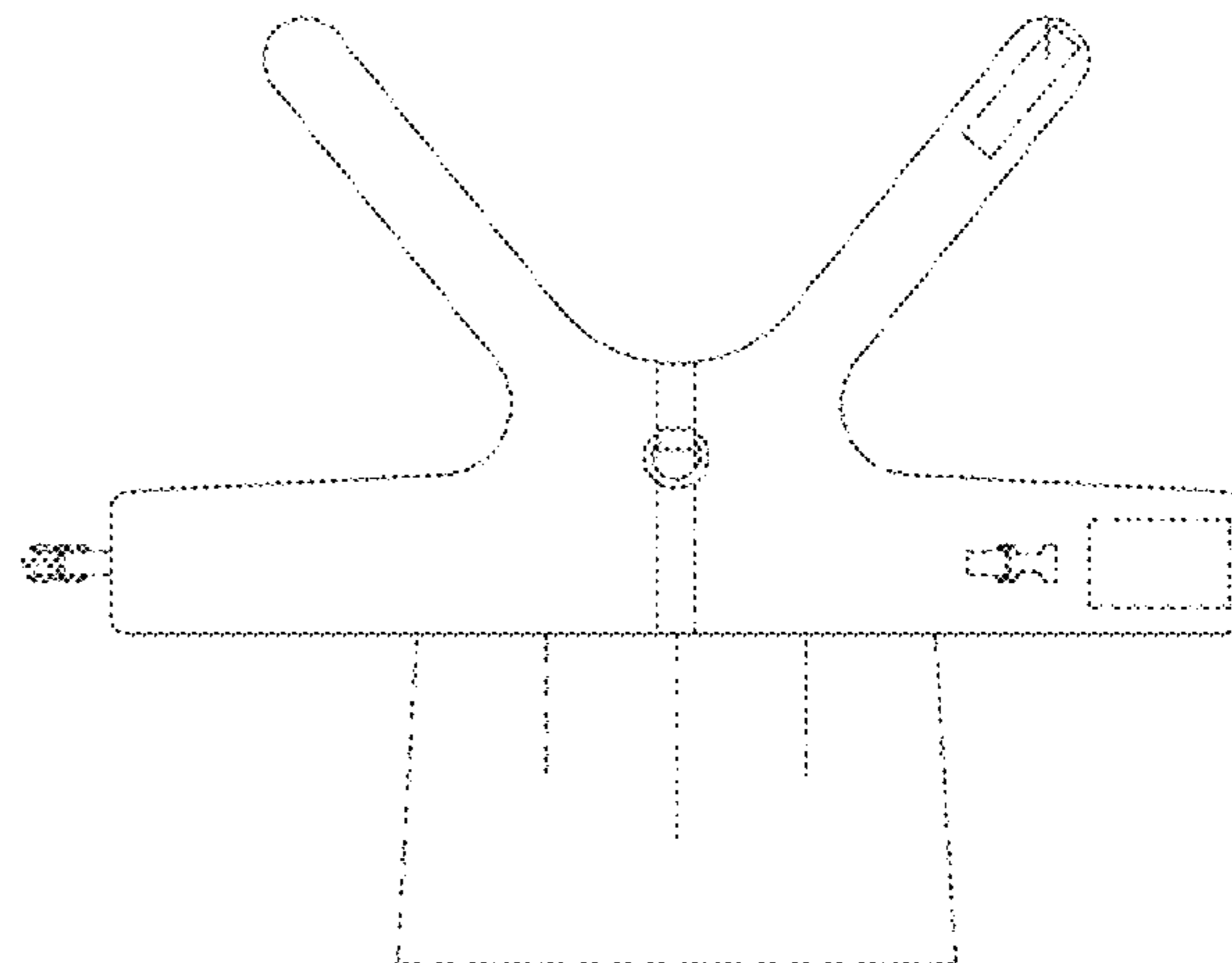
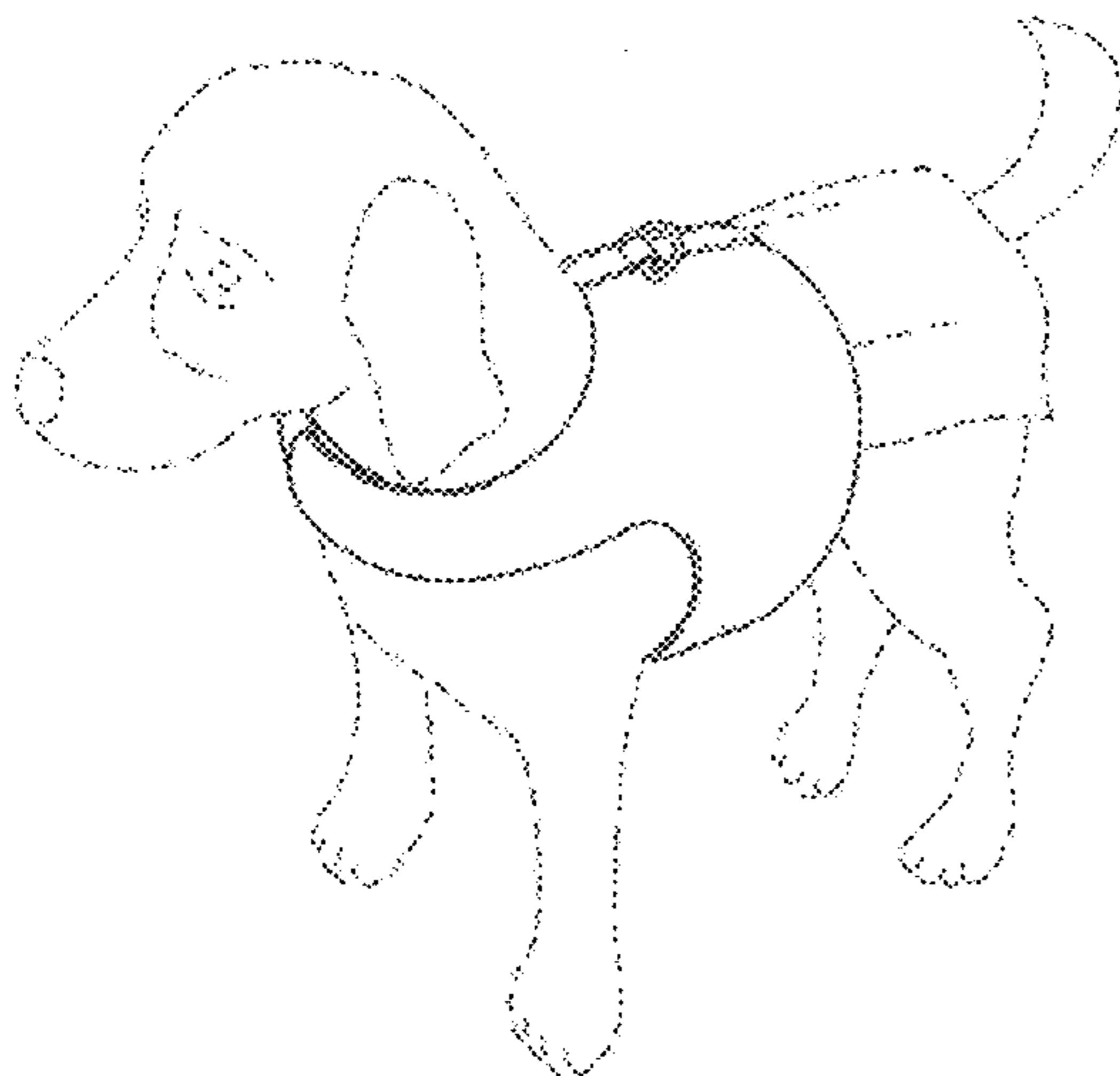
(57) **CLAIM**

The ornamental design for a pet harness, as shown and described.

DESCRIPTION

FIG. 1 is a perspective view of a pet harness showing my new design in use;
FIG. 2 is a second perspective view thereof;
FIG. 3 is a front view thereof;
FIG. 4 is a bottom view thereof;
FIG. 5 is a right side elevation thereof;
FIG. 6 is a left side elevation thereof;
FIG. 7 is a top view thereof; and,
FIG. 8 is a back view thereof.
The broken lines and portions contained within broken lines are not claimed.

1 Claim, 5 Drawing Sheets



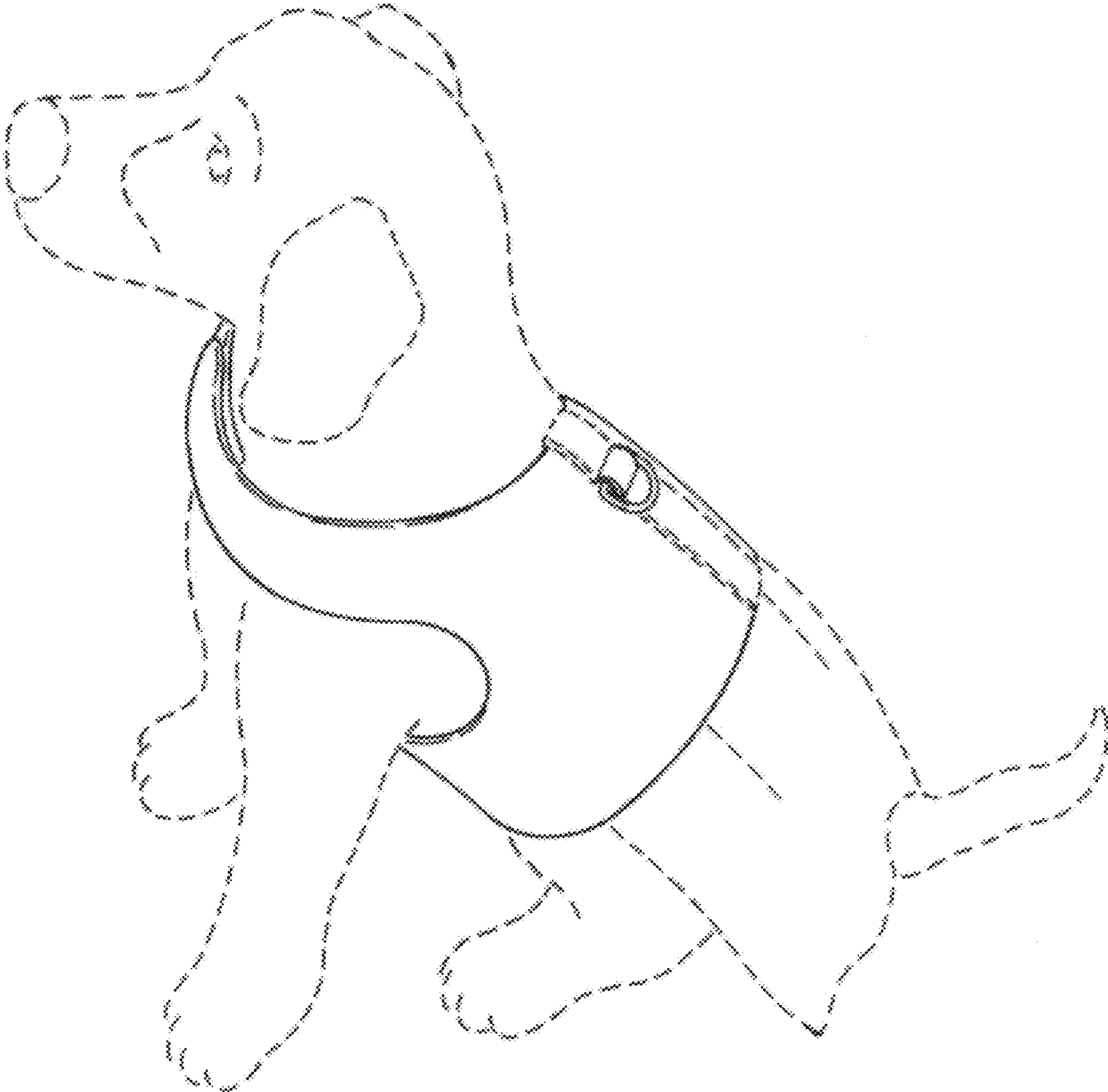


Fig. 1

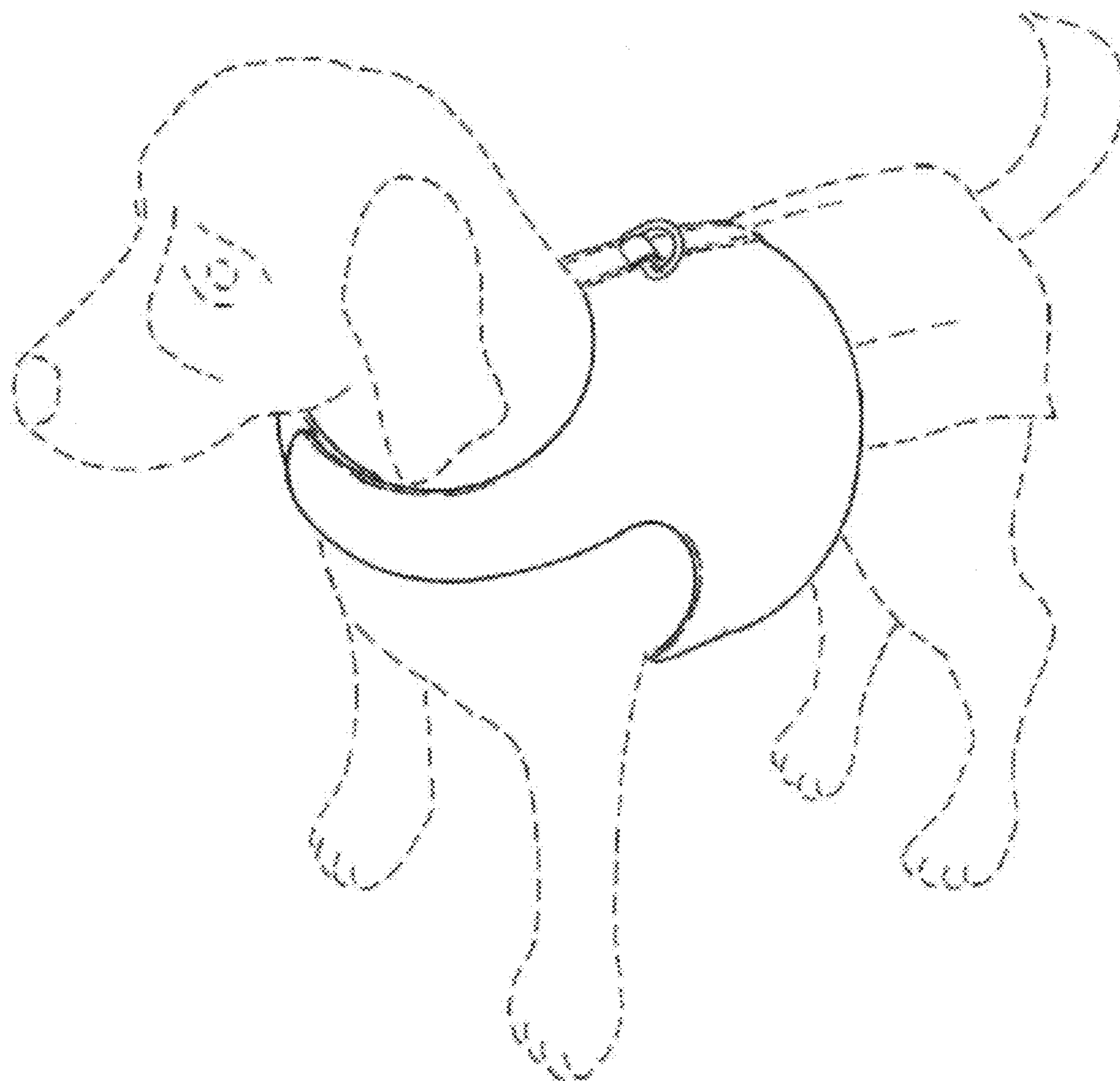


Fig. 2

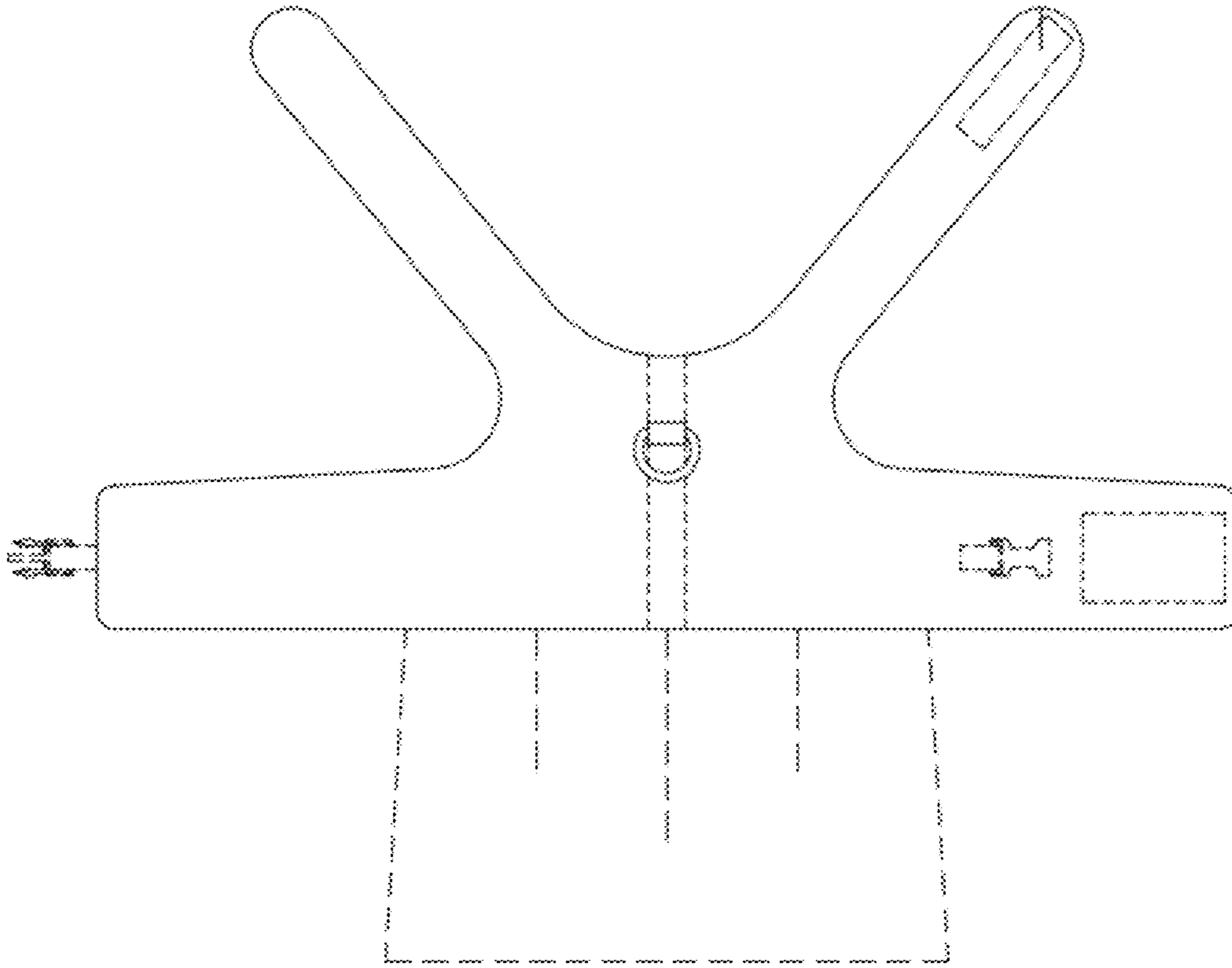


Fig. 3

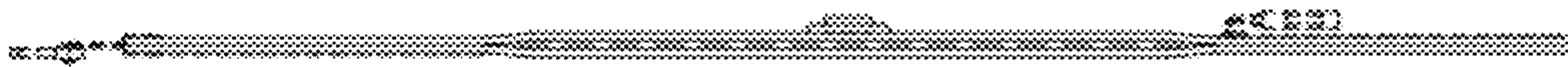


Fig. 4



Fig. 5



Fig. 6

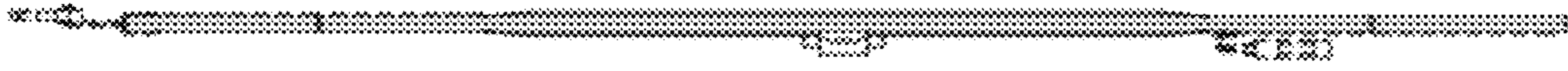


Fig. 7

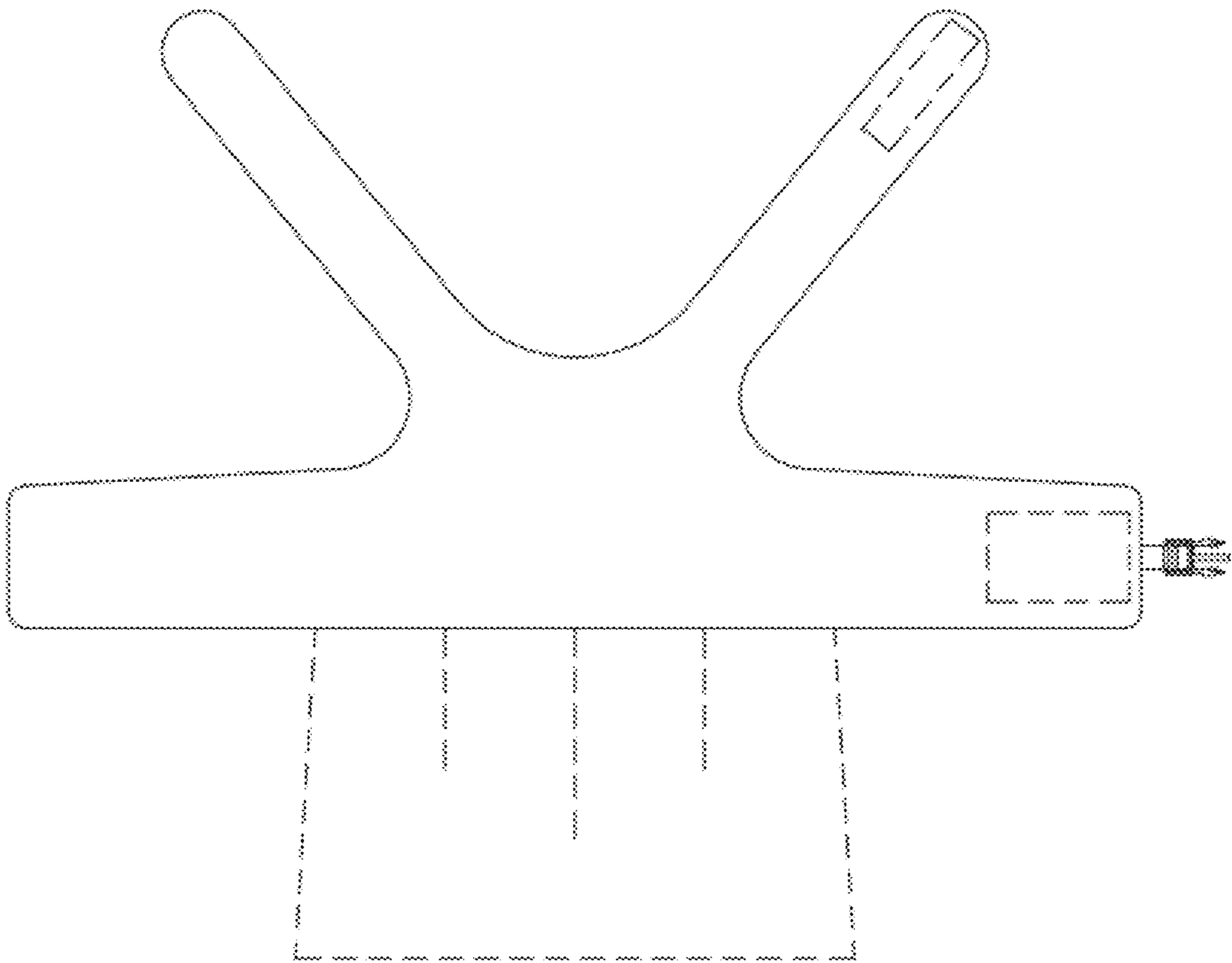


Fig. 8