



US00D673731S

(12) **United States Design Patent**  
**Skuhra et al.**

(10) **Patent No.:** **US D673,731 S**  
(45) **Date of Patent:** **\*\* Jan. 1, 2013**

(54) **HAIR CLIPPER HOUSING**

(75) Inventors: **Andrew A. Skuhra**, Racine, WI (US);  
**Timothy B. Strandell**, Racine, WI (US)

(73) Assignee: **Andis Company**, Sturtevant, WI (US)

(\*\*) Term: **14 Years**

(21) Appl. No.: **29/397,517**

(22) Filed: **Jul. 18, 2011**

(51) **LOC (9) Cl.** ..... **28-03**

(52) **U.S. Cl.** ..... **D28/53**

(58) **Field of Classification Search** ..... D28/44-54;  
30/34.1-34.2, 34.05, 32, 41.9, 43-43.92,  
30/47-52, 42-46, 53-55, 57-73, 526-541,  
30/74-84, 195-223, 341, 272.1, 226-227,  
30/231, 233-233.5

See application file for complete search history.

(56) **References Cited**

**U.S. PATENT DOCUMENTS**

D435,936	S	*	1/2001	Long et al.	.....	D28/54
D455,230	S	*	4/2002	Lau	.....	D28/53
D500,392	S	*	12/2004	Buck et al.	.....	D28/54
D534,689	S	*	1/2007	Gross et al.	.....	D28/53
D571,504	S	*	6/2008	Long et al.	.....	D28/54
D577,865	S	*	9/2008	Long et al.	.....	D28/54
D597,253	S	*	7/2009	Eddinger et al.	.....	D28/54

**OTHER PUBLICATIONS**

“Andis USA Professional Envy Professional Hair Clipper Product No. 66215”, [www.andis.com/product.aspx?ProductId=360&product=Envy++Professional+Hair+Clipper](http://www.andis.com/product.aspx?ProductId=360&product=Envy++Professional+Hair+Clipper), accessed on Jan. 6, 2012.

“Andis USA Professional T-Outliner Trimmer with T-blade Product No. 04710”, [www.andis.com/product.aspx?ProductId=19&product=T-Outliner+Trimmer++with+T-blade](http://www.andis.com/product.aspx?ProductId=19&product=T-Outliner+Trimmer++with+T-blade), accessed on Jan. 6, 2012.

“Andis USA Professional Beauty Master Clipper Product No. 19200”, [www.andis.com/product.aspx?ProductId=108&product=Beauty+Master+Clipper](http://www.andis.com/product.aspx?ProductId=108&product=Beauty+Master+Clipper), accessed on Jan. 6, 2012.

“Amazon.com: Andis Easy Style Clipper 60065: Health & Personal Care”, [www.amazon.com/Andis-Easy-Style-Clipper-60065/dp/B003NFZM8O](http://www.amazon.com/Andis-Easy-Style-Clipper-60065/dp/B003NFZM8O), accessed on Jan. 6, 2012.

(Continued)

*Primary Examiner* — Jennifer Rivard

(74) *Attorney, Agent, or Firm* — Michael Best & Friedrich LLP

(57) **CLAIM**

We claim the ornamental design for a hair clipper housing, as shown and described.

**DESCRIPTION**

FIG. 1 is a perspective view of a hair clipper housing.

FIG. 2 is a top view of the design shown in FIG. 1.

FIG. 3 is a bottom view of the design shown in FIG. 1.

FIG. 4 is a right view of the design shown in FIG. 1.

FIG. 5 is a left view of the design shown in FIG. 1.

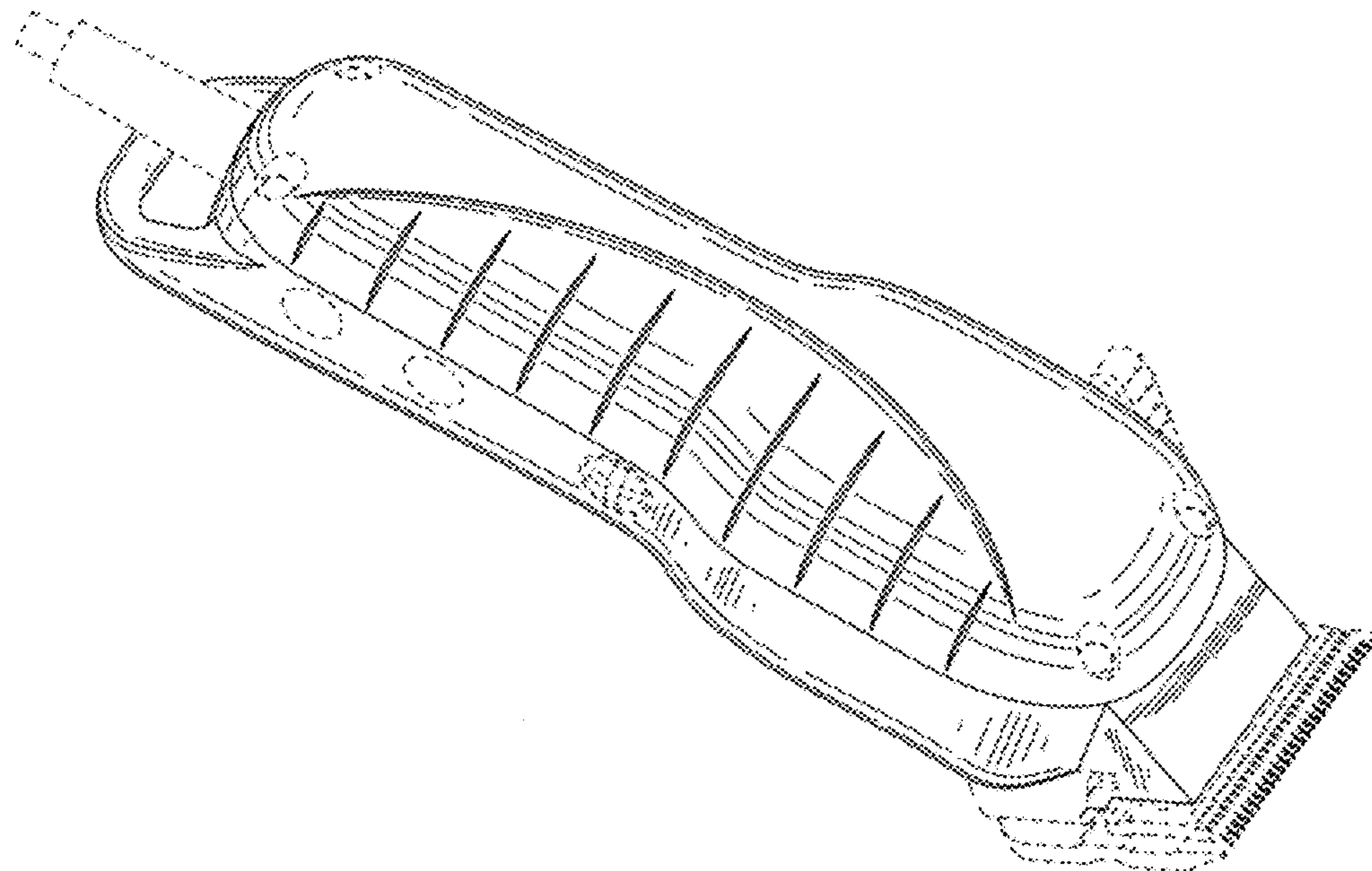
FIG. 6 is a left view of the design shown in FIG. 1, with a portion of the unclaimed environment removed for illustrative purposes.

FIG. 7 is a front view of the design shown in FIG. 1; and,

FIG. 8 is a rear view of the design shown in FIG. 1.

The present application is directed to the shape and contour of the design illustrated in the drawings. The broken line showing of the environment is for illustrative purposes only and forms no part of the claimed designs.

**1 Claim, 8 Drawing Sheets**



OTHER PUBLICATIONS

“Andis USA Professional Ceramic PMX Adjustable Blade Pivot Motor Clipper Product No. 20030”, <http://www.andis.com/product.aspx?ProductId=109&product=Ceramic+PMX++Adjustable+Blade+Pivot+Motor+Clipper>, accessed on Jan. 6, 2012.

Andis USA Professional Ultra 8 Piece Adjustable Clipper Kit Product No. 18365, <http://www.andis.com/product.aspx?ProductID=88&product=Ultra+8+Piece++Adjustable+Clipper+Kit>, accessed on Jan. 6, 2012.

“Amazon.com: Wahl Professional 8355 Designer Professional Vibrator Clipper: Health & Personal Care”, [www.amazon.com/Wahl-Professional-8355-Designer-Vibrator/dp/B000EDNCJO](http://www.amazon.com/Wahl-Professional-8355-Designer-Vibrator/dp/B000EDNCJO), accessed on Jan. 6, 2012.

“Wahlpro.com”, [www.wahlpro.com](http://www.wahlpro.com), accessed on Jan. 6, 2012.

“Amazon.com: Wahl 79300-1001 Home Pro 26-Piece Color-Coded Haircutting Systems: Health & Personal Care”, [www.amazon.com/Wahl-79300-1001-26-Piece-Color-Coded-Haircutting/dp/B00006IVEN](http://www.amazon.com/Wahl-79300-1001-26-Piece-Color-Coded-Haircutting/dp/B00006IVEN), accessed on Jan. 6, 2012.

“Wahl Home Products Color Pro 79300-1001”, [www.wahlhomeproducts.com/Products/HairClippers/HairClippers/79300-1001](http://www.wahlhomeproducts.com/Products/HairClippers/HairClippers/79300-1001), accessed on Jan. 6, 2012.

“Amazon.com: Oster Taler/Topaz Kit: Health & Personal Care”, [www.amazon.com/Oster-Taler-Topaz-Kit/dp/B000VDCDO2/ref=sr\\_1\\_1?s=hpc&ie=UTF8&qid=1323817546&sr=1-1](http://www.amazon.com/Oster-Taler-Topaz-Kit/dp/B000VDCDO2/ref=sr_1_1?s=hpc&ie=UTF8&qid=1323817546&sr=1-1), accessed on Jan. 6, 2012.

“Oster Professional Products”, [www.osterstyle.com/Products.aspx?id=12](http://www.osterstyle.com/Products.aspx?id=12), accessed on Jan. 6, 2012.

“Amazon.com: Conair Custom Cut Haircut Kit, 18-Piece: Health & Personal Care”, [http://www.amazon.com/Conair-Custom-Cut-Haircut-18-Piece/dp/B002CUK9S4/ref=sr\\_1\\_1?s=hpc&ie=UTF8&qid=1323817894&sr=1-1](http://www.amazon.com/Conair-Custom-Cut-Haircut-18-Piece/dp/B002CUK9S4/ref=sr_1_1?s=hpc&ie=UTF8&qid=1323817894&sr=1-1), accessed on Jan. 6, 2012.

“Conair.com—Personal Grooming > Clippers > Premium > Model Hc244gbv”, [www.conair.com/custom-cut-18-piece-haircut-kit-p-791.html](http://www.conair.com/custom-cut-18-piece-haircut-kit-p-791.html), accessed on Jan. 6, 2012.

“Amazon.com: Conair HCT21 Cut N? Detail Haircut Kit: Health & Personal Care”, [www.amazon.com/Conair-HCT21-Cut-Detail-Haircut/dp/B004VFHEZ4/ref=sr\\_1\\_1?ie=UTF8&qid=1323817854&sr=8-1](http://www.amazon.com/Conair-HCT21-Cut-Detail-Haircut/dp/B004VFHEZ4/ref=sr_1_1?ie=UTF8&qid=1323817854&sr=8-1), accessed on Jan. 6, 2012.

“Conair.com—Personal Grooming > Clippers > Premium > Model Hct21”, [www.conair.com/cut-n-detail-24-piece-chrome-haircut-kit-p-1151-54\\_17\\_145.html](http://www.conair.com/cut-n-detail-24-piece-chrome-haircut-kit-p-1151-54_17_145.html), accessed on Jan. 6, 2012.

\* cited by examiner



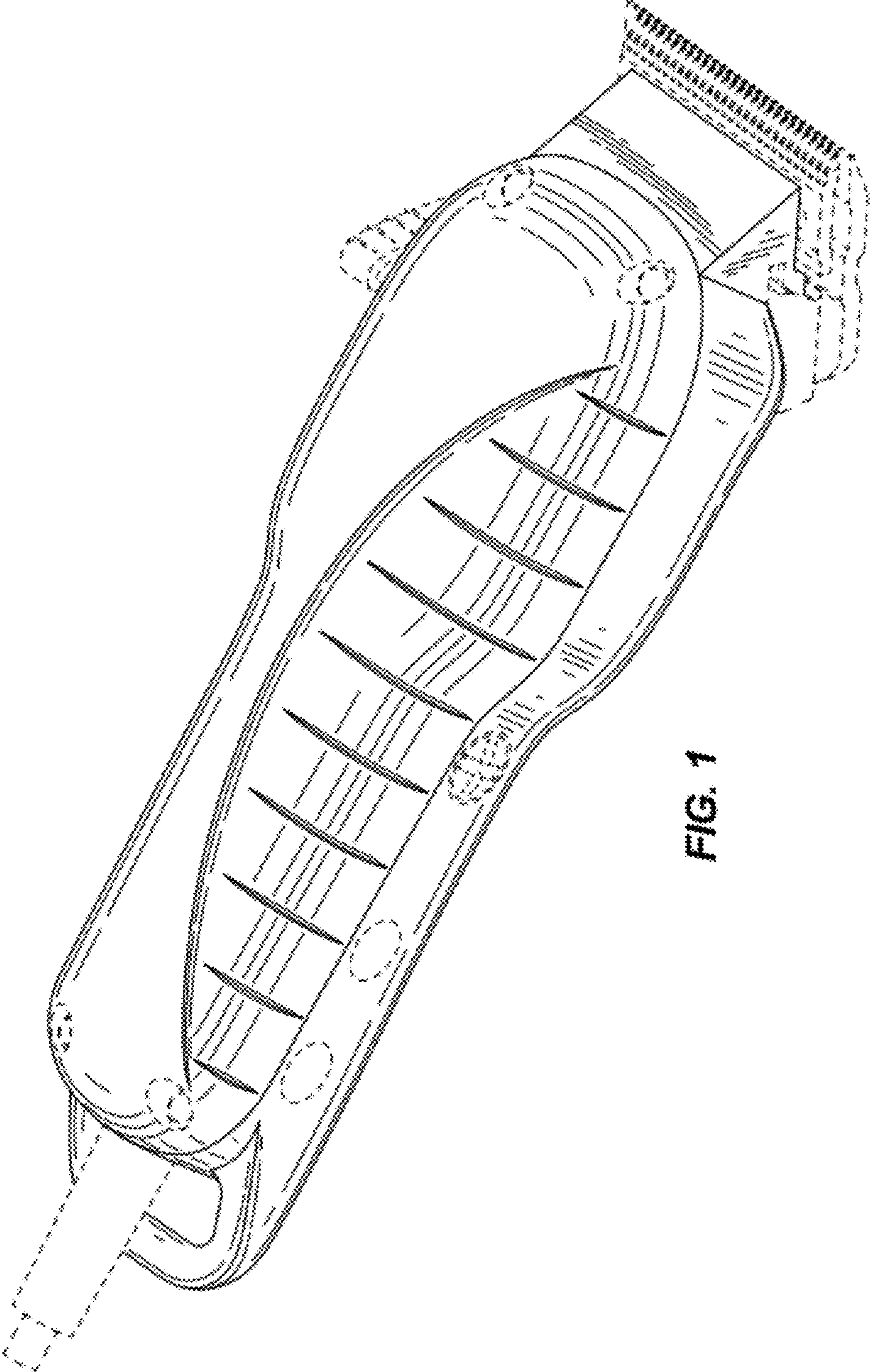


FIG. 1

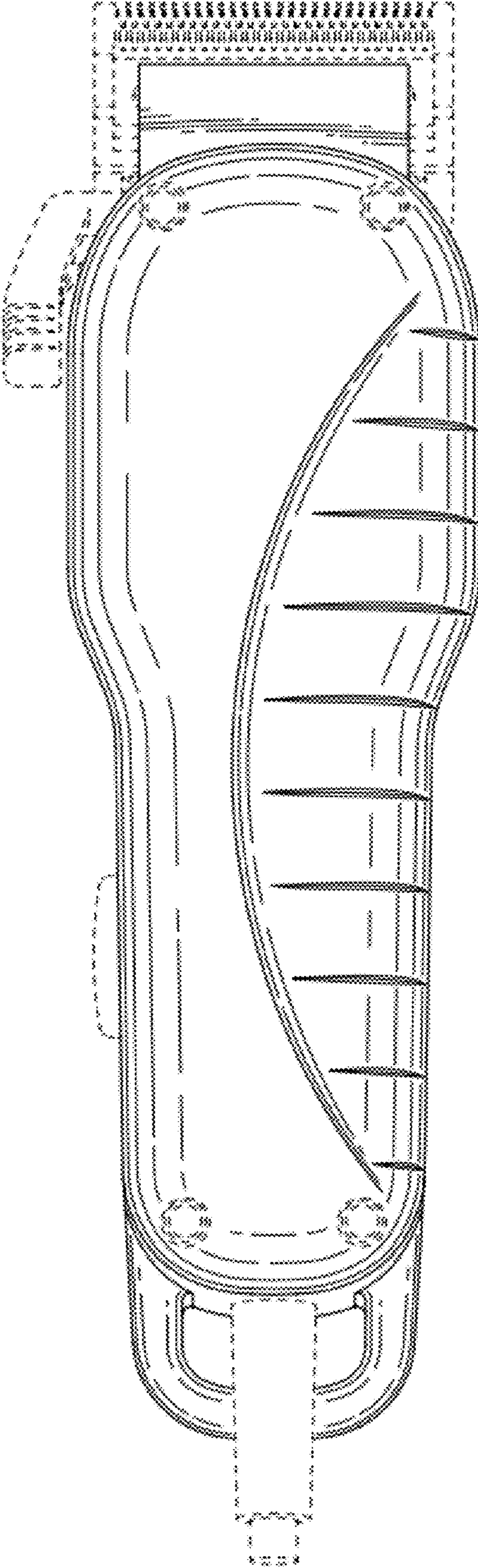


FIG. 2

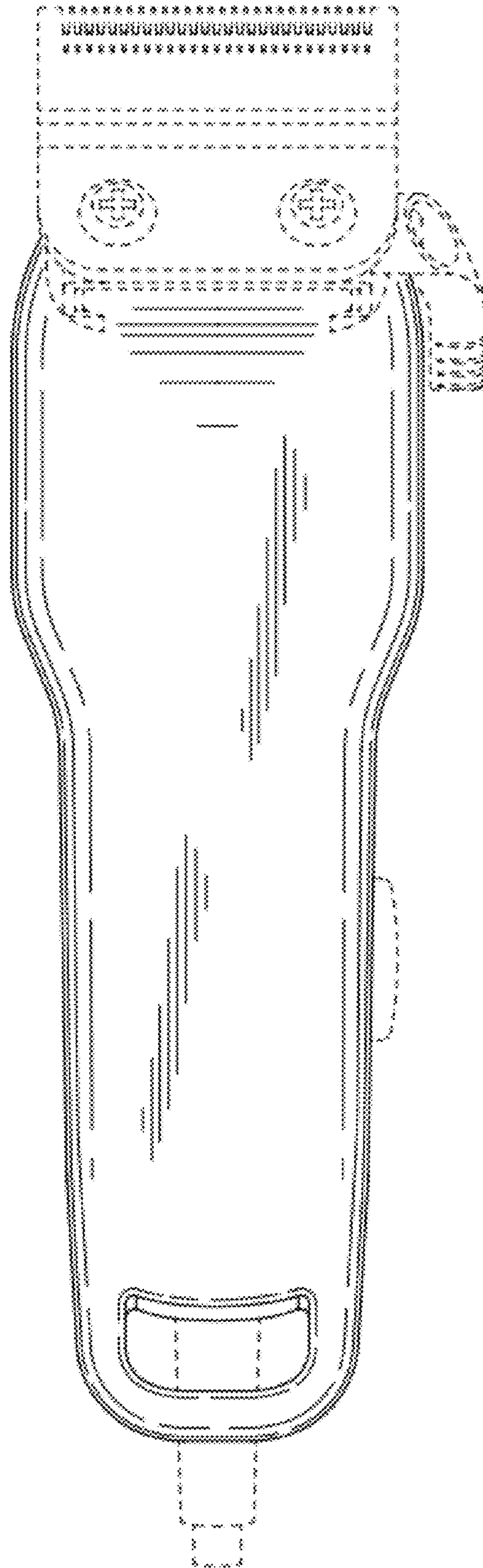


FIG. 3



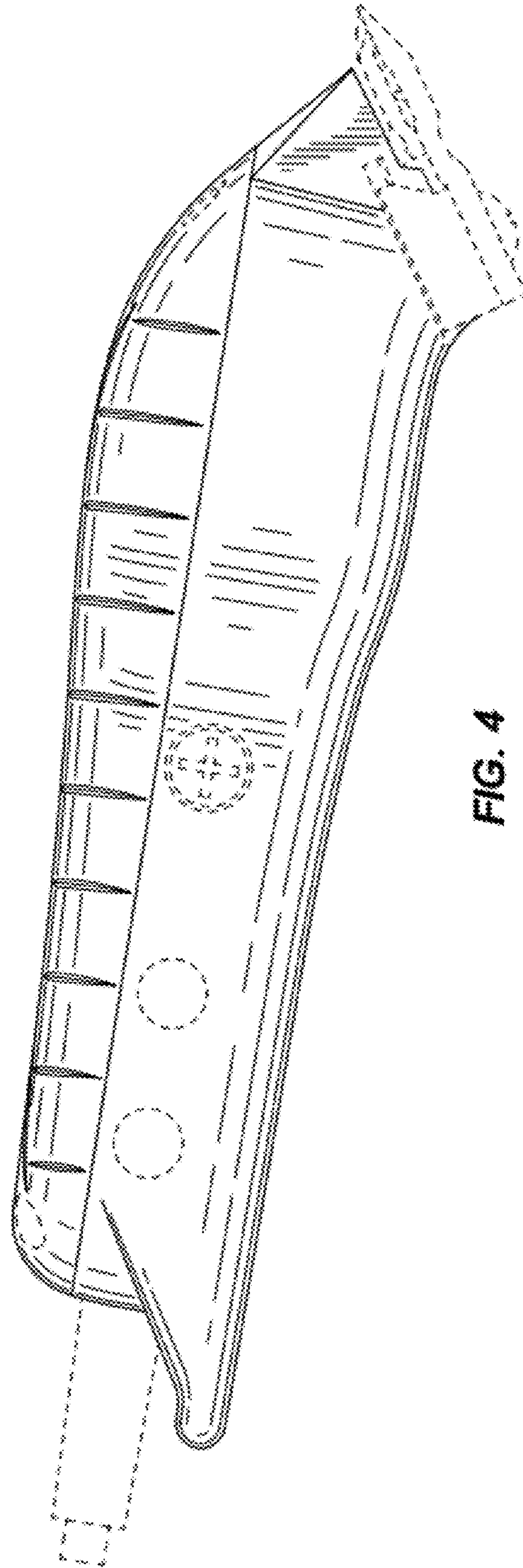


FIG. 4

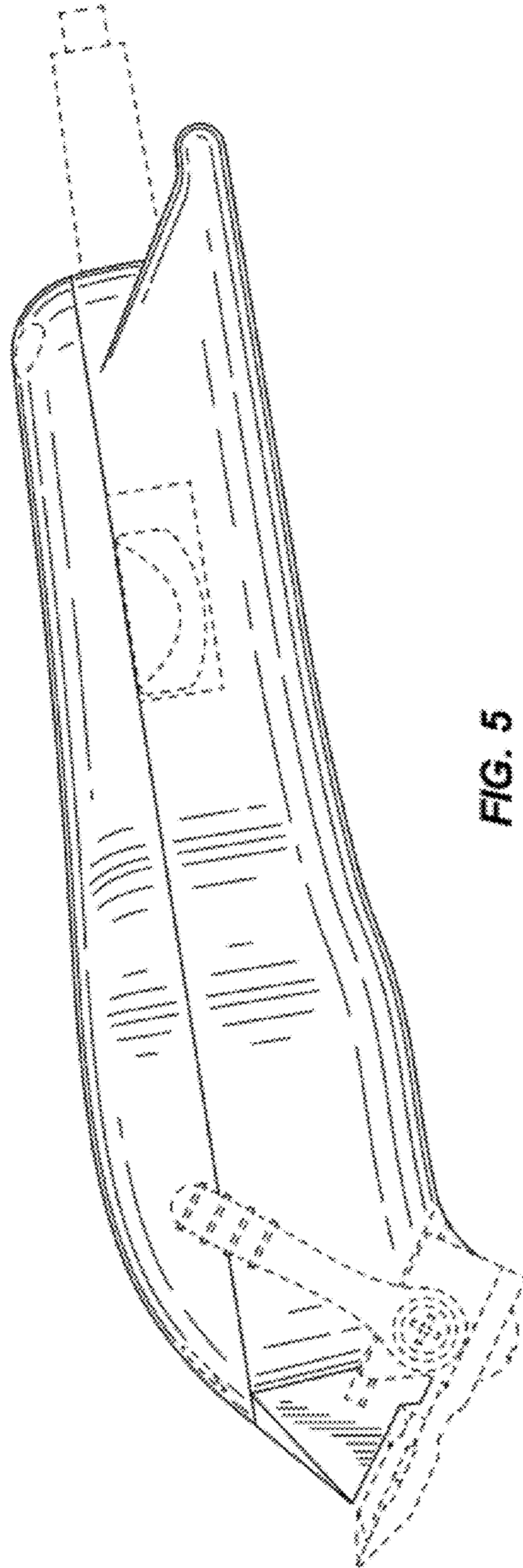


FIG. 5

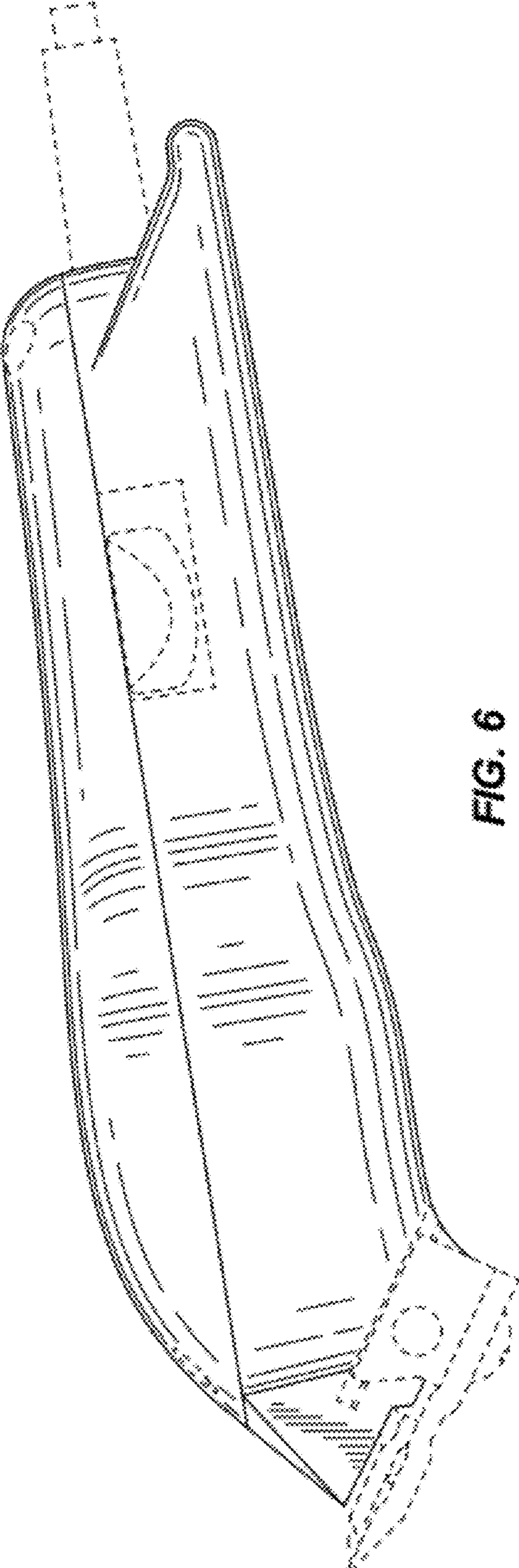


FIG. 6



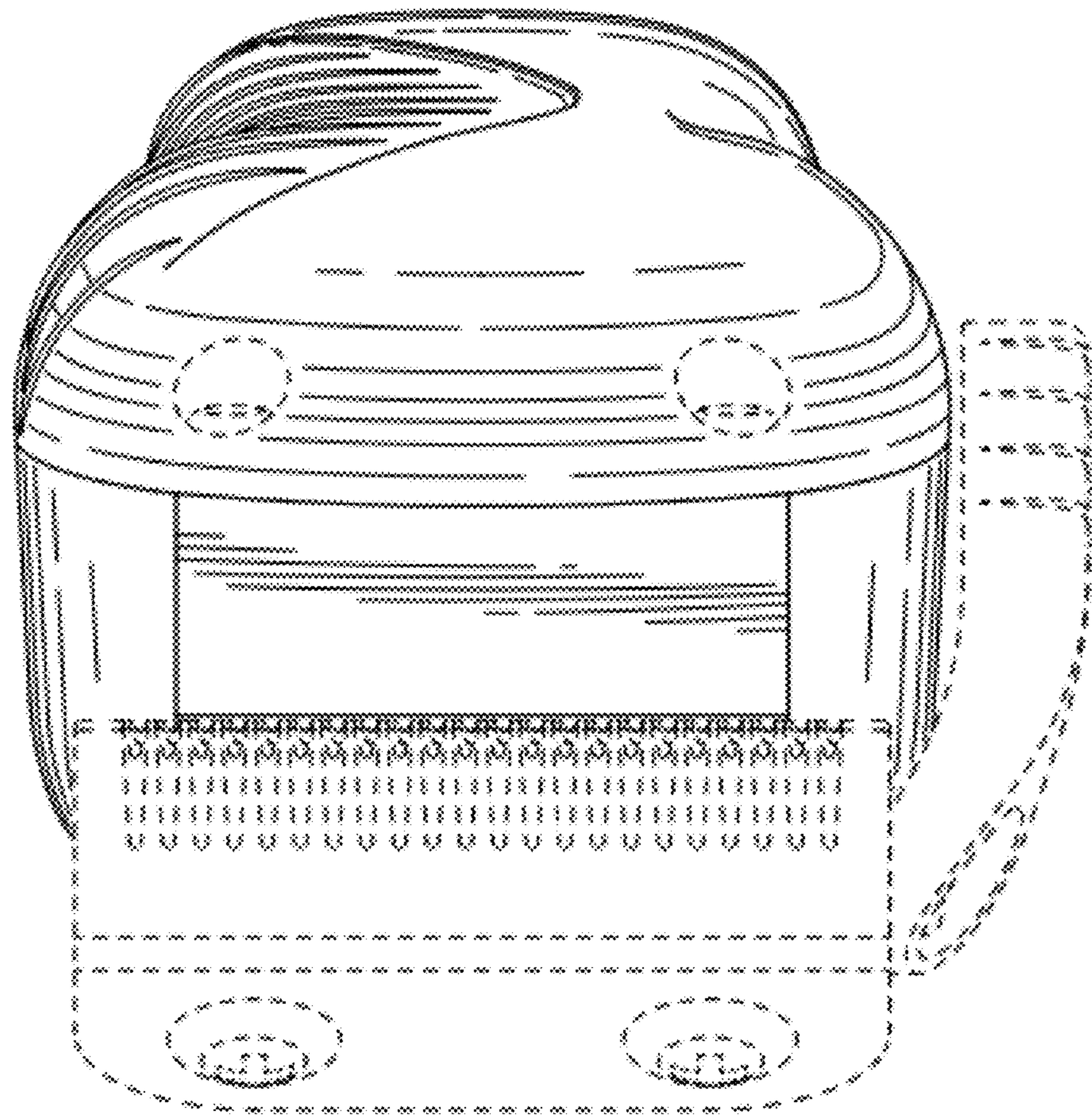
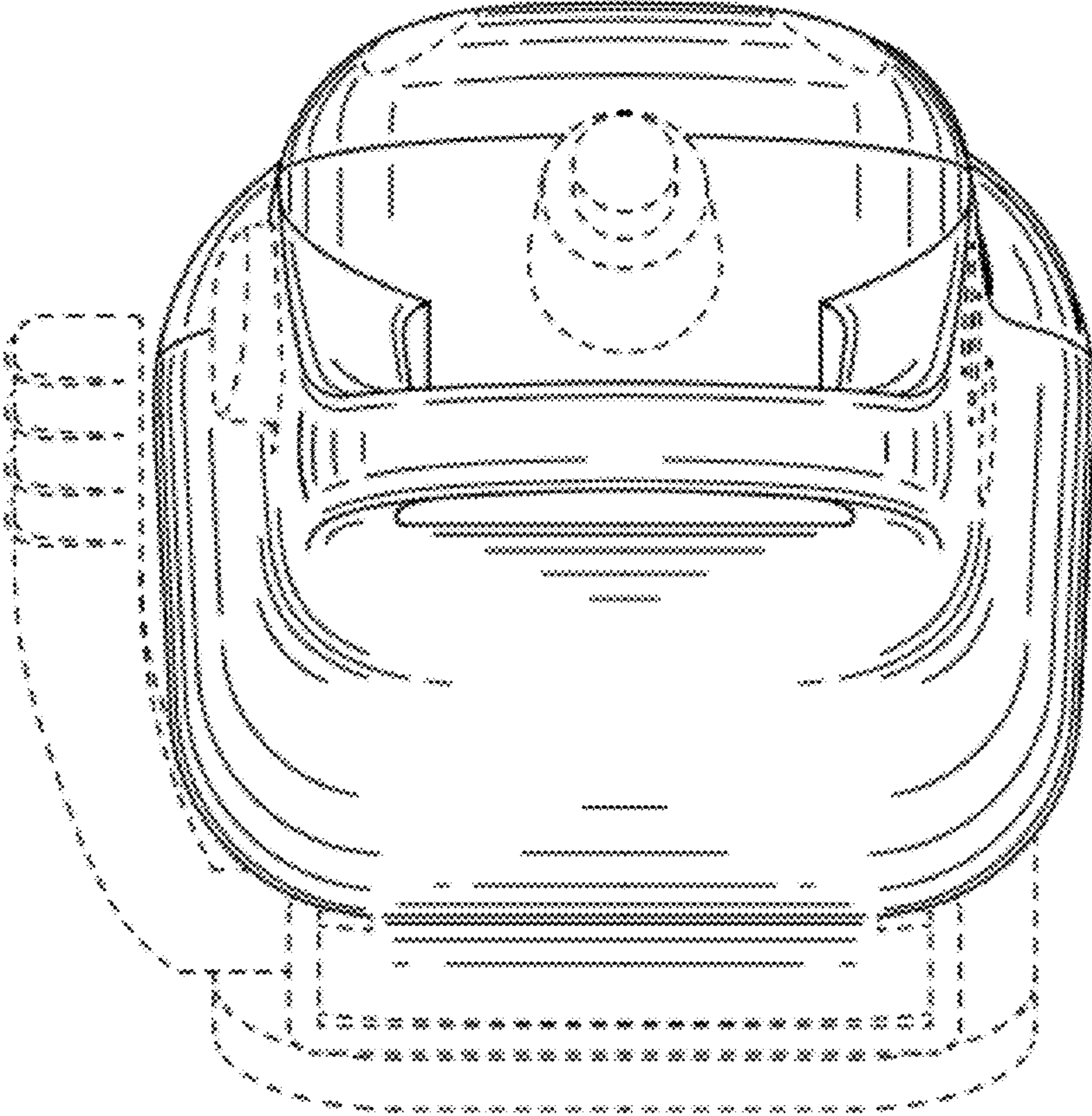


FIG. 7



**FIG. 8**