



US00D673729S

(12) **United States Design Patent**  
**Howell**

(10) **Patent No.:** **US D673,729 S**  
(45) **Date of Patent:** **\*\* Jan. 1, 2013**

(54) **STRIKER**

(75) Inventor: **Andrew Howell**, Cardiff (GB)

(73) Assignee: **BCB International Limited**, Cardiff (GB)

(\*\*) Term: **14 Years**

(21) Appl. No.: **29/402,105**

(22) Filed: **Sep. 21, 2011**

(51) **LOC (9) Cl.** ..... **27-03**

(52) **U.S. Cl.** ..... **D27/138**

(58) **Field of Classification Search** ..... D27/12,  
D27/137, 100, 186, 189, 191, 190, 187, 188,  
D27/138, 139, 140, 101, 102, 105, 141, 142,  
D27/143, 144, 163, 164, 167, 168, 169, 172,  
D27/175, 193, 194; 131/173, 270, 187, 280,  
131/360, 361, 364, 365, 349, 273, 282, 283,  
131/330, 329, 174, 175, 231, 234, 358, 359,  
131/362, 363; D8/14, 15; D9/500, 558,  
D9/565, 545, 423; D3/295; 206/87, 268,  
206/85, 86; 431/273

See application file for complete search history.

(56) **References Cited**

**U.S. PATENT DOCUMENTS**

D116,179	S	*	8/1939	Yates, Jr.	.....	D8/17
2,605,944	A	*	8/1952	Maurice	.....	224/101
3,402,029	A	*	9/1968	Sampson, Jr. et al.	.....	431/6
D275,258	S	*	8/1984	Albrecht	.....	D8/17
D294,649	S	*	3/1988	Carr et al.	.....	D7/416
D296,016	S	*	5/1988	Carr et al.	.....	D7/416
4,783,867	A	*	11/1988	Tsao	.....	7/160
4,944,392	A	*	7/1990	Hull et al.	.....	206/102
5,214,853	A	*	6/1993	Bray et al.	.....	30/183
5,279,628	A	*	1/1994	Hutchens et al.	.....	44/507

5,919,037	A	*	7/1999	Brillhart et al.	.....	431/273
D414,995	S	*	10/1999	Hsieh	.....	D8/17
6,142,769	A	*	11/2000	Walker	.....	431/253
D456,559	S	*	4/2002	Chandaria	.....	D27/139
6,782,576	B1	*	8/2004	Valencic et al.	.....	7/158
D566,494	S	*	4/2008	Karl	.....	D8/14
D628,866	S	*	12/2010	Serret	.....	D8/17
D642,027	S	*	7/2011	Serret	.....	D8/17
8,186,995	B2	*	5/2012	Putrello, Jr.	.....	431/273

**OTHER PUBLICATIONS**

BCB International Ltd., "Extract of Applicant's Website, Products Detail", [http://www.bcb.in.com/products/product\\_details.php?category=bushcraft&product=Tools](http://www.bcb.in.com/products/product_details.php?category=bushcraft&product=Tools), Retrieved May 22, 2012.

\* cited by examiner

*Primary Examiner* — Kevin Rudzinski

(74) *Attorney, Agent, or Firm* — Ryan A. Schneider, Esq.; Troutman Sanders LLP

(57) **CLAIM**

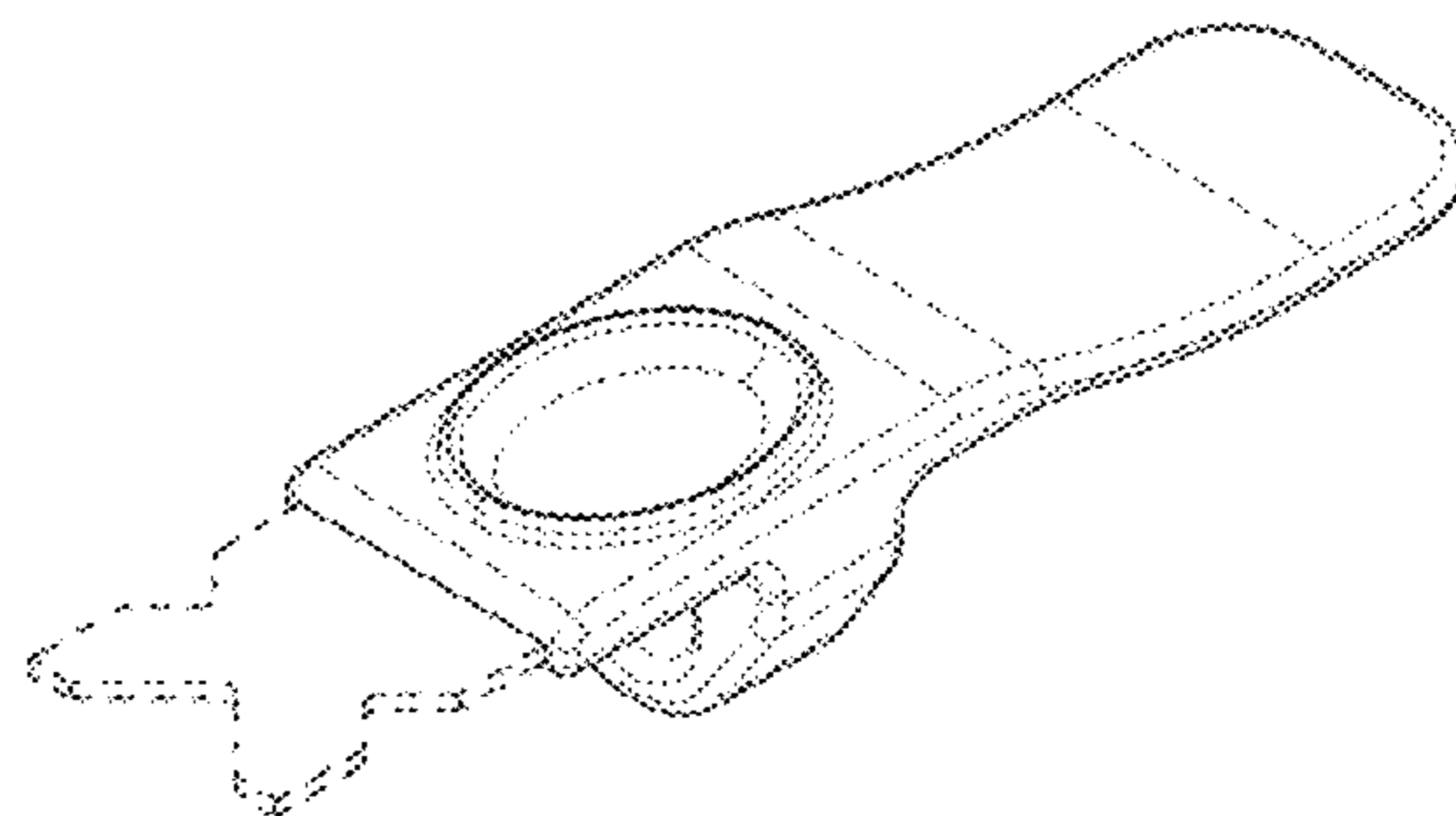
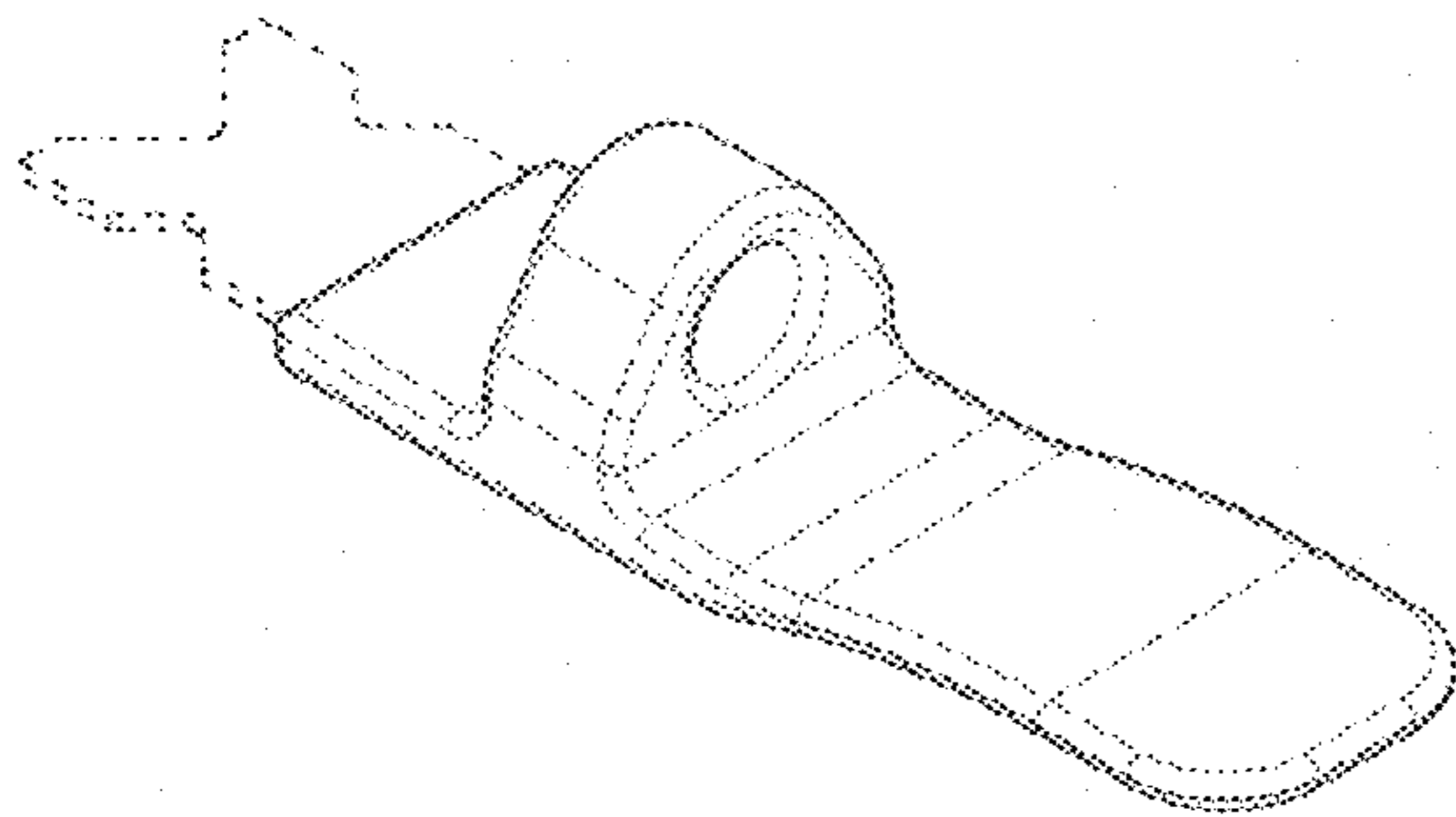
The ornamental design for a striker, as shown and described.

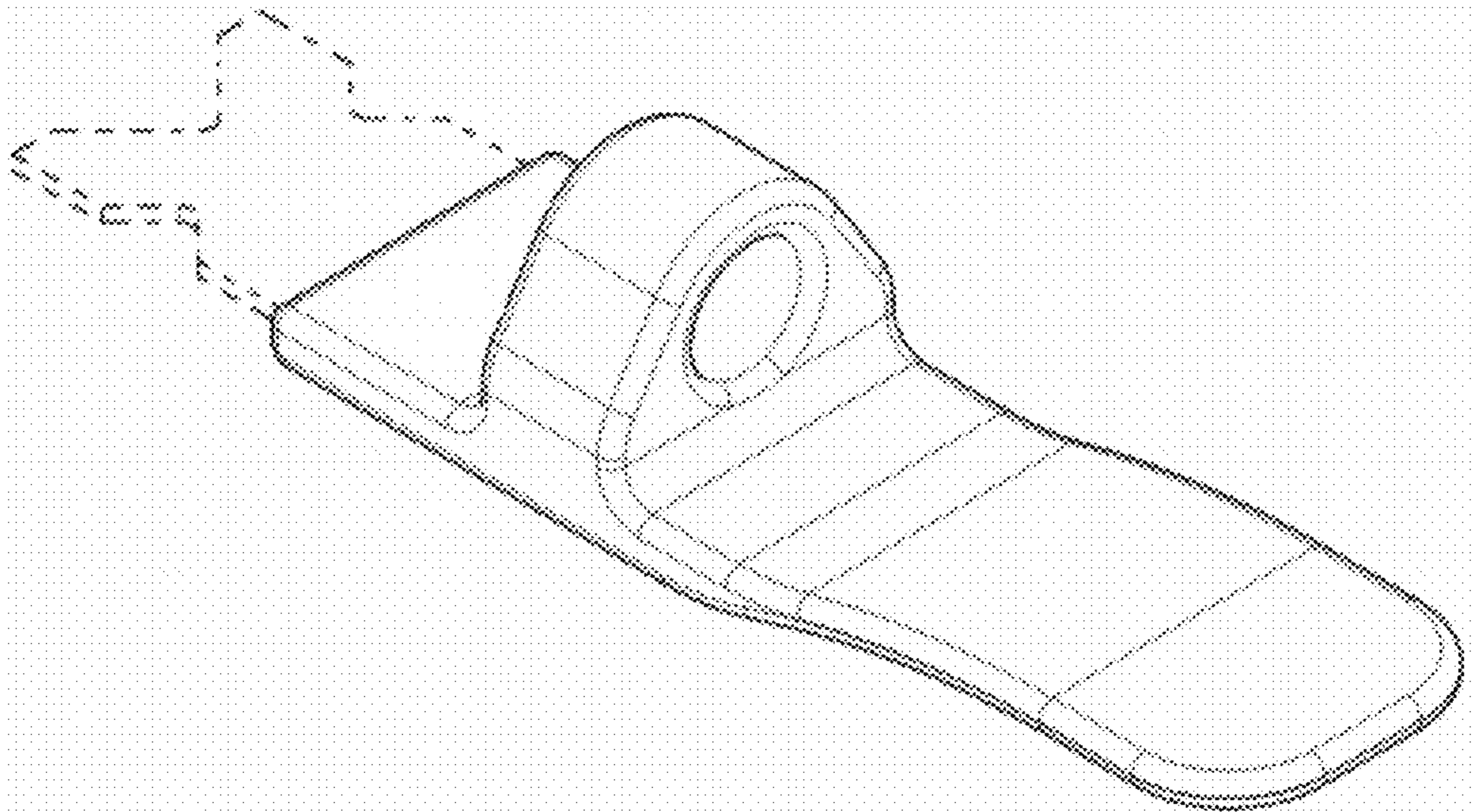
**DESCRIPTION**

FIG. 1 is a bottom, perspective view of the present invention; FIG. 2 is a top, perspective view thereof; FIG. 3 is a side elevational view thereof; FIG. 4 is the other side elevational view thereof; FIG. 5 is a back elevational view thereof; FIG. 6 is a front elevational view thereof; FIG. 7 is a bottom plan view thereof; and, FIG. 8 is a top elevational view thereof.

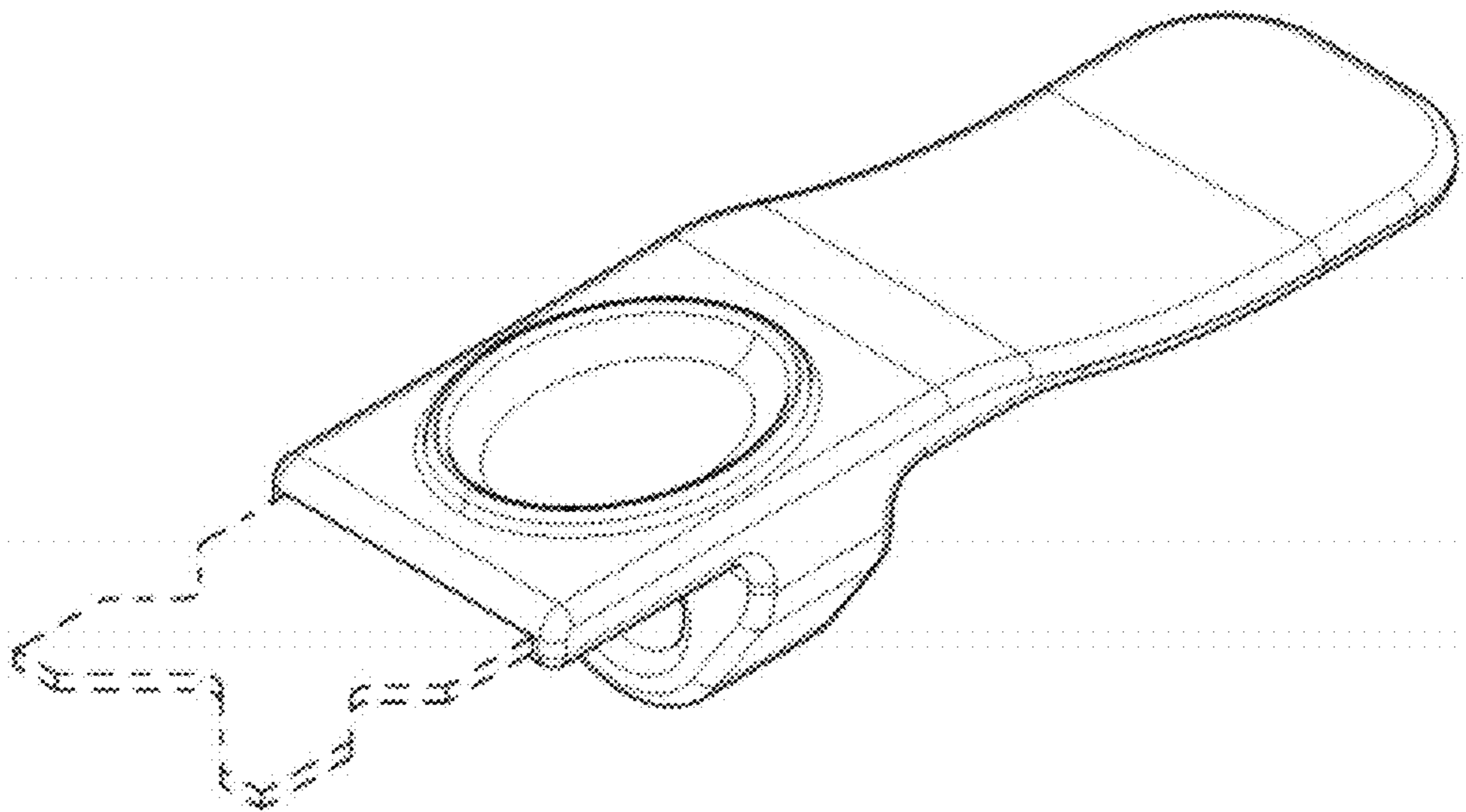
The broken, dashed lines shown in the various figures depicting embodiments of the invention are included for the purpose of illustrating environment and do not form any part of the claimed design.

**1 Claim, 4 Drawing Sheets**

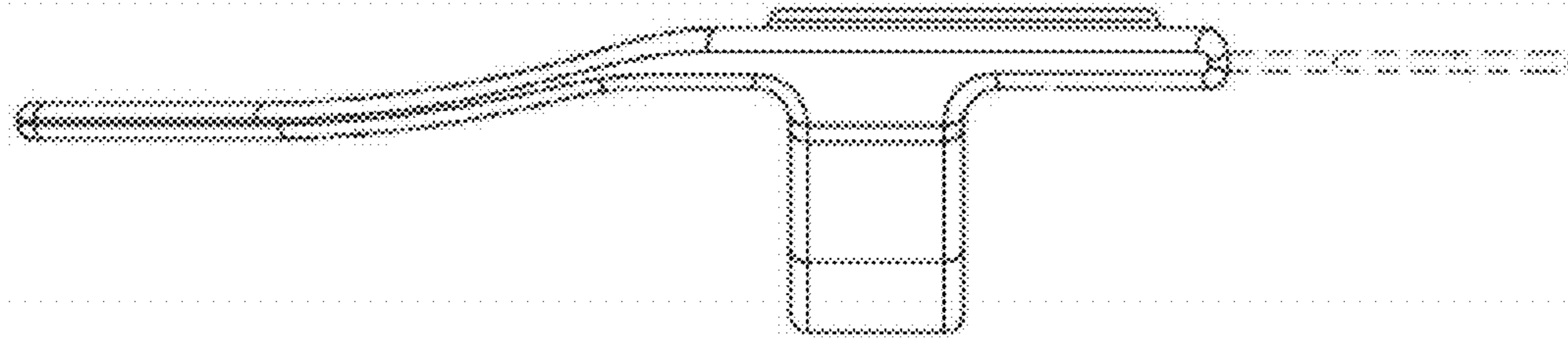




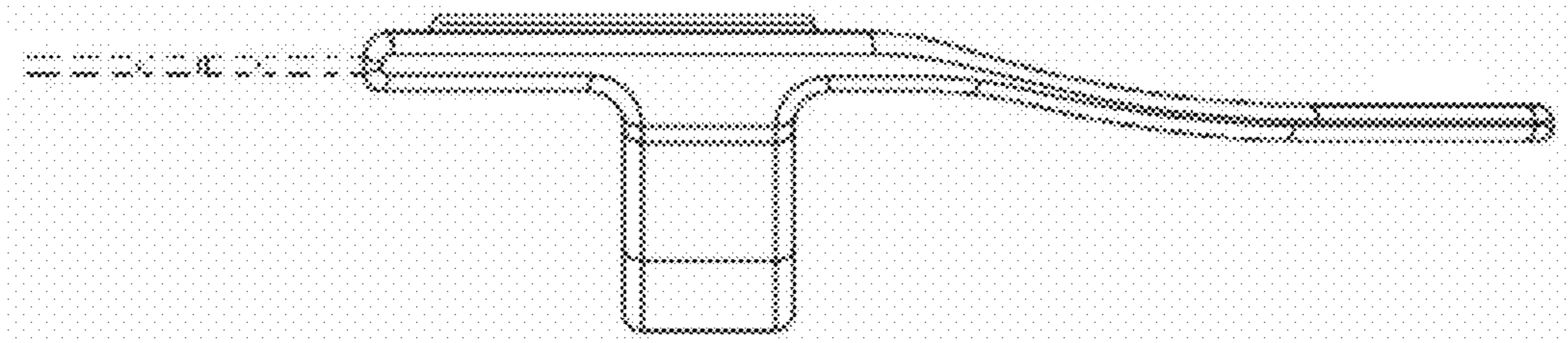
**Fig. 1**



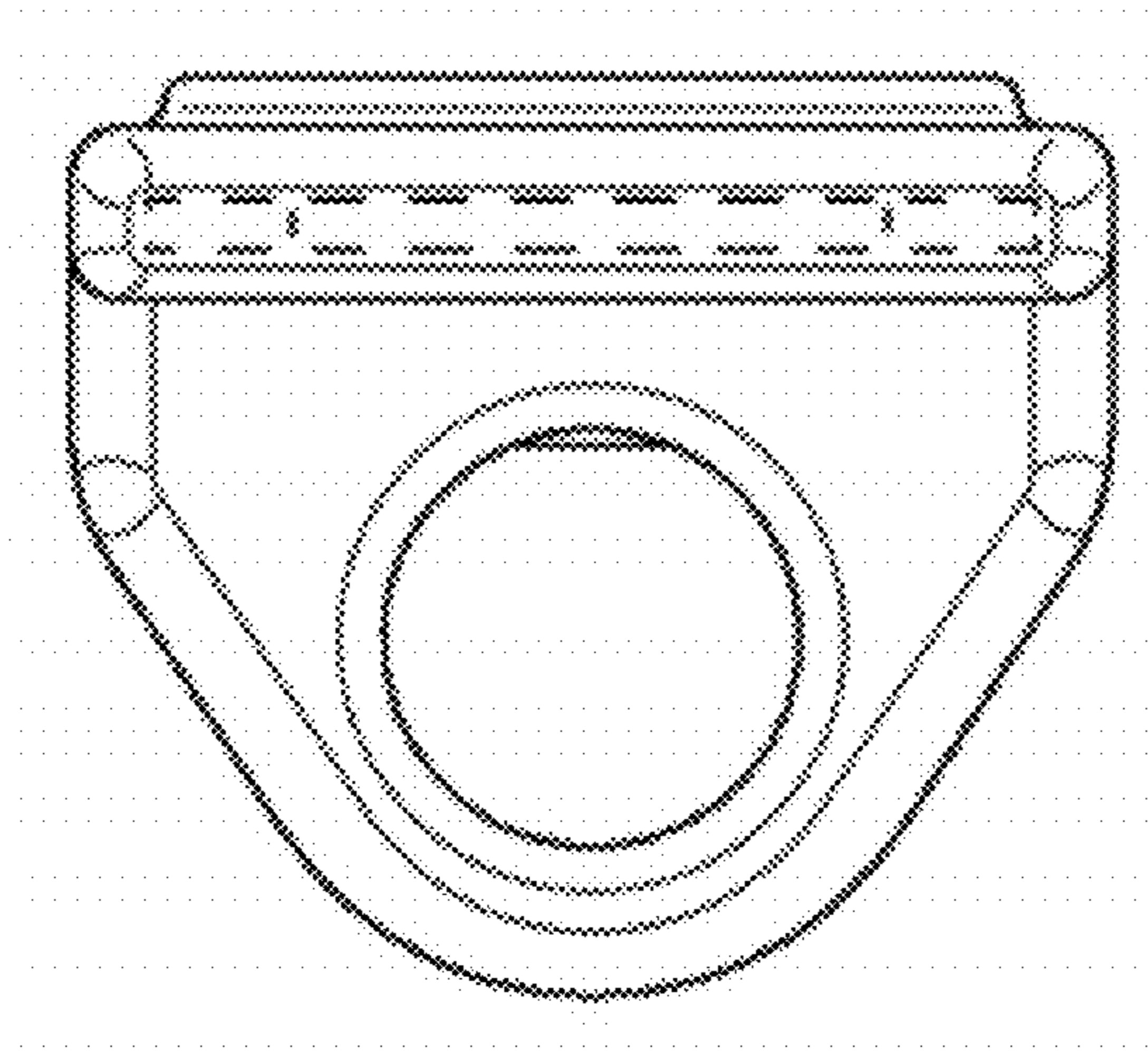
**Fig. 2**



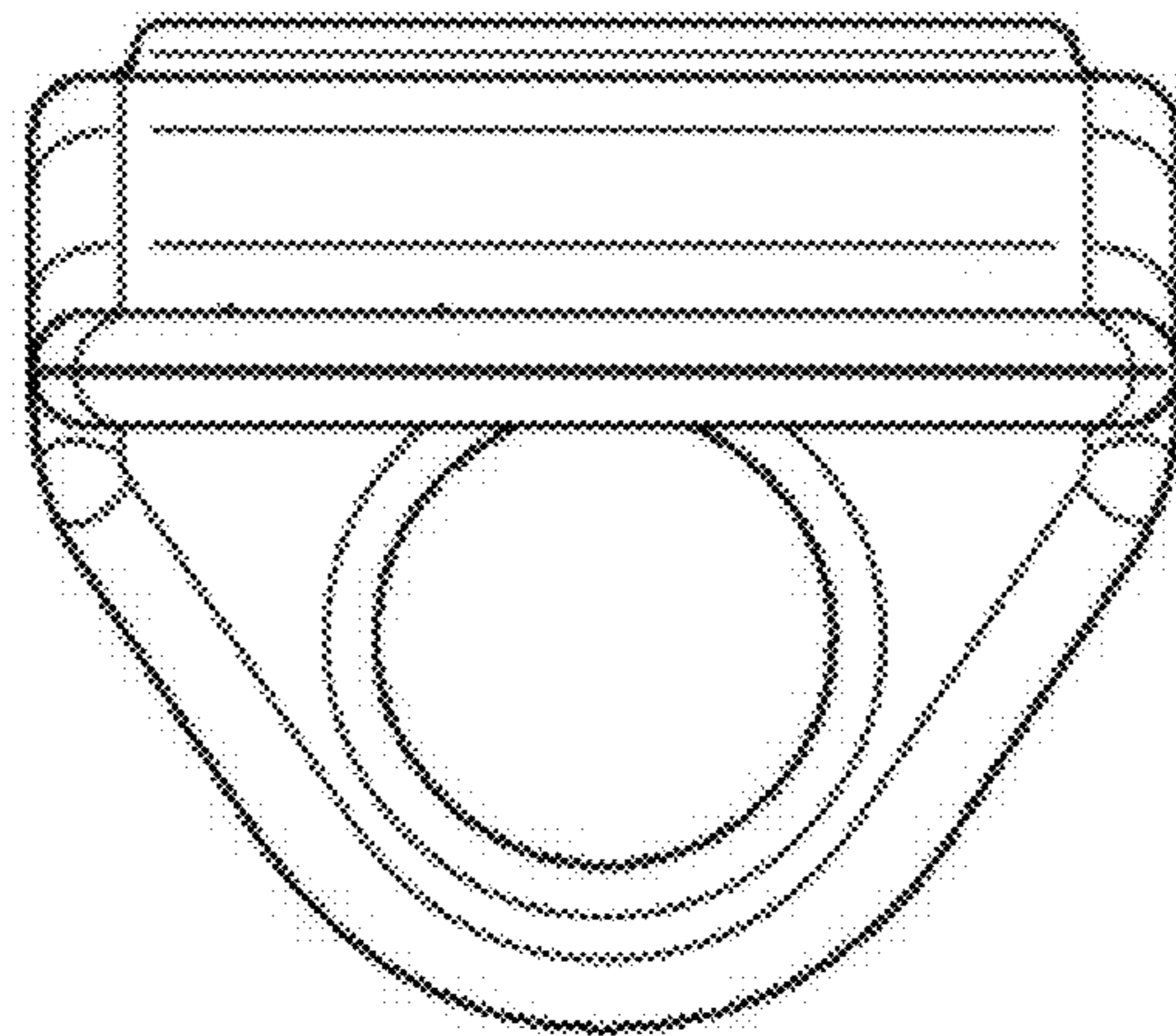
**Fig. 3**



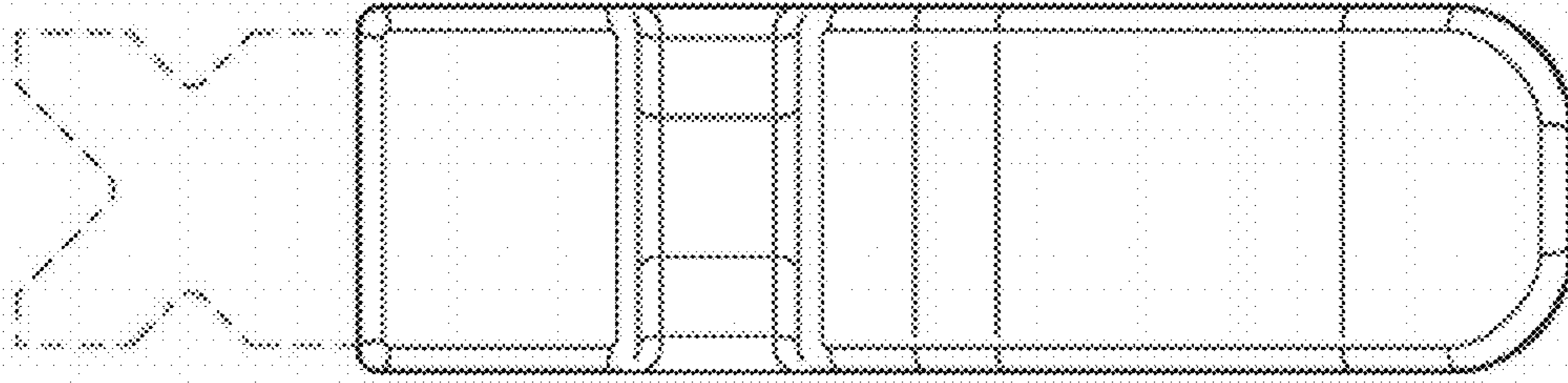
**Fig. 4**



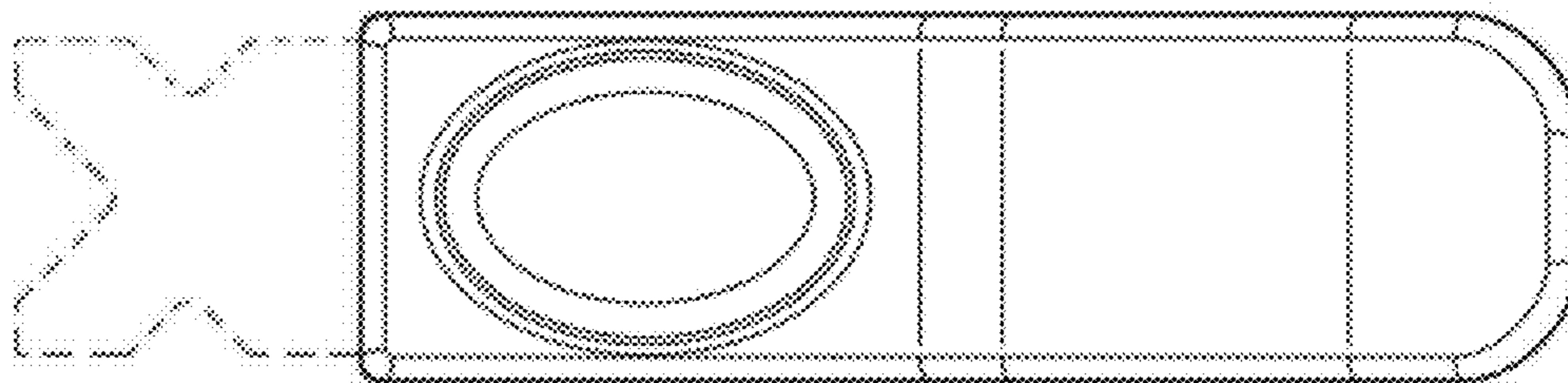
**Fig. 5**



**Fig. 6**



**Fig. 7**



**Fig. 8**