



US00D673722S

(12) **United States Design Patent**  
**Cartwright**

(10) **Patent No.:** **US D673,722 S**  
(45) **Date of Patent:** **\*\* Jan. 1, 2013**

- (54) **LAMP BASE WITH FINIAL**
- (76) Inventor: **Carolyn Cartwright**, New York, NY  
(US)
- (\*\*) Term: **14 Years**
- (21) Appl. No.: **29/425,251**
- (22) Filed: **Jun. 21, 2012**
- (51) **LOC (9) Cl.** ..... **26-99**
- (52) **U.S. Cl.** ..... **D26/138**
- (58) **Field of Classification Search** ..... D26/26,  
D26/118, 154, 155, 156, 145, 138, 139, 140,  
D26/142, 141, 143, 144, 152, 153, 151, 150,  
D26/148, 149, 76, 77, 78, 79, 62, 64, 63,  
D26/65, 66, 67, 71, 72, 2, 113, 119, 120,  
D26/121, 103, 110, 20, 9, 10, 93, 87, 11;  
362/362, 326, 147, 294; D9/500, 543; D11/146,  
D11/155, 154, 153, 152, 121, 125, 131; D8/378,  
D8/312; D23/238, 241, 252  
See application file for complete search history.

- D340,404 S \* 10/1993 Prezner ..... D8/378
- D358,115 S \* 5/1995 Rahr ..... D11/144
- D359,369 S \* 6/1995 Caplette et al. .... D26/11
- D375,605 S \* 11/1996 Balish, Jr. .... D26/87
- D389,041 S \* 1/1998 Smiley et al. .... D8/378
- D389,947 S \* 1/1998 Hutton ..... D26/110
- D391,476 S \* 3/1998 Gourlay ..... D8/376
- D392,764 S \* 3/1998 Balish, Jr. .... D26/85
- D395,227 S \* 6/1998 Smiley et al. .... D8/378
- D413,172 S \* 8/1999 Belschner ..... D26/11
- D417,609 S \* 12/1999 Englof ..... D8/378
- D429,835 S \* 8/2000 Hammar ..... D26/81
- D435,311 S \* 12/2000 Dolan ..... D26/110
- D441,489 S \* 5/2001 Hutton ..... D26/110
- D448,097 S \* 9/2001 Bodum ..... D26/9
- D452,036 S \* 12/2001 Johnson ..... D26/153

(Continued)

Primary Examiner — Kevin Rudzinski

(57) **CLAIM**  
The ornamental design for a lamp base with finial, as shown and described.

**DESCRIPTION**

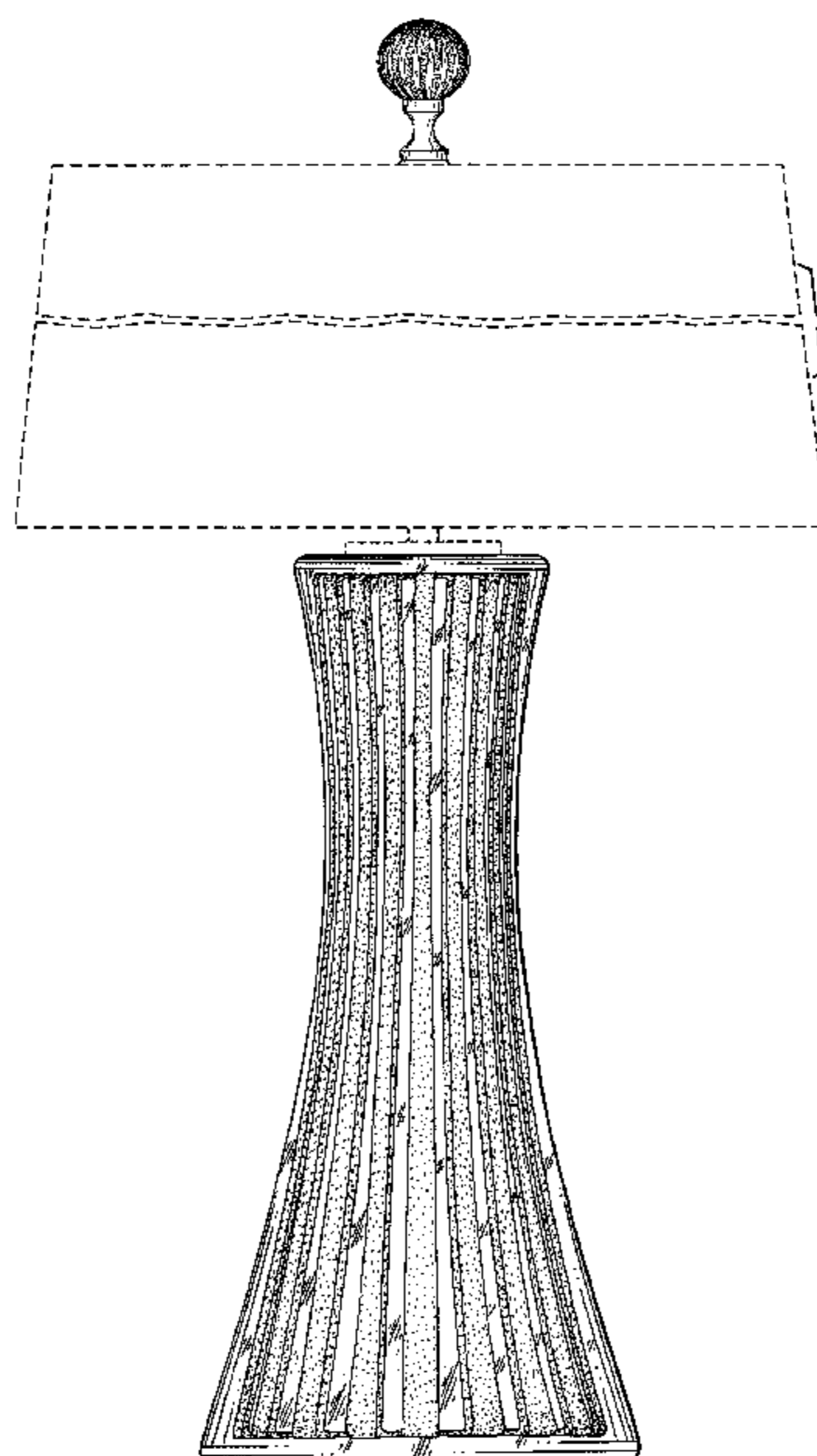
FIG. 1 is a side view of the lamp base with finial, with all sides being the same, the stippling representing a contrasting color; FIG. 2 is an enlarged view of FIG. 1 shown with the finial removed from lamp base for ease of illustration; FIG. 3 is a top view of FIG. 2, shown with the finial and unclaimed lampshade removed for ease of illustration; FIG. 4 is a bottom view of FIG. 2, shown with the finial and unclaimed lampshade removed for ease of illustration; FIG. 5 is a side view of the finial of the lamp base with finial shown in FIG. 1 shown separated from the lamp base and enlarged for clarity; and, FIG. 6 is a top view of FIG. 5. The broken lines represent environment of use and form no part of the claim.

**1 Claim, 4 Drawing Sheets**

(56) **References Cited**

U.S. PATENT DOCUMENTS

- D63,125 S \* 10/1923 Steffen ..... D26/110
- D110,858 S \* 8/1938 Egerton ..... D21/458
- D175,208 S \* 7/1955 Borowitz ..... D26/110
- D181,301 S \* 10/1957 Loewy ..... D7/300
- D187,335 S \* 3/1960 Engel ..... D26/110
- D205,028 S \* 6/1966 Greenberg ..... D8/312
- D269,665 S \* 7/1983 Lehr ..... D11/141
- D271,241 S \* 11/1983 Vrignaud ..... D26/85
- D283,449 S \* 4/1986 Greenspan ..... D26/103
- 4,637,941 A \* 1/1987 Rochte ..... 428/8
- D294,012 S \* 2/1988 Patricko ..... D11/128
- D295,145 S \* 4/1988 Jeanjean ..... D7/300
- D304,164 S \* 10/1989 Rochte ..... D11/131
- D305,356 S \* 1/1990 Delepine ..... D23/250
- 5,130,169 A \* 7/1992 DeJaynes ..... 428/7



# US D673,722 S

Page 2

## U.S. PATENT DOCUMENTS

D461,021 S *	7/2002	Stokes	.....	D26/110	D554,278 S *	10/2007	Williams	.....	D26/9
D461,399 S *	8/2002	Kumar	.....	D8/379	D560,025 S *	1/2008	Shulem	.....	D26/142
D462,138 S *	8/2002	Stokes	.....	D26/110	D560,026 S *	1/2008	Shulem	.....	D26/142
D468,044 S *	12/2002	Lam	.....	D26/72	D567,436 S *	4/2008	Bentivoglio et al.	.....	D26/154
D490,696 S *	6/2004	Calig et al.	.....	D8/378	D570,613 S *	6/2008	Ricereto	.....	D6/323
D492,582 S *	7/2004	Graves et al.	.....	D8/378	D585,151 S *	1/2009	Izardel	.....	D26/60
D493,703 S *	8/2004	Graves et al.	.....	D8/378	D586,031 S *	2/2009	Urquiola	.....	D26/105
D495,593 S *	9/2004	Graves et al.	.....	D8/378	D589,178 S *	3/2009	Conway	.....	D26/20
D497,027 S *	10/2004	Leddusire	.....	D26/110	D591,869 S *	5/2009	Hurel	.....	D26/9
D497,029 S *	10/2004	Leddusire	.....	D26/110	D605,811 S *	12/2009	Salatto-Rose	.....	D26/94
D498,701 S *	11/2004	Libuda et al.	.....	D11/125	D612,659 S *	3/2010	Kehoe	.....	D7/316
D507,964 S *	8/2005	File et al.	.....	D8/378	D614,343 S *	4/2010	Chiu	.....	D26/93
D523,167 S *	6/2006	Dolan	.....	D26/110	D653,989 S *	2/2012	Falduto et al.	.....	D11/146
D530,444 S *	10/2006	Girard	.....	D26/153	D656,663 S *	3/2012	Son	.....	D26/118
D535,776 S *	1/2007	Dolan	.....	D26/84	2009/0049743 A1 *	2/2009	Lewis, Jr.	.....	47/41.01
D536,478 S *	2/2007	McMinn	.....	D26/118					

\* cited by examiner

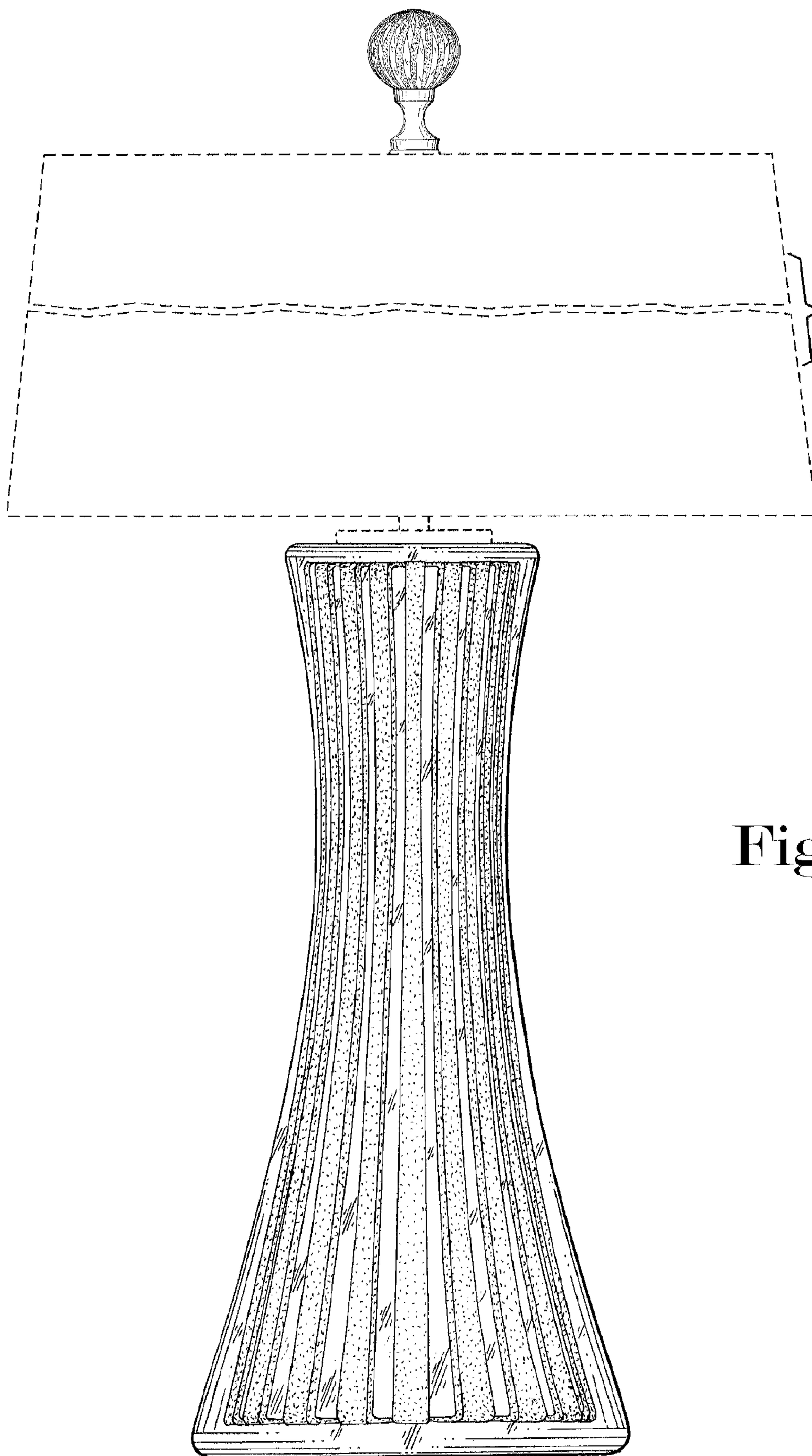


Fig. 1

Fig. 2

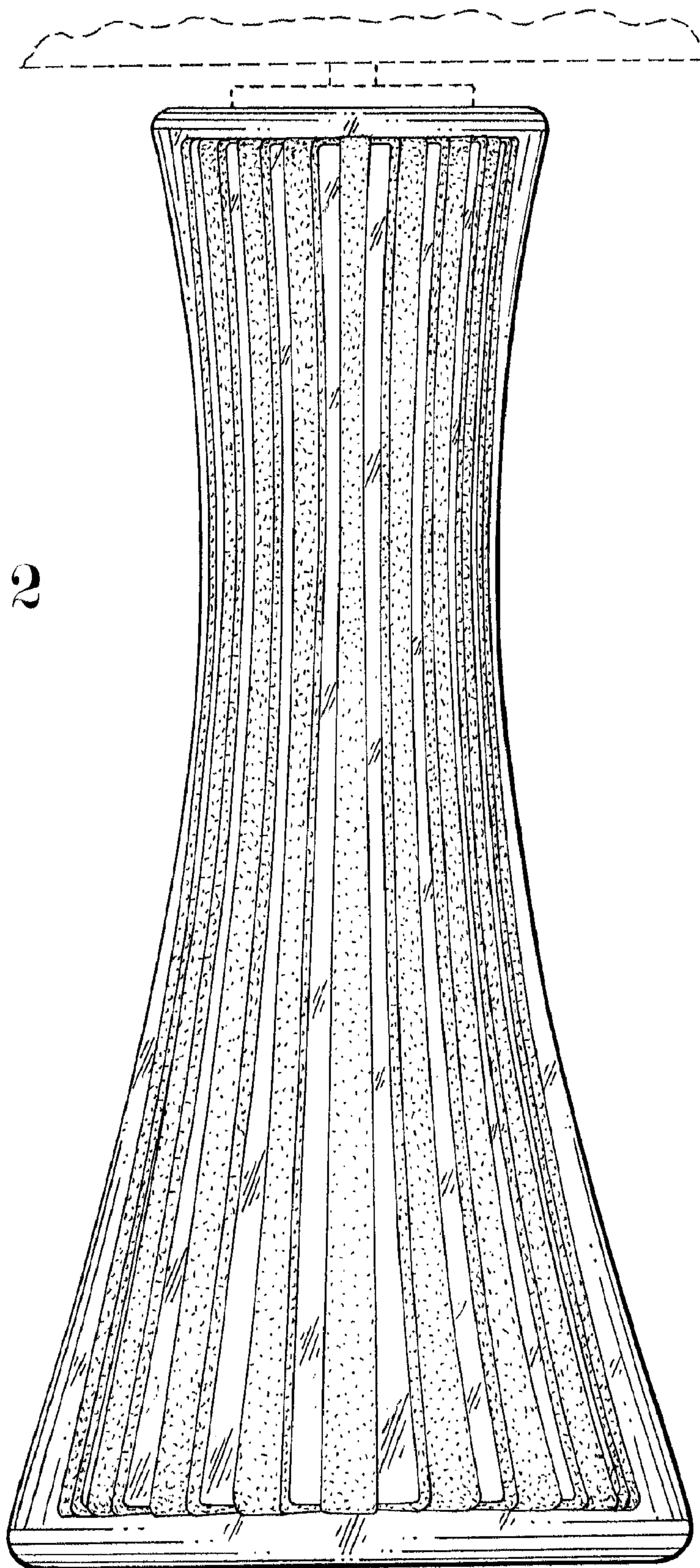


Fig. 3

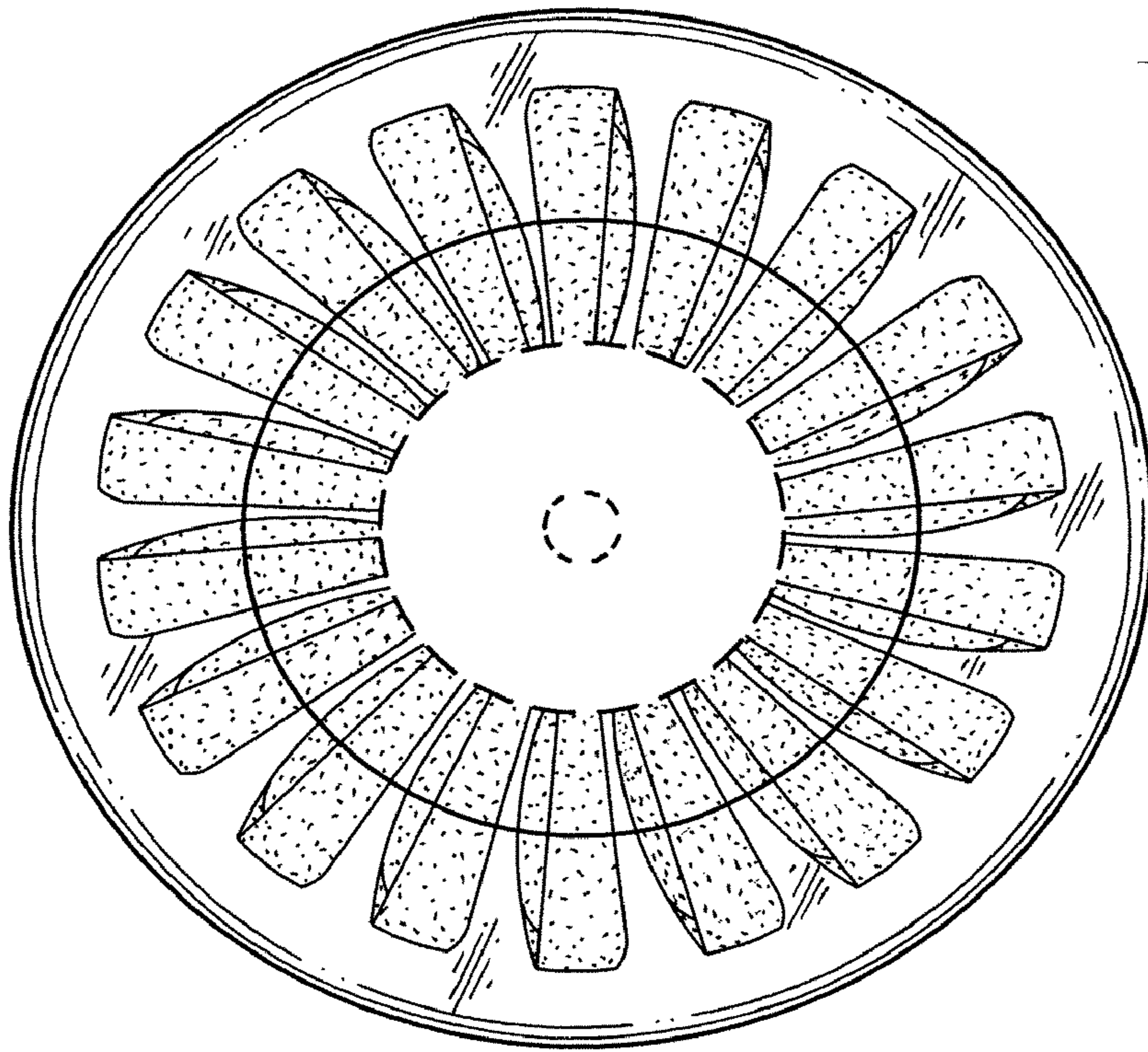


Fig. 4

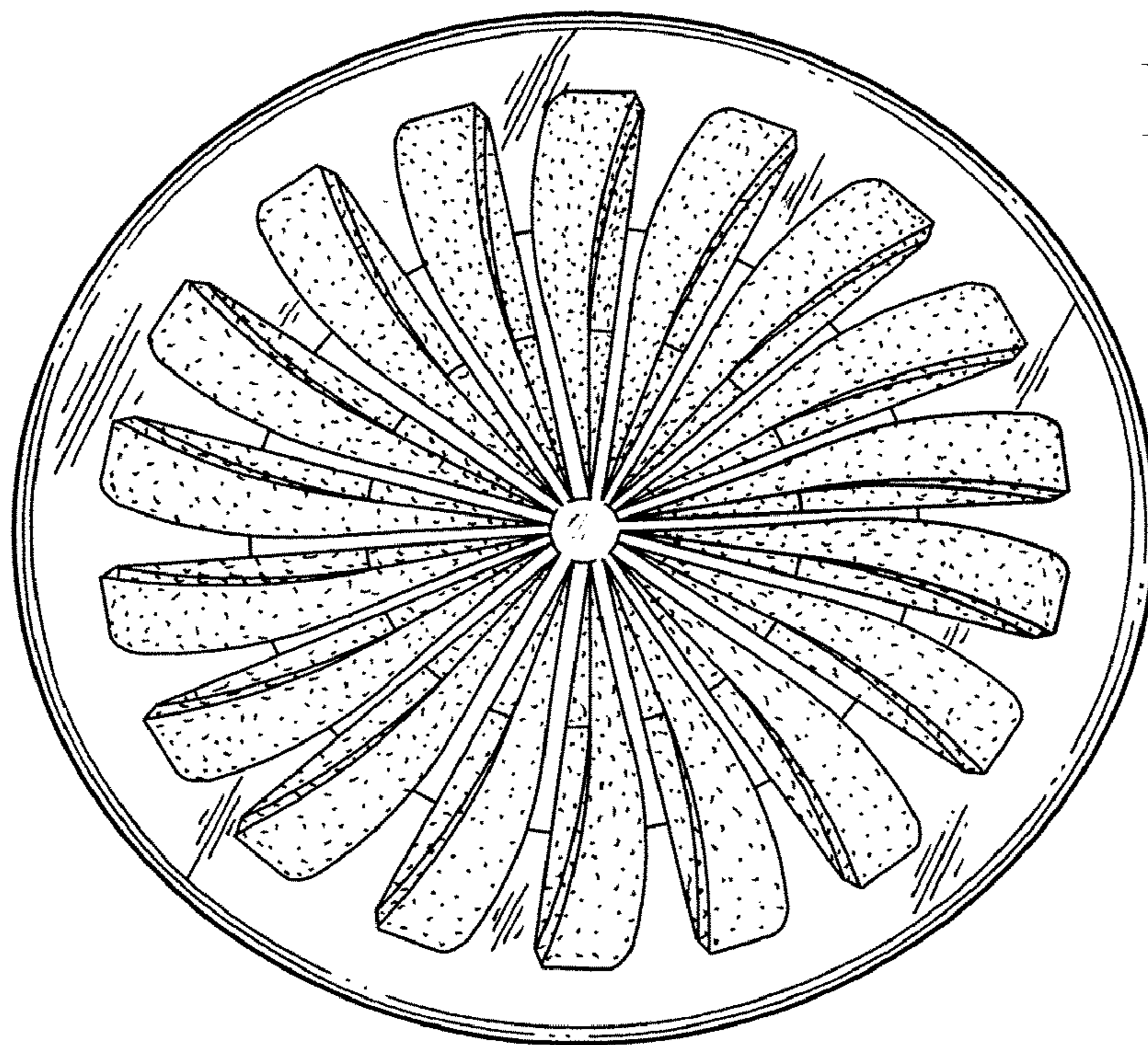


Fig. 5

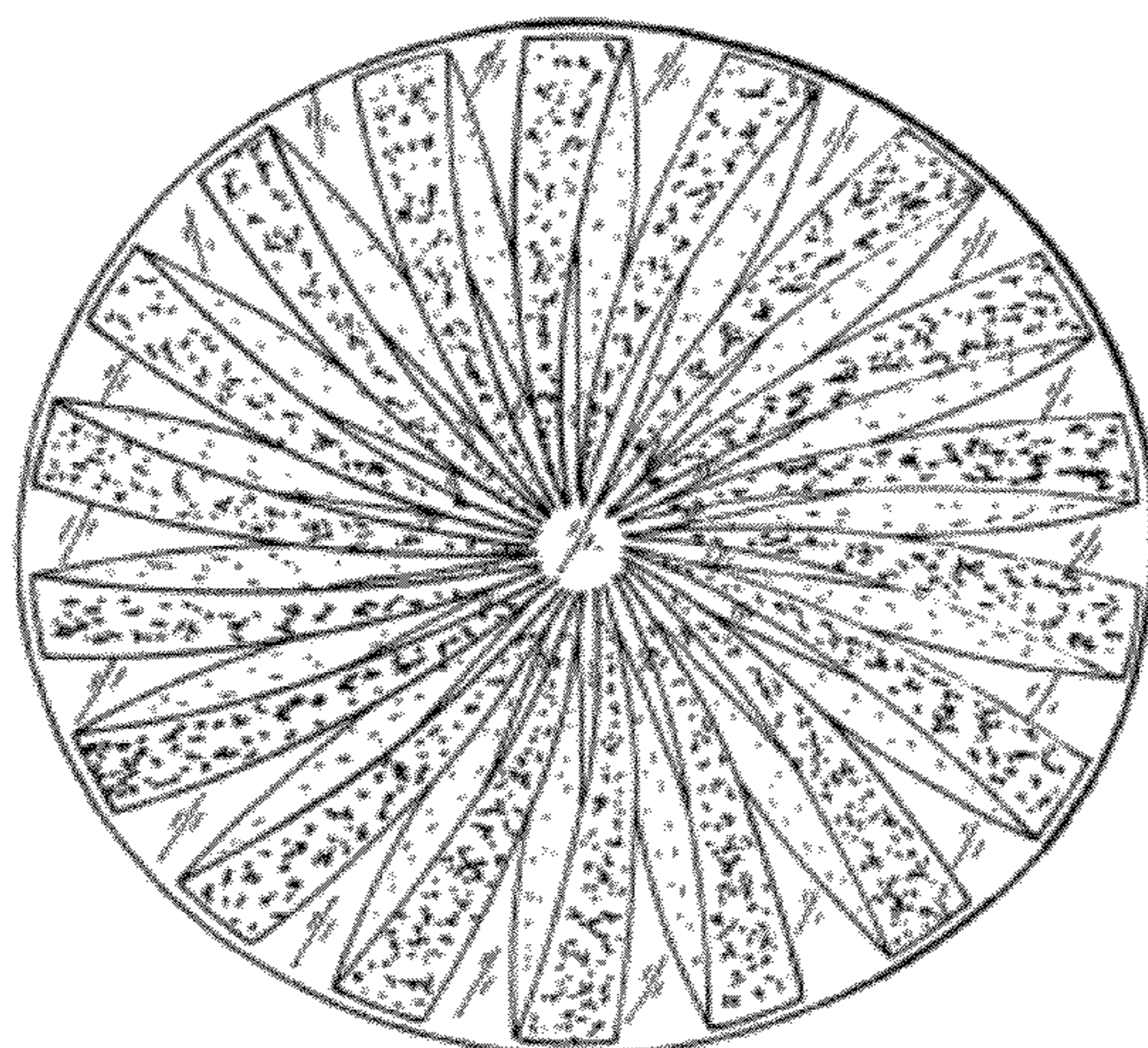
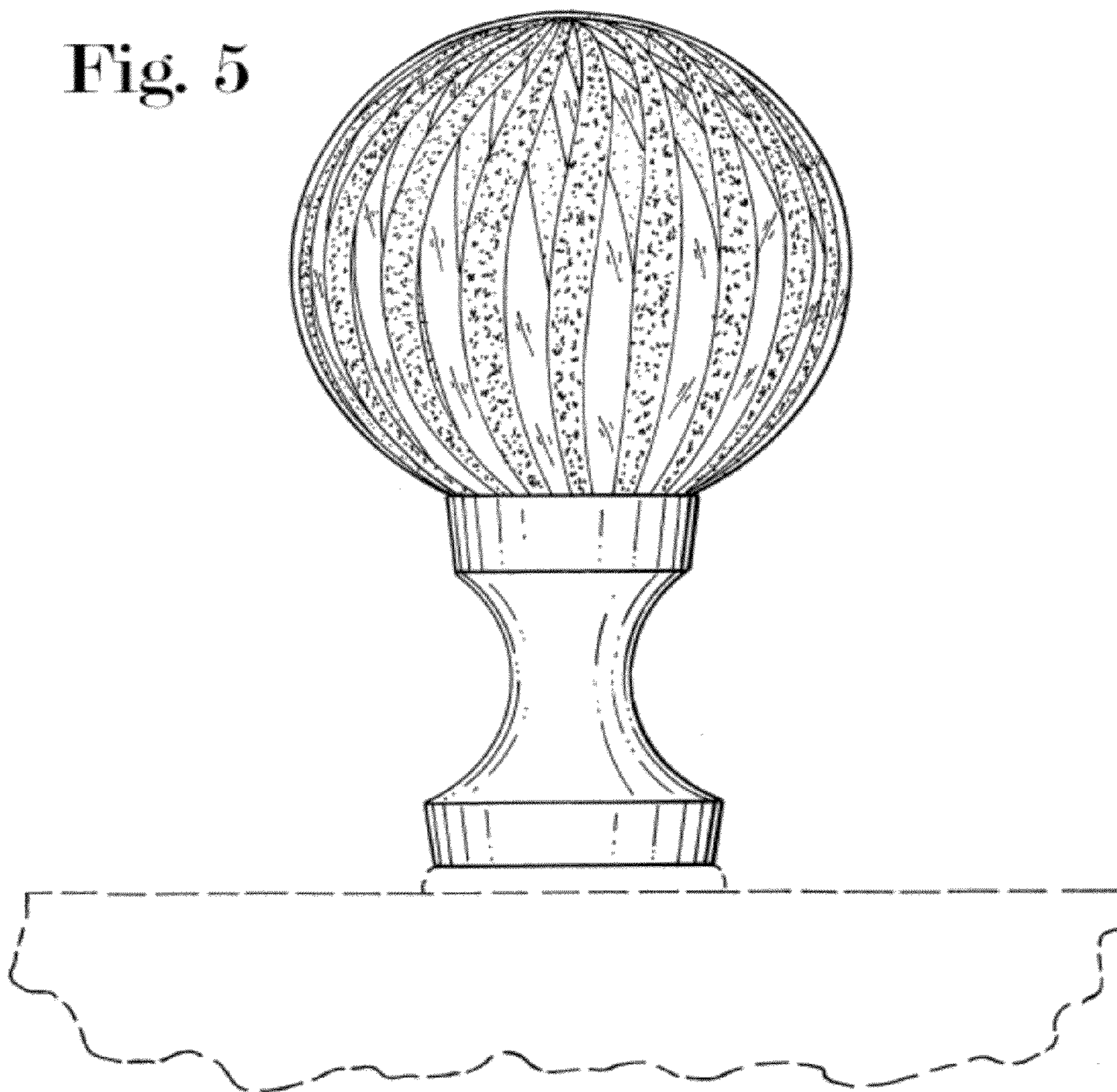


Fig. 6