



US00D673721S

(12) **United States Design Patent**  
**Shen**

(10) **Patent No.:** **US D673,721 S**  
(45) **Date of Patent:** **\*\* Jan. 1, 2013**

(54) **ILLUMINATION DEVICE**

(75) Inventor: **Wei-Hong Shen**, New Taipei (TW)

(73) Assignee: **Giotto's Industrial Inc.**, New Taipei (TW)

(\*\*) Term: **14 Years**

(21) Appl. No.: **29/398,126**

(22) Filed: **Jul. 26, 2011**

(51) **LOC (9) Cl.** ..... **26-99**

(52) **U.S. Cl.** ..... **D26/138**

(58) **Field of Classification Search** ..... D26/155,  
D26/60, 152, 154, 74, 75, 76, 77, 78, 113,  
D26/118, 119, 120, 121, 122, 128, 138, 125,  
D26/124, 126, 127, 85, 86, 88, 89, 90, 91,  
D26/65, 64, 67, 68, 1, 2, 24, 141, 142, 145,  
D26/144, 92, 93, 62, 63, 51, 56, 55, 58, 104,  
D26/139, 140, 3; 362/101, 225, 634, 246,  
362/326, 249.01-249.11, 220, 221, 224,  
362/222, 223, 275, 276, 277, 271, 162, 450,  
362/236; 211/10; 439/94, 95, 115, 110;  
D8/380, 396, 394, 72, 354, 349, 373; D6/310,  
D6/314, 470; D23/411; D11/90, 89, 132;  
D19/96, 90, 77, 78, 75; D13/179, 180, 155

See application file for complete search history.

(56) **References Cited**

**U.S. PATENT DOCUMENTS**

4,814,955 A \* 3/1989 Price ..... 362/275  
D326,162 S \* 5/1992 Price ..... D26/63  
5,140,507 A \* 8/1992 Harwood ..... 362/271  
D370,069 S \* 5/1996 Mier-Langner et al. .... D26/63

D370,075 S \* 5/1996 Mier-Langner et al. .... D26/63  
D385,372 S \* 10/1997 Mier-Langner et al. .... D26/63  
D389,260 S \* 1/1998 Mier-Langner et al. .... D26/63  
D394,723 S \* 5/1998 Mier-Langner et al. .... D26/63  
D439,998 S \* 4/2001 Lin ..... D26/63  
D443,940 S \* 6/2001 Donato ..... D26/63  
D472,337 S \* 3/2003 Bernhart et al. .... D26/63  
D479,756 S \* 9/2003 Agro et al. .... D26/63  
D520,177 S \* 5/2006 Roos et al. .... D26/143  
D525,737 S \* 7/2006 Roos et al. .... D26/63  
D535,423 S \* 1/2007 Mier-Langner et al. .... D26/63  
D541,458 S \* 4/2007 Benghozi ..... D26/63  
D560,013 S \* 1/2008 Benghozi ..... D26/61  
7,488,092 B2 \* 2/2009 Mier-Langner et al. .... 362/285  
D602,623 S \* 10/2009 Kay ..... D26/65  
D604,881 S \* 11/2009 Mier-Langner et al. .... D26/63  
D605,324 S \* 12/2009 Mier-Langner et al. .... D26/63  
D614,325 S \* 4/2010 Mier-Langner et al. .... D26/26

\* cited by examiner

*Primary Examiner* — Kevin Rudzinski

(74) *Attorney, Agent, or Firm* — Chun-Ming Shih; HDLS IPR Services

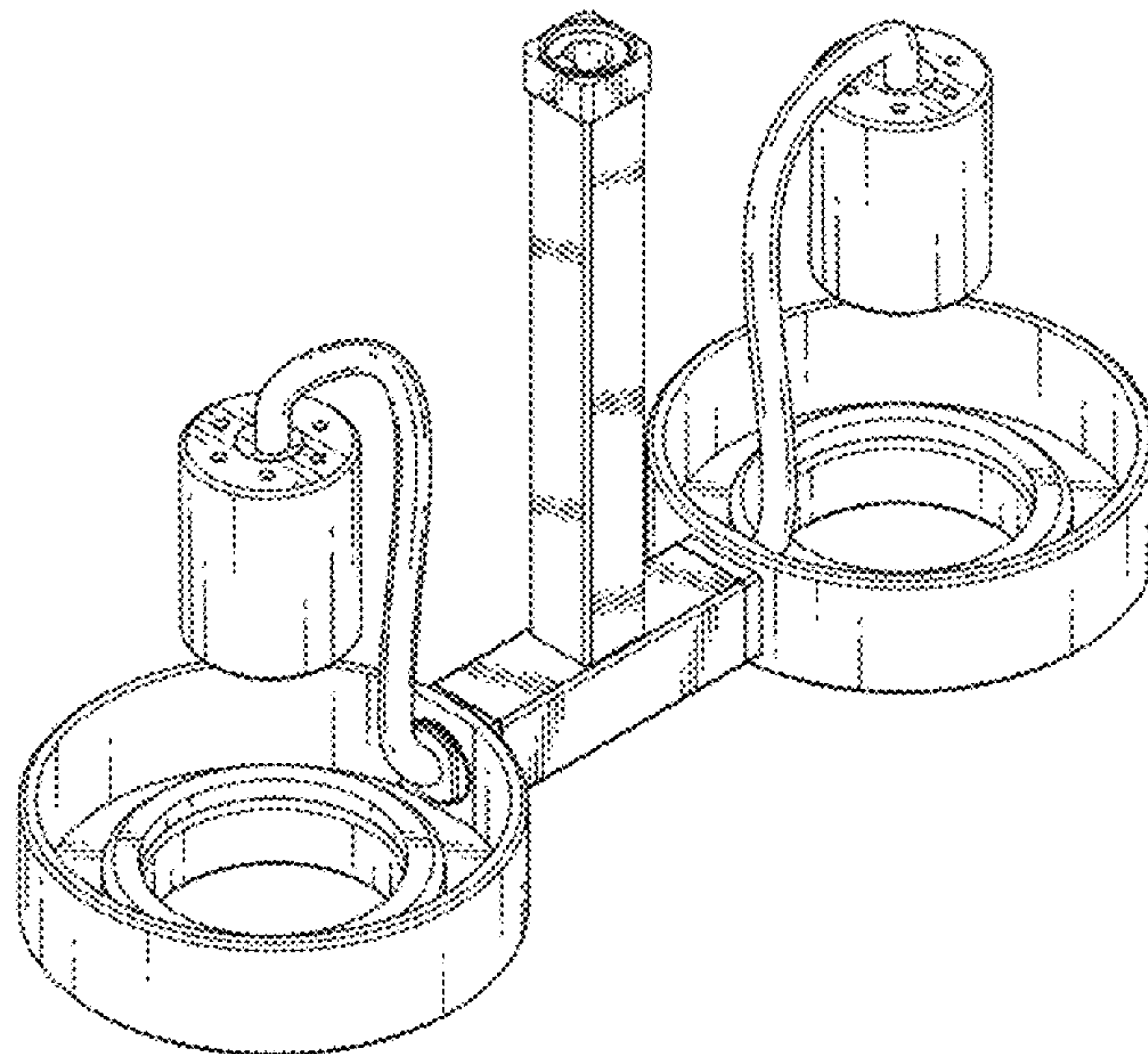
(57) **CLAIM**

The ornamental design for illumination device, as shown and described.

**DESCRIPTION**

FIG. 1 is a perspective view of an illumination device; and, FIG. 2 is another perspective view of the illumination device, shown in a position of use with two lamps installed. The broken lines illustrating lamps in FIG. 2 are included to illustrate environmental structures and form no part of the claimed design.

**1 Claim, 2 Drawing Sheets**



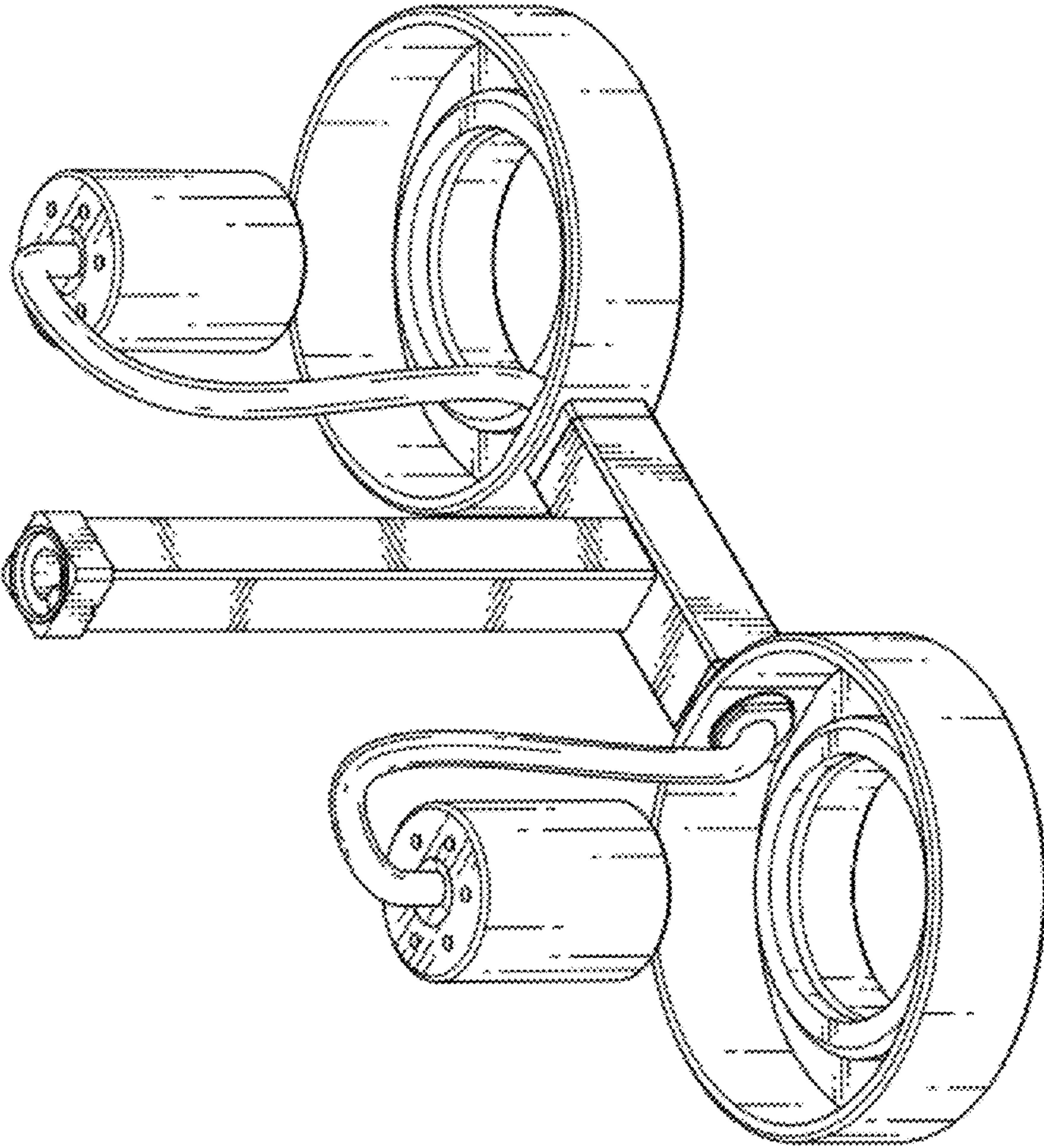


FIG.1



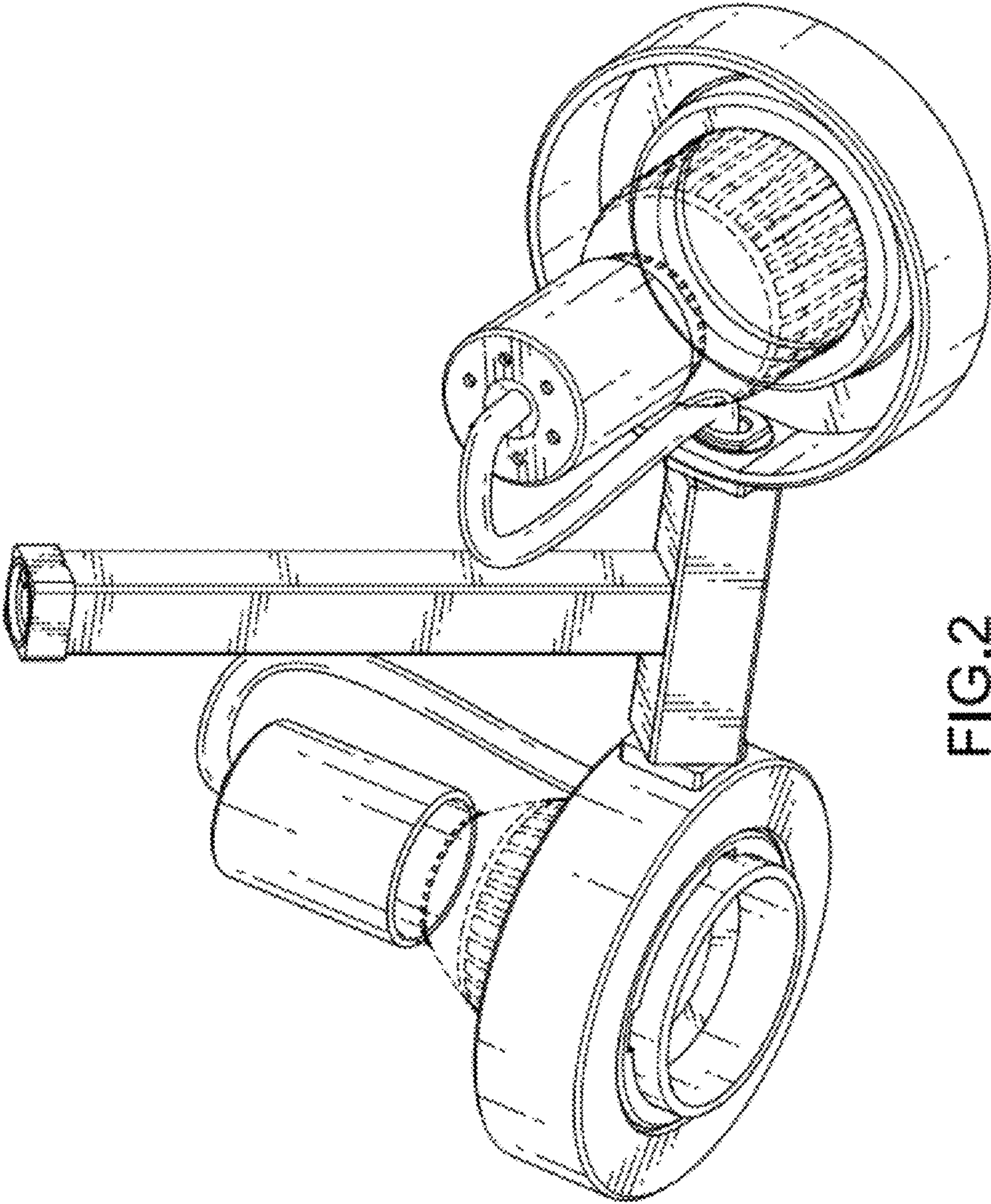


FIG.2