



US00D673720S

(12) **United States Design Patent**  
**Bailey et al.**

(10) **Patent No.:** **US D673,720 S**  
(45) **Date of Patent:** **\*\* Jan. 1, 2013**

(54) **LUMINAIRE HOUSING**

(75) Inventors: **Christopher L. Bailey**, Palmetto, FL  
(US); **Adam J. Clark**, Bradenton, FL  
(US)

(73) Assignee: **Hubbell Incorporated**, Shelton, CT  
(US)

(\*\*) Term: **14 Years**

(21) Appl. No.: **29/376,480**

(22) Filed: **Oct. 7, 2010**

(51) **LOC (9) Cl.** ..... **26-99**

(52) **U.S. Cl.** ..... **D26/138**

(58) **Field of Classification Search** ..... D26/141,  
D26/71, 72, 74, 75, 76, 78, 113, 118, 119,  
D26/120, 121, 122, 123, 62, 63, 64, 65, 66,  
D26/67, 68, 69, 70, 60, 61, 51, 52, 53, 54,  
D26/55, 56, 57, 24, 25, 26, 27, 28, 29, 30,  
D26/142, 144, 145, 152, 153, 155, 138, 139,  
D26/140, 58, 124, 125, 126, 127, 128, 129,  
D26/130, 131, 2, 116, 88, 84, 82, 83, 85,  
D26/86, 87, 89, 90, 91, 92; D13/134, 179,  
D13/180; 362/490, 491, 473, 418, 419, 420,  
362/321, 322, 323, 324, 325, 373, 345, 363,  
362/364, 365, 372, 253, 294, 374, 375, 371,  
362/362, 326, 311.06, 249.02, 235, 236,  
362/308, 309, 310; D23/418, 366; 239/44,  
239/43, 4, 45

See application file for complete search history.

(56) **References Cited**

**U.S. PATENT DOCUMENTS**

2,338,077 A \* 12/1943 Seribner ..... 362/218  
D150,735 S \* 8/1948 Schwartz et al. .... D26/78  
3,213,270 A 10/1965 Appleton et al.  
3,265,885 A 8/1966 Porter

3,502,858 A 3/1970 Habro et al.  
3,525,142 A 8/1970 Osborne, Jr.  
3,636,339 A 1/1972 Osborne, Jr.  
4,557,225 A 12/1985 Sagues et al.  
4,849,862 A 7/1989 Diskin et al.  
4,985,815 A 1/1991 Endo  
D315,832 S 4/1991 Rocheleau et al.  
D338,449 S 8/1993 Sahyoun  
D360,047 S 7/1995 Zimmerman et al.  
5,515,254 A 5/1996 Smith et al.  
D418,626 S 1/2000 Herst et al.  
D421,147 S 2/2000 Herst et al.

(Continued)

*Primary Examiner* — Kevin Rudzinski

(74) *Attorney, Agent, or Firm* — Alan I. Cantor; Mark S. Bicks; Alfred N. Goodman

(57) **CLAIM**

The ornamental design for a luminaire housing, as shown and described.

**DESCRIPTION**

FIG. 1 is a top perspective view of a luminaire housing in accordance with the present invention;

FIG. 2 is a bottom perspective view of the luminaire housing of FIG. 1;

FIG. 3 is a top plan view of the luminaire housing of FIG. 1; FIG. 4 is a left side elevational view of the luminaire housing of FIG. 1, the opposite side being the mirror image of that shown;

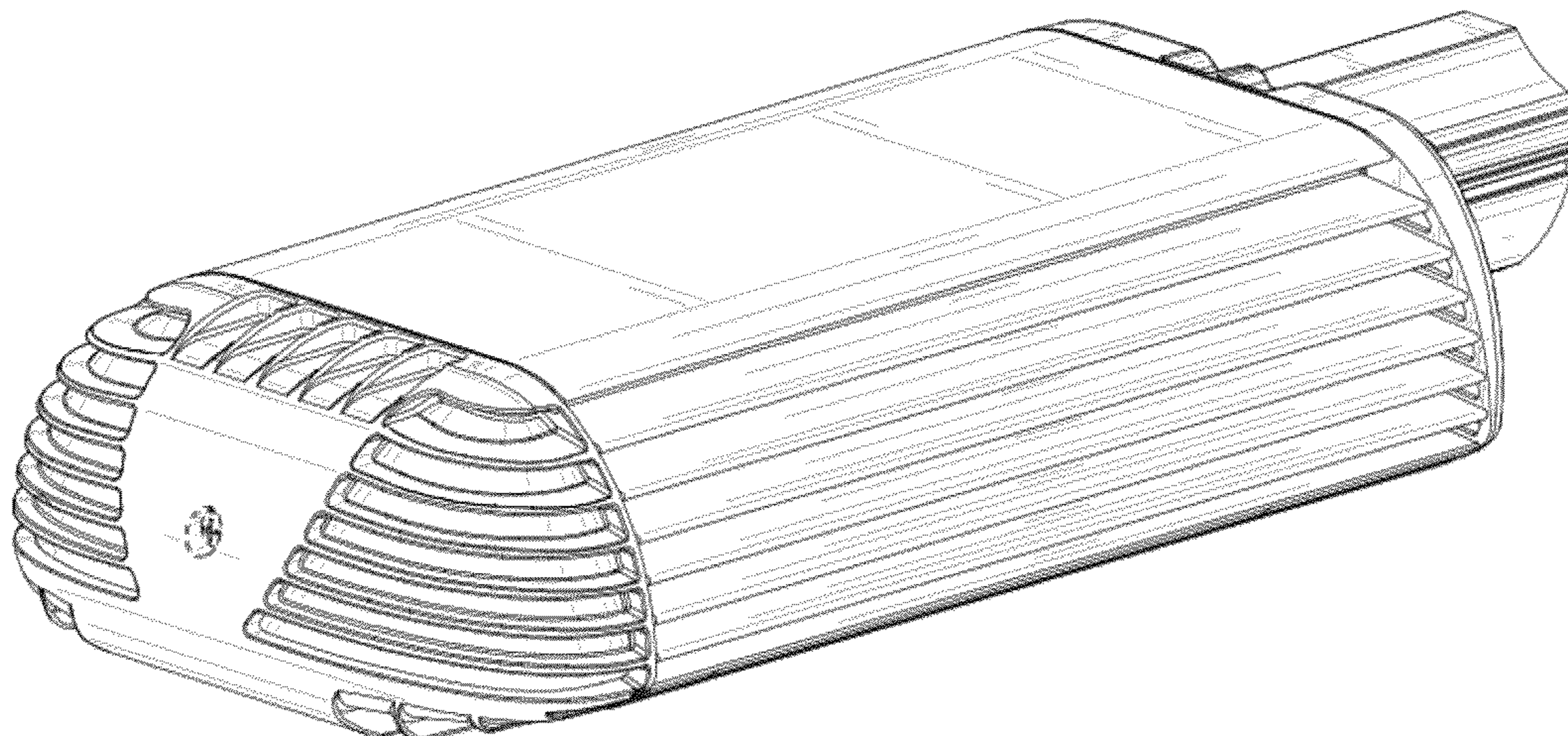
FIG. 5 is a bottom plan view of the luminaire housing of FIG. 1;

FIG. 6 is a rear elevational view of the luminaire housing of FIG. 1; and,

FIG. 7 is a front elevational view of the luminaire housing of FIG. 1.

The broken lines illustrate portions of the luminaire housing that form no part of the claimed design.

**1 Claim, 6 Drawing Sheets**



# US D673,720 S

Page 2

U.S. PATENT DOCUMENTS							
D434,519	S	11/2000	Herst et al.	D625,463	S *	10/2010	Klus ..... D26/138
D435,310	S	12/2000	Herst et al.	D627,095	S *	11/2010	Miyairi et al. .... D26/120
D437,958	S	2/2001	Doron, Jr. et al.	D630,790	S *	1/2011	Josefowicz et al. .... D26/71
6,305,874	B1	10/2001	Custers et al.	D631,998	S *	2/2011	Little et al. .... D26/71
6,340,868	B1	1/2002	Lys et al.	D631,999	S *	2/2011	Little et al. .... D26/71
6,573,536	B1	6/2003	Dry	D632,000	S *	2/2011	Little et al. .... D26/71
D484,633	S *	12/2003	Campagna ..... D26/72	D634,875	S *	3/2011	Jiang et al. .... D26/71
6,720,566	B2	4/2004	Blandford	7,972,035	B2 *	7/2011	Boyer ..... 362/289
6,815,724	B2	11/2004	Dry	D643,960	S *	8/2011	Waldmann ..... D26/74
6,831,303	B2	12/2004	Dry	8,038,327	B1	10/2011	Franck et al.
6,905,214	B2	6/2005	Tani	D648,473	S *	11/2011	Lin et al. .... D26/71
6,984,055	B2 *	1/2006	McCarthy et al. .... 362/219	D648,885	S *	11/2011	Toratani ..... D26/71
7,033,060	B2	4/2006	Dubuc	8,047,682	B2 *	11/2011	Zheng et al. .... 362/249.05
7,198,387	B1	4/2007	Gloisten et al.	2004/0026721	A1	2/2004	Dry
7,234,844	B2	6/2007	Bolta et al.	2004/0141326	A1	7/2004	Dry
7,242,028	B2	7/2007	Dry	2005/0258439	A1	11/2005	Dry
7,267,461	B2	9/2007	Kan et al.	2005/0258440	A1	11/2005	Dry
7,288,796	B2	10/2007	Dry	2005/0269581	A1	12/2005	Dry
D556,935	S	12/2007	Quioque et al.	2006/0146531	A1	7/2006	Reo et al.
D568,521	S	5/2008	Compton	2006/0250803	A1	11/2006	Chen
D570,533	S	6/2008	Morgan	2006/0262545	A1	11/2006	Pieprgras et al.
D574,107	S	7/2008	Tress et al.	2007/0070628	A1	3/2007	Chen
D576,330	S *	9/2008	Ruud et al. .... D26/71	2007/0086196	A1	4/2007	Wong
7,420,811	B2	9/2008	Chan	2007/0159827	A1	7/2007	Huang
D578,696	S	10/2008	Wang et al.	2008/0192478	A1	8/2008	Chen
7,438,448	B2	10/2008	Chen	2008/0273326	A1	11/2008	Wilcox et al.
7,506,995	B2	3/2009	Thomas et al.	2008/0285264	A1 *	11/2008	Whitehouse et al. .... 362/217
D599,940	S	9/2009	Zheng	2009/0213588	A1	8/2009	Manes
D603,077	S *	10/2009	Kinnune et al. .... D26/71	2009/0237930	A1 *	9/2009	Li ..... 362/235
7,600,908	B2	10/2009	Chang et al.	2009/0251898	A1	10/2009	Kinnune et al.
D606,501	S *	12/2009	Plonski et al. .... D13/179	2009/0303711	A1	12/2009	Remus et al.
7,665,866	B2	2/2010	Mayer et al.	2010/0149809	A1	6/2010	Ruud et al.
D621,968	S *	8/2010	Schultz ..... D26/1	2010/0195326	A1	8/2010	Boxler et al.
D623,342	S *	9/2010	Klus ..... D26/138	2011/0038153	A1	2/2011	Hu
D623,343	S *	9/2010	Klus ..... D26/138	2011/0194281	A1 *	8/2011	Josefowicz et al. .... 362/235

\* cited by examiner

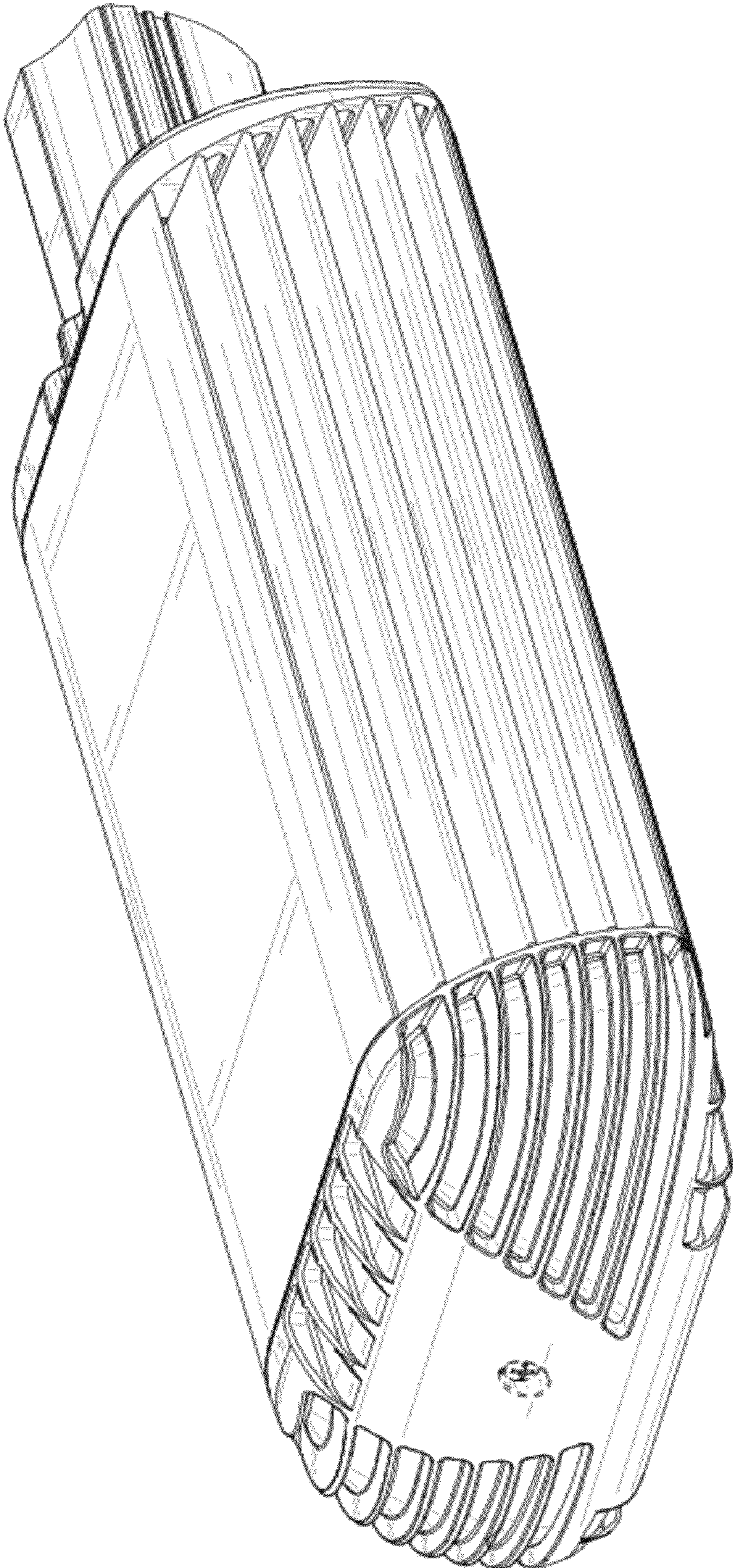


FIG. 1

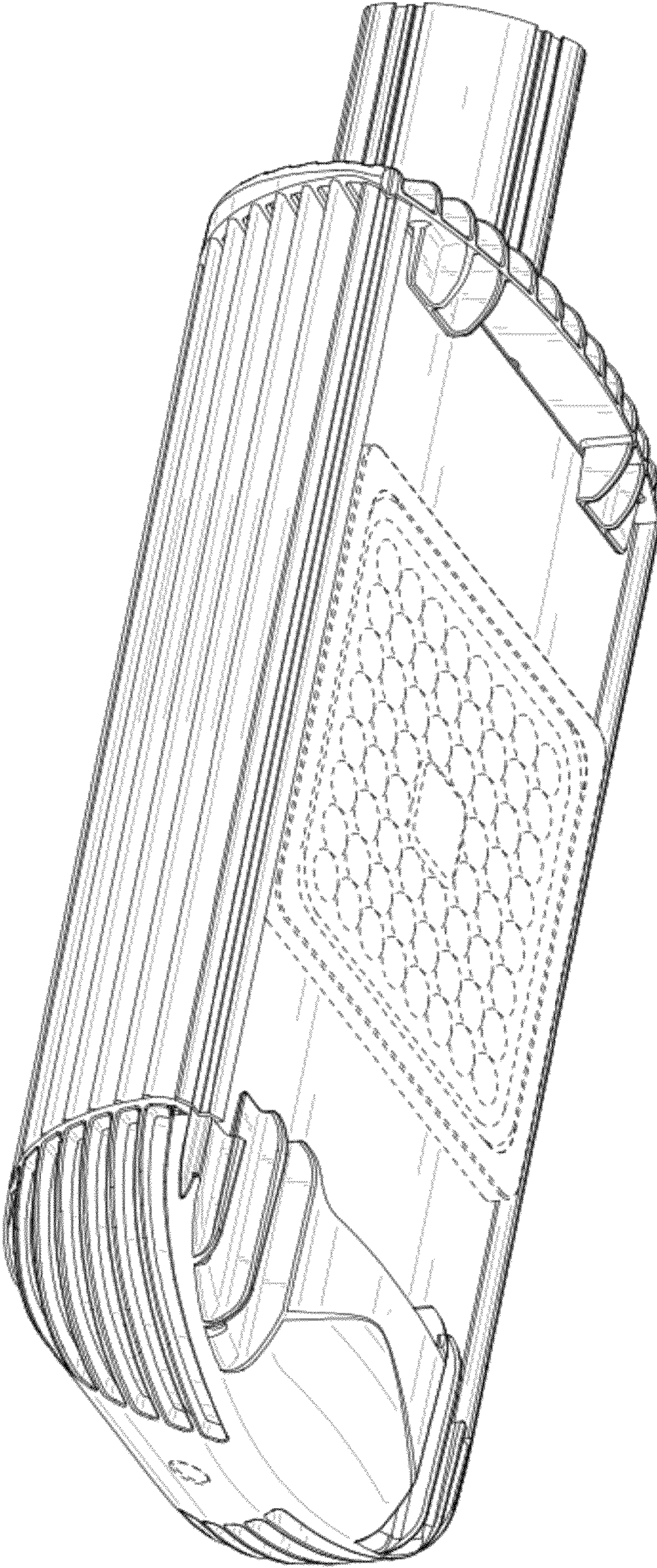


FIG. 2

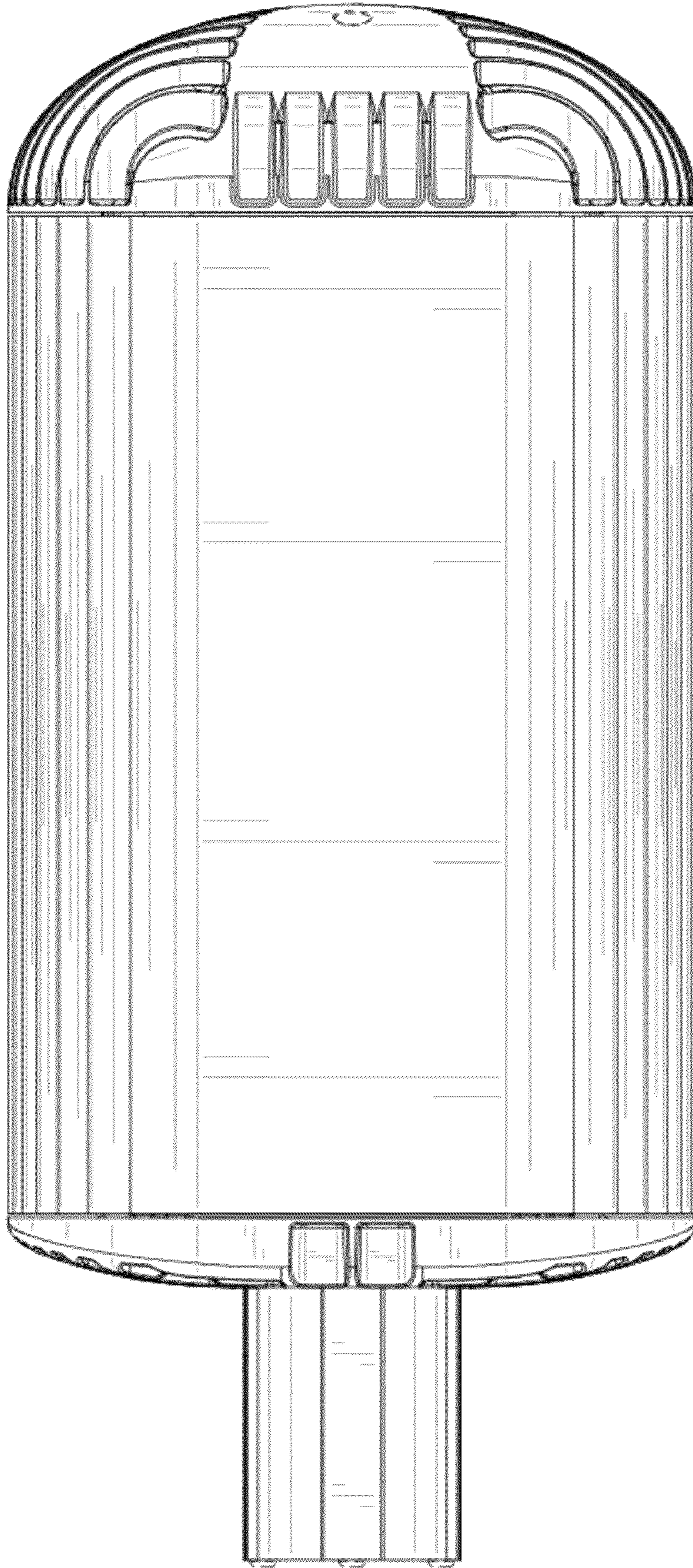


FIG. 3

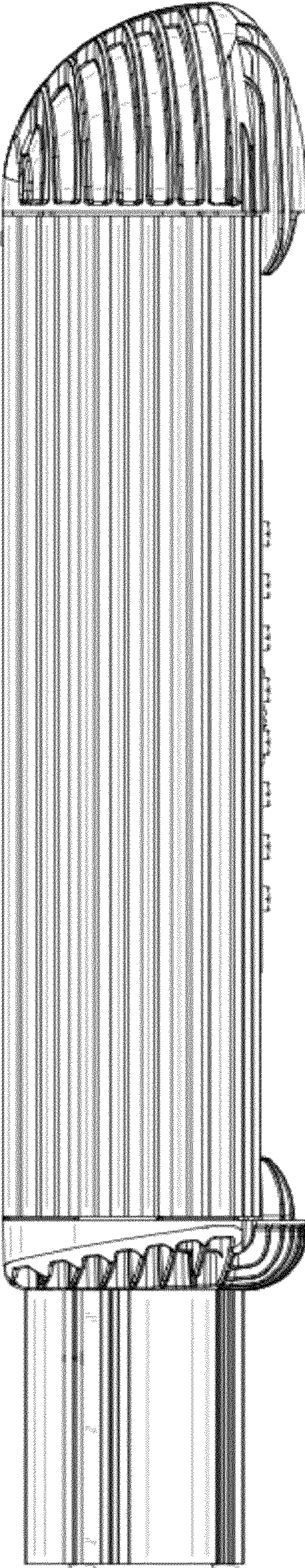


FIG. 4

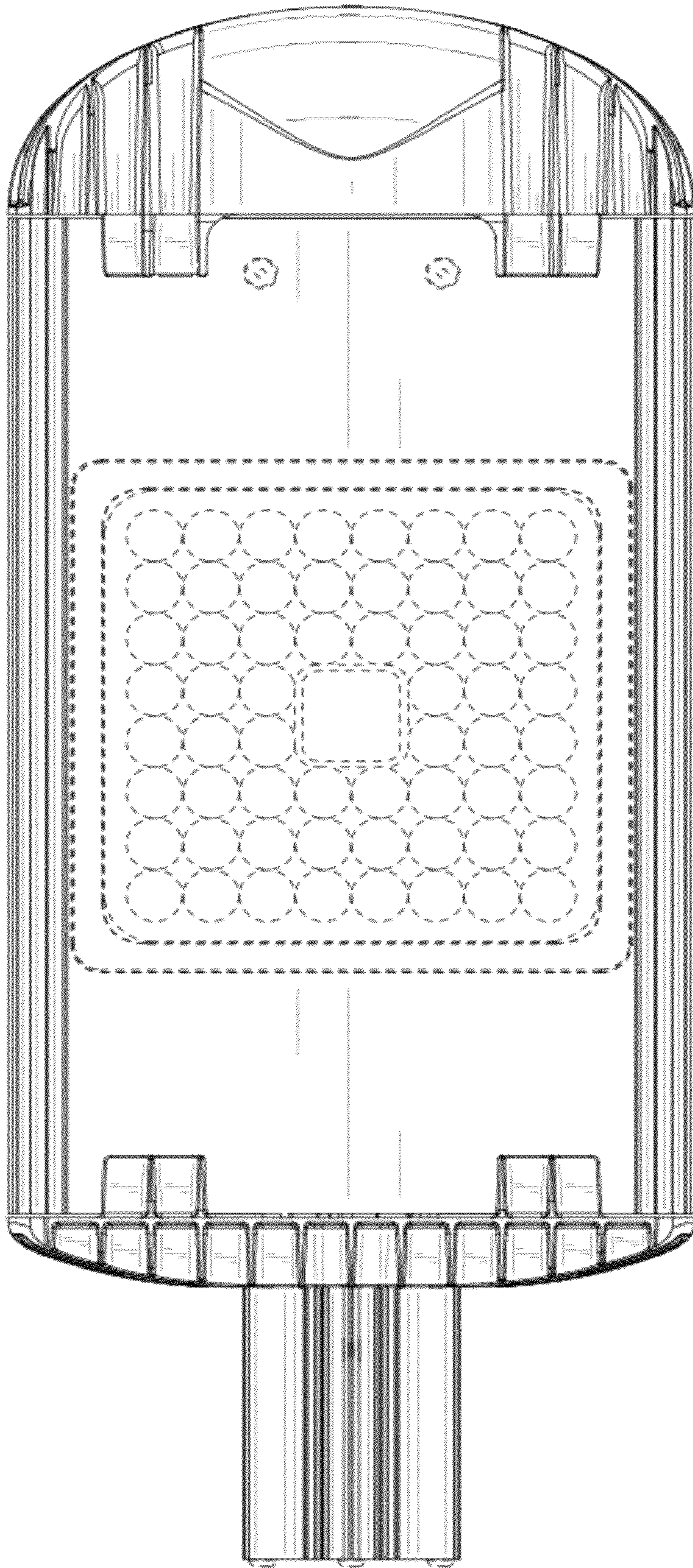


FIG. 5

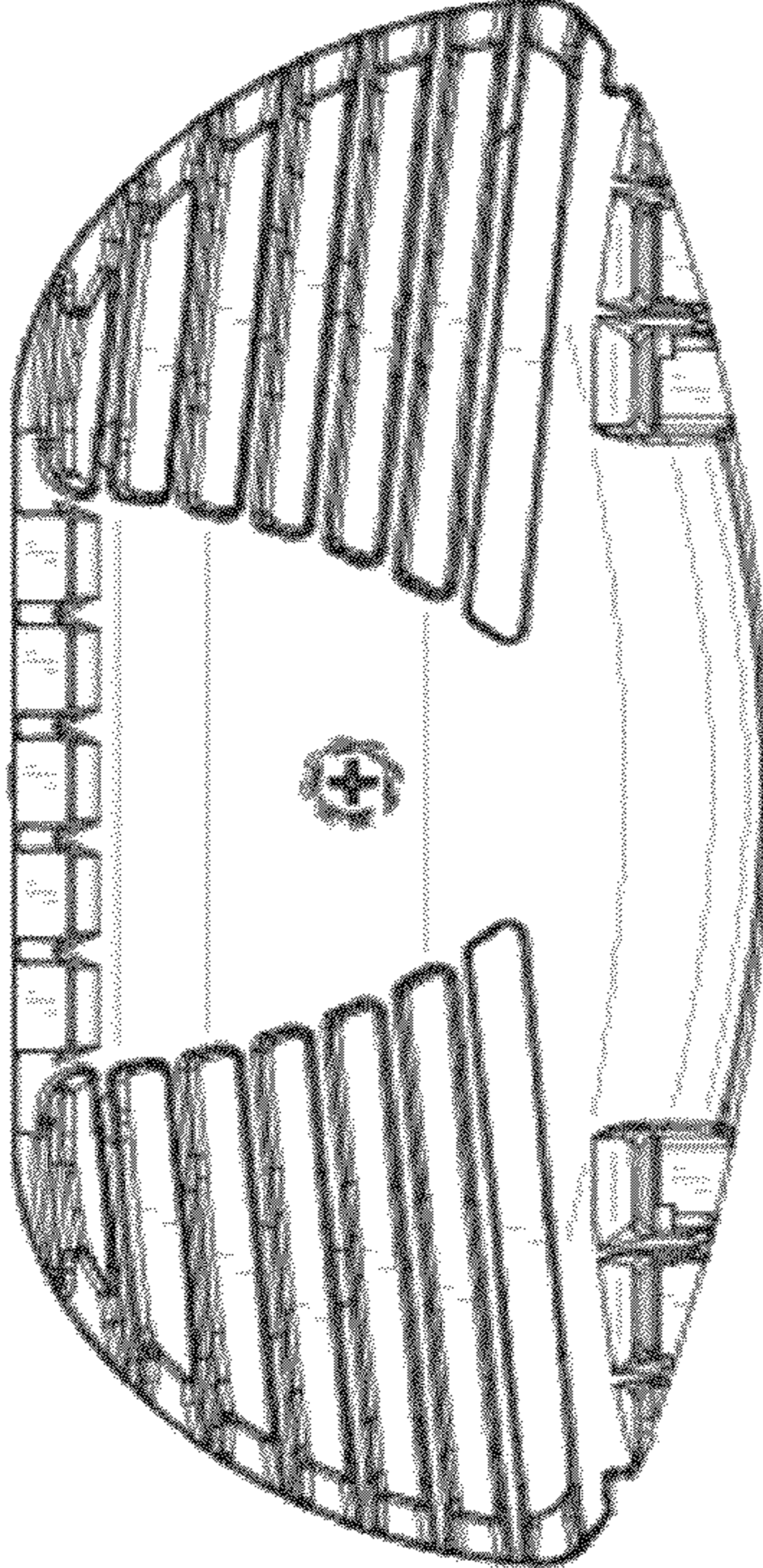


FIG. 7

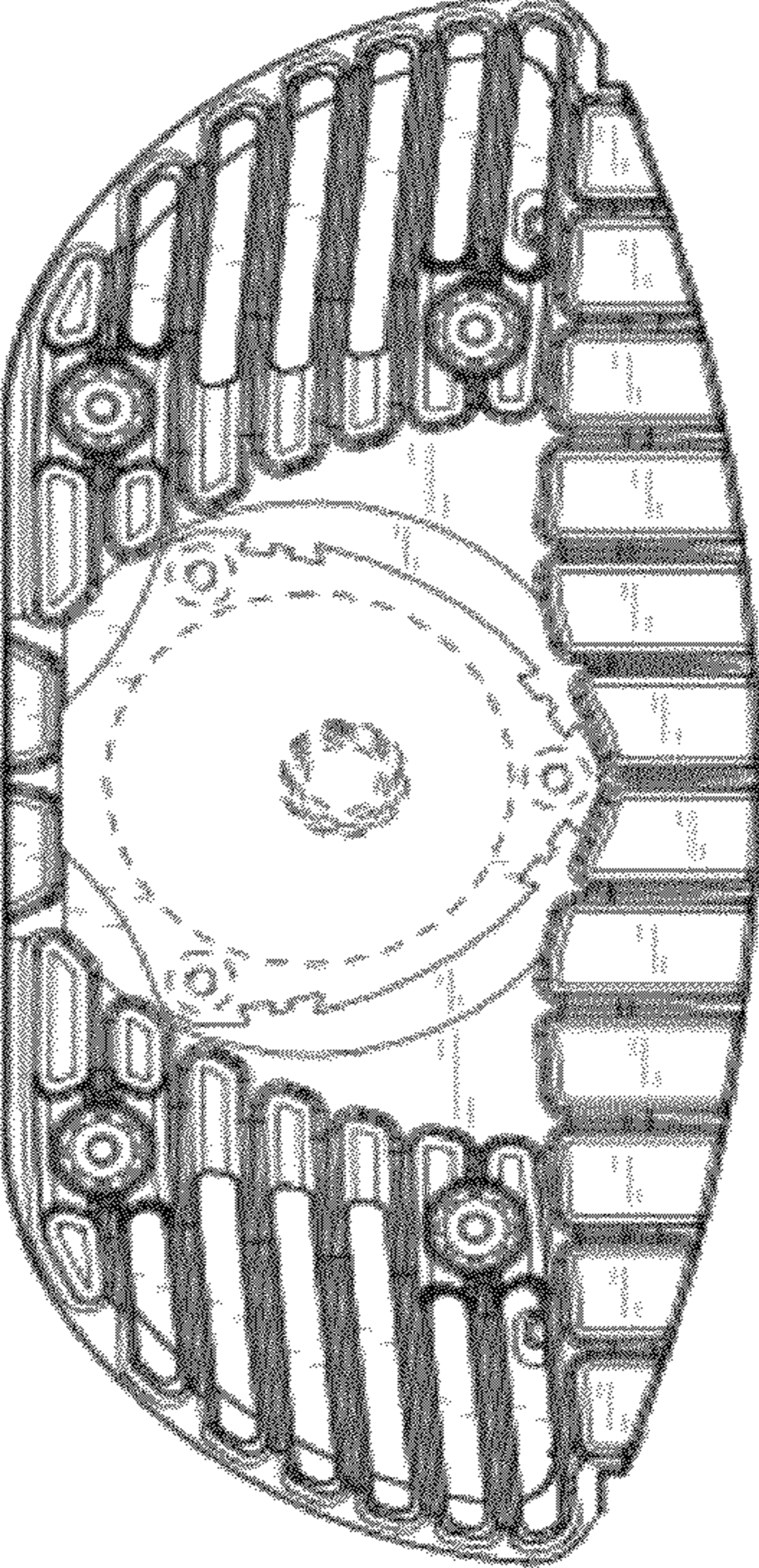


FIG. 6