



US00D673718S

(12) **United States Design Patent**  
**Lui**

(10) **Patent No.:** **US D673,718 S**  
(45) **Date of Patent:** **\*\* Jan. 1, 2013**

(54) **ILLUMINATION DEVICE**

(75) Inventor: **Min-Jet Lui**, Chu-Nan (TW)

(73) Assignee: **Foxsemicon Integrated Technology, Inc.**, Chu-Nan, Miao-Li Hsien (TW)

(\*\*) Term: **14 Years**

(21) Appl. No.: **29/405,995**

(22) Filed: **Nov. 9, 2011**

(51) **LOC (9) Cl.** ..... **26-99**

(52) **U.S. Cl.** ..... **D26/113**

(58) **Field of Classification Search** ..... D26/1,  
D26/2, 118, 113, 138, 119, 120, 121, 122,  
D26/76, 77, 75, 78, 85, 86, 89, 90, 62, 64,  
D26/65, 66, 63, 73, 72, 74, 68, 71, 28, 123,  
D26/124, 127, 128, 129, 134, 135, 132, 139,  
D26/154, 155, 152, 149, 148, 145, 143, 142,  
D26/140, 141, 153, 144, 91, 92, 29, 24, 25,  
D26/26, 8, 114, 37, 87; 362/202, 347, 349,  
362/362, 419, 96, 192, 145, 294, 326, 267,  
362/373, 249.01–249.02; D13/102, 179,  
D13/180

See application file for complete search history.

(56) **References Cited**

**U.S. PATENT DOCUMENTS**

D42,583 S \* 6/1912 Morgan ..... D26/81  
D75,012 S \* 5/1928 Johnson ..... D24/210  
4,244,013 A \* 1/1981 Wotowiec ..... 362/216  
D261,060 S \* 9/1981 Wotowiec et al. .... D26/93  
4,316,120 A \* 2/1982 Cotman et al. .... 315/58

D324,219 S \* 2/1992 Besasie ..... D14/225  
D469,212 S \* 1/2003 Chiu ..... D26/118  
D508,141 S \* 8/2005 Rashidi ..... D26/74  
D545,465 S \* 6/2007 Bachynsky et al. .... D26/28  
D545,982 S \* 7/2007 Bachynsky et al. .... D26/28  
D546,485 S \* 7/2007 Bachynsky et al. .... D26/28  
D560,302 S \* 1/2008 Bachynsky et al. .... D26/89  
D581,576 S \* 11/2008 Montalbano et al. .... D26/89  
D602,197 S \* 10/2009 Dunn et al. .... D26/141  
D623,341 S \* 9/2010 Yeh ..... D26/128  
7,922,363 B2 \* 4/2011 Yang et al. .... 362/294  
2005/0174791 A1 \* 8/2005 Bynum ..... 362/490

\* cited by examiner

*Primary Examiner* — Kevin Rudzinski

(74) *Attorney, Agent, or Firm* — Altis Law Group, Inc.

(57) **CLAIM**

The ornamental design for an illumination device, as shown and described.

**DESCRIPTION**

FIG. 1 is a perspective view of an illumination device showing my new design.

FIG. 2 is a front elevational view thereof.

FIG. 3 is a rear elevational view thereof.

FIG. 4 is a left-side, elevational view thereof.

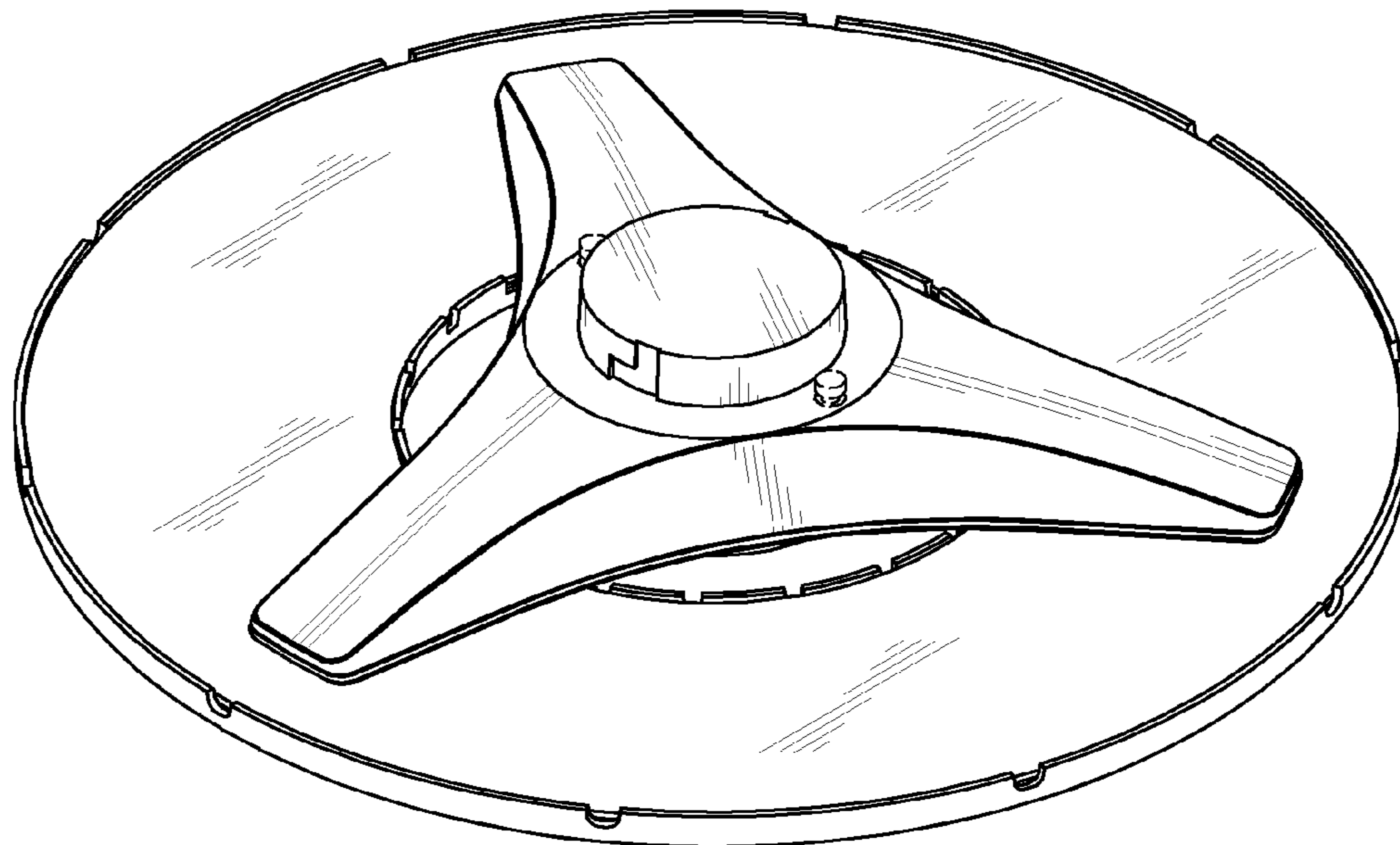
FIG. 5 is a right-side, elevational view thereof.

FIG. 6 is a top plan view thereof; and,

FIG. 7 is a bottom plan view thereof.

The broken lines showing of the environment are for illustrative purpose only and form no part of the claimed design.

**1 Claim, 7 Drawing Sheets**



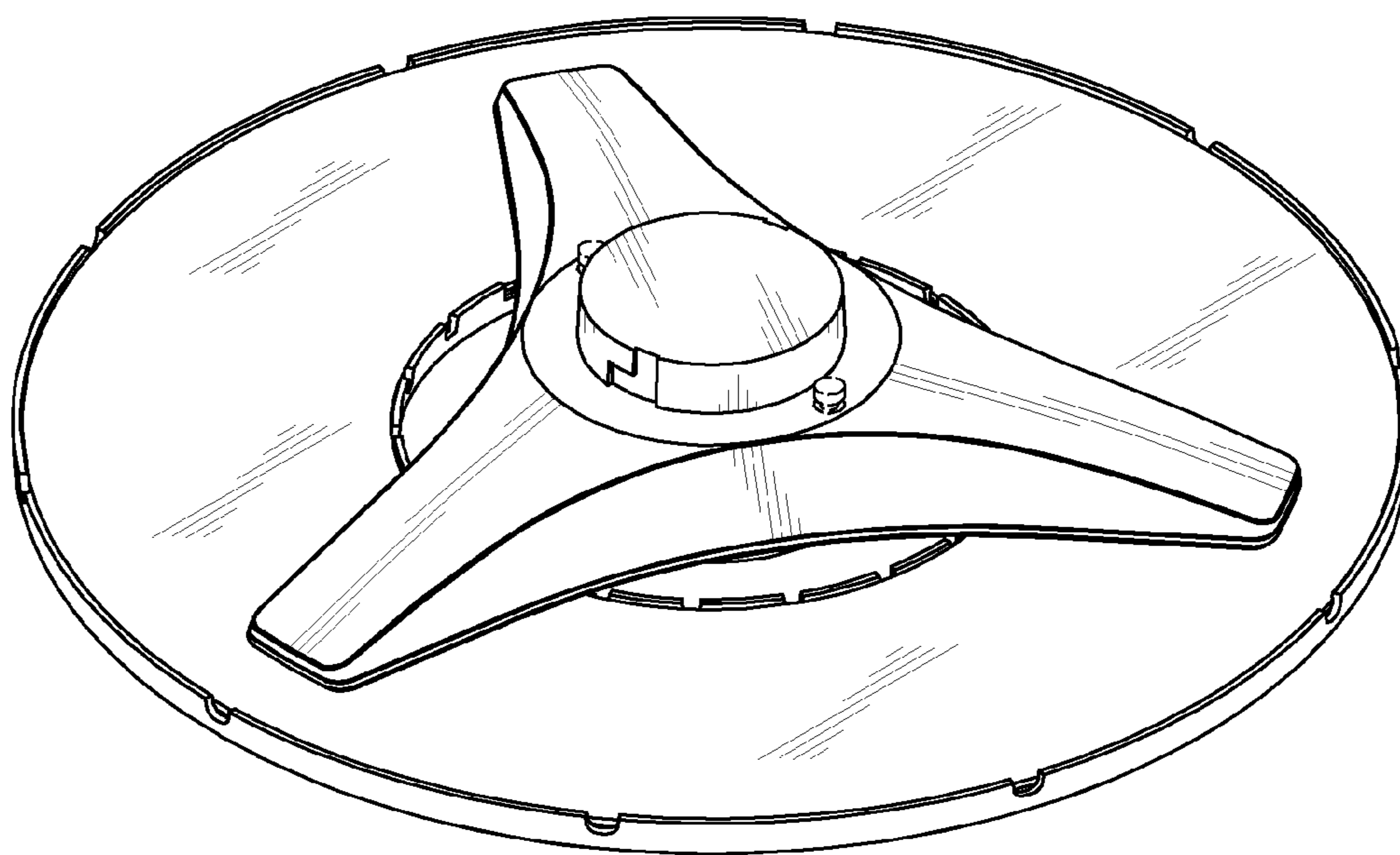


FIG. 1

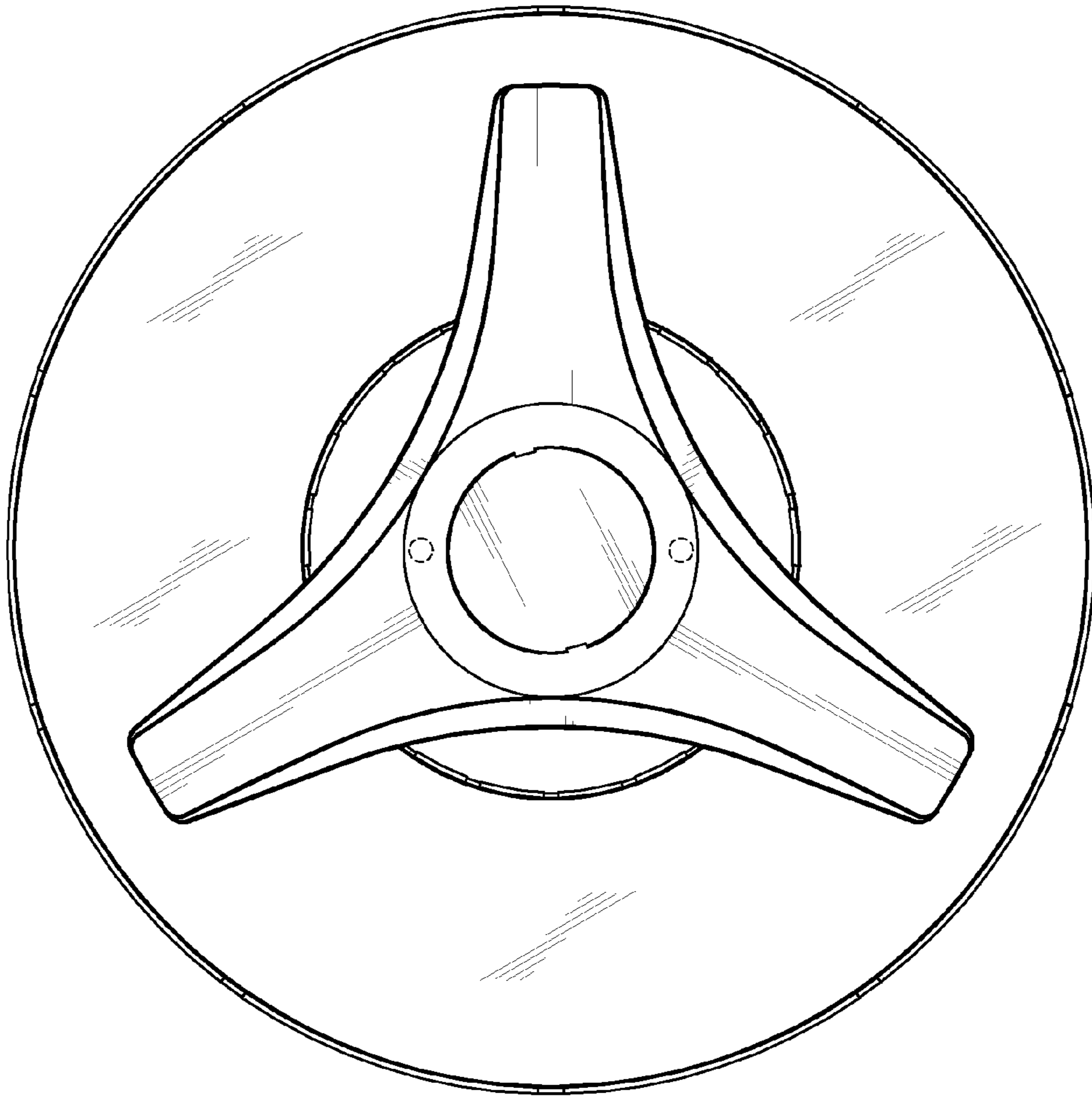


FIG. 2

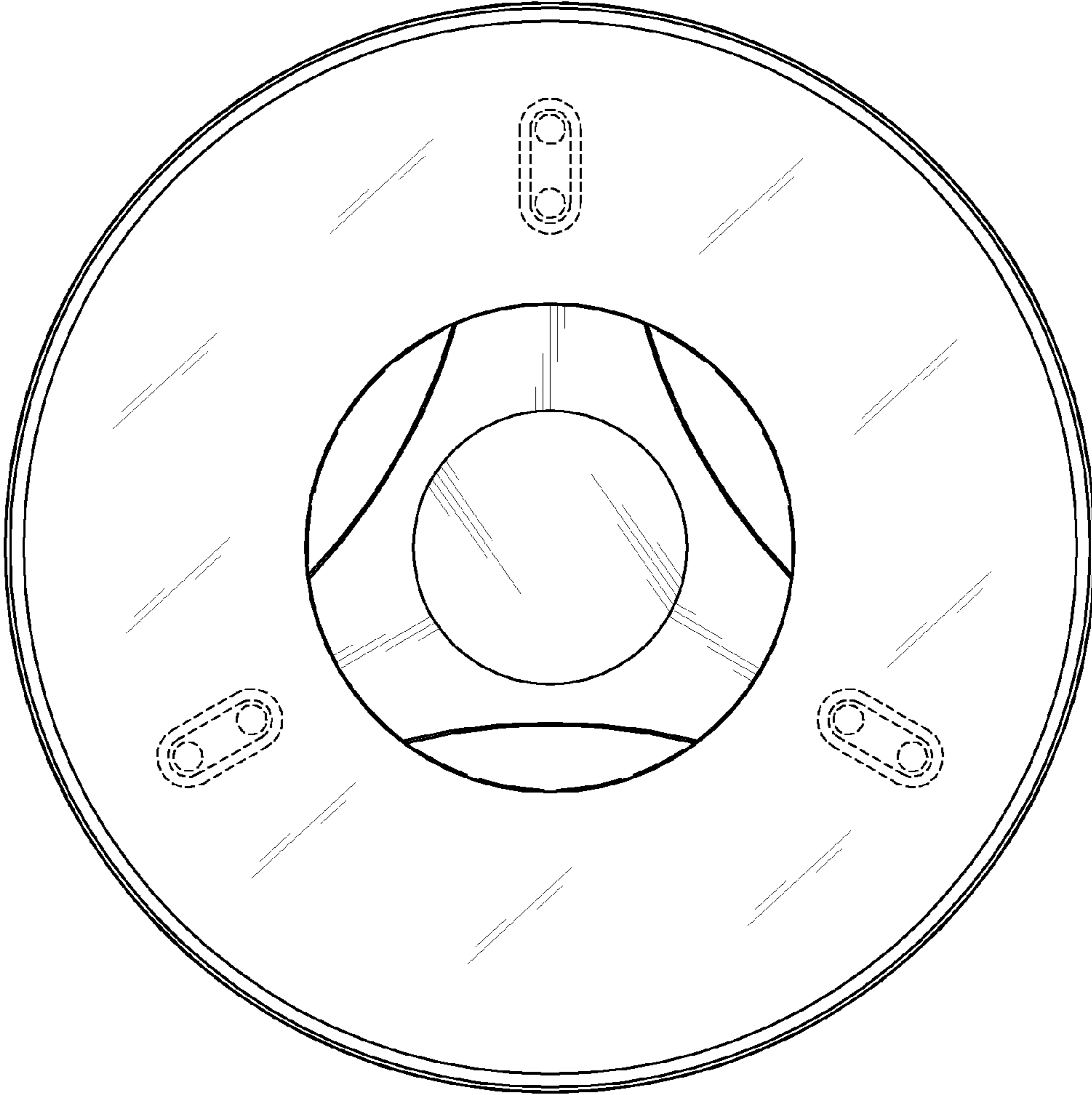


FIG. 3

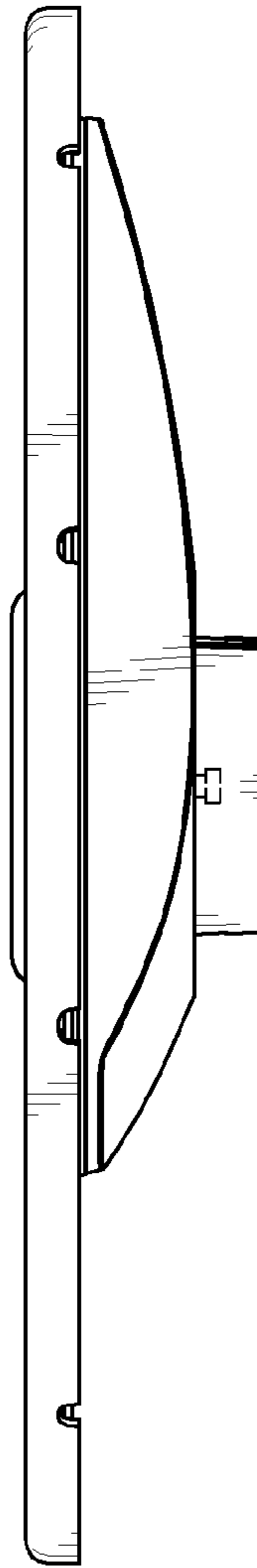


FIG. 4

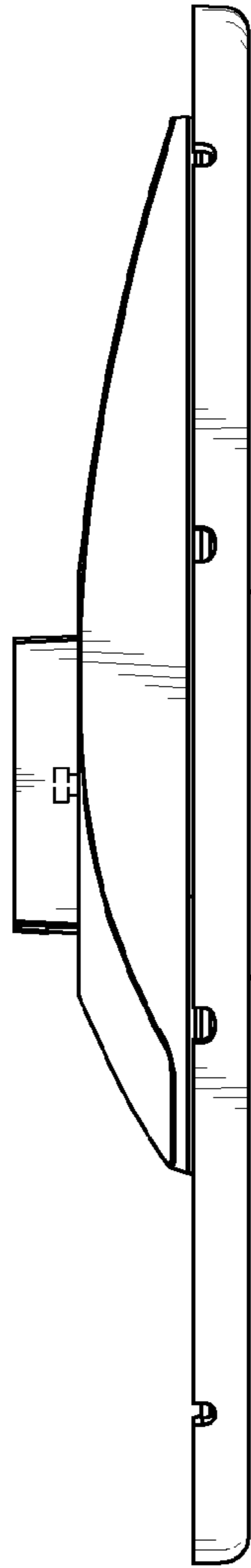


FIG. 5

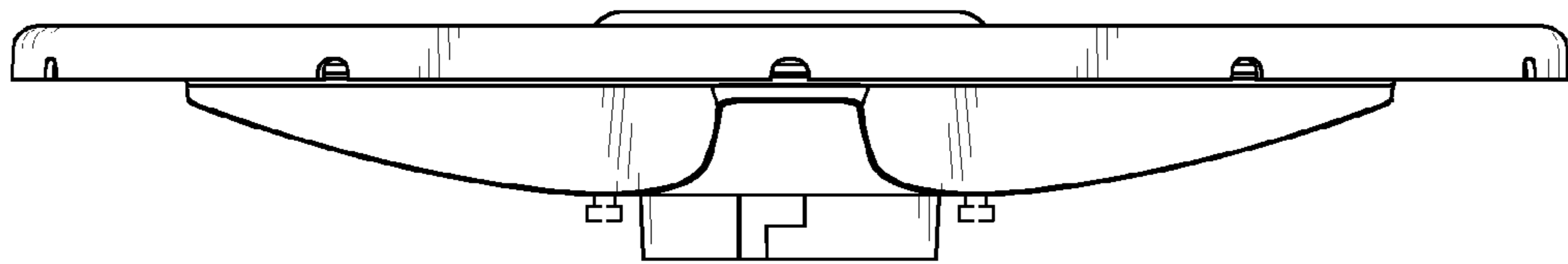


FIG. 6

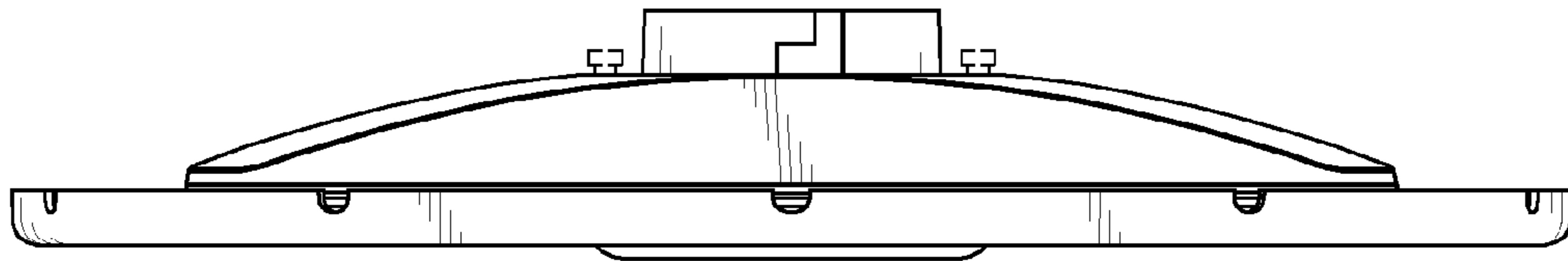


FIG. 7