



US00D673717S

(12) **United States Design Patent**
Restel et al.

(10) **Patent No.:** **US D673,717 S**
(45) **Date of Patent:** **** Jan. 1, 2013**

(54) **BASE FOR LAMP WITH SUPPLEMENTAL EXTENDED LIGHT**

(75) Inventors: **Carrie Ann Restel**, Lake Worth, FL (US); **Arnold Corydon Meyer**, Bonita Springs, FL (US)

(73) Assignee: **Evolution Lighting, LLC**, Miami Lakes, FL (US)

(**) Term: **14 Years**

(21) Appl. No.: **29/403,358**

(22) Filed: **Oct. 5, 2011**

Related U.S. Application Data

(63) Continuation-in-part of application No. 29/390,017, filed on Apr. 19, 2011, now Pat. No. Des. 648,890.

(51) **LOC (9) Cl.** **26-99**

(52) **U.S. Cl.** **D26/113**

(58) **Field of Classification Search** 40/617, 40/553, 592; D16/101; D13/179, 180; D9/457; D12/400; D8/354, 382; D10/11; D11/79, D11/129, 125, 128, 126, 127, 124, 121, 122, D11/123; D30/133; D6/462, 403; D20/41, D20/42, 10; D25/100, 106; 362/343, 362, 362/246, 260, 256, 223, 125, 565, 647, 350, 362/102; D26/96, 95, 91, 92, 93, 28, 26, D26/27, 144, 131, 94, 126, 24, 25, 140, 141, D26/142, 143, 71, 72, 73, 74, 75, 76, 77, D26/78, 79, 81, 113, 118, 119, 120, 121, D26/122, 39, 138, 135, 139, 145, 155, 154, D26/63, 64, 65, 66, 67, 68, 84, 85, 83, 82, D26/1, 2, 3, 86, 88, 132, 133, 134, 60, 61, D26/62, 123, 124, 125

See application file for complete search history.

(56) **References Cited**

U.S. PATENT DOCUMENTS

D104,367	S	*	5/1937	Cowan	D26/83
D118,671	S	*	1/1940	Mielziner	D26/63
3,025,379	A	*	3/1962	Ford	219/220
D283,647	S	*	4/1986	Schumann	D26/67
D346,459	S	*	4/1994	King	D26/84
D406,670	S	*	3/1999	Yeh	D26/74
6,280,042	B1	*	8/2001	Wegrzyn et al.	362/20
D454,967	S	*	3/2002	Brown et al.	D26/37
D459,515	S	*	6/2002	Gaskins et al.	D26/67
D468,472	S	*	1/2003	Mullally et al.	D26/67
D475,801	S	*	6/2003	Stewart	D26/67
6,682,204	B2	*	1/2004	Mullally et al.	362/235

(Continued)

Primary Examiner — Kevin Rudzinski

(74) *Attorney, Agent, or Firm* — Feldman Gale, P.A.; Michael C. Cesarano

(57) **CLAIM**

The ornamental design for a “base for lamp with supplemental extended light,” as shown and described.

DESCRIPTION

FIG. 1 is a front view of the design of a base for lamp with supplemental extended light.

FIG. 2 is a left side view of the design of a base for lamp with supplemental extended light.

FIG. 3 is a rear view of the design of a base for lamp with supplemental extended light.

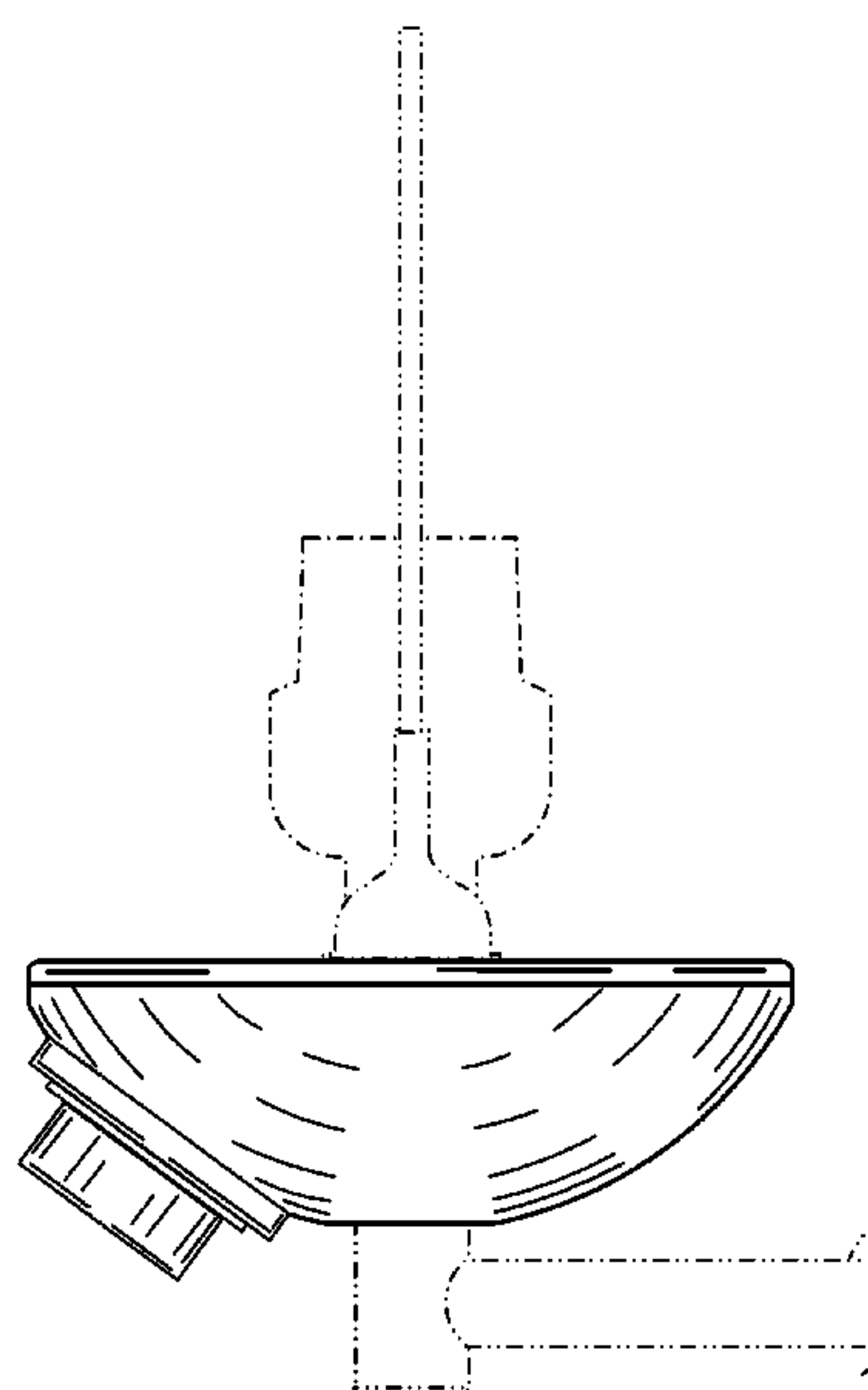
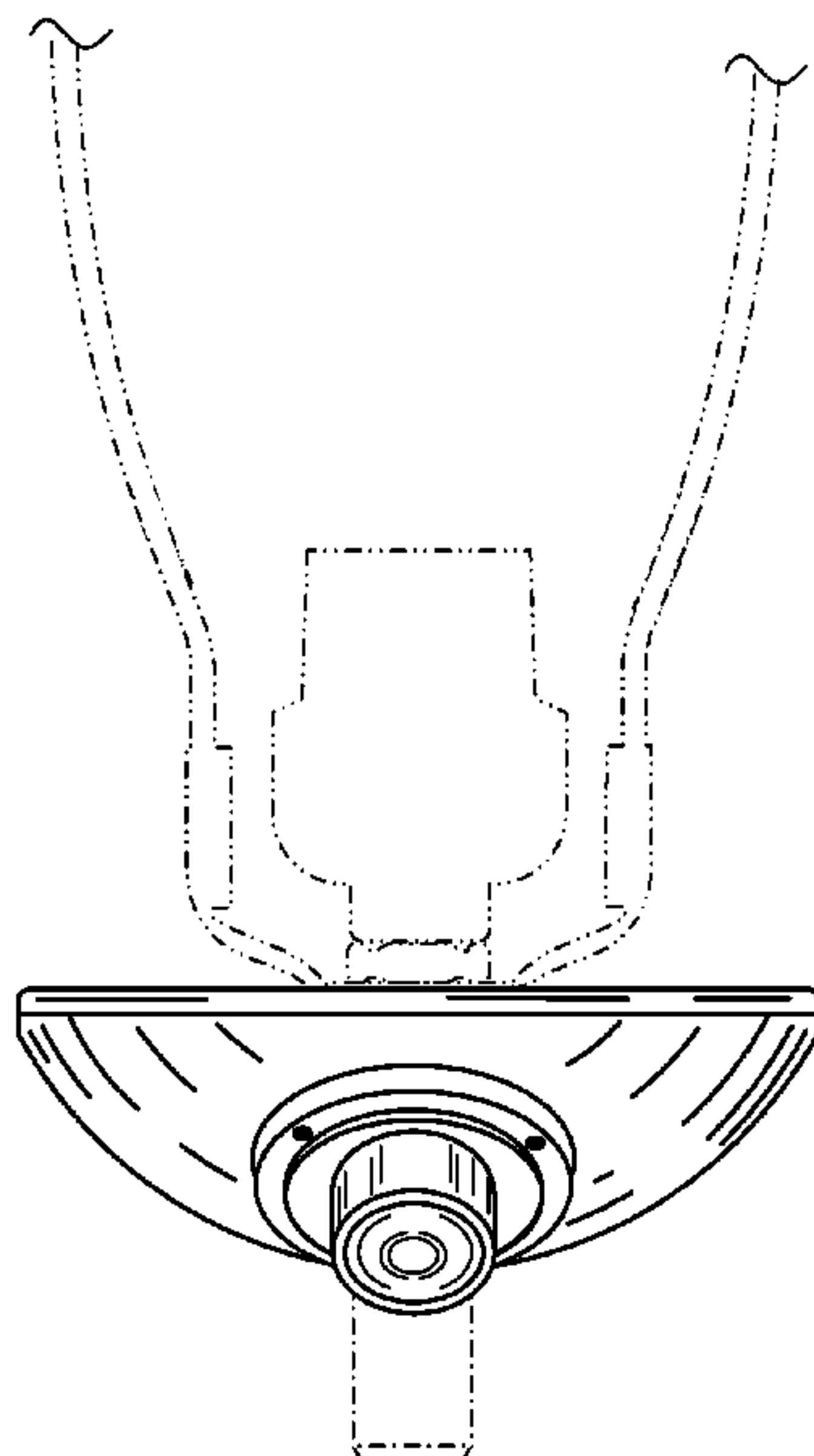
FIG. 4 is a right side view of the design of a base for lamp with supplemental extended light.

FIG. 5 is a top view of the design of a base for lamp with supplemental extended light; and,

FIG. 6 is a bottom view of the design of a base for lamp with supplemental extended light.

The broken lines shown in the drawings illustrating environmental structures form no part of the claimed design.

1 Claim, 6 Drawing Sheets



US D673,717 S

Page 2

U.S. PATENT DOCUMENTS

D487,529	S *	3/2004	Kowitz	D26/85
D507,373	S *	7/2005	Kim	D26/80
7,063,433	B2 *	6/2006	Pape et al.	362/102
D540,485	S *	4/2007	Waedeled	D26/70
D542,454	S *	5/2007	Chan	D26/60
D544,988	S *	6/2007	Benensohn	D26/89
D561,932	S *	2/2008	Summerford et al.	D26/128
7,331,684	B2 *	2/2008	Tung	362/102
D564,687	S *	3/2008	Bucher et al.	D26/60
D566,885	S *	4/2008	Mullen	D26/123
D567,424	S *	4/2008	St-Pierre et al.	D26/67
7,401,936	B1 *	7/2008	Fan	362/102
D578,703	S *	10/2008	Levine	D26/113
D580,093	S *	11/2008	Conroy	D26/138
D585,580	S *	1/2009	Riffel et al.	D26/72
D586,942	S *	2/2009	Chan et al.	D26/118
7,524,083	B2 *	4/2009	Sandoval	362/221
D607,597	S *	1/2010	Choi	D26/80
7,695,153	B2 *	4/2010	Tsai	362/102
D626,272	S *	10/2010	Verelst	D26/85
D632,005	S *	2/2011	Munstermann	D26/113
D648,887	S *	11/2011	Kong et al.	D26/71
2007/0133191	A1 *	6/2007	Ma	362/102
2007/0242450	A1 *	10/2007	Blatecky	362/102

* cited by examiner

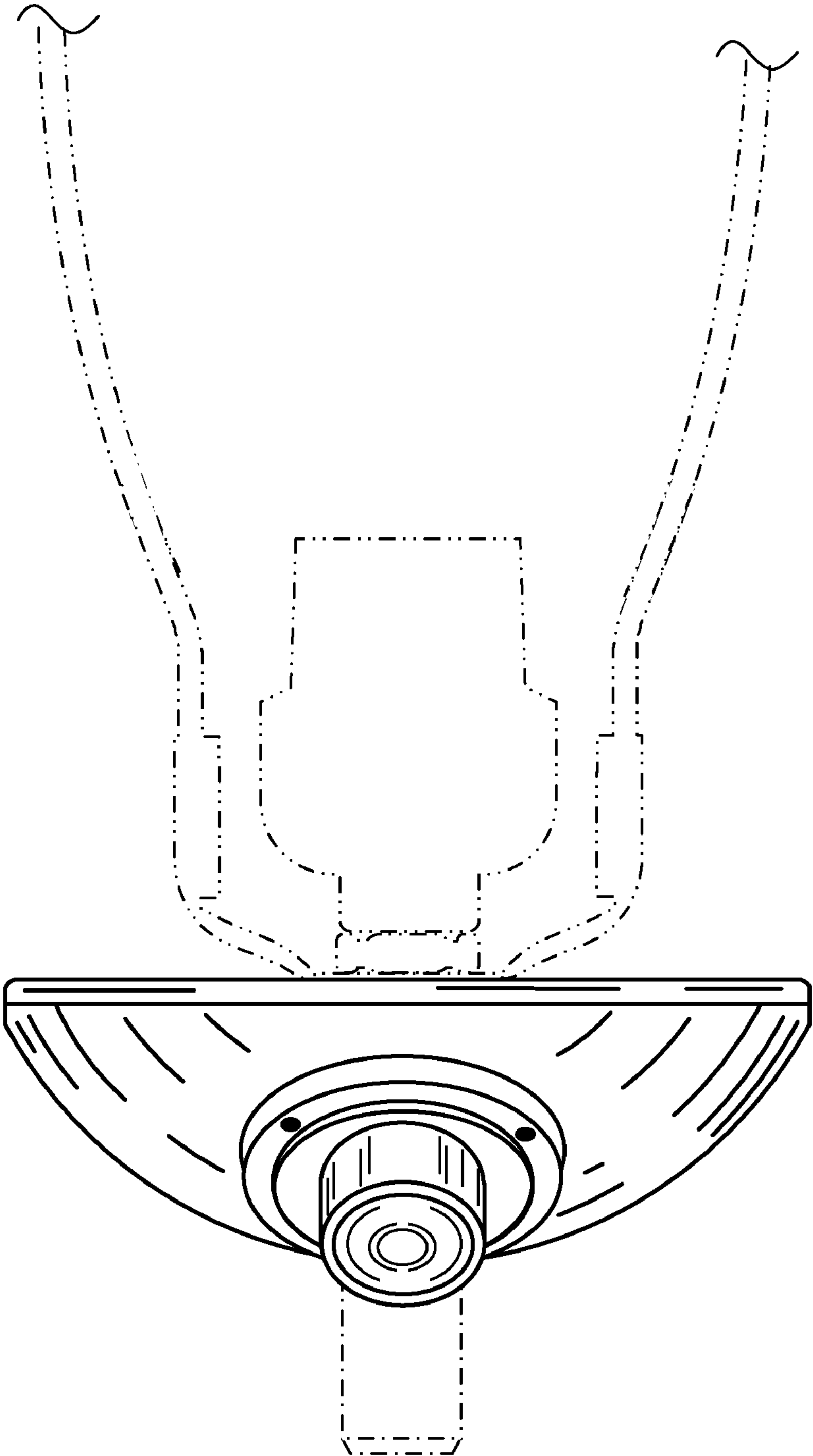


FIG. 1

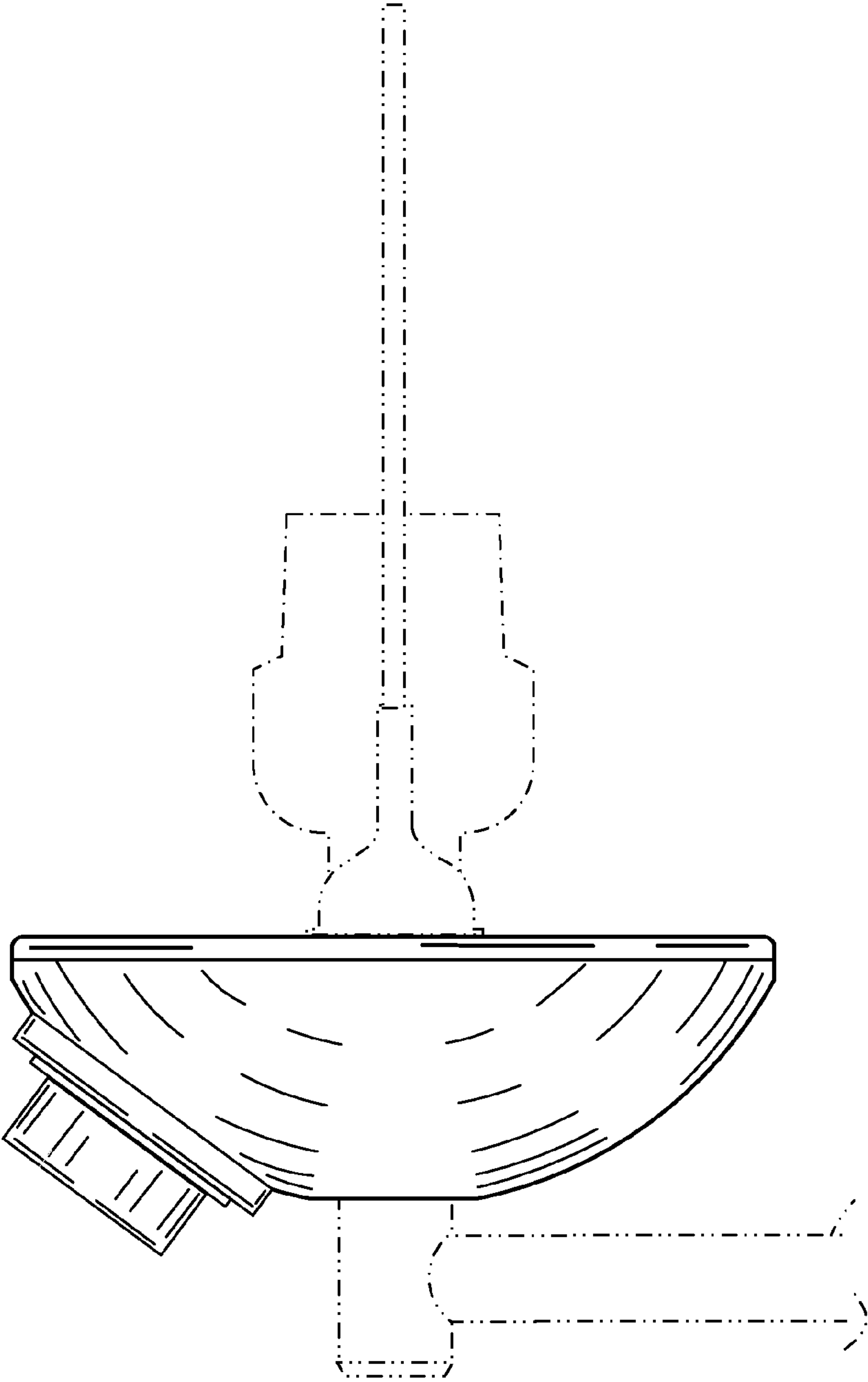


FIG. 2

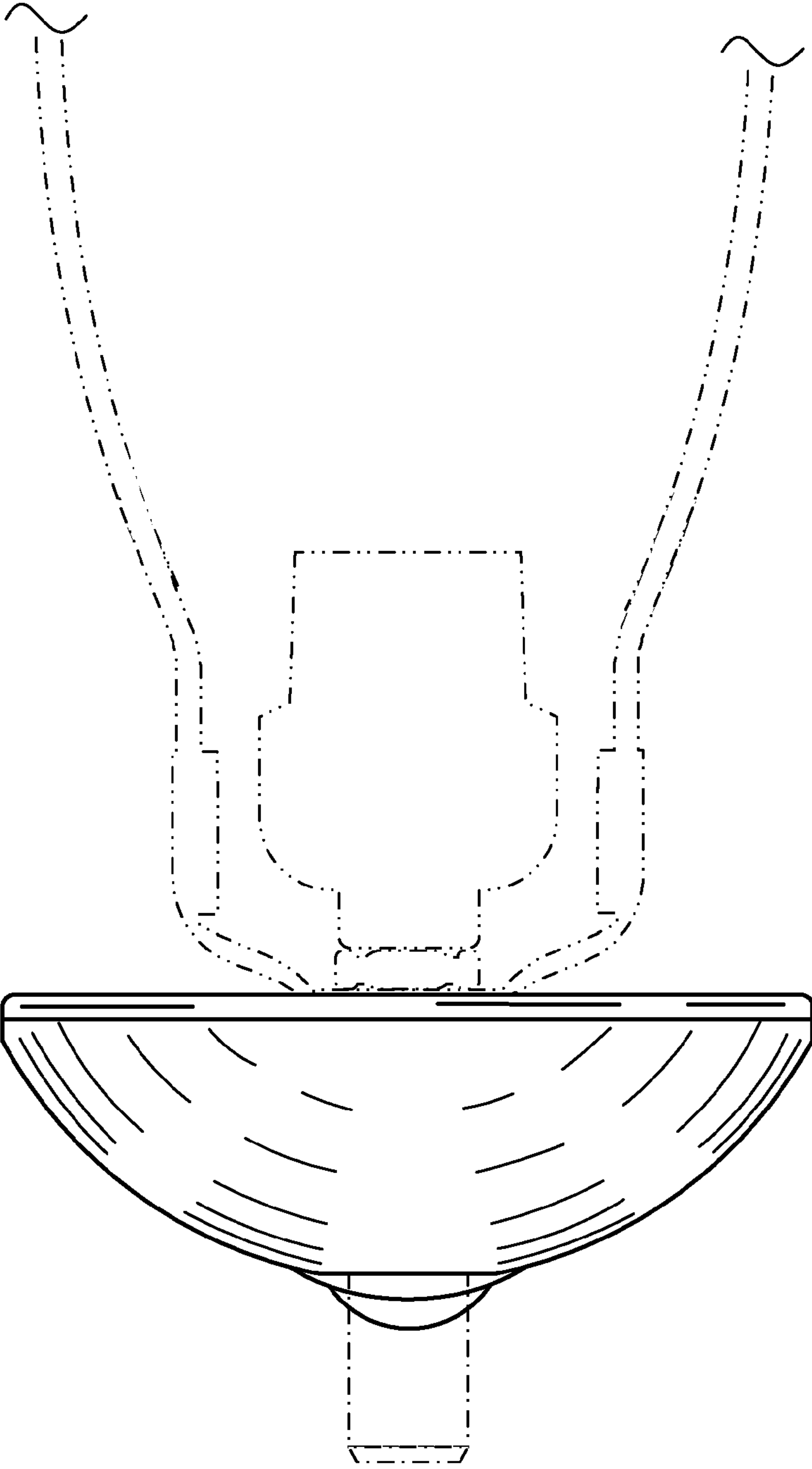


FIG. 3

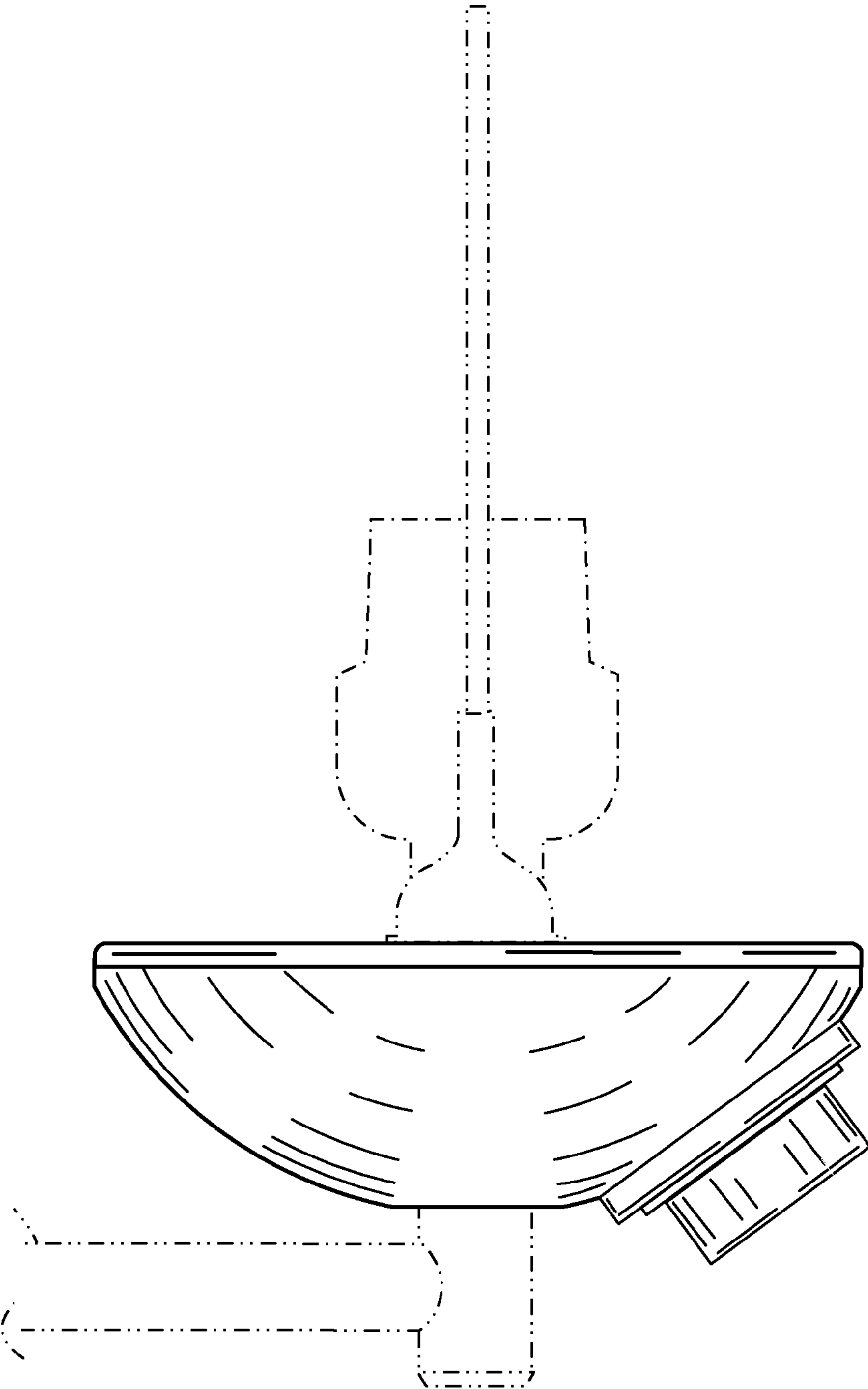


FIG. 4

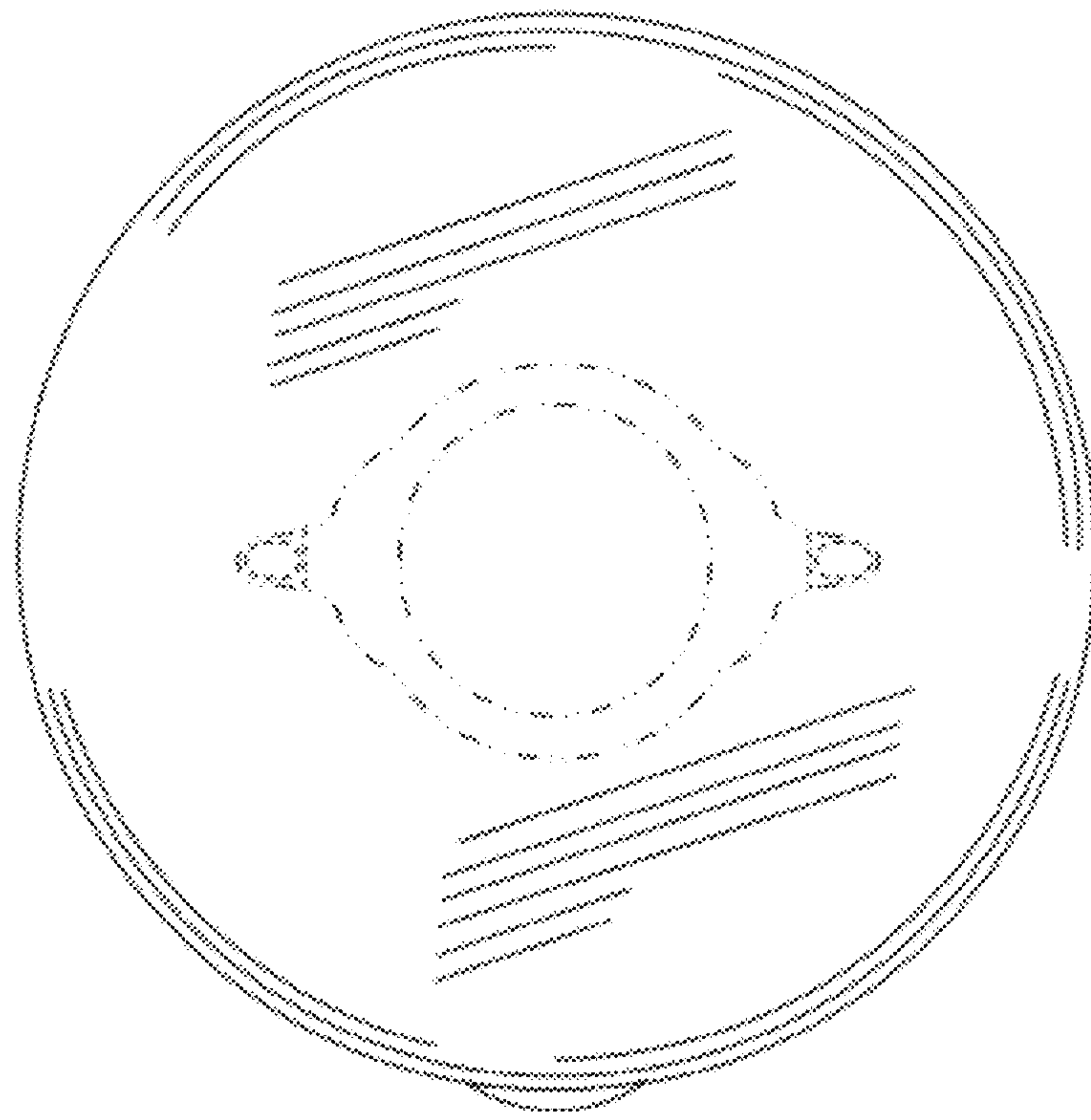


FIG. 5

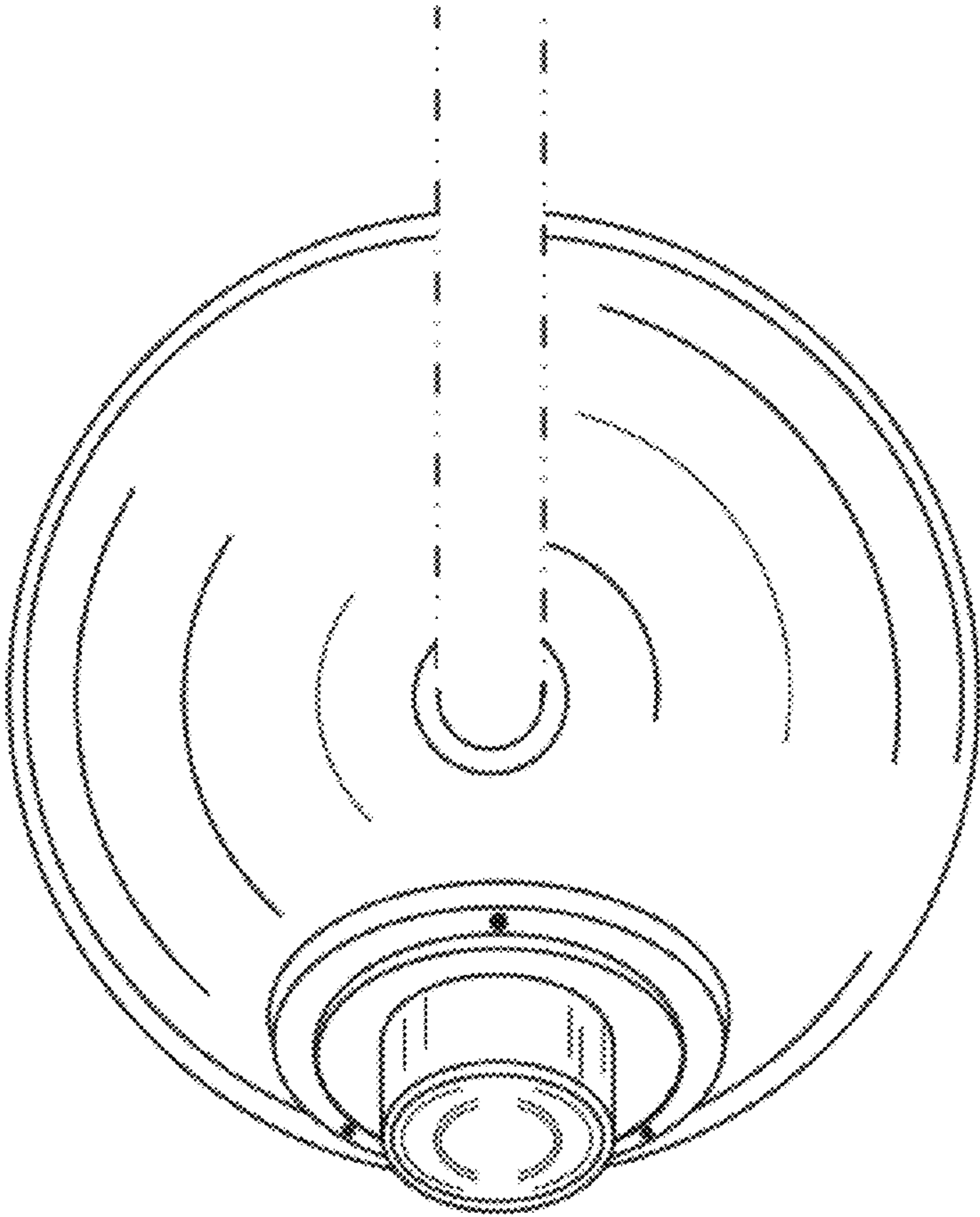


FIG. 6