



US00D673715S

(12) **United States Design Patent**  
**Huang**

(10) **Patent No.:** **US D673,715 S**

(45) **Date of Patent:** **\*\* Jan. 1, 2013**

(54) **TABLE LAMP**

(75) Inventor: **Huo-Tu Huang**, New Taipei (TW)

(73) Assignee: **Huangslite Industrial Co., Ltd.**, New Taipei (TW)

(\*\*) Term: **14 Years**

(21) Appl. No.: **29/402,764**

(22) Filed: **Sep. 27, 2011**

(51) **LOC (9) Cl.** ..... **26-03**

(52) **U.S. Cl.** ..... **D26/93**

(58) **Field of Classification Search** ..... D26/24,  
D26/61-67, 93, 102, 104-105, 108-109;  
362/509, 516, 523, 186, 217, 255, 257, 277,  
362/317, 319, 351, 354, 355, 357, 358, 362,  
362/382, 410, 413, 417, 806

See application file for complete search history.

(56) **References Cited**

**U.S. PATENT DOCUMENTS**

D301,632 S \* 6/1989 Lohrentz ..... D26/61  
D473,676 S \* 4/2003 Barber ..... D26/93

D589,641 S \* 3/2009 Sabernig ..... D26/93  
D590,091 S \* 4/2009 Starck ..... D26/93  
D609,391 S \* 2/2010 Schieffelin et al. .... D26/93  
D618,378 S \* 6/2010 Huang ..... D26/93  
D618,844 S \* 6/2010 Huang ..... D26/93  
D624,231 S \* 9/2010 Karim ..... D26/93

\* cited by examiner

*Primary Examiner* — Brian N Vinson

(57) **CLAIM**

I claim the ornamental design for table lamp, as shown and described.

**DESCRIPTION**

FIG. 1. is a perspective view of table lamp showing my new design

FIG. 2. is a front elevational view thereof;

FIG. 3. is a rear elevational view thereof;

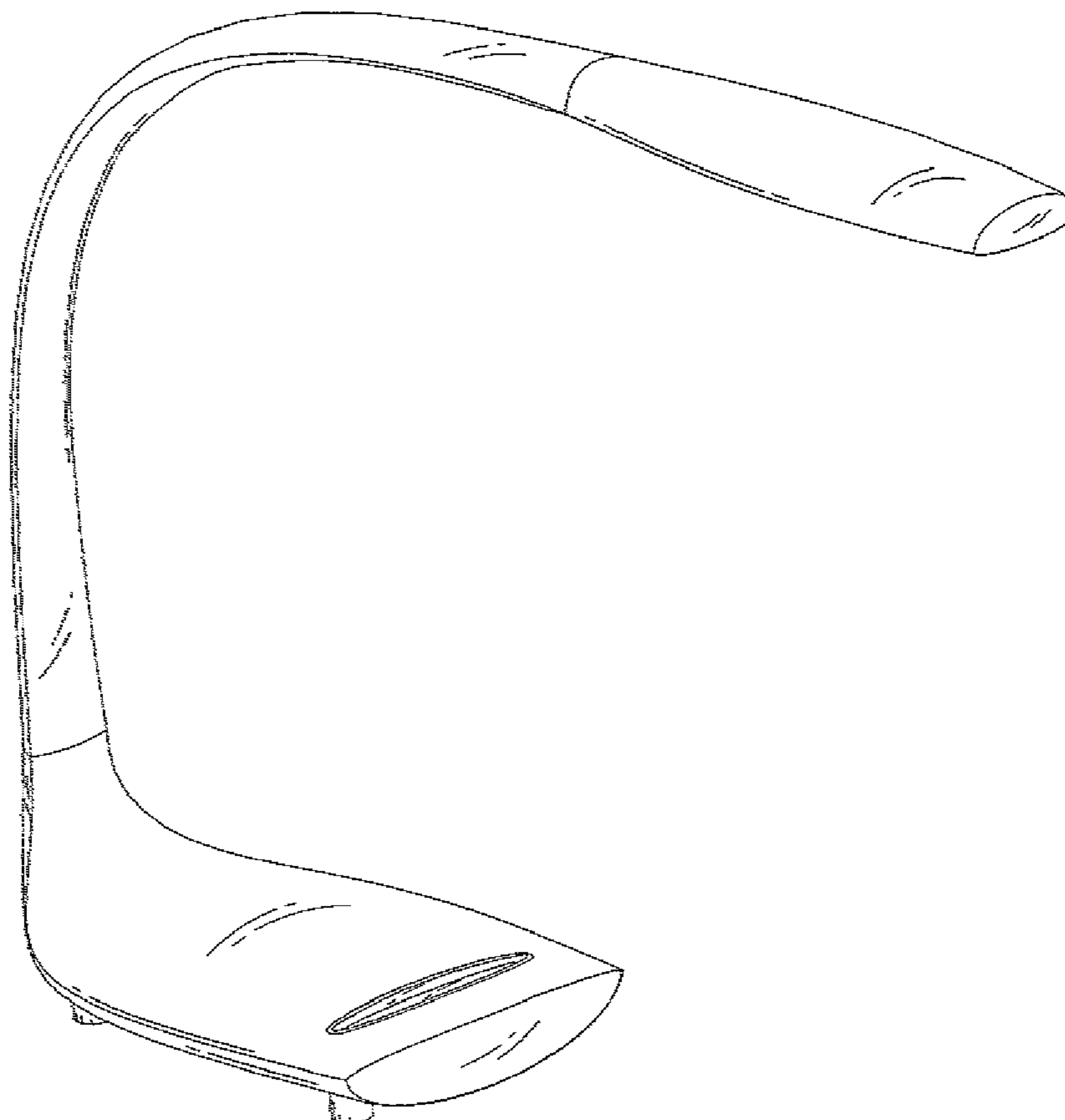
FIG. 4. is a left side elevational view thereof;

FIG. 5. is a right side elevational view thereof;

FIG. 6. is a top plan view thereof; and,

FIG. 7. is a bottom plan view thereof.

**1 Claim, 5 Drawing Sheets**



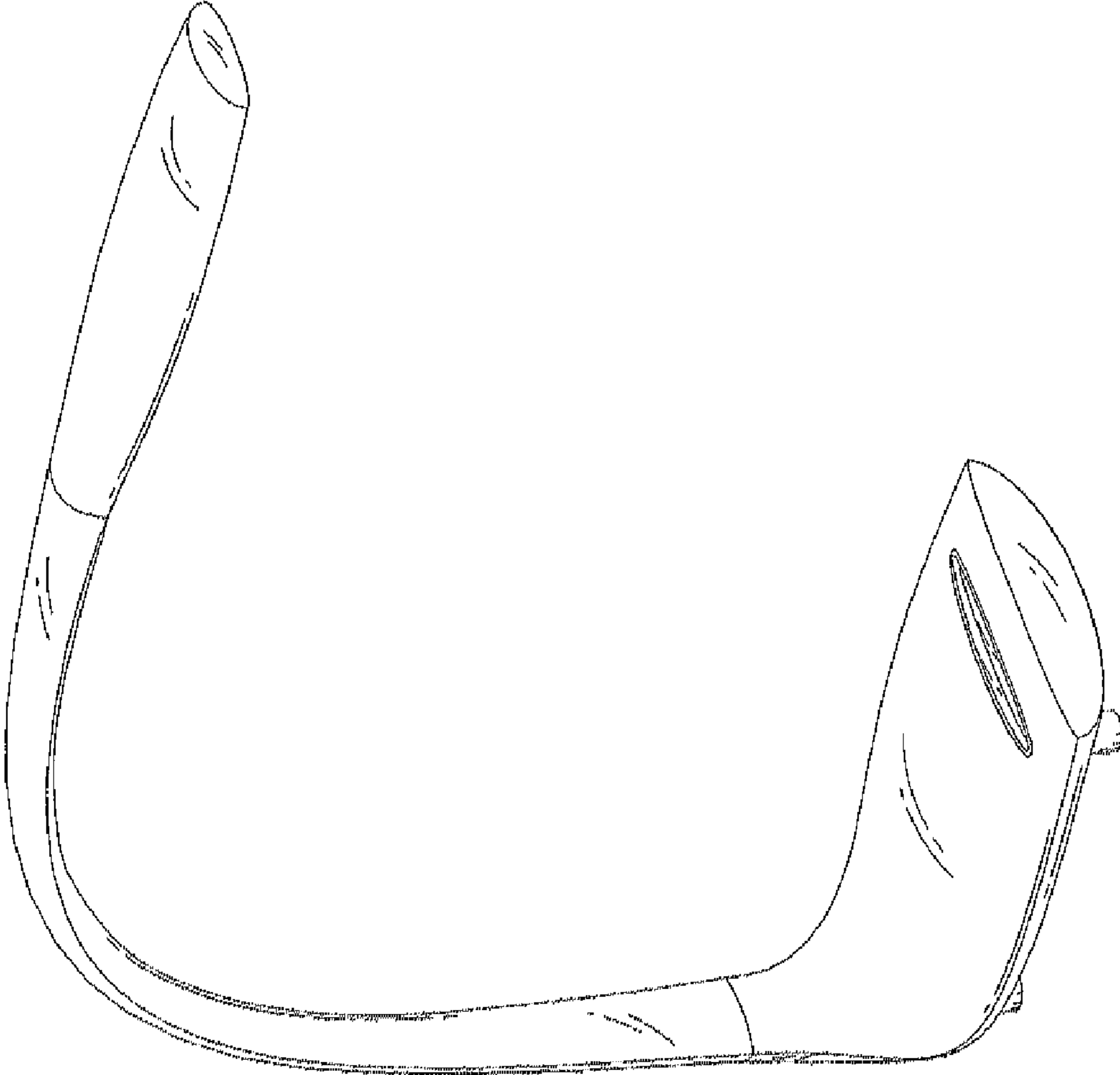


FIG. 1

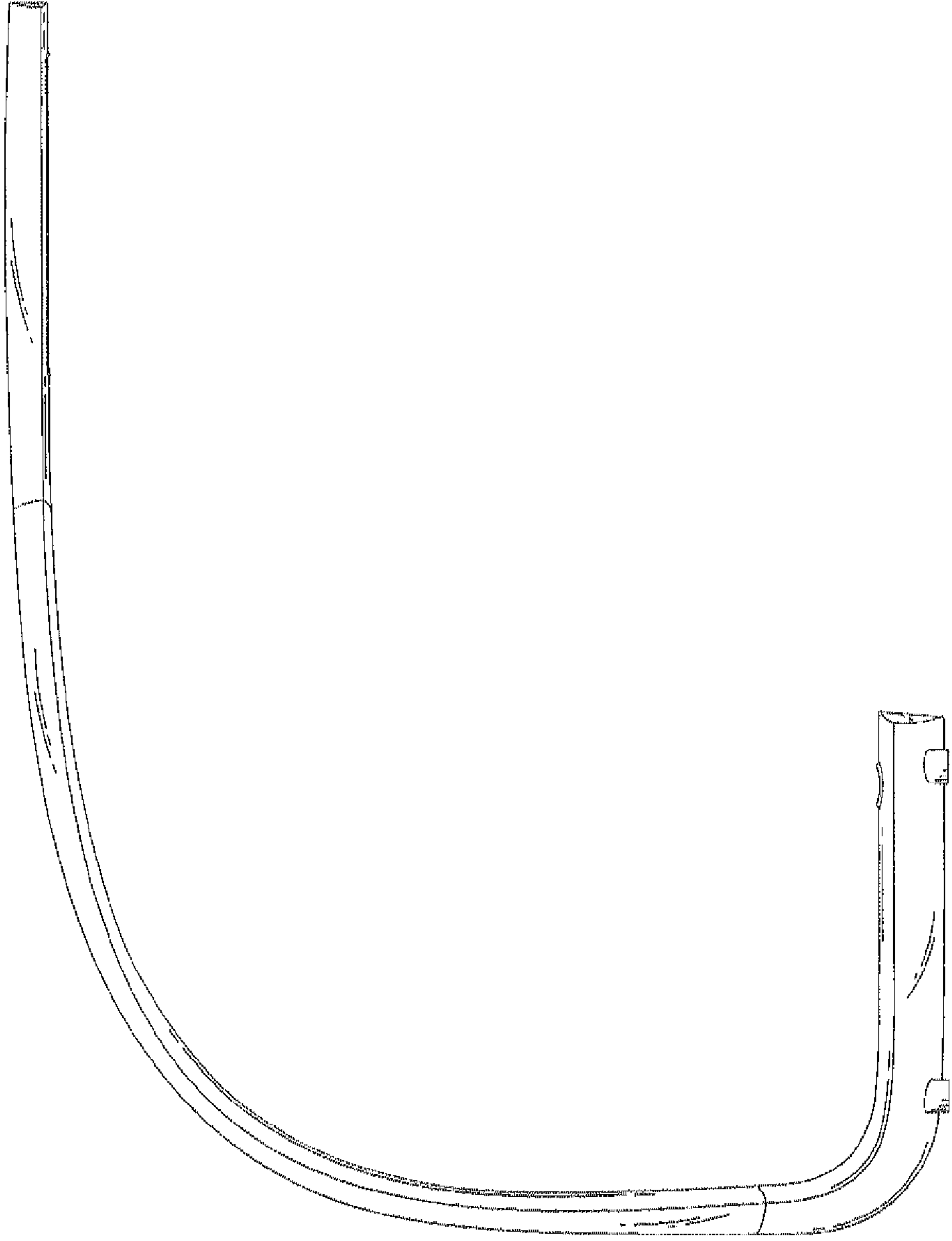


FIG.2

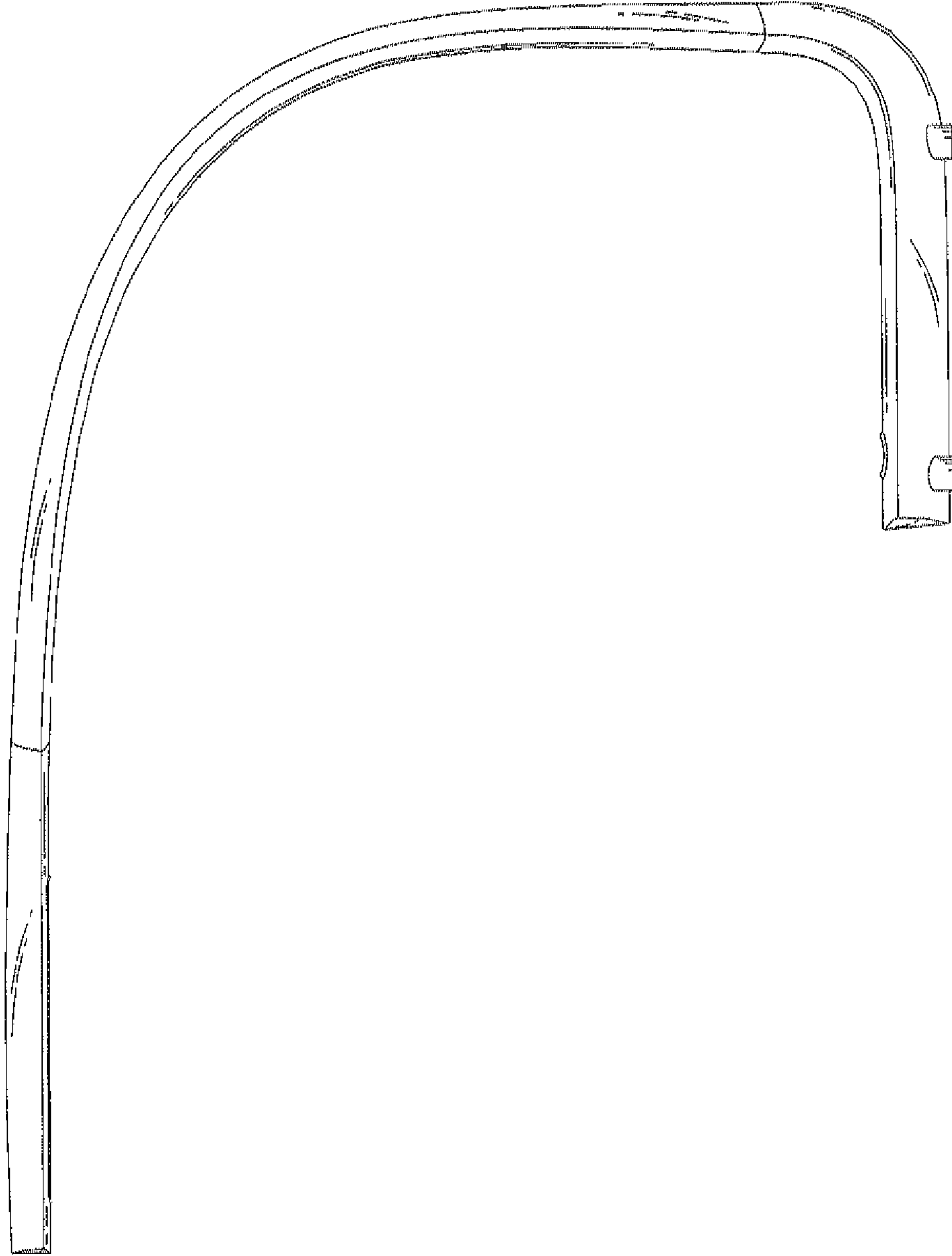


FIG. 3

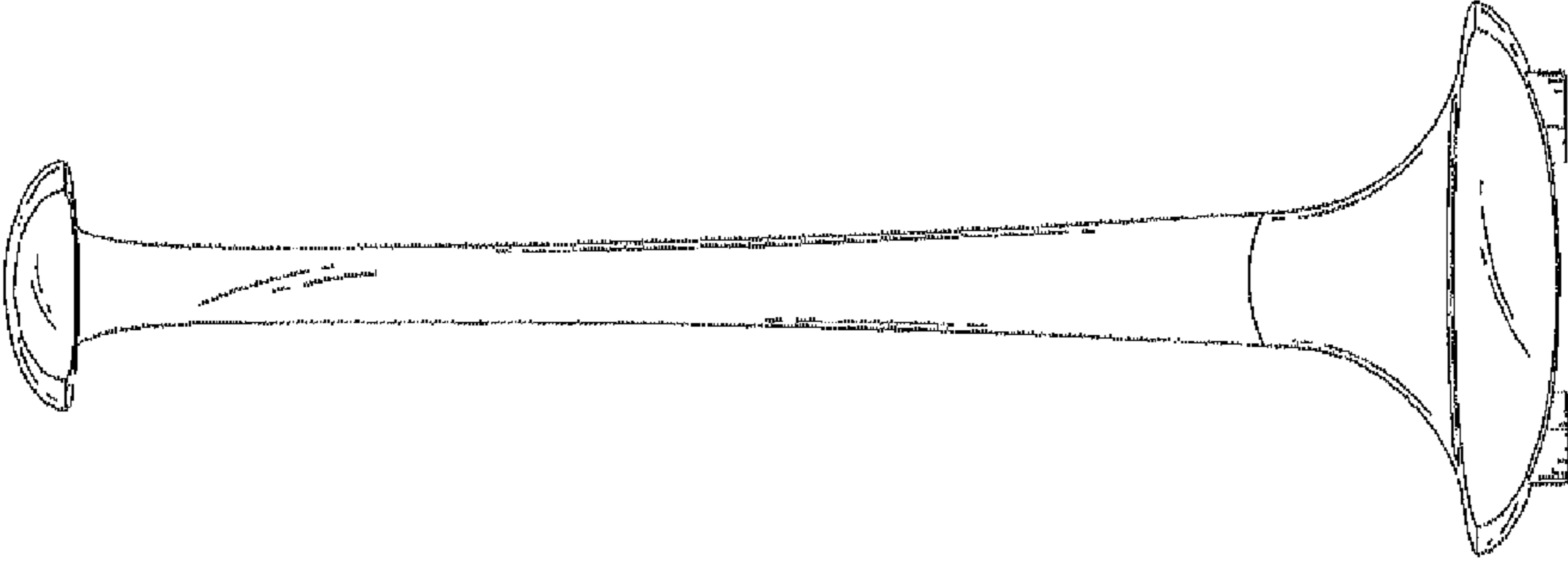


FIG. 5

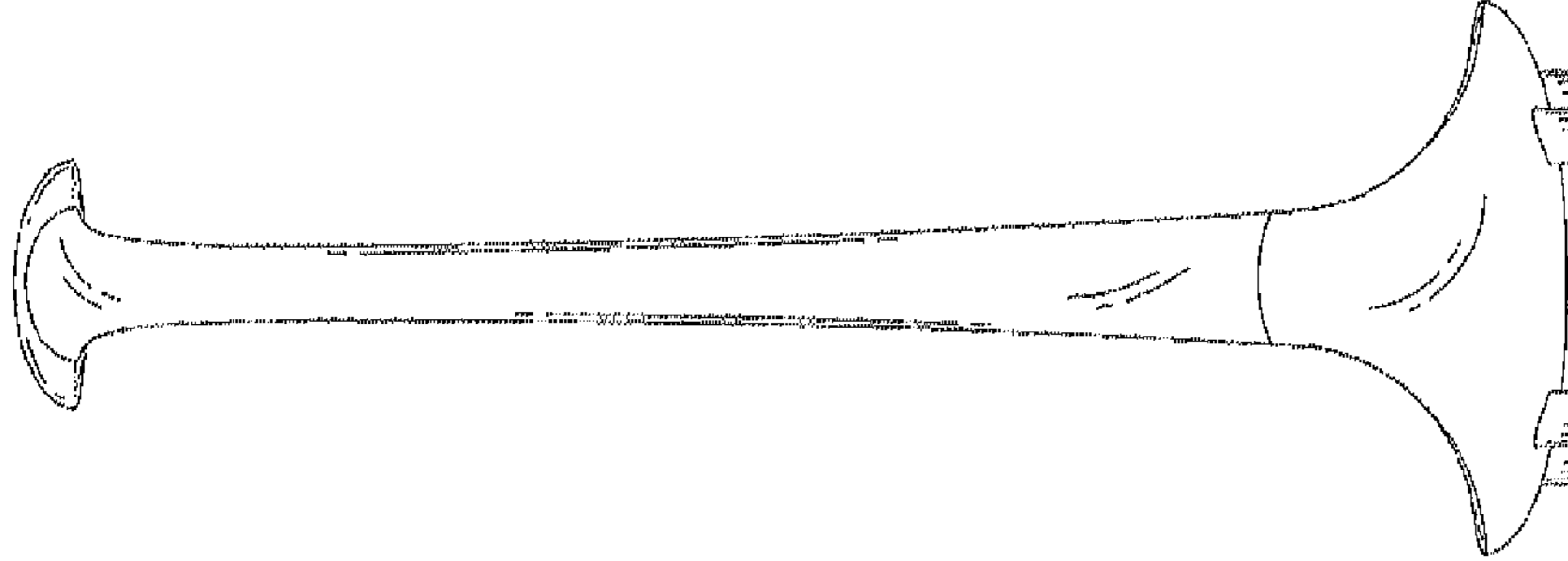


FIG. 4

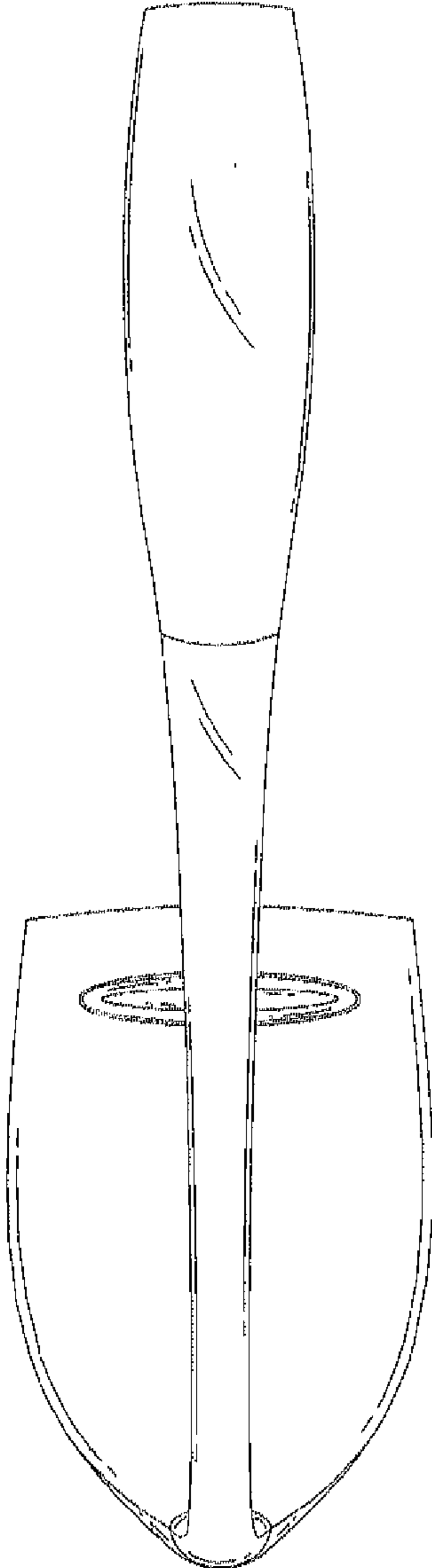


FIG. 6

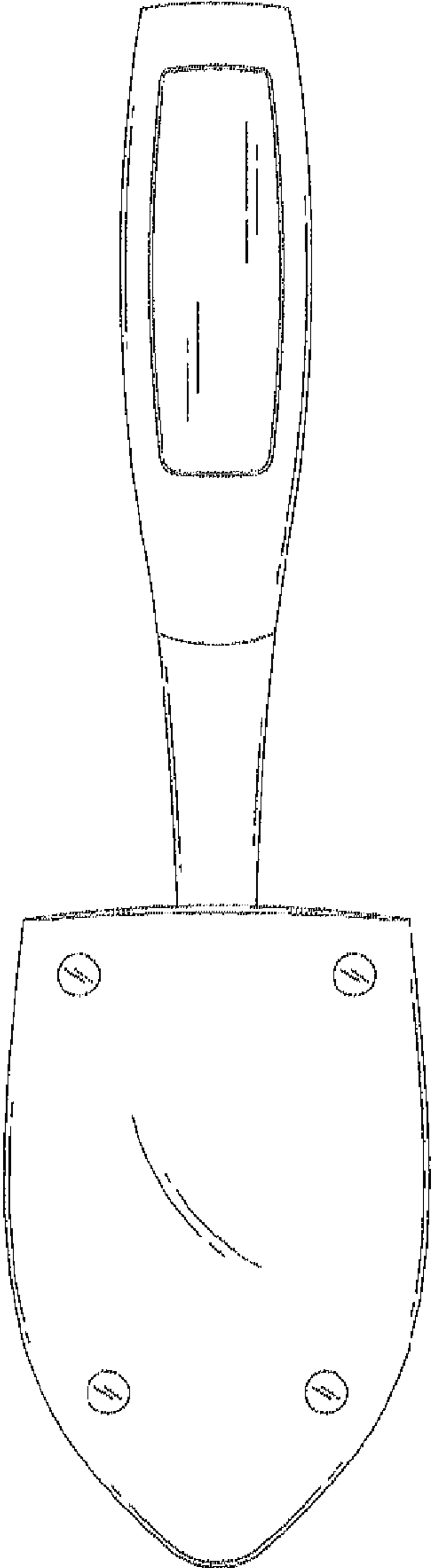


FIG. 7