



US00D673714S

(12) **United States Design Patent**
Starck

(10) **Patent No.:** **US D673,714 S**
(45) **Date of Patent:** **** Jan. 1, 2013**

(54) **TABLE LAMP**
(75) Inventor: **Philippe Starck**, Brescia (IT)
(73) Assignee: **Flos, S.p.A.**, Brescia (IT)
(**) Term: **14 Years**

D301,632 S * 6/1989 Lohrentz D26/61
D539,970 S * 4/2007 Waldmann D26/107
D580,578 S * 11/2008 Chien D26/63
D641,916 S * 7/2011 Witsch D26/93
D645,185 S * 9/2011 Chen et al. D26/63
D654,199 S * 2/2012 Xie D26/63
D658,804 S * 5/2012 Starck D26/93

* cited by examiner

(21) Appl. No.: **29/397,707**
(22) Filed: **Jul. 20, 2011**

Primary Examiner — Brian N Vinson
(74) *Attorney, Agent, or Firm* — Kilyk & Bowersox,
P.L.L.C.

(30) **Foreign Application Priority Data**

Feb. 18, 2011 (IT) BS2011O0004

(51) **LOC (9) Cl.** **26-03**
(52) **U.S. Cl.** **D26/93**
(58) **Field of Classification Search** D26/24,
D26/61-67, 93, 102, 104-105, 108-109;
362/509, 516, 523, 186, 217, 255, 257, 277,
362/317, 319, 351, 354, 355, 357, 358, 362,
362/382, 410, 413, 417, 806
See application file for complete search history.

(57) **CLAIM**
The design for a table lamp, as shown and described.

DESCRIPTION

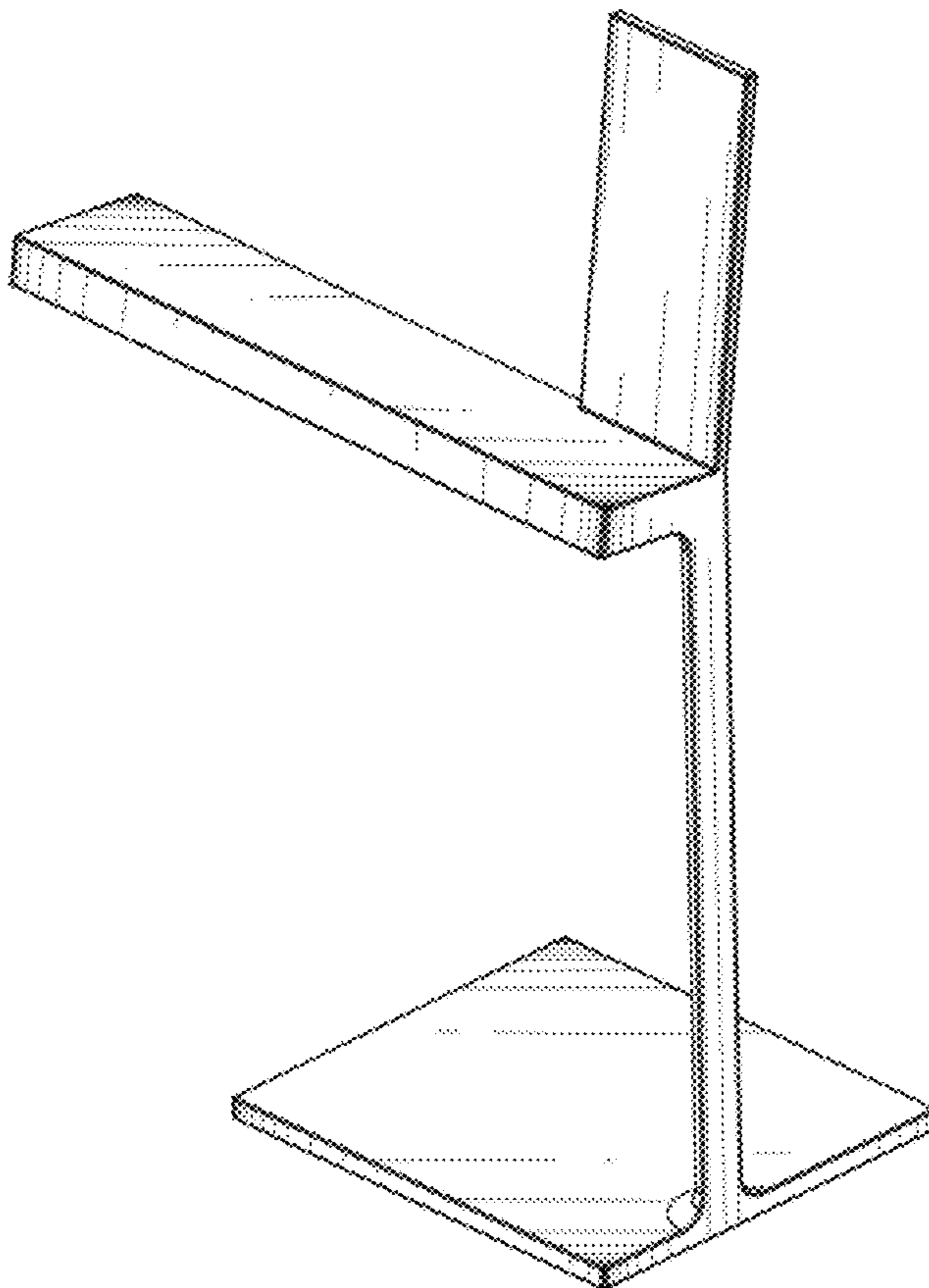
FIG. 1 is a rear perspective view of a table lamp, showing my new design;
FIG. 2 is the front view thereof;
FIG. 3 is the rear view thereof;
FIG. 4 is the right side view thereof;
FIG. 5 is the left side view thereof;
FIG. 6 is the top view thereof; and,
FIG. 7 is the bottom view thereof.

(56) **References Cited**

U.S. PATENT DOCUMENTS

D122,711 S * 9/1940 May D26/63
D151,855 S * 11/1948 Nitardy D26/65

1 Claim, 7 Drawing Sheets



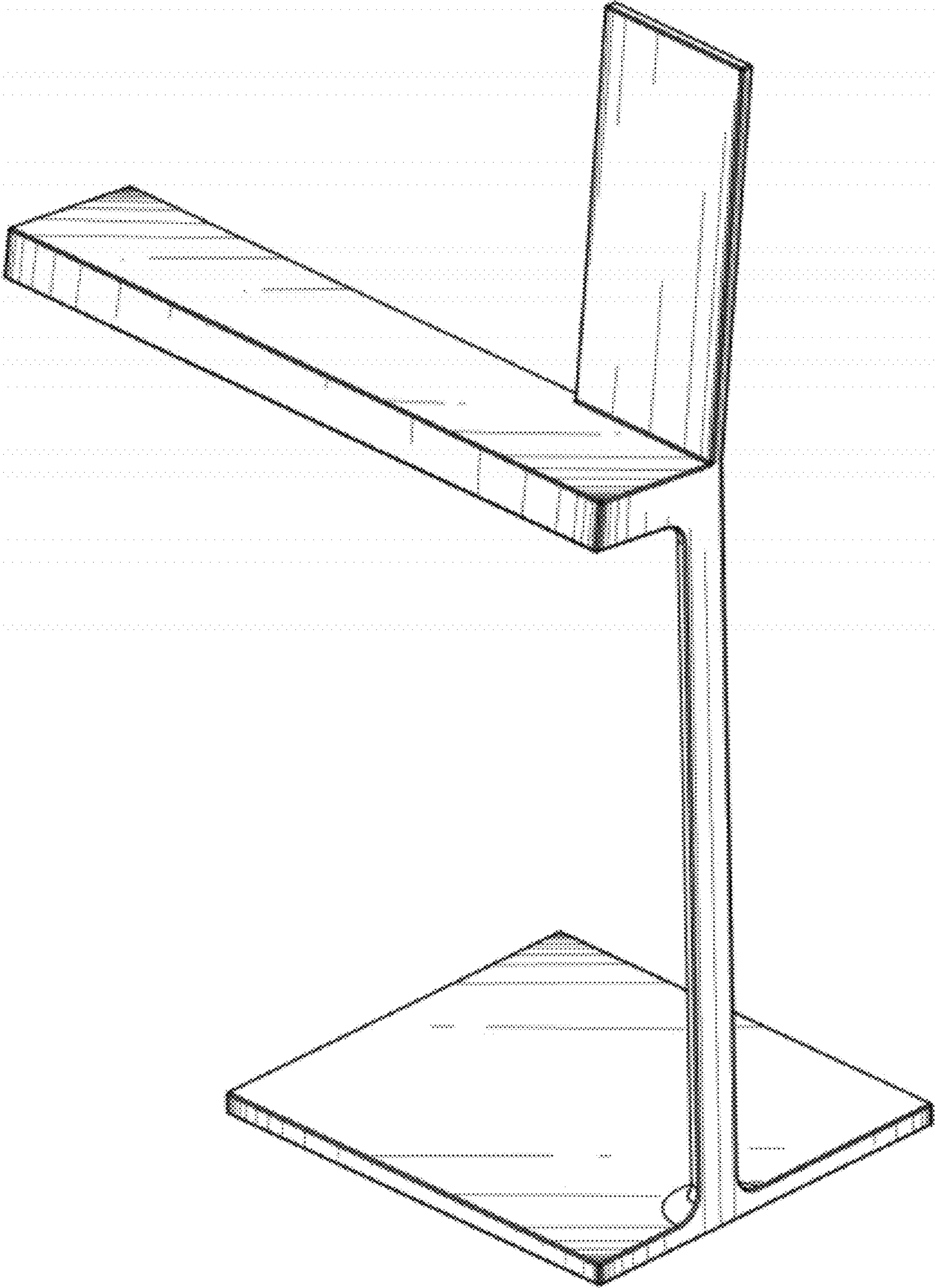


FIG. 1

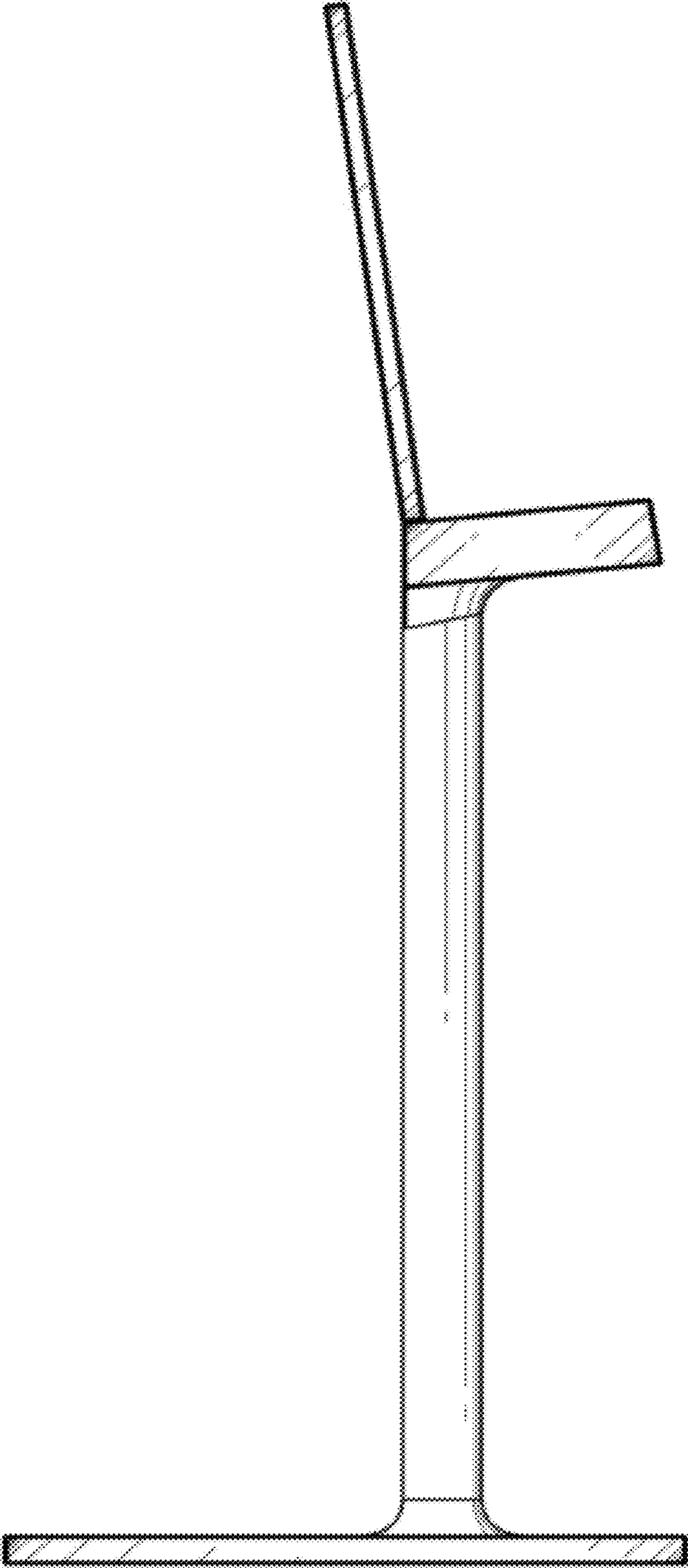


FIG. 2

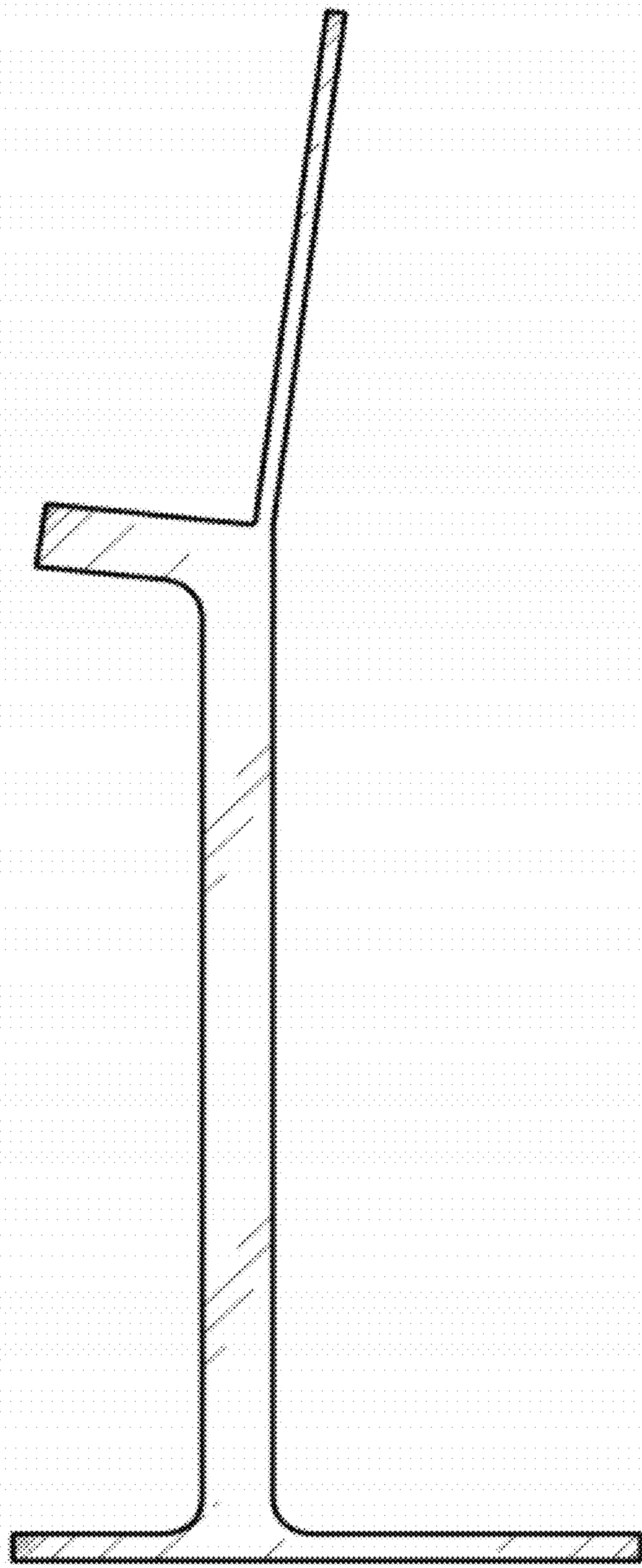


FIG. 3

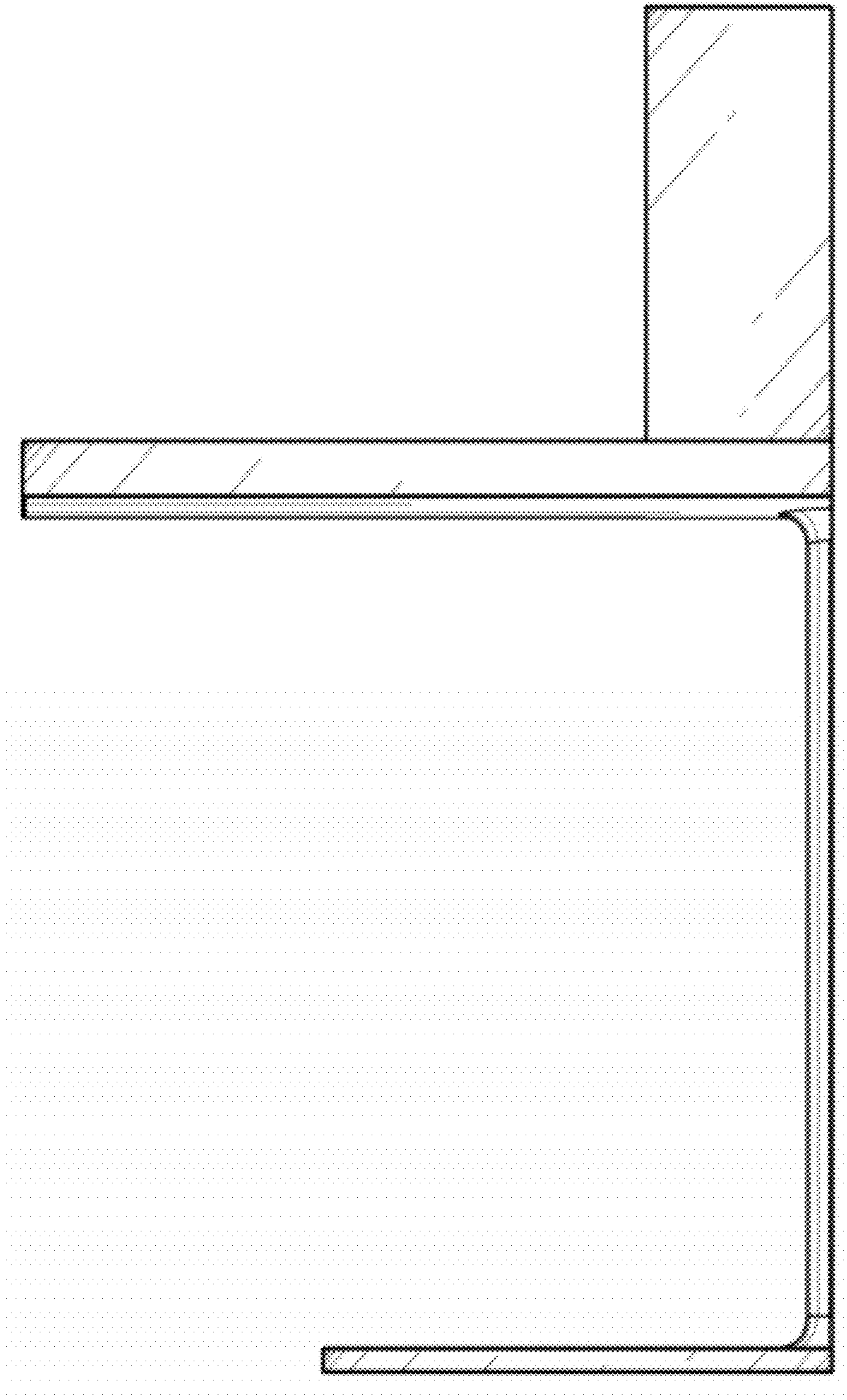


FIG. 4

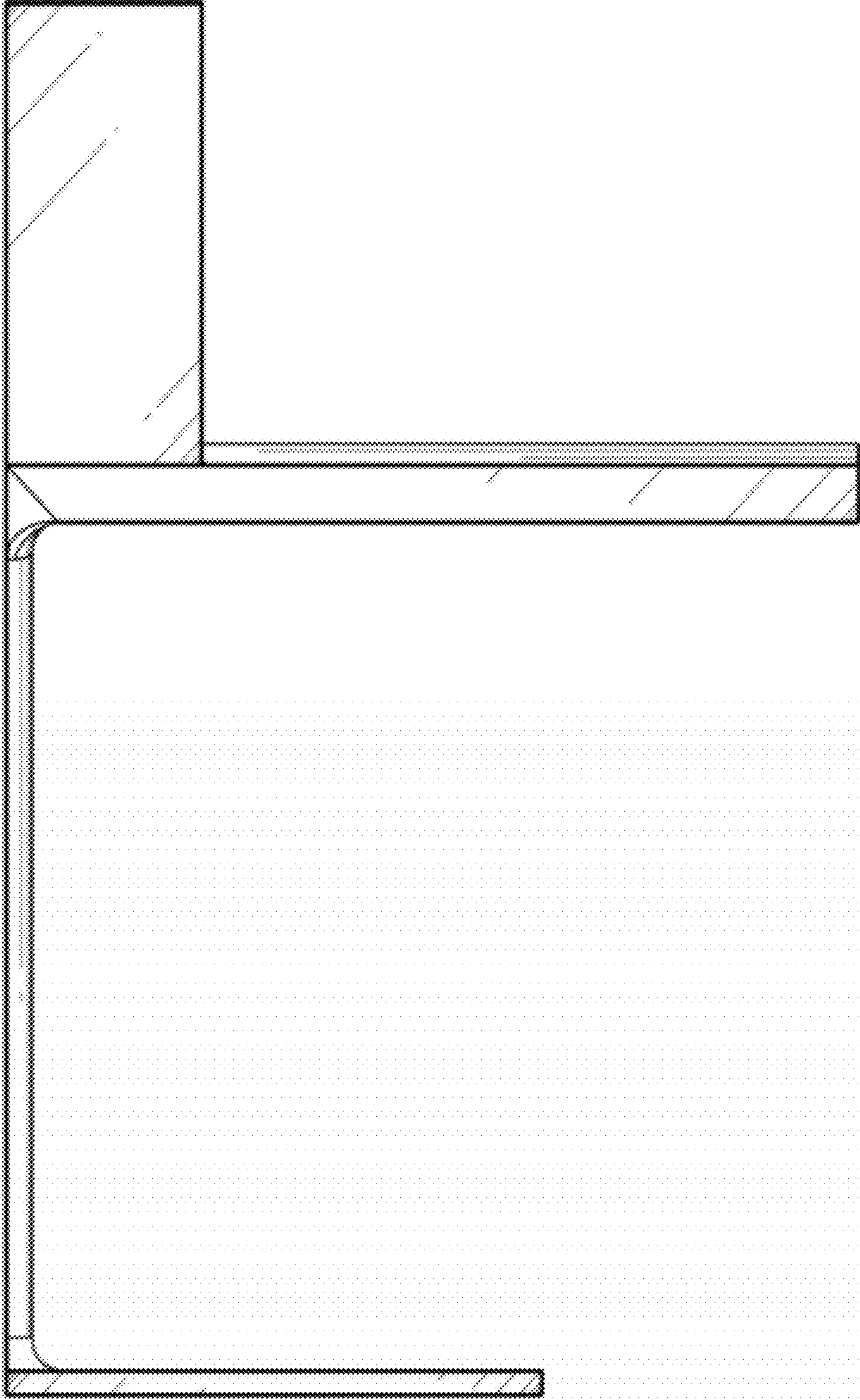


FIG. 5

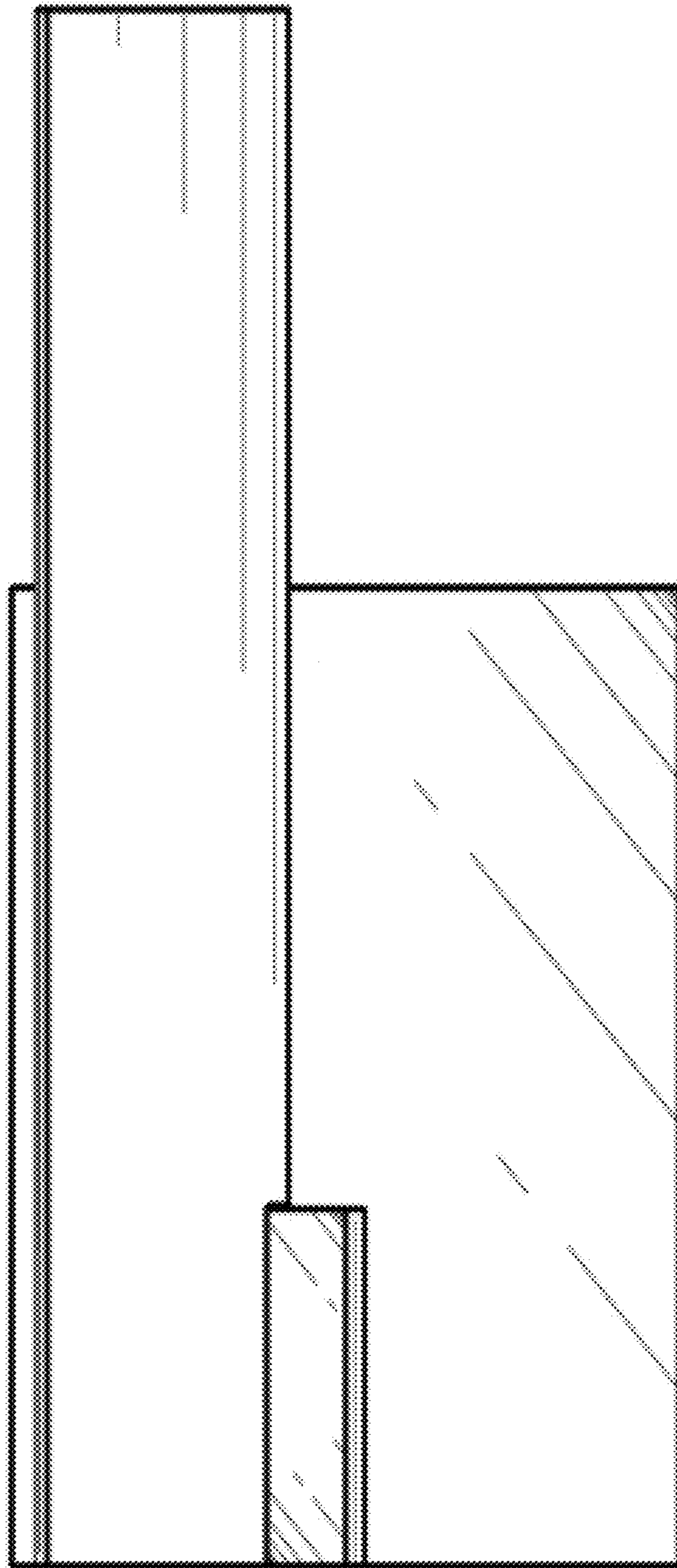


FIG. 6

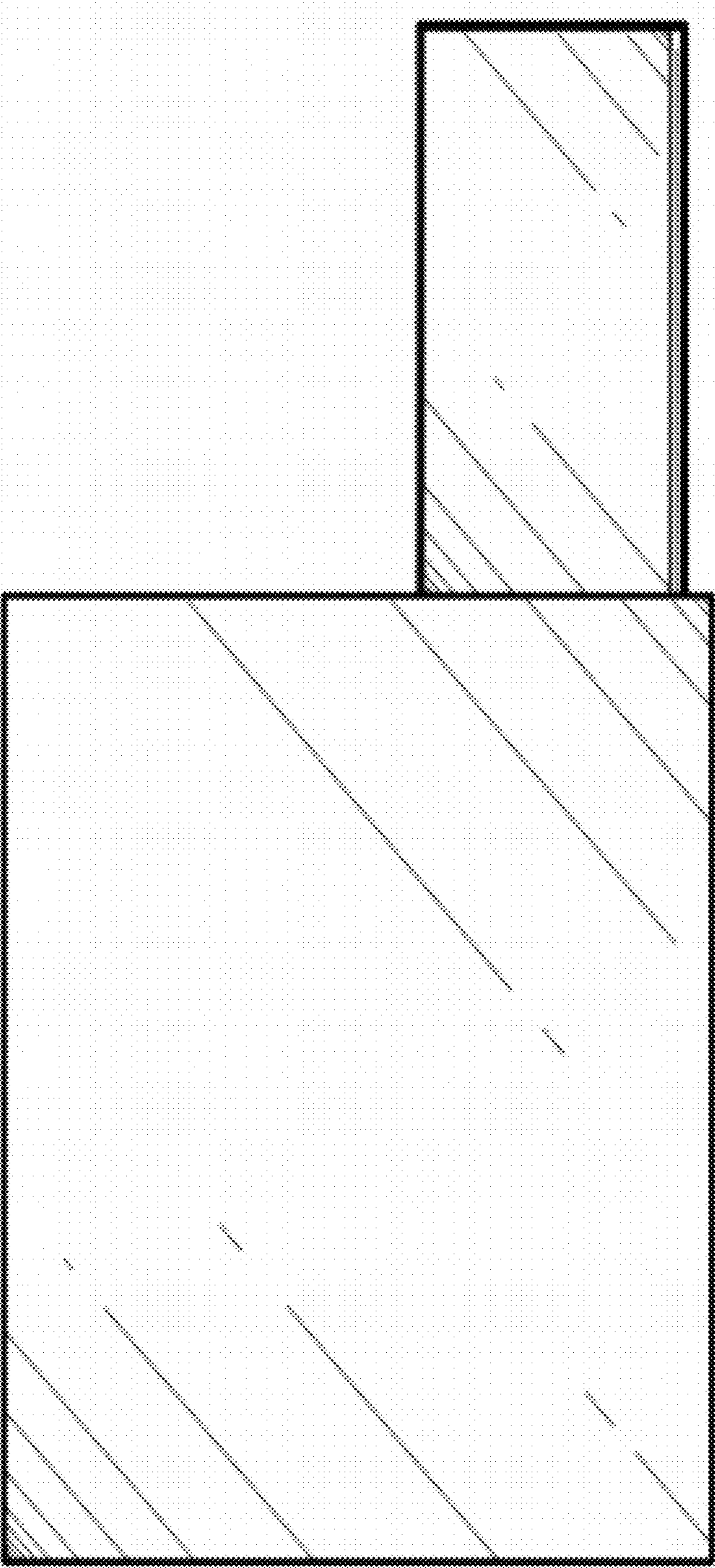


FIG. 7