



US00D673713S

(12) **United States Design Patent**
Sage et al.

(10) **Patent No.:** **US D673,713 S**
(45) **Date of Patent:** **** Jan. 1, 2013**

- (54) **SCONCE**
- (75) Inventors: **Mark Sage**, Atlanta, GA (US); **Ruud Nijssen**, Trzcinica (PL)
- (73) Assignee: **Restoration Hardware, Inc.**, Corte Madera, CA (US)
- (**) Term: **14 Years**
- (21) Appl. No.: **29/399,876**
- (22) Filed: **Aug. 19, 2011**
- (51) **LOC (9) Cl.** **26-03**
- (52) **U.S. Cl.** **D26/87**
- (58) **Field of Classification Search** D26/85,
D26/86, 87, 89, 92, 128, 138, 141, 155; 362/147,
362/404-408, 431, 432
See application file for complete search history.

(56) **References Cited**

U.S. PATENT DOCUMENTS

D24,428 S *	6/1895	Langenbach	D25/145
D66,965 S *	4/1925	Boehringer	D26/155
D72,351 S	4/1927	Crumley		
D72,353 S	4/1927	Crumley		
D78,923 S *	7/1929	DiGaudio	D26/155

D79,090 S	7/1929	Gaudio		
D82,136 S *	9/1930	Chapman	D26/87
D124,182 S	12/1940	McCann		
D161,700 S *	1/1951	Marker	D26/76
3,008,742 A *	11/1961	Goldstein	362/431
D198,274 S *	5/1964	Rycus	D26/87
D394,125 S *	5/1998	Barry	D26/87
D438,665 S *	3/2001	Rochon	D26/87
D442,317 S *	5/2001	Crosby	D26/87
D461,275 S *	8/2002	De'Armond	D26/155
D465,597 S *	11/2002	Hsu	D26/87
D506,849 S *	6/2005	Parres	D26/145

* cited by examiner

Primary Examiner — Clare E Heflin

(74) *Attorney, Agent, or Firm* — Guy W. Chambers; Duane Morris LLP

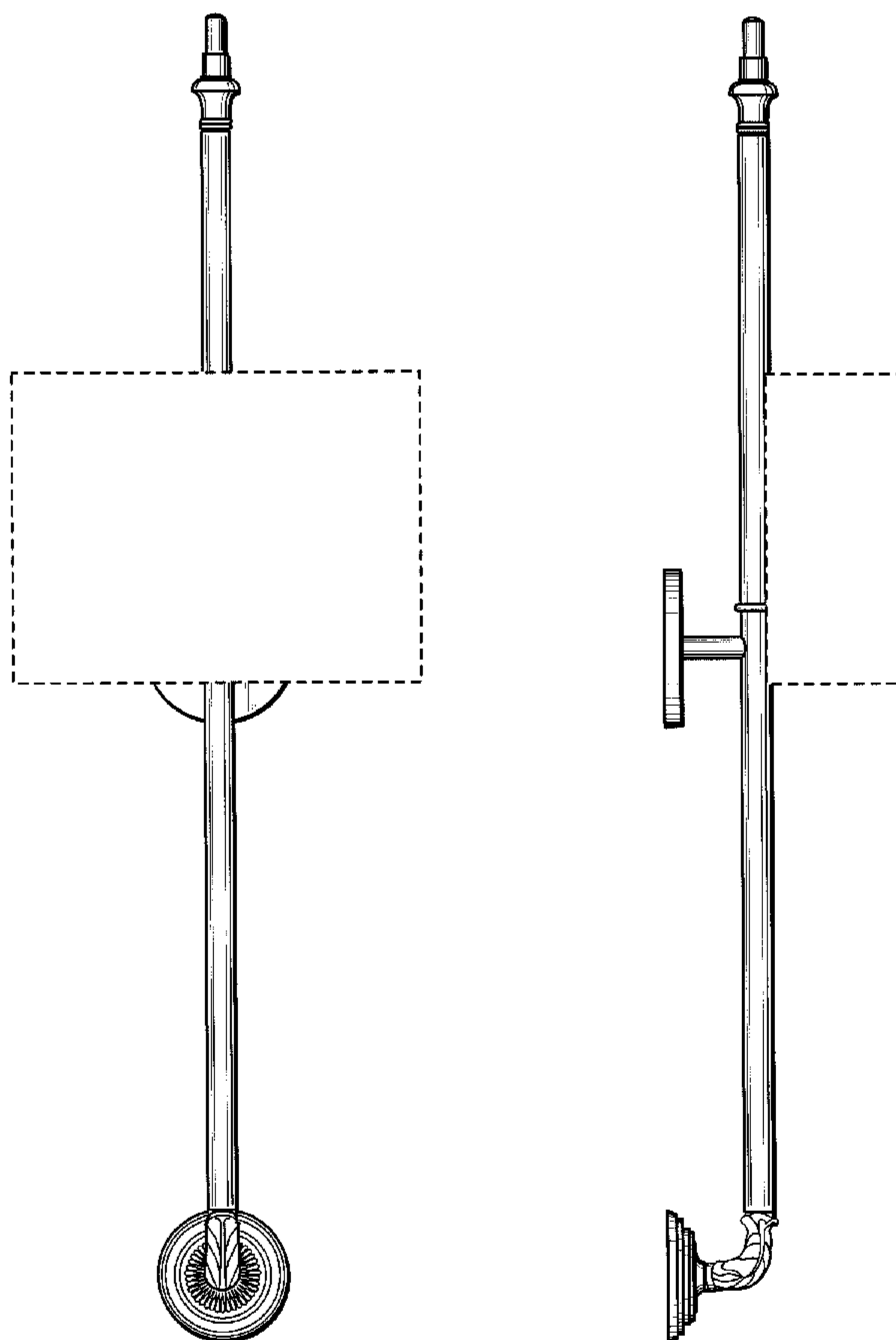
(57) **CLAIM**

The ornamental design for a sconce, as shown and described.

DESCRIPTION

FIG. 1 is a front elevational view of an embodiment of a sconce showing my new design; and, FIG. 2 is a left side elevational view (right side elevational view is a mirror image thereof). The broken lines shown on the drawings depict portions of the sconce that form no part of the claimed design.

1 Claim, 1 Drawing Sheet



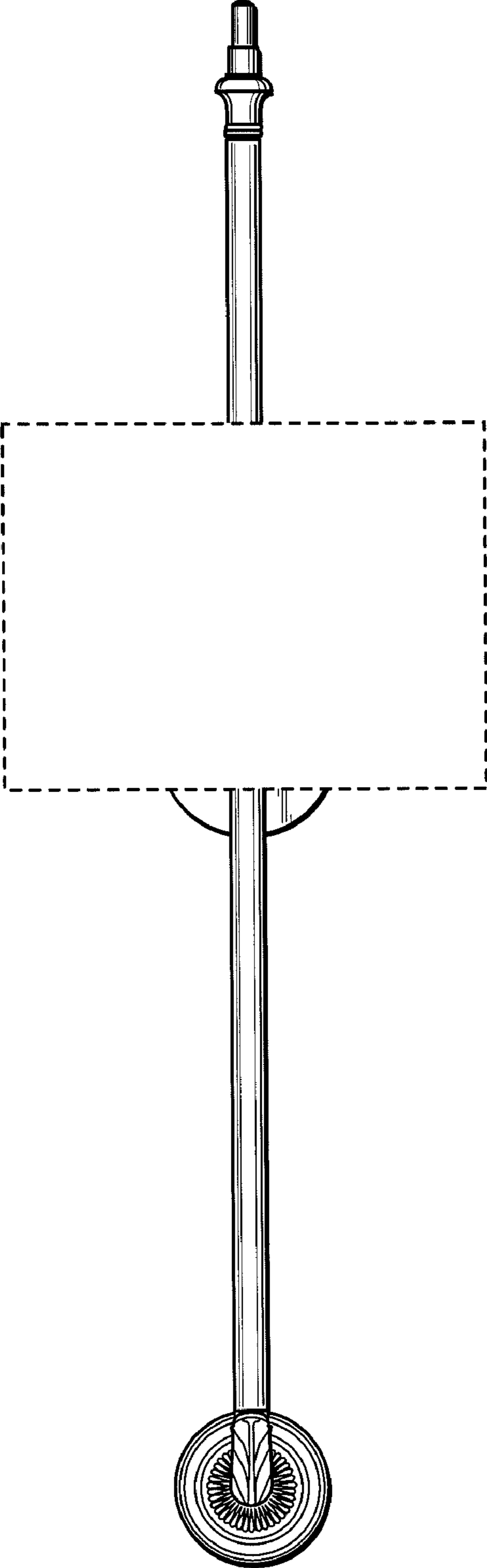


FIG. 1

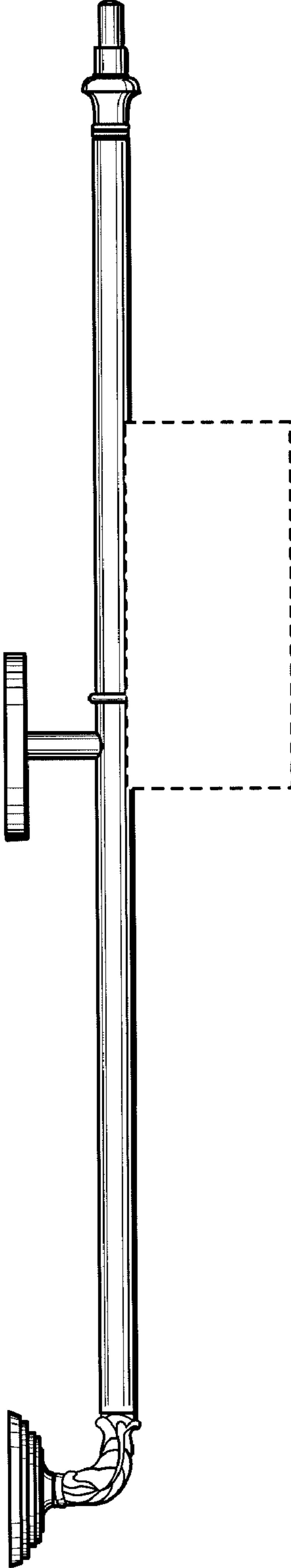


FIG. 2