



US00D673710S

(12) **United States Design Patent**  
**Eichelberger**

(10) **Patent No.:** **US D673,710 S**  
(45) **Date of Patent:** **\*\* Jan. 1, 2013**

(54) **LIGHT HAVING A BENDABLE NECK**

(75) **Inventor:** **Cleatis Allen Eichelberger**, East Norriton, PA (US)

(73) **Assignee:** **Streamlight, Inc.**, Eagleville, PA (US)

(\*\*) **Term:** **14 Years**

(21) **Appl. No.:** **29/405,211**

(22) **Filed:** **Oct. 31, 2011**

(51) **LOC (9) Cl.** ..... **26-05**

(52) **U.S. Cl.** ..... **D26/62**

(58) **Field of Classification Search** ..... D26/60-66,  
D26/37-50; 362/269, 270, 274, 277, 278,  
362/282, 285, 287, 288, 418, 419, 253, 449,  
362/430, 420-426, 428, 429, 396, 183-208  
See application file for complete search history.

(56) **References Cited**

**U.S. PATENT DOCUMENTS**

1,106,828	A	8/1914	Monaghan
1,264,520	A	4/1918	Holmes
1,487,983	A	3/1924	Stiriss
1,607,647	A	11/1926	Seikot
1,623,807	A	4/1927	Oakley
1,810,524	A	6/1931	Lyhne
1,919,024	A	7/1933	Abbotts

(Continued)

**OTHER PUBLICATIONS**

Streamlight, Inc., "Streamlight Jr.® LED®" Information, prior to Oct. 31, 2011, <http://www.streamlight.com/product/product.aspx?pid=101>, 2 pages.

(Continued)

*Primary Examiner* — Susan M Lee

*Assistant Examiner* — Linda G. Brooks

(74) *Attorney, Agent, or Firm* — Clement A. Berard, Esq.; Dann, Dorfman, Herrell & Skillman, PC

(57) **CLAIM**

The ornamental design for a light having a bendable neck, substantially as shown and described.

**DESCRIPTION**

FIG. 1 is a perspective view of an ornamental design for a light having a bendable neck, with the bendable neck thereof formed to a first shape;

FIG. 2 is a perspective view of the light having a bendable neck, with the bendable neck thereof formed to a different shape;

FIG. 3 is a side view of the light having a bendable neck, with the bendable neck thereof formed to a different shape, wherein the opposite side is a mirror image;

FIG. 4 is a side view of the light having a bendable neck, with the bendable neck thereof formed to a different shape, wherein the opposite side is a mirror image;

FIG. 5 is an end view of a first end thereof; with the bendable neck thereof in a shape similar to FIG. 2, shown broken away for ease of illustration;

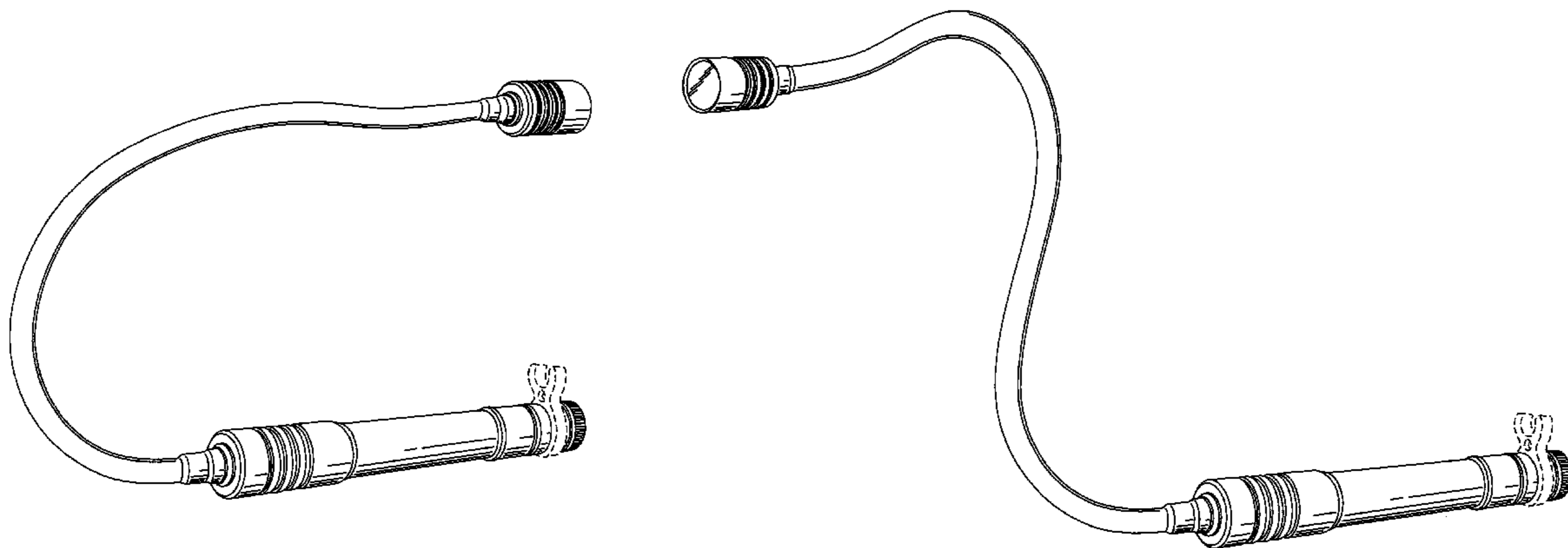
FIG. 6 is an end view opposite the end view in FIG. 5;

FIG. 7 is a side view of the light having a bendable neck as in FIG. 4, but having certain features not part of the design shown in broken line; and,

FIG. 8 is a side view of another side of the light having a bendable neck as in FIG. 7, but having certain features not part of the design shown in broken line.

Broken lines in the illustrations of the DRAWING indicate unclaimed parts of the article or unclaimed environment, or both, that are not part of the design illustrated herein.

**1 Claim, 5 Drawing Sheets**



# US D673,710 S

Page 2

## U.S. PATENT DOCUMENTS

2,183,861	A	12/1939	Cotter, Sr.	D418,235	S	12/1999	Houplain
2,467,954	A	4/1949	Becker	D418,240	S	12/1999	Sherman
D166,073	S	3/1952	Dunkelberger	6,000,809	A	12/1999	Belo
2,648,762	A	8/1953	Dunkelberger	6,004,004	A	12/1999	Altman et al.
D185,496	S	6/1959	Hansen	6,007,214	A	12/1999	Shiao
2,966,872	A	1/1961	Schmocker	D419,704	S	1/2000	Ting
3,041,717	A	7/1962	Brown	D429,534	S	8/2000	Sengsouvanh et al.
3,103,723	A	9/1963	Becker	D430,321	S	8/2000	Sharrah
3,111,277	A	11/1963	Grimsley	D435,679	S	12/2000	Naghi et al.
3,293,895	A	12/1966	Leonard et al.	6,280,050	B1	8/2001	Bird et al.
3,835,272	A	9/1974	Wisembaker	6,296,371	B1	10/2001	Shiau
3,881,468	A	5/1975	Foltz	D450,873	S	11/2001	Opolka
3,887,803	A	6/1975	Savage	D452,024	S	12/2001	Sharrah
D238,604	S	1/1976	Brindley	6,347,878	B1	2/2002	Shiao
4,176,263	A	11/1979	Rousseau	6,402,340	B1	6/2002	Sharrah et al.
4,228,485	A	10/1980	Hubbard	6,471,064	B2	10/2002	Gordon
4,290,095	A	9/1981	Schmidt	D465,865	S	11/2002	Hamilton et al.
4,346,329	A	8/1982	Schmidt	6,491,409	B1	12/2002	Sharrah
4,358,708	A	11/1982	Silva et al.	6,523,972	B2	2/2003	Sharrah et al.
D268,442	S	3/1983	Darmon	RE38,014	E	3/2003	Bieberstein
4,417,299	A	11/1983	Rupp	D479,888	S	9/2003	Sharrah et al.
4,487,983	A	12/1984	Miller et al.	D485,629	S	1/2004	Chan
4,495,550	A	1/1985	Visciano	6,680,844	B2	1/2004	Kim
D283,645	S	4/1986	Tanaka	D486,930	S	2/2004	Stoddard et al.
4,841,417	A	6/1989	Maglica et al.	6,718,136	B2	4/2004	Bird et al.
D302,325	S	7/1989	Charet et al.	D489,839	S	5/2004	Opolka
4,897,769	A	1/1990	Lang	6,811,280	B1	11/2004	Sharrah
4,939,628	A	7/1990	Wang	D502,277	S	2/2005	Chen
5,008,784	A	4/1991	Wang	6,857,758	B1	2/2005	Sharrah
5,131,775	A	7/1992	Chen	6,874,908	B2	4/2005	Sharrah et al.
5,154,483	A	10/1992	Zeller	D507,839	S	7/2005	Man
5,197,796	A	3/1993	Moore	D508,748	S	8/2005	Man
D341,220	S	11/1993	Eagan	D518,212	S	3/2006	Shiu
5,303,133	A	4/1994	Wagner	D521,164	S	5/2006	Sharrah
D346,871	S	5/1994	Zeller	7,152,995	B2	12/2006	Chapman
D349,354	S	8/1994	Yau	D535,773	S	1/2007	Kessler ..... D26/62
5,369,556	A	11/1994	Zeller	D536,116	S	1/2007	Sharrah
D364,935	S	12/1995	deBlois	D544,622	S	6/2007	Cheng
5,499,172	A	3/1996	Shiau	D548,861	S	8/2007	Chapman
D374,734	S	10/1996	Esposito	D548,863	S	8/2007	Shiu
5,571,279	A	11/1996	Chiang	D553,776	S	10/2007	Liu
D377,989	S	2/1997	Marvin et al.	D557,839	S	12/2007	Shiu
D378,858	S	4/1997	Kaiser	D557,840	S	12/2007	Shiu
5,615,945	A	4/1997	Tseng	D578,236	S	10/2008	Dalton
D379,540	S	5/1997	Szymanski				
D379,541	S	5/1997	Kaiser				
D379,542	S	5/1997	Egashira				
D380,061	S	6/1997	Swyst				
D380,844	S	7/1997	Kaiser				
D381,101	S	7/1997	Haberstich et al.				
D381,445	S	7/1997	Linnane				
D381,446	S	7/1997	Kaiser				
D381,447	S	7/1997	Haberstich et al.				
5,642,932	A	7/1997	Matthews				
D382,075	S	8/1997	Swyst				
D383,231	S	9/1997	Kaiser				
D385,637	S	10/1997	Rombough				
D387,454	S	12/1997	Kaiser				
5,707,137	A	1/1998	Hon				
D390,985	S	2/1998	Shiau				
5,716,121	A	2/1998	Dubois				
5,717,276	A	2/1998	Hsu				
D392,758	S	3/1998	Cedarberg, III				
5,722,764	A	3/1998	Jou				
D394,721	S	5/1998	Santarsiero				
D403,451	S	12/1998	Ting				
D403,453	S	12/1998	Shiau				
D407,508	S	3/1999	Chiu				
5,975,712	A	11/1999	Shiao				

## OTHER PUBLICATIONS

Streamlight, Inc., "Streamlight Jr.® LED Flashlight", Mar. 2011, 1 page.

Streamlight, Inc., "Streamlight Jr.® LED Product Fact Sheet", Jul. 12, 2010, Document #147, 1 page.

Streamlight, Inc., "Streamlight Jr.® Reach LED" Information, prior to Oct. 31, 2011, <http://www.streamlight.com/product/product.aspx?pid=100>, 2 pages.

Streamlight, Inc., "Streamlight Jr.® Reach LED Flashlight", Jan. 2012, 1 pg.

Streamlight, Inc., "Streamlight Jr.® Reach LED Product Fact Sheet", Dec. 21, 2011, Document #247, 1 page.

Eveready Lighting products, Catalog, Spring 1983, 24 Pages.

Promo-lite Brochure, published before May 2007, 4 Pages.

Stuart Schneider, "Collecting Flashlight With Value Guide", Schiffer Publishing Ltd, 1996, 22 Pages.

Streamlight, Inc., "LED Lamp assembly", Drawing No. C130143, Mar. 1997.

Streamlight, Inc., "Stylus Series—Stylus Pro®", printed Oct. 6, 2001, 2 pages, <http://www.streamlight.com/product/product.aspx?pid=133>.

\* cited by examiner

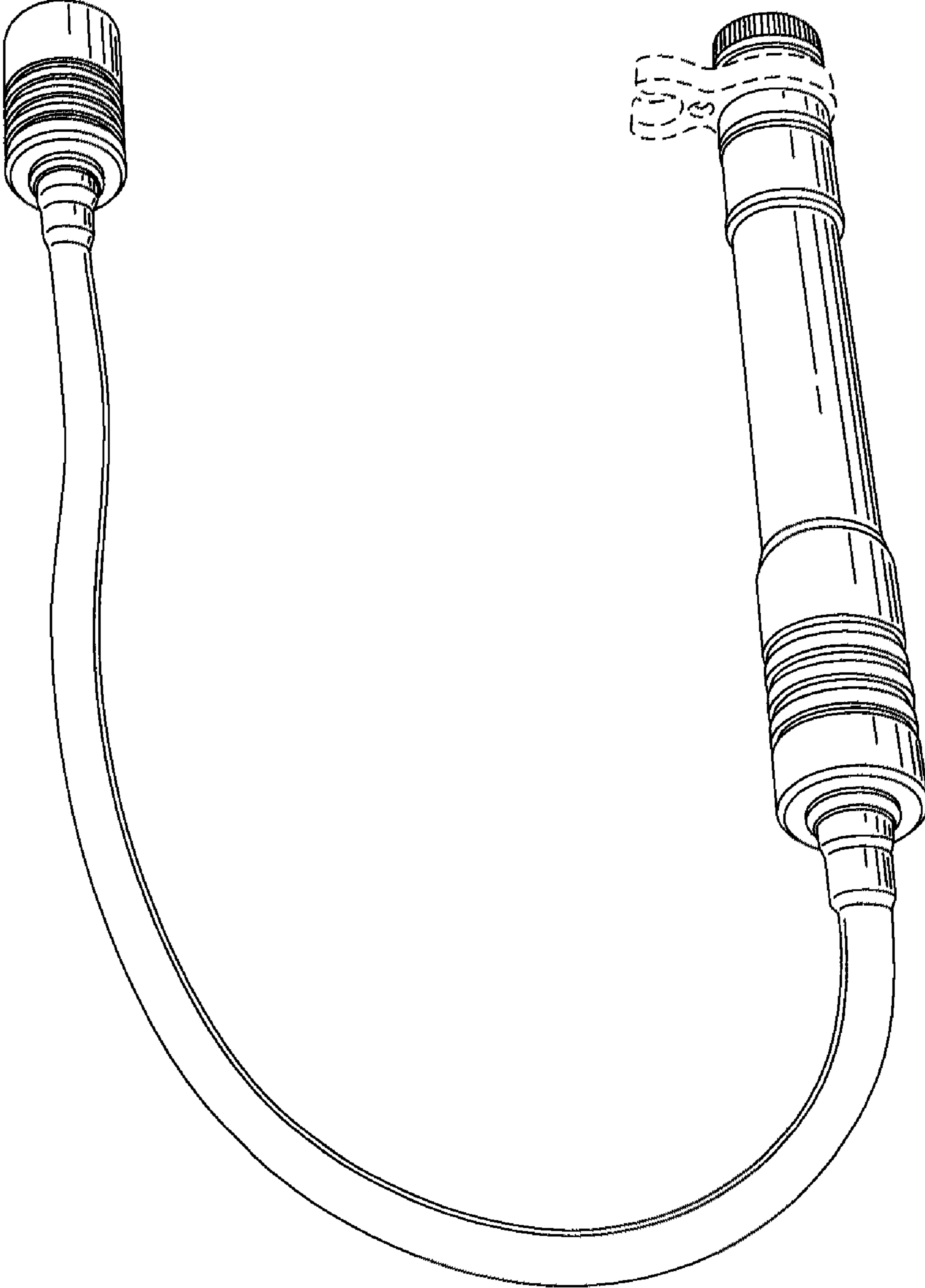


FIG. 1

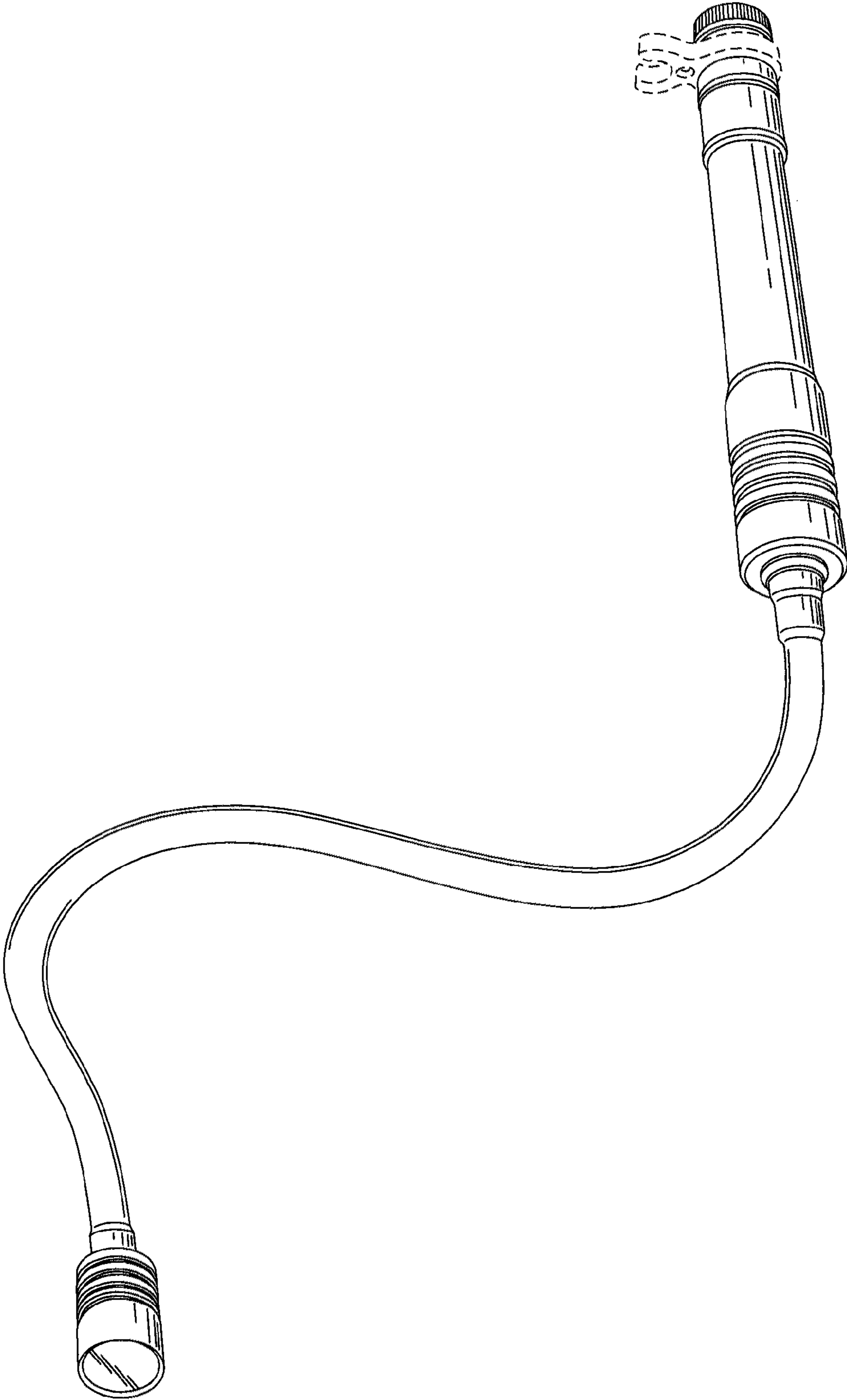


FIG. 2

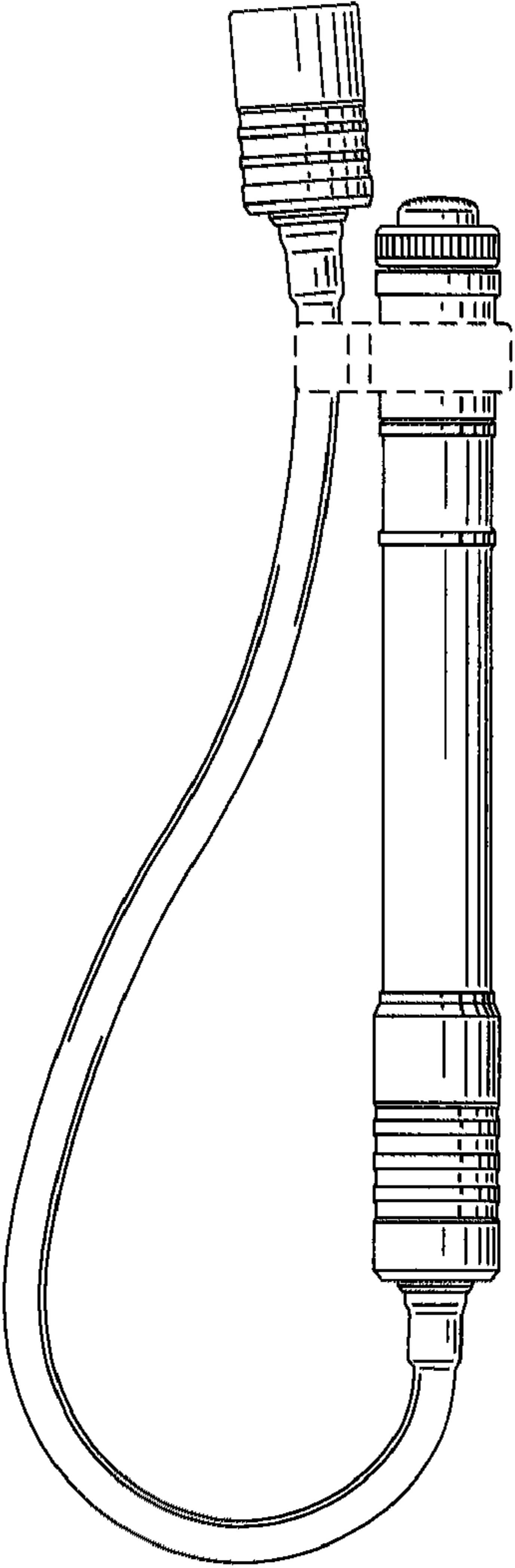


FIG. 3

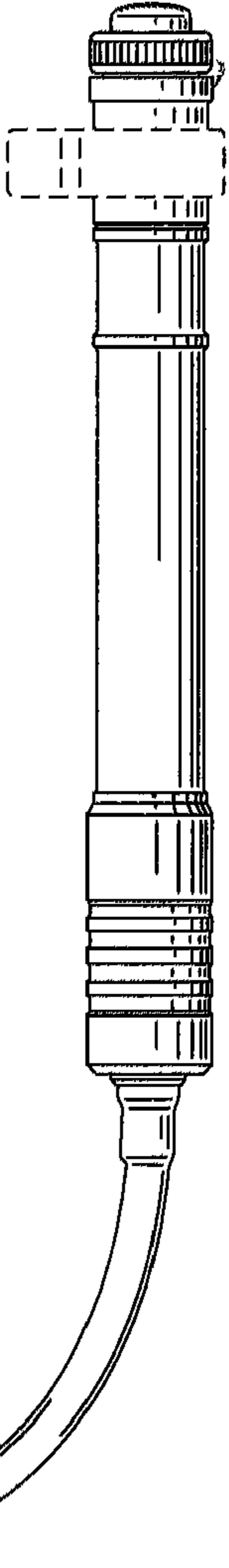


FIG. 4

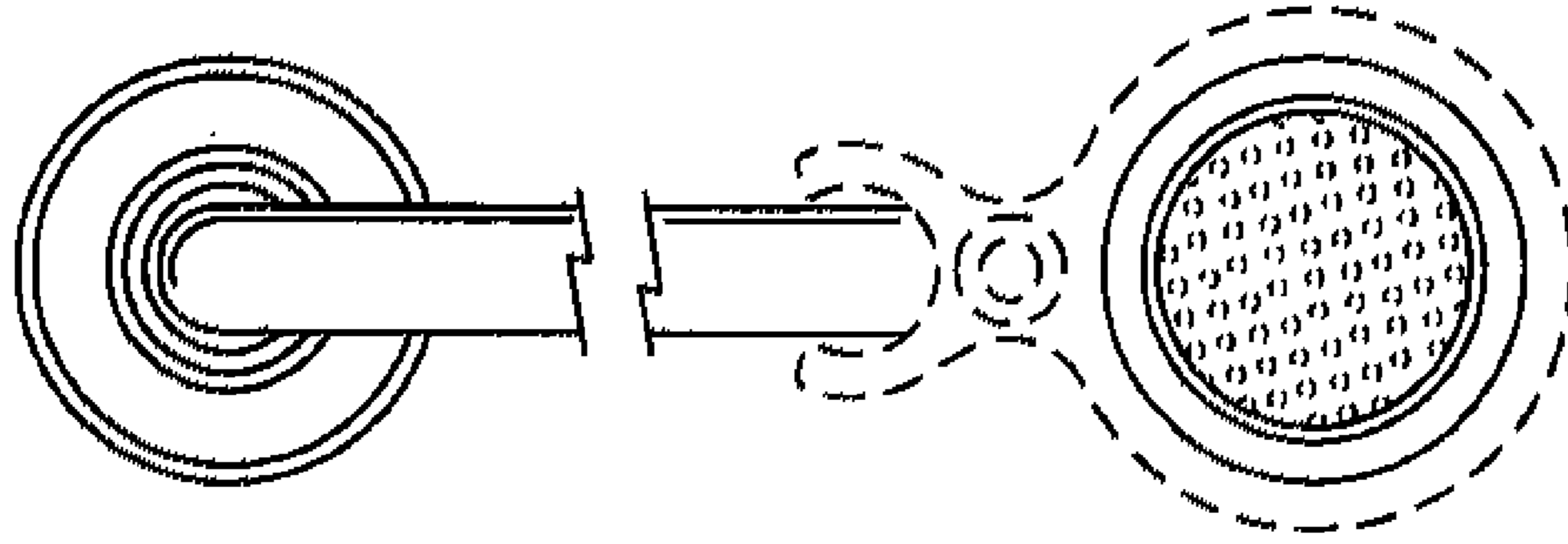


FIG. 6

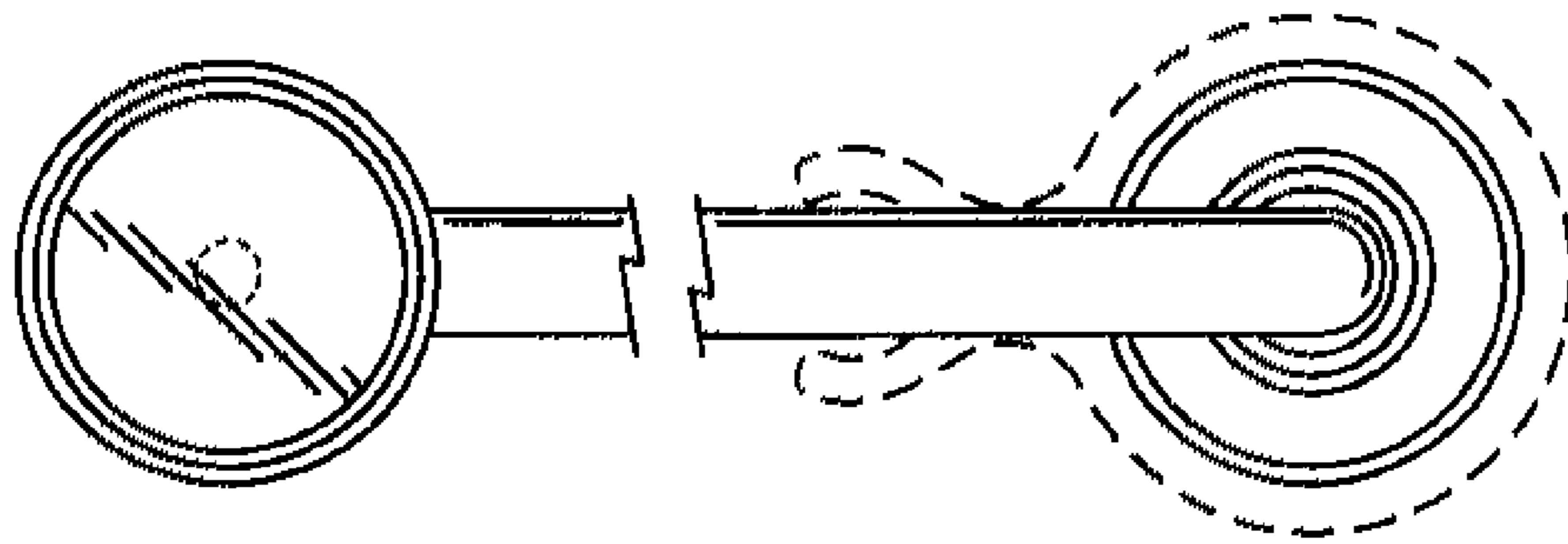


FIG. 5

