



US00D673708S

(12) **United States Design Patent**
Yeh

(10) **Patent No.:** **US D673,708 S**

(45) **Date of Patent:** **** Jan. 1, 2013**

(54) **FLASHLIGHT**

(75) **Inventor:** **Hsueh-Chu Yeh**, Tainan (TW)

(73) **Assignee:** **Day Sun Industrial Corp.**, Tainan (TW)

(**) **Term:** **14 Years**

(21) **Appl. No.:** **29/405,877**

(22) **Filed:** **Nov. 8, 2011**

(51) **LOC (9) Cl.** **26-02**

(52) **U.S. Cl.** **D26/46**

(58) **Field of Classification Search** D26/37,
D26/38, 49, 46; 362/157, 158, 184, 194-196,
362/202-208

See application file for complete search history.

(56) **References Cited**

U.S. PATENT DOCUMENTS

D448,878 S	*	10/2001	Dalton et al.	D26/49
D449,395 S	*	10/2001	Dalton et al.	D26/49
D450,404 S	*	11/2001	Kit	D26/49
D494,298 S	*	8/2004	Brent	D26/49
D494,300 S	*	8/2004	Wright et al.	D26/49
D498,014 S	*	11/2004	Cormier et al.	D26/37
D506,848 S	*	6/2005	Kung	D26/49
D525,380 S	*	7/2006	Gillis	D26/49

D531,337 S	*	10/2006	Dalton et al.	D26/49
D621,080 S	*	8/2010	Chen	D26/49
D638,157 S	*	5/2011	Lee	D26/49
D641,511 S	*	7/2011	Wang	D26/46

* cited by examiner

Primary Examiner — Ian Simmons

Assistant Examiner — Carissa C Fitts

(74) *Attorney, Agent, or Firm* — Alan Kamrath; Kamrath IP Lawfirm, PA

(57) **CLAIM**

The ornamental design for a flashlight, as shown and described.

DESCRIPTION

FIG. 1 is a perspective view of a flashlight showing my new design;

FIG. 2 is a front side elevational view thereof;

FIG. 3 is a rear side elevational view thereof;

FIG. 4 is a left side elevational view thereof;

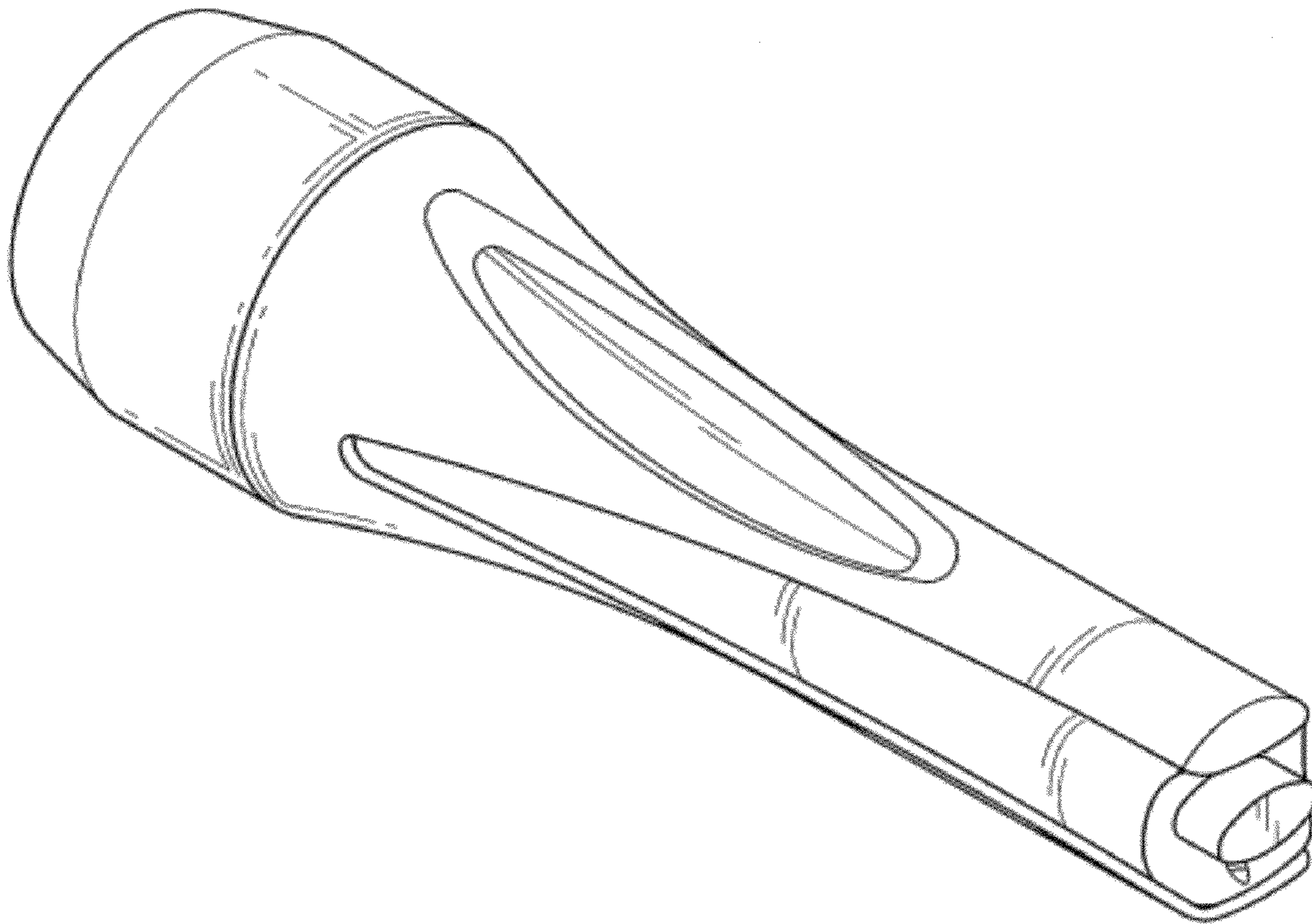
FIG. 5 is a right side elevational view thereof;

FIG. 6 is a top plan view thereof; and,

FIG. 7 is a bottom plan view thereof.

The broken line showing is for environmental purposes only and forms no part of the claimed design.

1 Claim, 3 Drawing Sheets



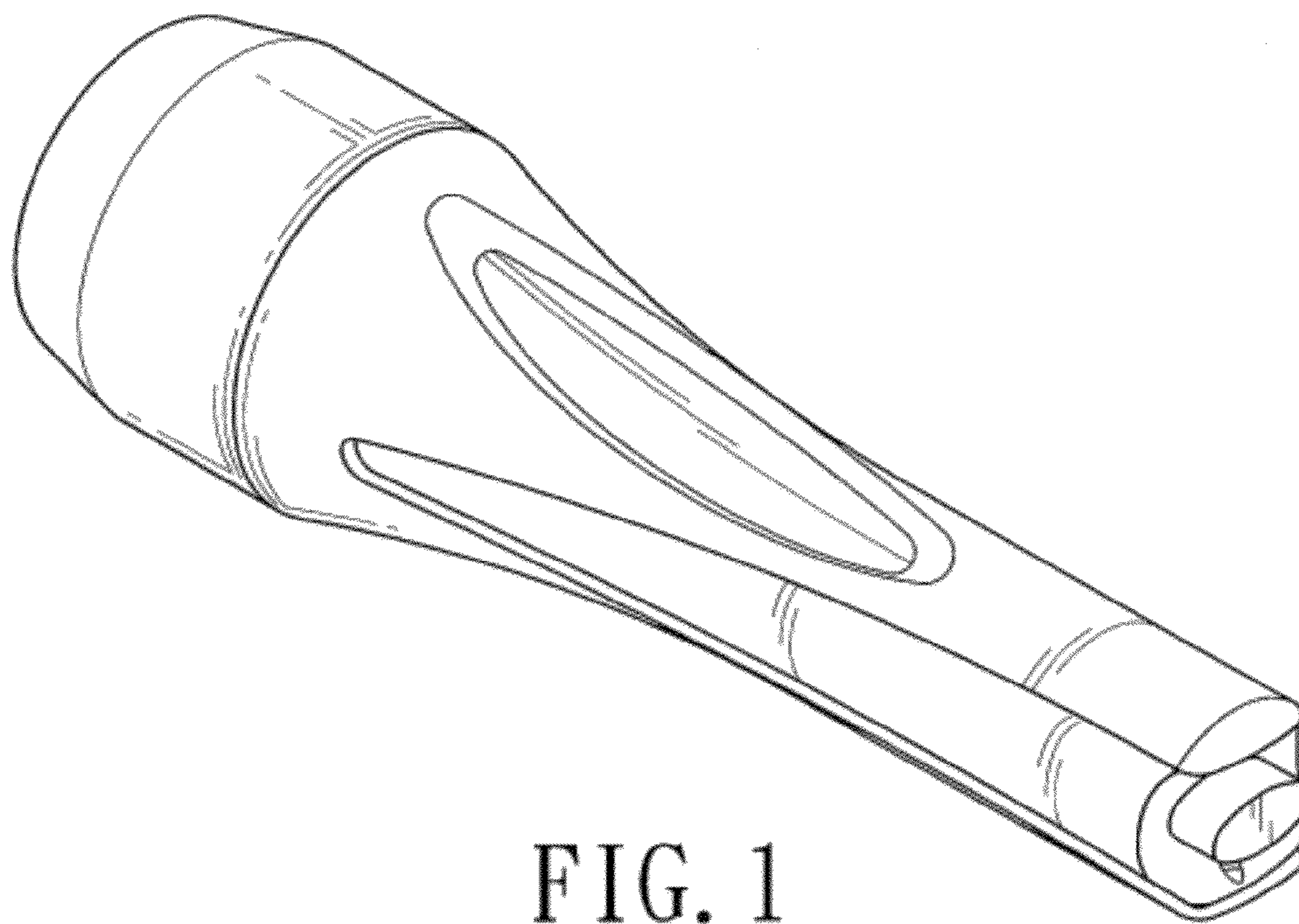


FIG. 1

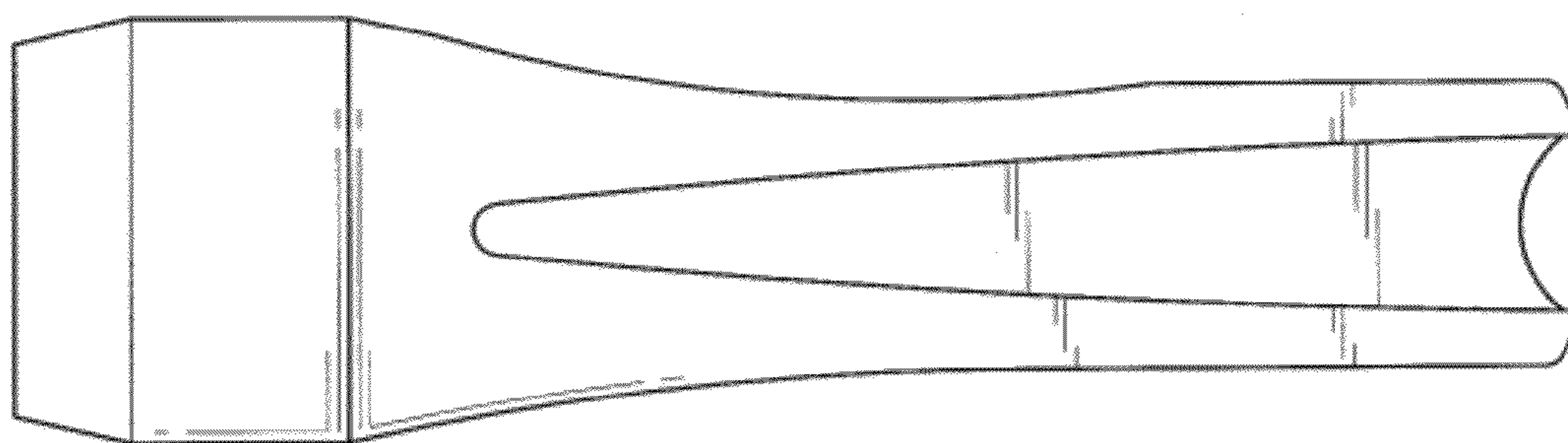


FIG. 2

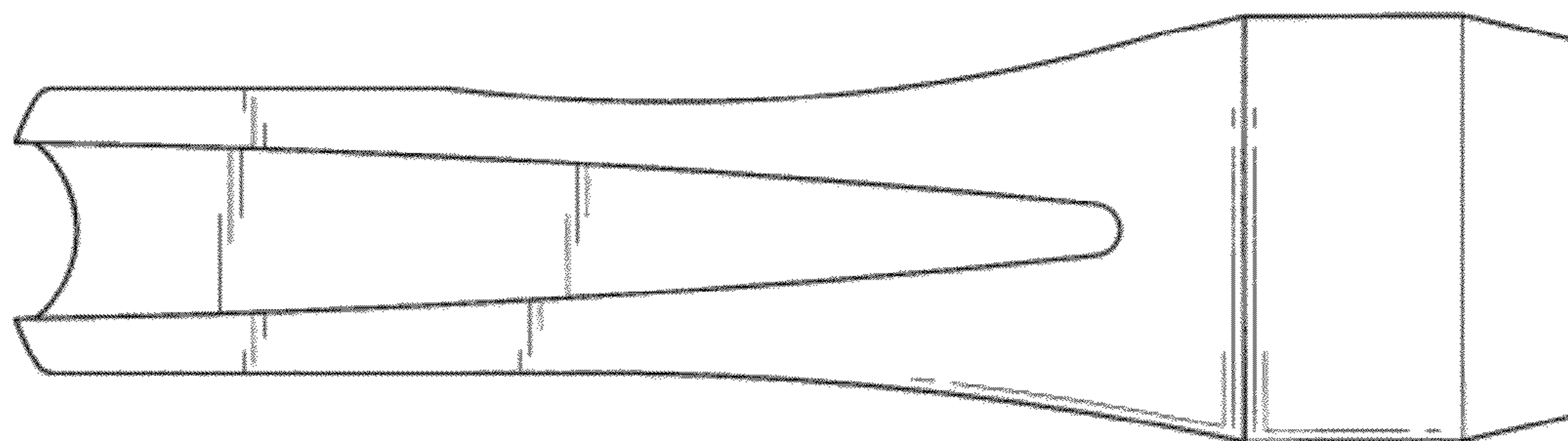


FIG. 3

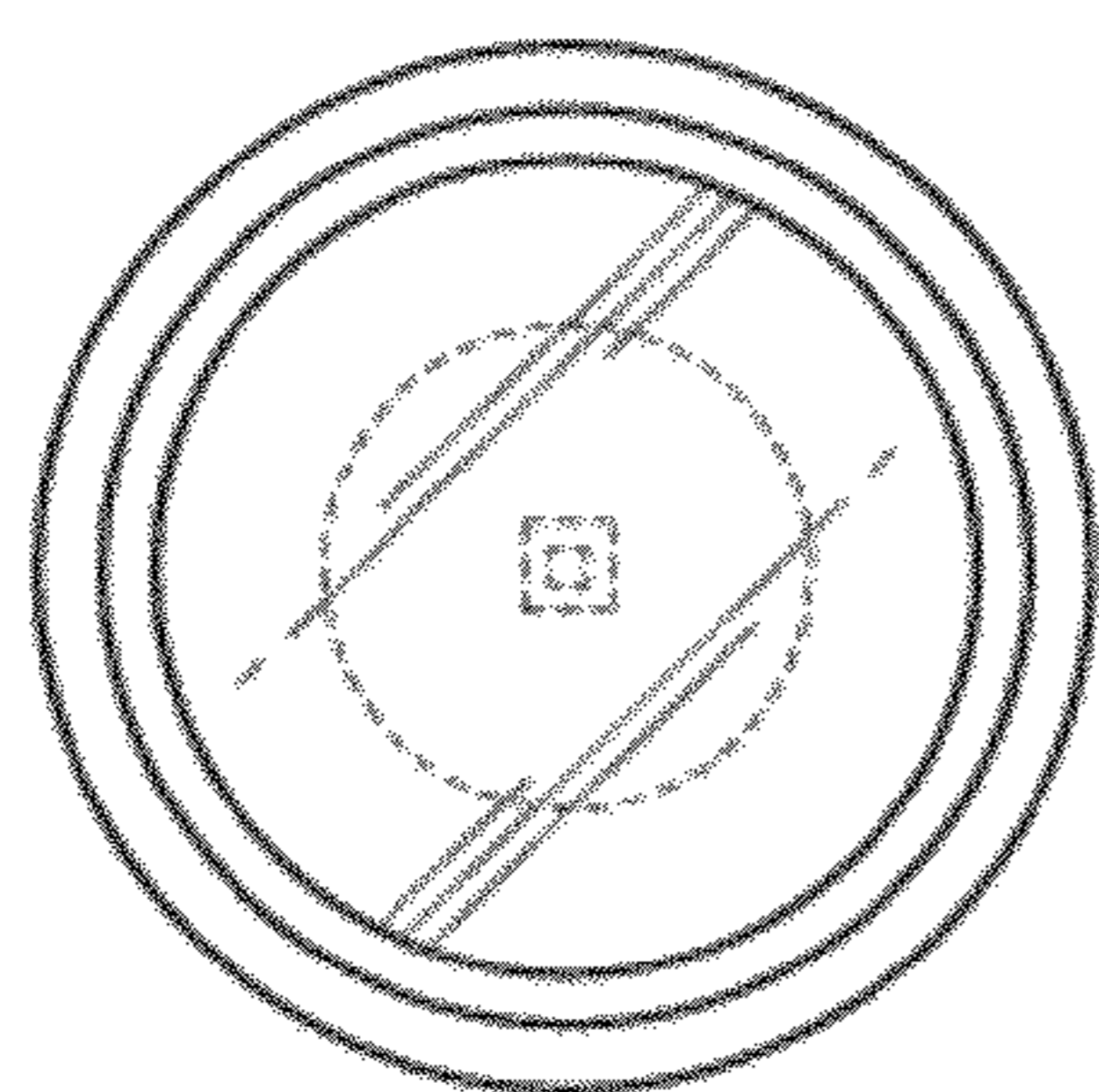


FIG. 4

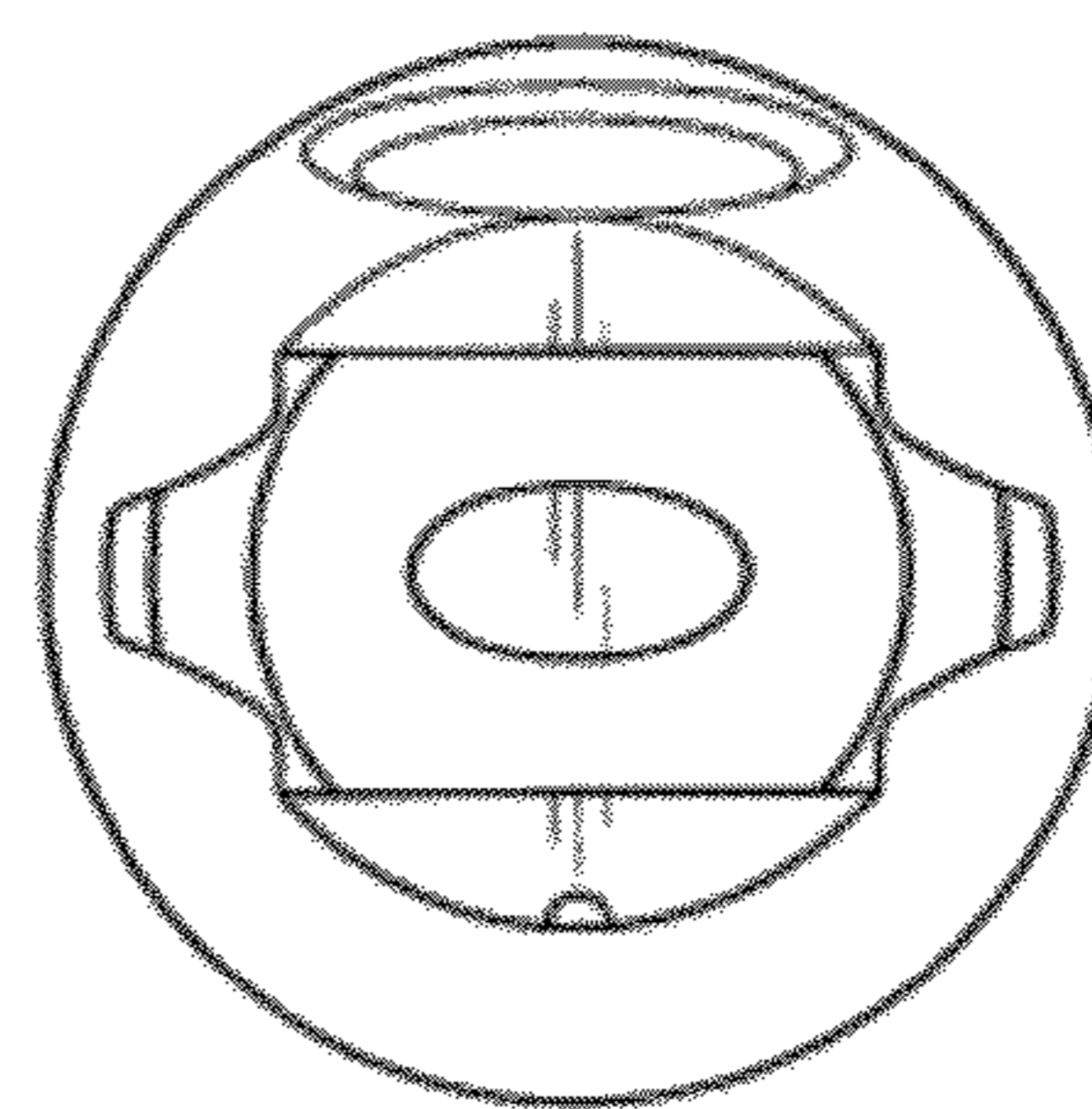


FIG. 5

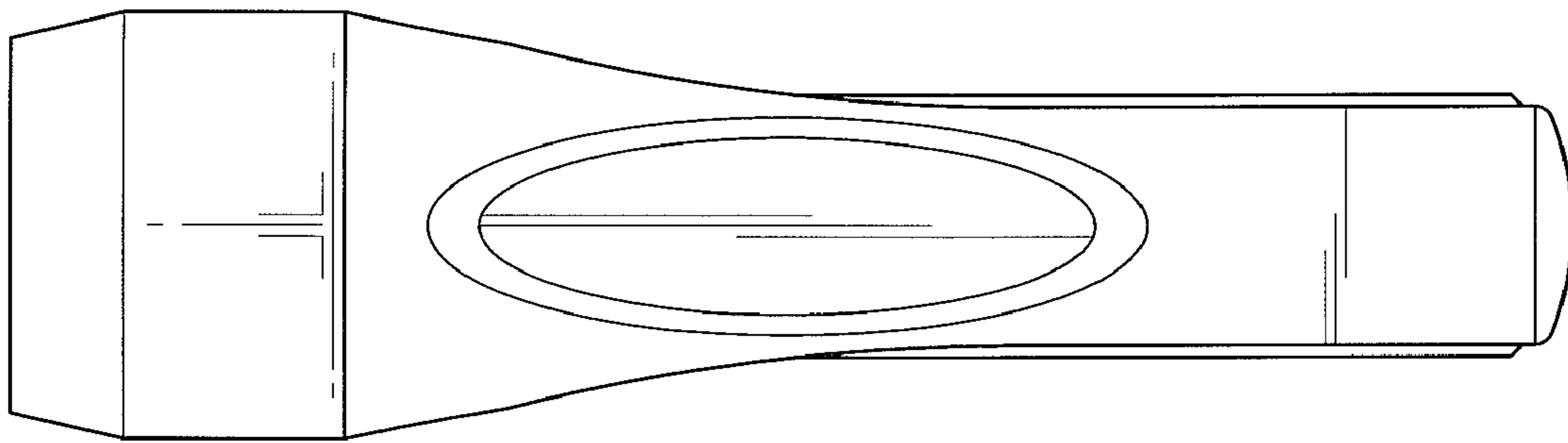


FIG. 6

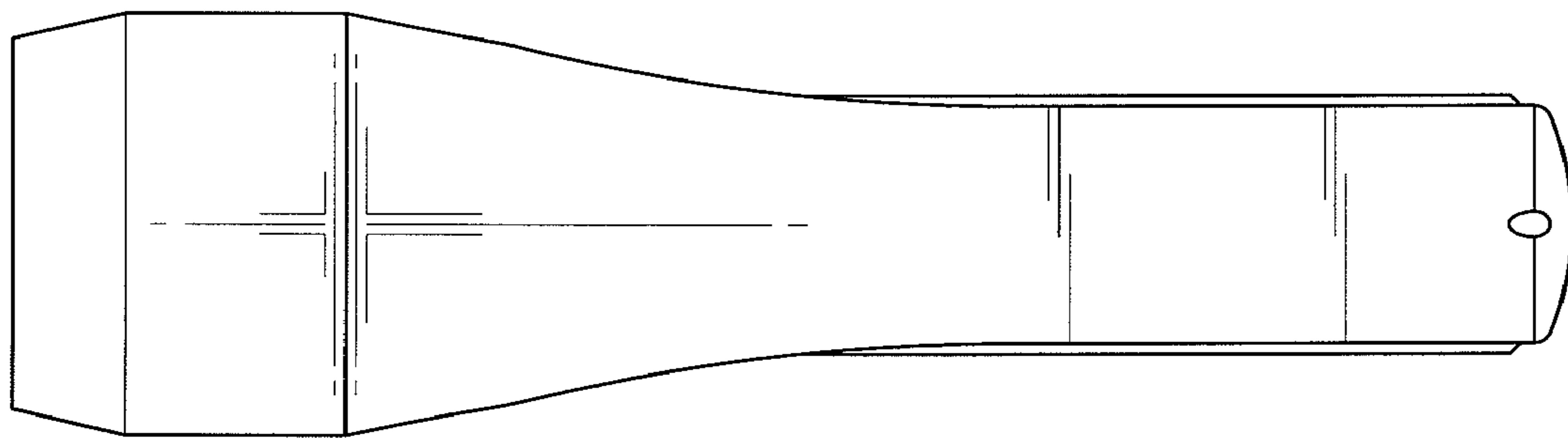


FIG. 7