



US00D673701S

(12) **United States Design Patent**
Davies

(10) **Patent No.:** **US D673,701 S**
(45) **Date of Patent:** **** Jan. 1, 2013**

(54) **ILLUMINATOR**

(75) Inventor: **Paul Davies**, Knoxfield (AU)

(73) Assignee: **Shin Chin Industrial Co., Ltd.**, Tainan (TW)

(**) Term: **14 Years**

(21) Appl. No.: **29/407,254**

(22) Filed: **Nov. 25, 2011**

(51) **LOC (9) Cl.** **26-02**

(52) **U.S. Cl.** **D26/28; D26/89**

(58) **Field of Classification Search** D26/28,
D26/80, 89; 362/147, 488, 489, 490, 491,
362/492, 493

See application file for complete search history.

(56) **References Cited**

U.S. PATENT DOCUMENTS

6,056,423	A *	5/2000	Takano et al.	362/488
6,601,976	B1 *	8/2003	Rhee	362/374
6,616,311	B2 *	9/2003	Soga et al.	362/488
D489,466	S *	5/2004	Dohogne et al.	D26/28
D492,047	S *	6/2004	Dohogne et al.	D26/28
D564,694	S *	3/2008	Southern, Jr.	D26/85

D567,989	S *	4/2008	Goetz-Schaefer	D26/89
7,425,087	B2 *	9/2008	Sawayanagi et al.	362/490
7,547,119	B2 *	6/2009	Kuwana et al.	362/294
D641,097	S *	7/2011	Kocks	D26/89
D655,854	S *	3/2012	Kim et al.	D26/89
2006/0050018	A1 *	3/2006	Hutzel et al.	345/60

* cited by examiner

Primary Examiner — Clare E Heflin

(74) *Attorney, Agent, or Firm* — Rosenberg, Klein & Lee

(57) **CLAIM**

The ornamental design for an illuminator, as shown and described.

DESCRIPTION

FIG. 1 is a perspective view of an illuminator showing my new design;

FIG. 2 is a front elevational view thereof;

FIG. 3 is a rear elevational view thereof;

FIG. 4 is a left side elevational view thereof;

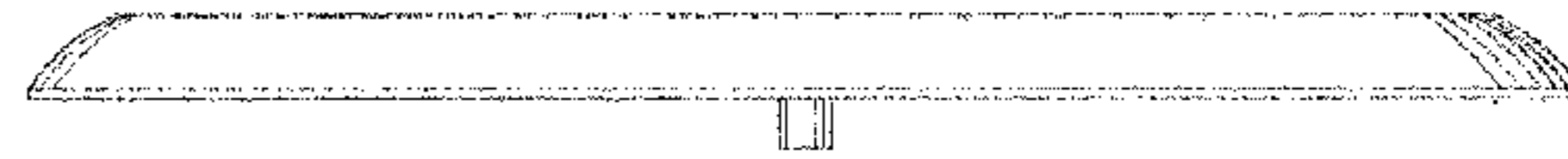
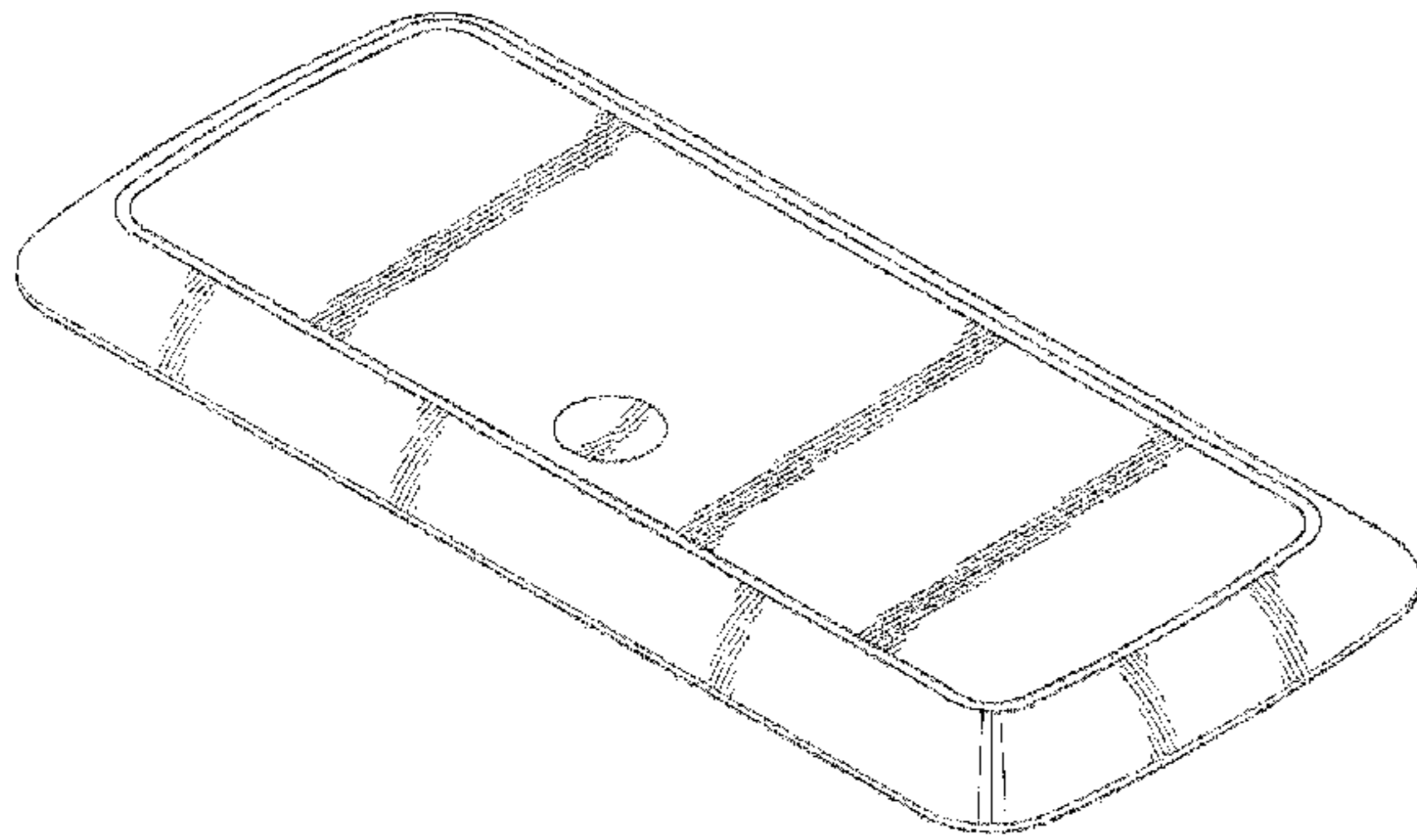
FIG. 5 is a right side elevational view thereof;

FIG. 6 is a top plan view thereof; and,

FIG. 7 is a bottom plan view thereof.

The broken lines shown on the drawings depict portions of the illuminator that form no part of the claimed design.

1 Claim, 7 Drawing Sheets



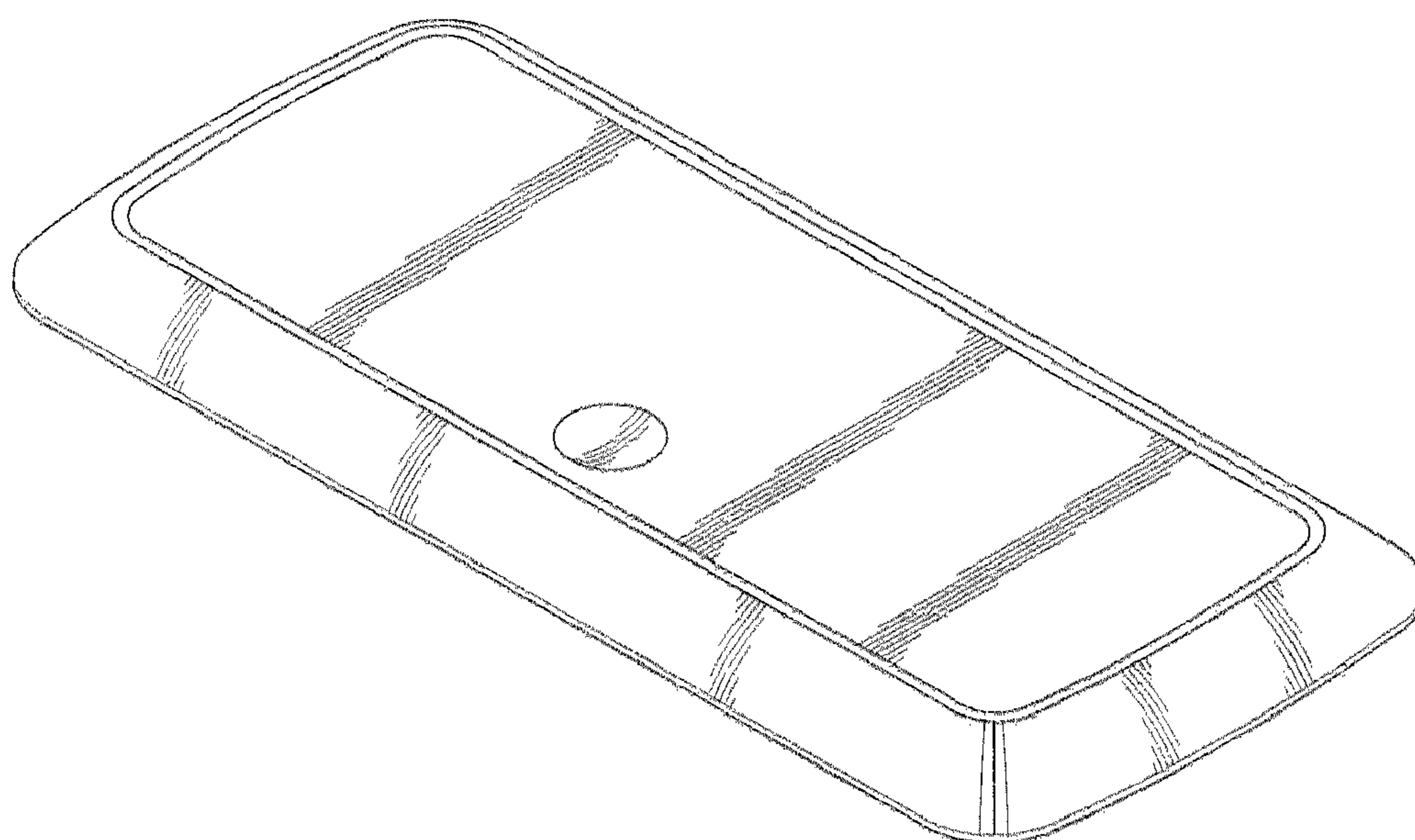


FIG. 1

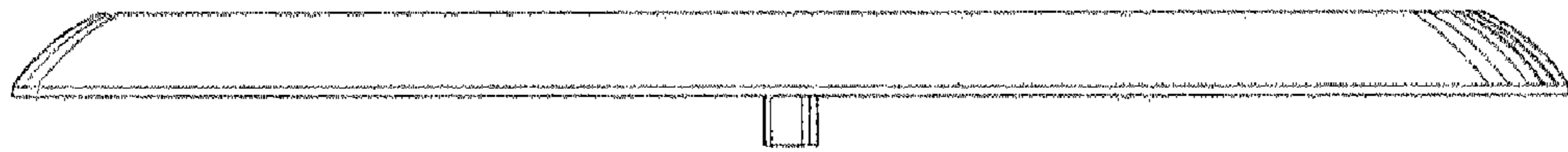


FIG. 2

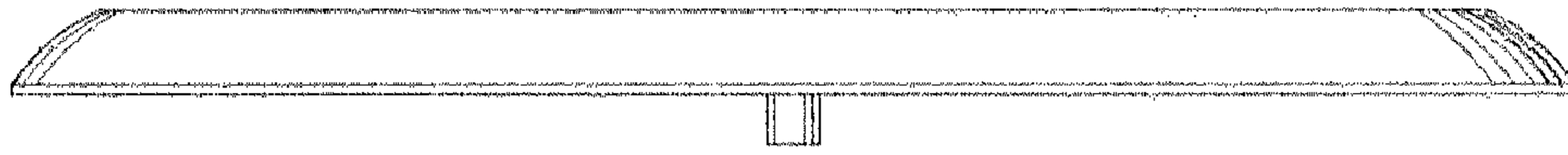


FIG. 3

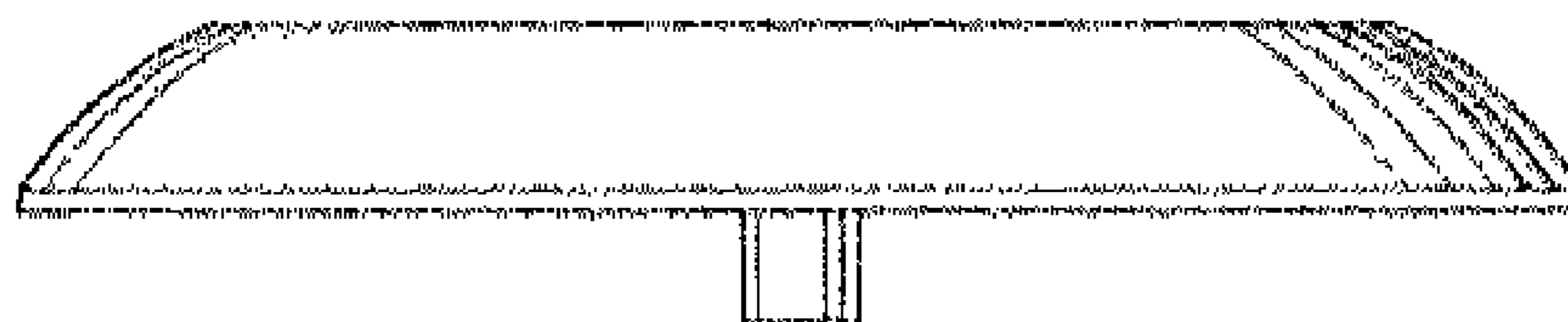


FIG. 4

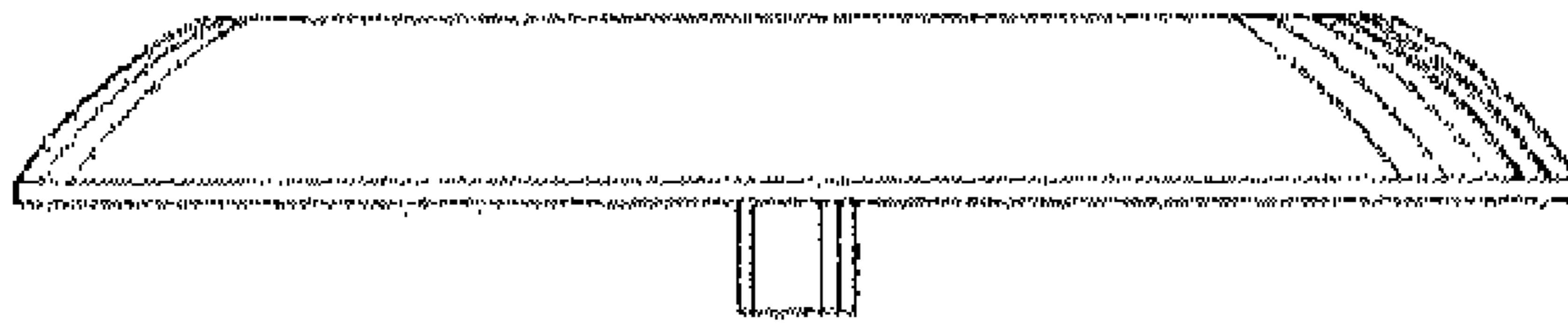


FIG. 5

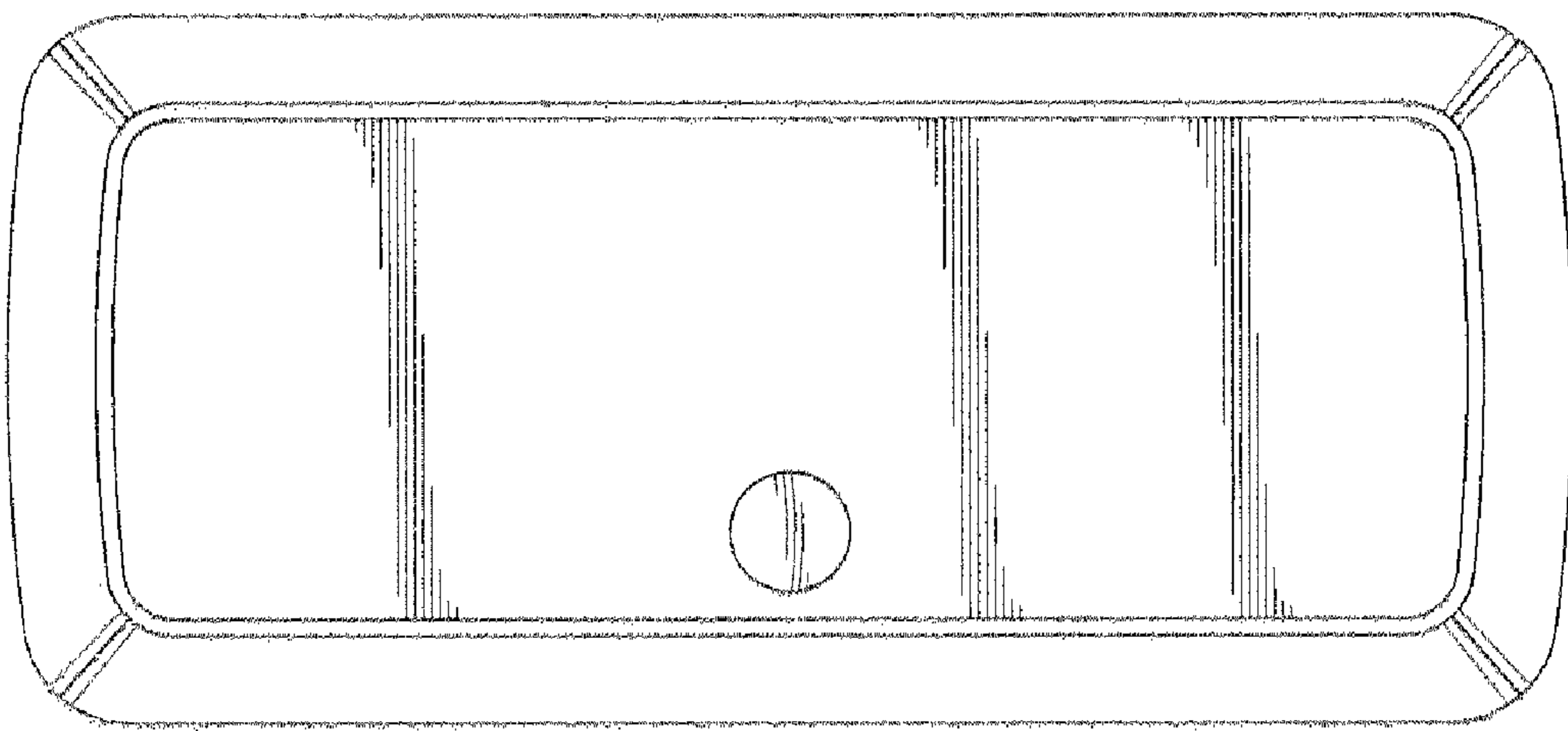


FIG. 6

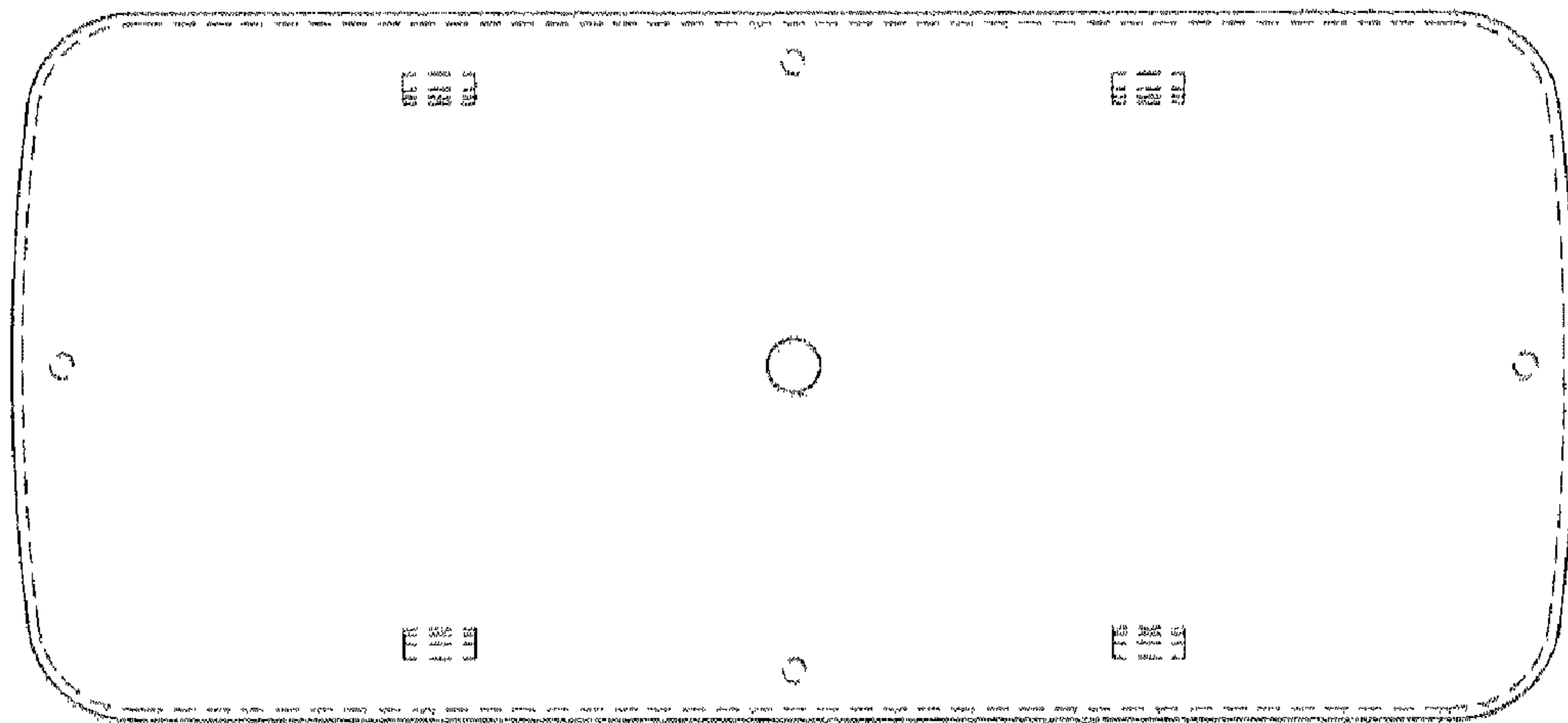


FIG. 7