

US00D673698S

(12) **United States Design Patent**  
**Taylor et al.**

(10) **Patent No.:** **US D673,698 S**  
(45) **Date of Patent:** **\*\* Jan. 1, 2013**

- (54) **LIGHTING FIXTURE**
- (75) Inventors: **Timothy Taylor**, Barrington, IL (US);  
**Tony Chang**, Treasure Island, FL (US)
- (73) Assignee: **Tadd, LLC**, North Barrington, IL (US)
- (\*\*) Term: **14 Years**
- (21) Appl. No.: **29/415,685**
- (22) Filed: **Mar. 13, 2012**
- (51) **LOC (9) Cl.** ..... **26-04**
- (52) **U.S. Cl.** ..... **D26/2**
- (58) **Field of Classification Search** ..... D26/1-4;  
313/313, 315, 316, 317, 318, 493; 315/52,  
315/53, 56, 57, 58  
See application file for complete search history.

7,581,856 B2	9/2009	Kang et al.	
D602,182 S *	10/2009	Foo .....	D26/2
D621,974 S	8/2010	Grajcar	
7,862,204 B2	1/2011	Lodhie	
7,878,697 B2	2/2011	Chiang	
7,959,330 B2	6/2011	Hashimoto et al.	
7,990,031 B2	8/2011	Lu	
7,997,750 B2	8/2011	Chiang	
2009/0059559 A1	3/2009	Pabst et al.	

**FOREIGN PATENT DOCUMENTS**

EP	2287527 A1	2/2011
WO	17569 A1	3/2000
WO	96498 A1	8/2010

**OTHER PUBLICATIONS**

High Power E27 60 LED Bulb light lamp 220V 3W, <http://www.lovesaction.com>, 2011.

\* cited by examiner

*Primary Examiner* — Marcus Jackson  
(74) *Attorney, Agent, or Firm* — Clark Hill PLC

(56) **References Cited**

**U.S. PATENT DOCUMENTS**

6,499,860 B2	12/2002	Begemann	
6,634,770 B2	10/2003	Cao	
6,634,771 B2	10/2003	Cao	
6,719,446 B2	4/2004	Cao	
D513,640 S	1/2006	Chen	
D514,715 S	2/2006	Chen	
7,086,756 B2	8/2006	Maxik	
D545,457 S *	6/2007	Chen .....	D26/2
D566,300 S *	4/2008	Lo .....	D26/2
D571,489 S *	6/2008	Opolka .....	D26/2
D574,092 S	7/2008	Sun	
D582,578 S *	12/2008	Tsai et al. ....	D26/2
D584,428 S *	1/2009	Li et al. ....	D26/2
7,524,089 B2	4/2009	Park	
D593,222 S *	5/2009	To et al. ....	D26/2

(57) **CLAIM**

The ornamental design for a lighting fixture, as shown and described.

**DESCRIPTION**

FIG. 1 is a perspective view of the lighting fixture;  
FIG. 2 is a bottom view thereof;  
FIG. 3 is a top view thereof; and,  
FIG. 4 is a side view thereof.

**1 Claim, 4 Drawing Sheets**

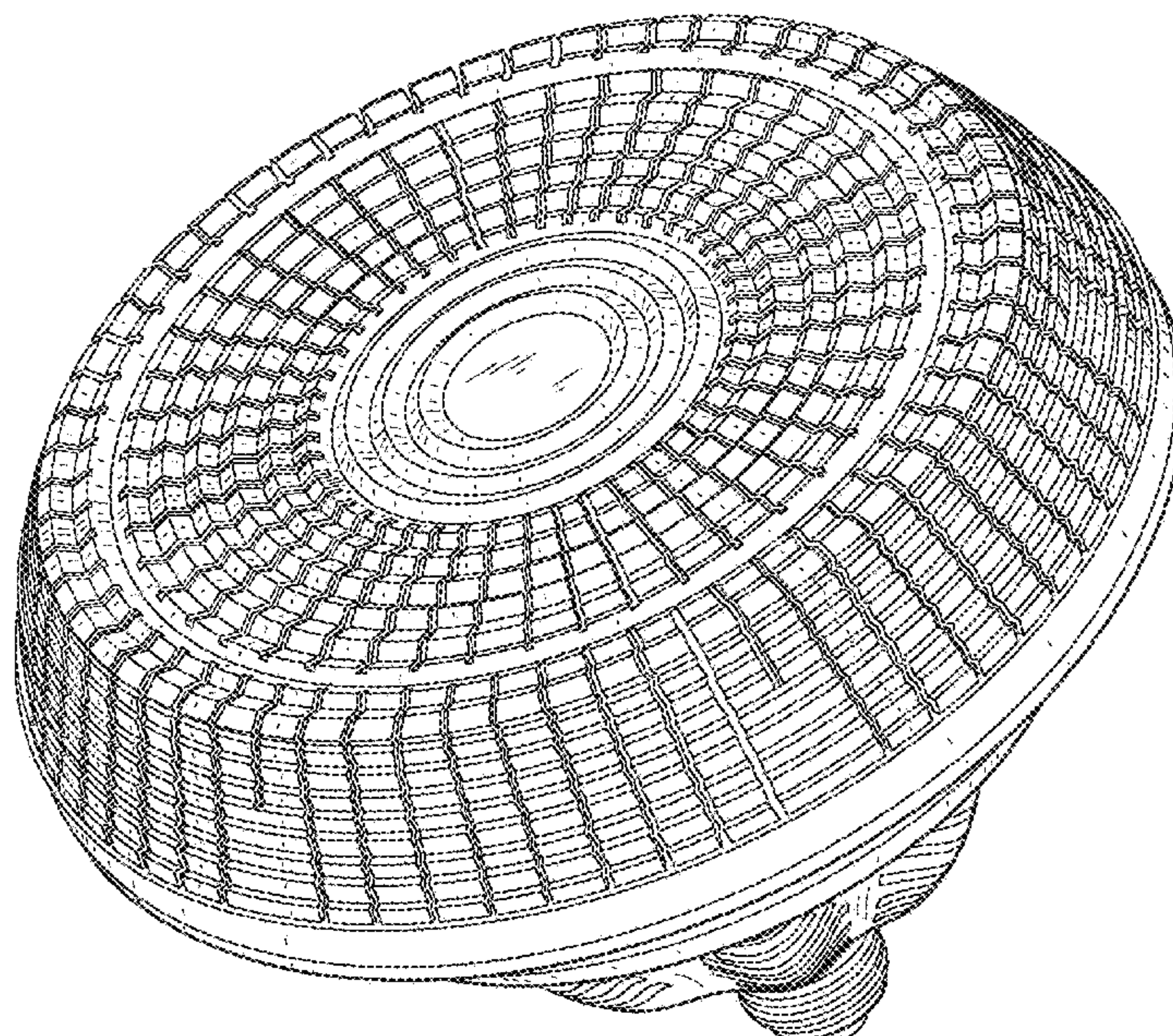




FIG. 1

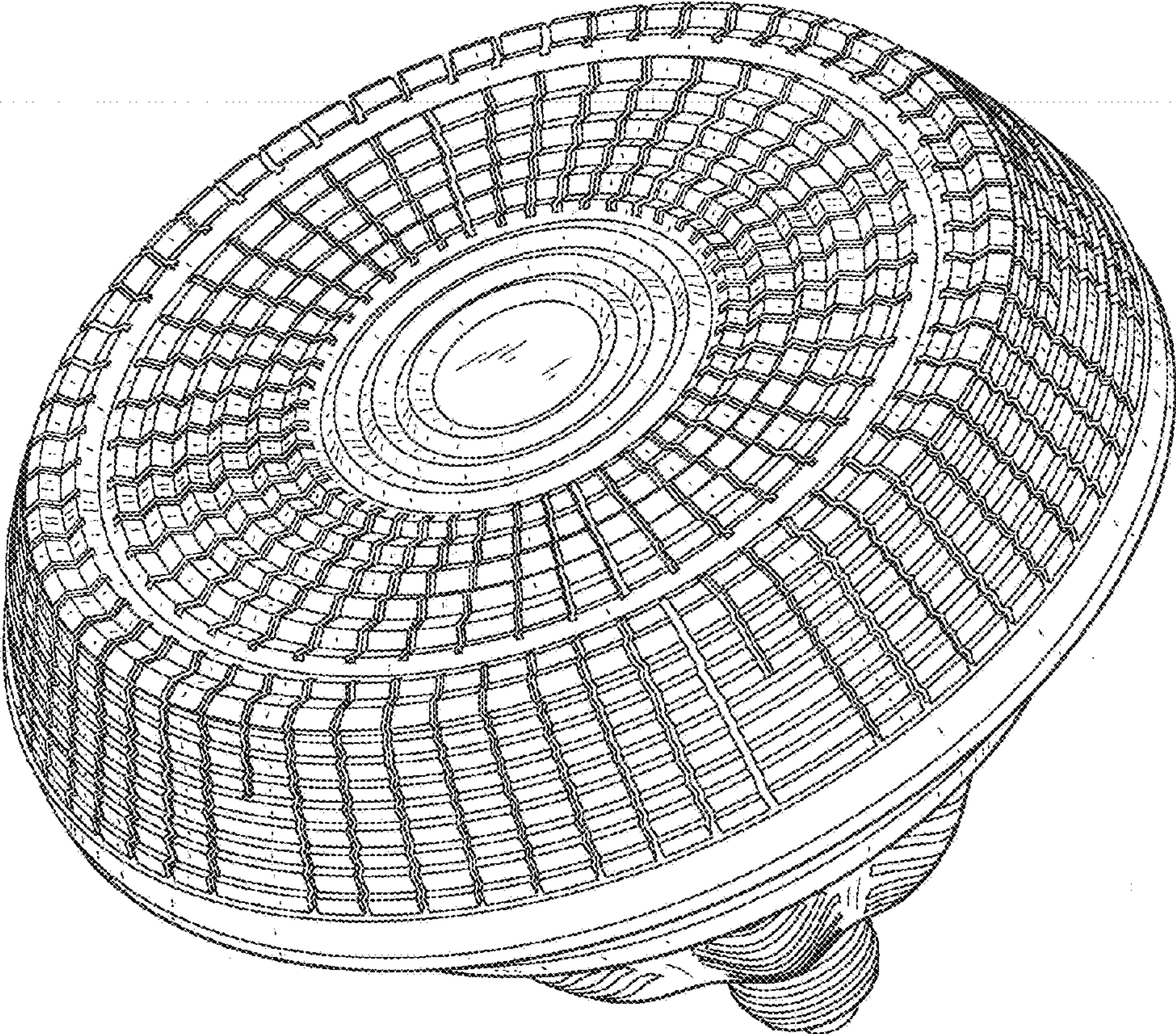


FIG. 2

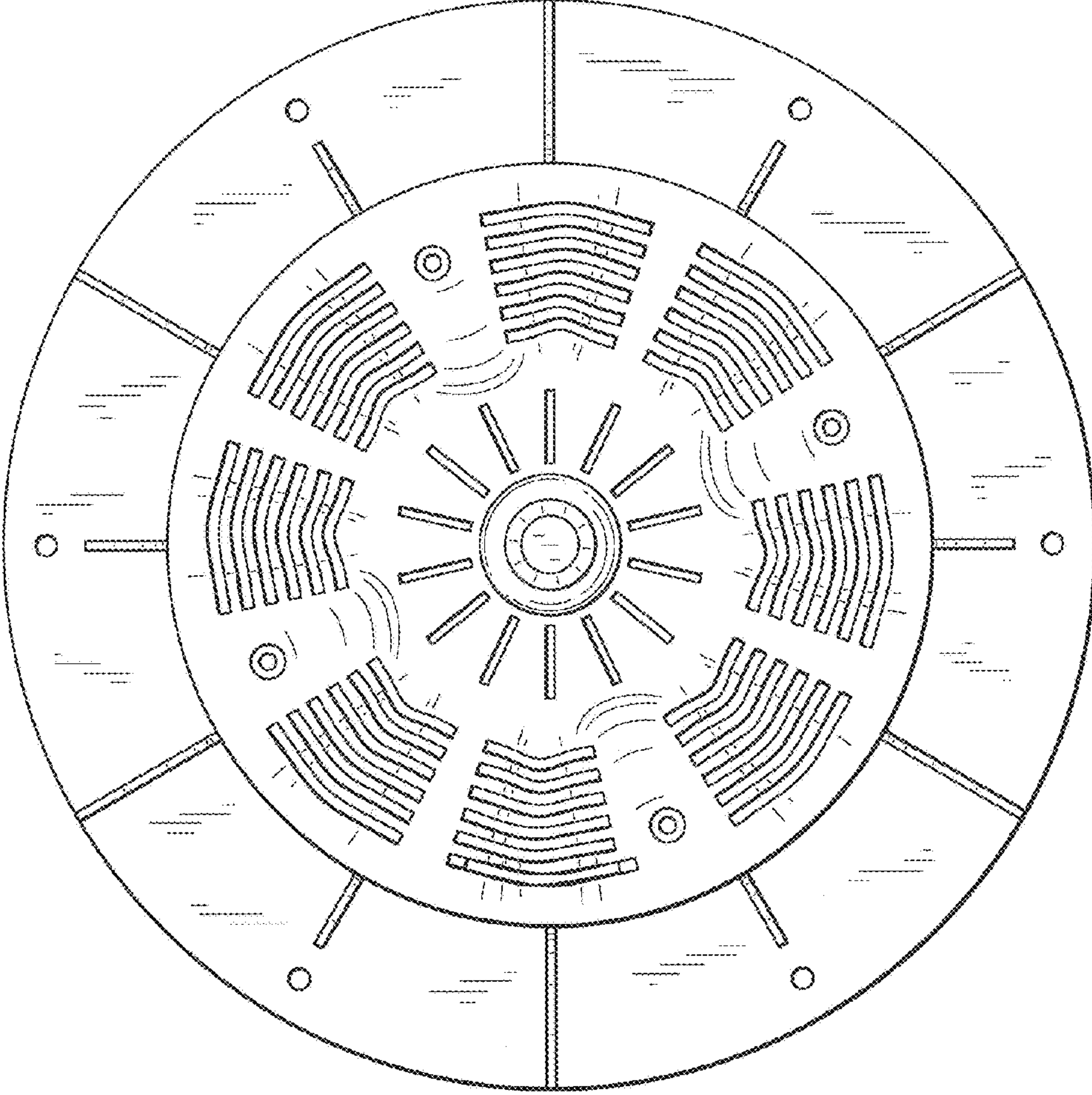




FIG. 3

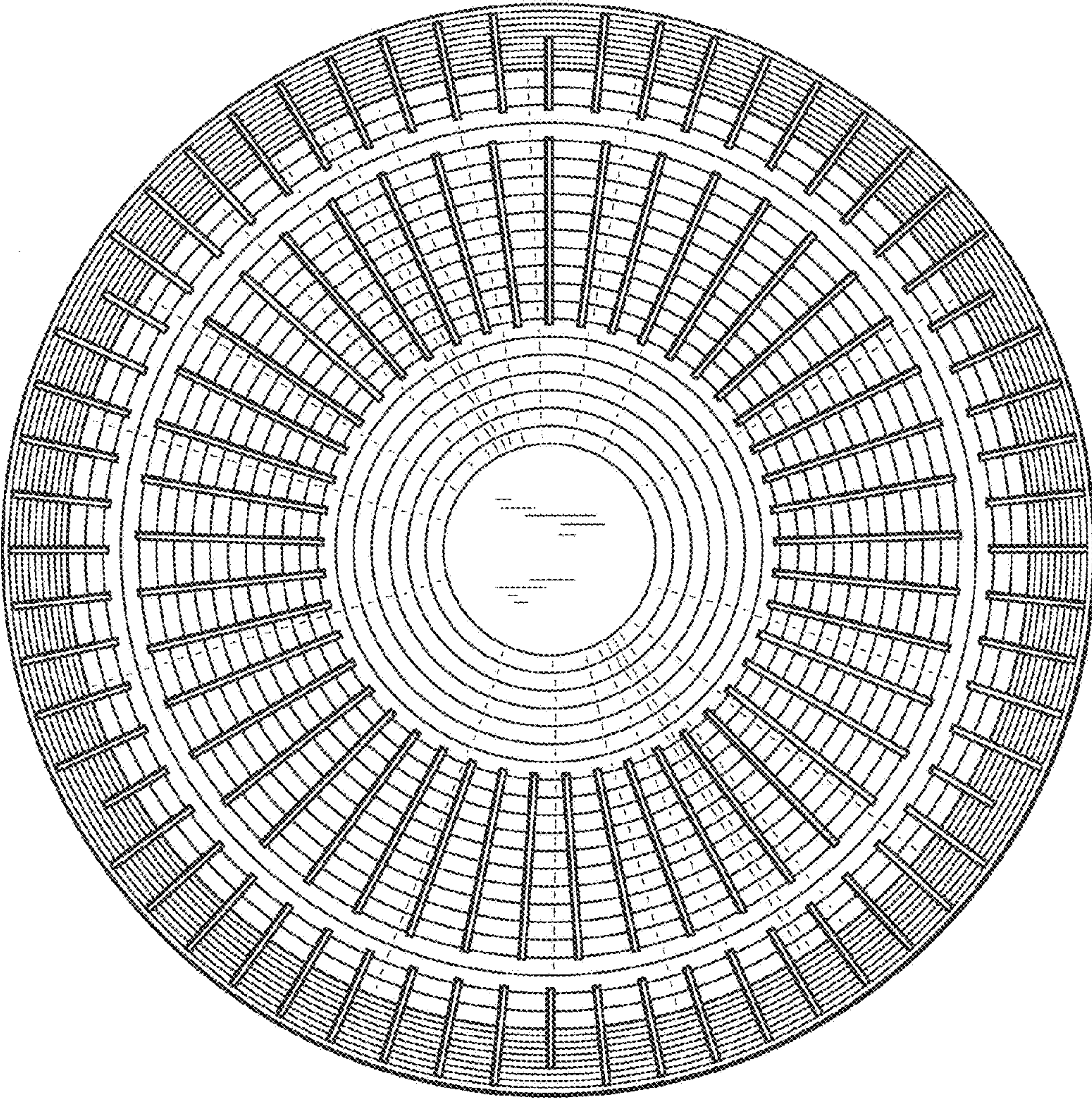




FIG. 4

