



US00D673696S

(12) **United States Design Patent**
Kay

(10) **Patent No.:** **US D673,696 S**

(45) **Date of Patent:** **** Jan. 1, 2013**

(54) **PRE-CAST, SLOPED CONCRETE ROOF PANEL**

(76) Inventor: **Clifton B. Kay**, Tyler, TX (US)

(**) Term: **14 Years**

(21) Appl. No.: **29/374,690**

(22) Filed: **Sep. 22, 2011**

(51) **LOC (9) Cl.** **25-01**

(52) **U.S. Cl.** **D25/141**

(58) **Field of Classification Search** D25/141;
52/90.1, 90.2, 91.1, 91.3

See application file for complete search history.

(56) **References Cited**

U.S. PATENT DOCUMENTS

1,367,289	A	2/1921	Waller	
1,484,206	A	2/1924	Birkholz	
1,634,283	A	7/1927	Birkholz	
2,039,183	A	4/1936	Nagel	
2,083,987	A	6/1937	Davis	
3,252,682	A	5/1966	Soukup	
3,800,485	A *	4/1974	Yates	52/91.1
4,047,357	A	9/1977	Mulholland	
4,211,043	A	7/1980	Coday	
D302,859	S *	8/1989	Kero	D25/141
4,901,491	A	2/1990	Phillips	
5,305,563	A	4/1994	Erel	
5,493,838	A	2/1996	Ross	
5,600,923	A *	2/1997	Riley	52/79.9
5,794,386	A	8/1998	Klein	
5,845,441	A	12/1998	Swartz	

6,119,417	A	9/2000	Valverde et al.	
6,260,320	B1	7/2001	Di Lorenzo	
6,365,824	B1 *	4/2002	Nakazima et al.	136/251
7,665,251	B1 *	2/2010	Lang et al.	52/91.3
2003/0033758	A1 *	2/2003	Sanger	52/90.1
2007/0157530	A1 *	7/2007	Uffner et al.	52/90.1
2008/0066395	A1	3/2008	Aranda et al.	
2008/0236058	A1 *	10/2008	Antonie	52/90.1
2010/0162651	A1	7/2010	Krell	

* cited by examiner

Primary Examiner — Doris Clark

(74) Attorney, Agent, or Firm — David M. O'Brian

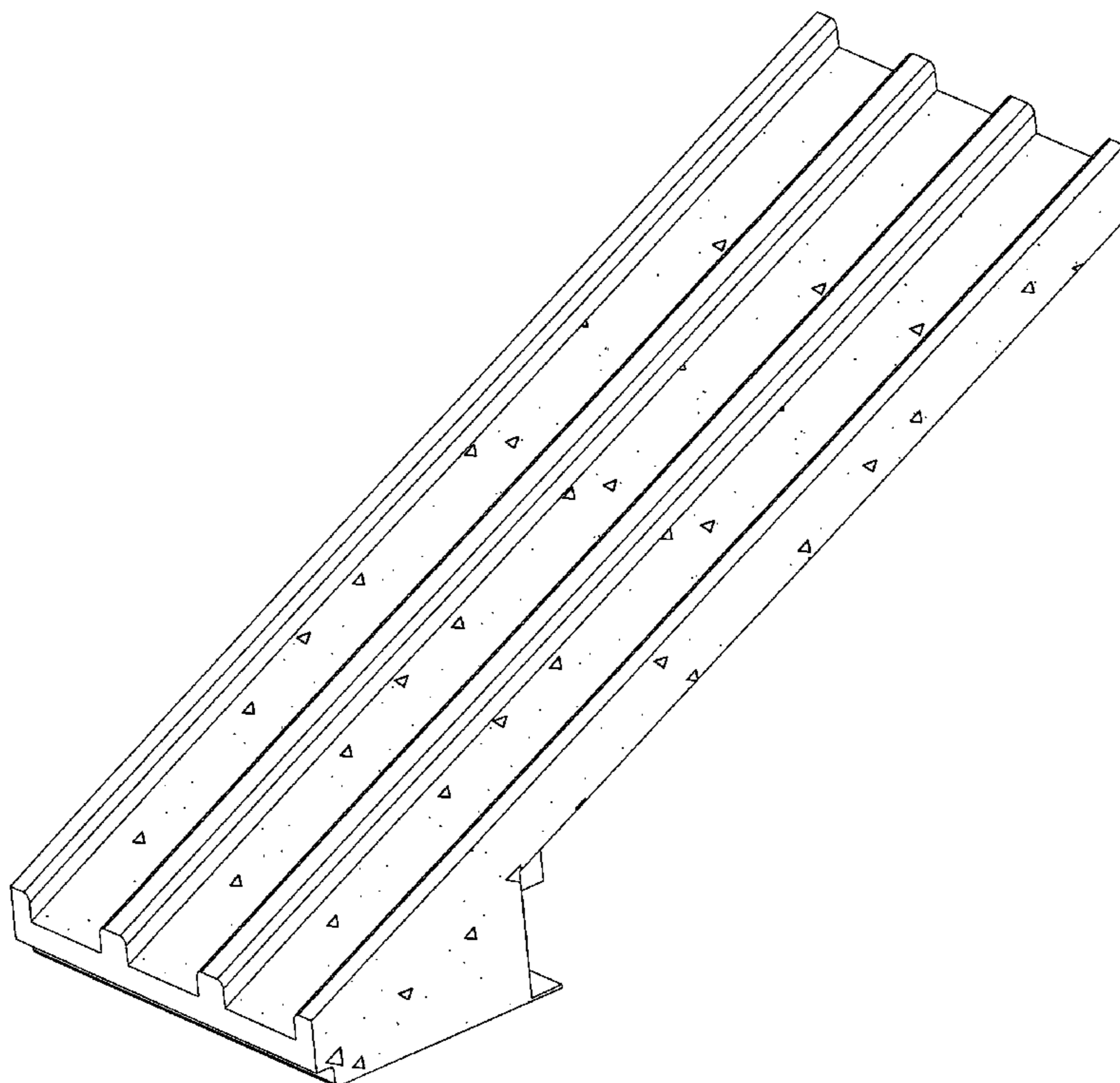
(57) **CLAIM**

The ornamental design for a pre-cast, sloped concrete roof panel, as shown and described.

DESCRIPTION

FIG. 1 is a perspective view of a pre-cast, sloped concrete roof panel according to my new design; and
 FIG. 2 is top plan view of the pre-cast, sloped concrete roof panel of FIG. 1;
 FIG. 3 is a front elevational view of the pre-cast, sloped concrete roof panel of FIG. 1;
 FIG. 4 is a side elevational view of the pre-cast, sloped concrete roof panel of FIG. 3;
 FIG. 5 is a rear elevational view of the pre-cast, sloped concrete roof panel of FIG. 3; and,
 FIG. 6 is a bottom plan view of the pre-cast, sloped concrete roof panel of FIG. 2.

1 Claim, 2 Drawing Sheets



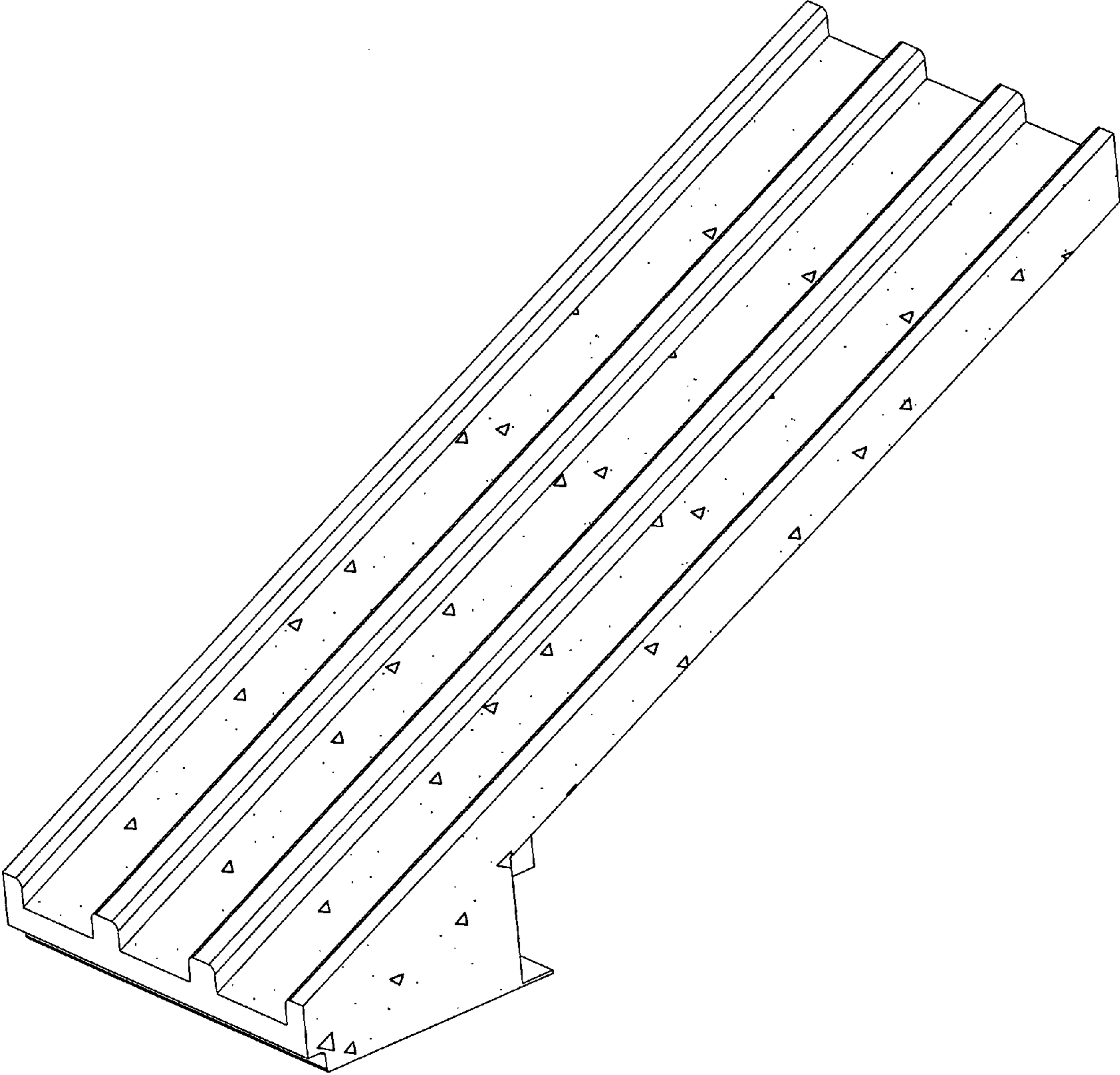


FIG. 1

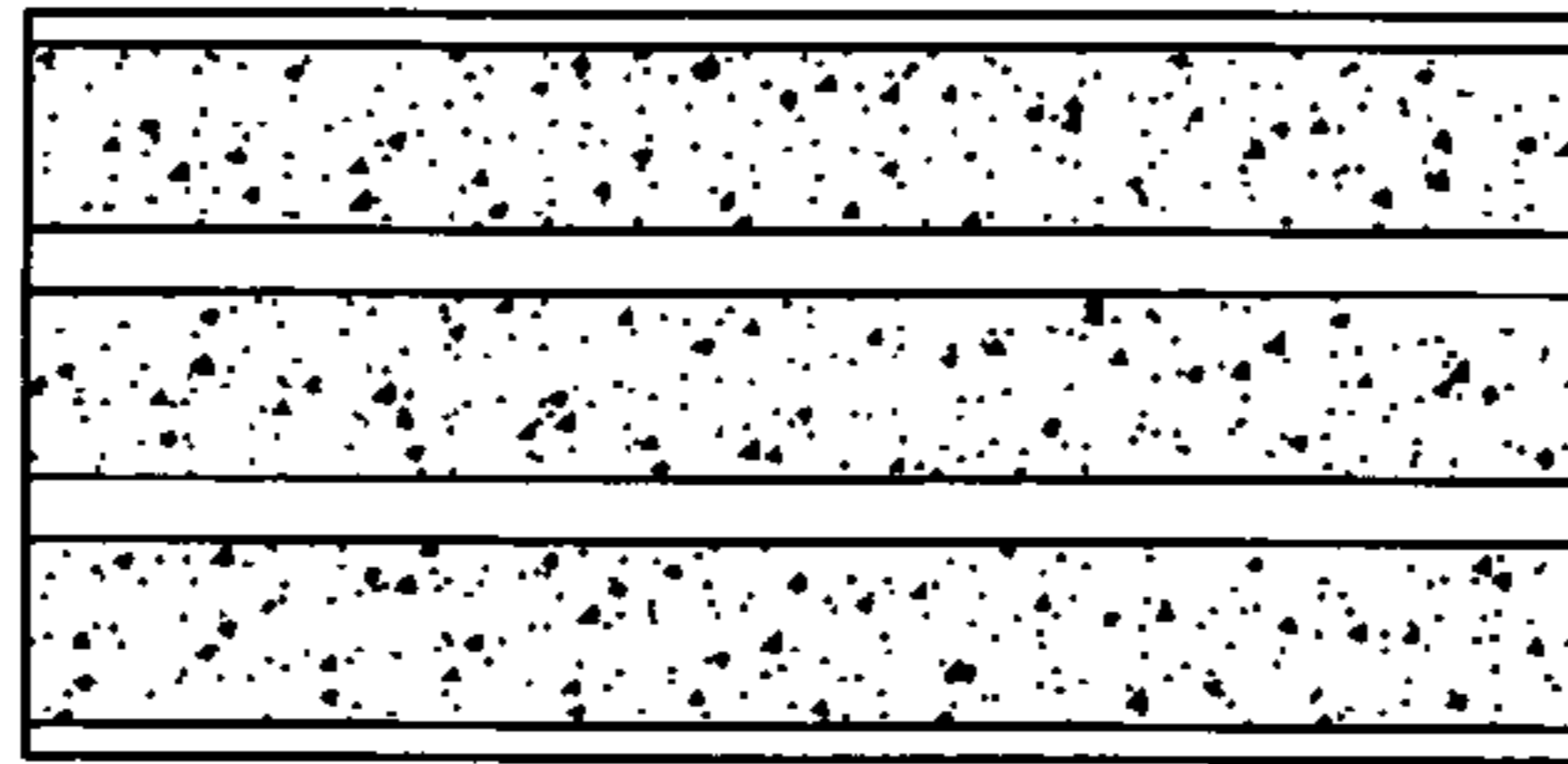


FIG. 2

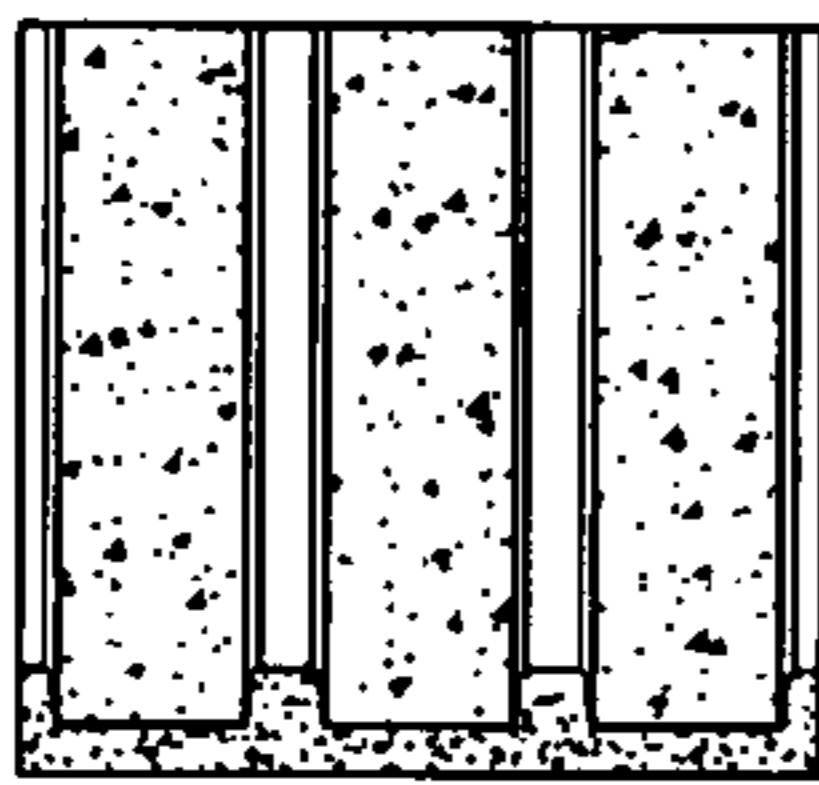


FIG. 3

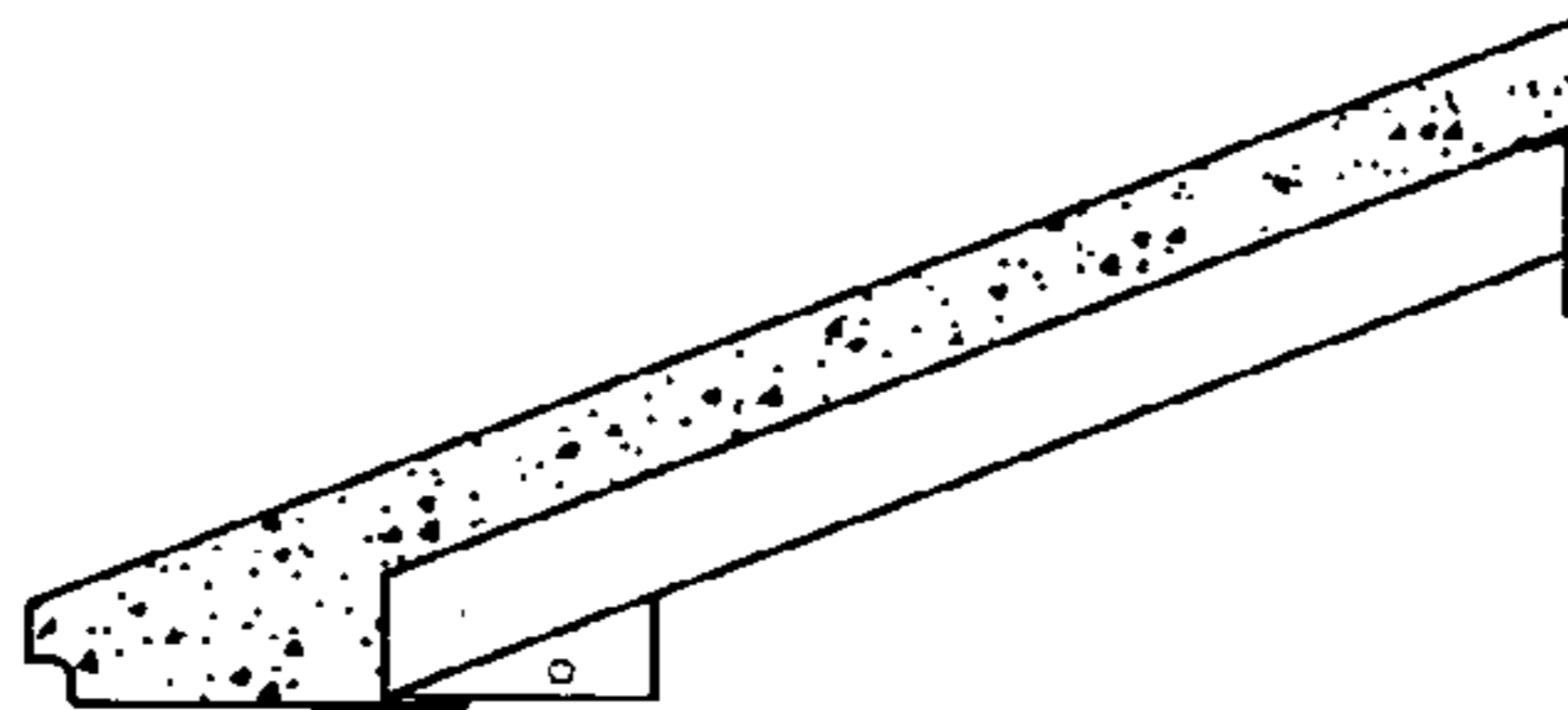


FIG. 4

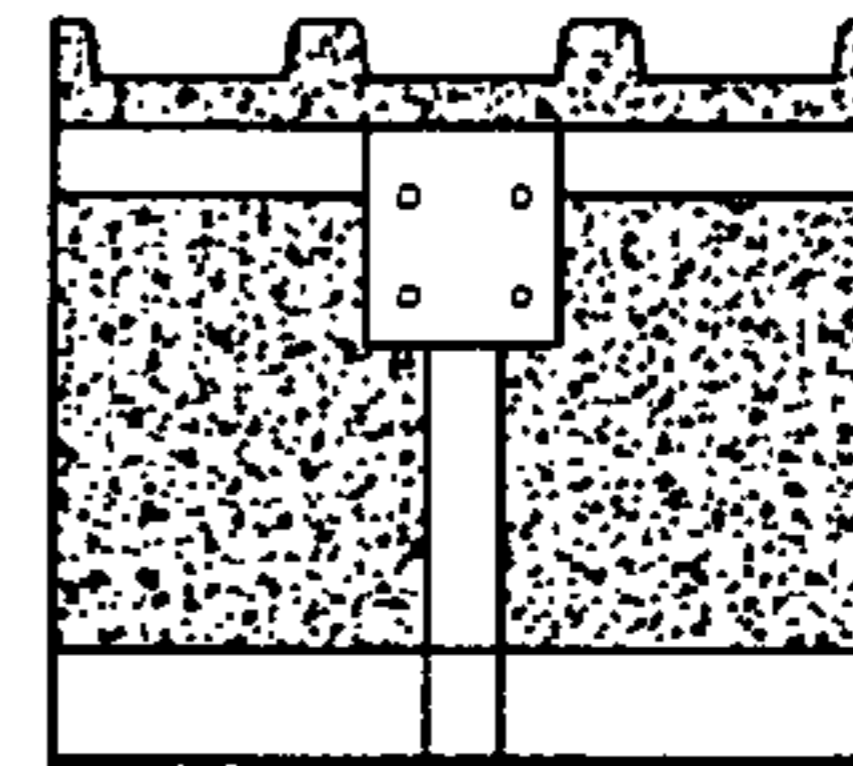


FIG. 5

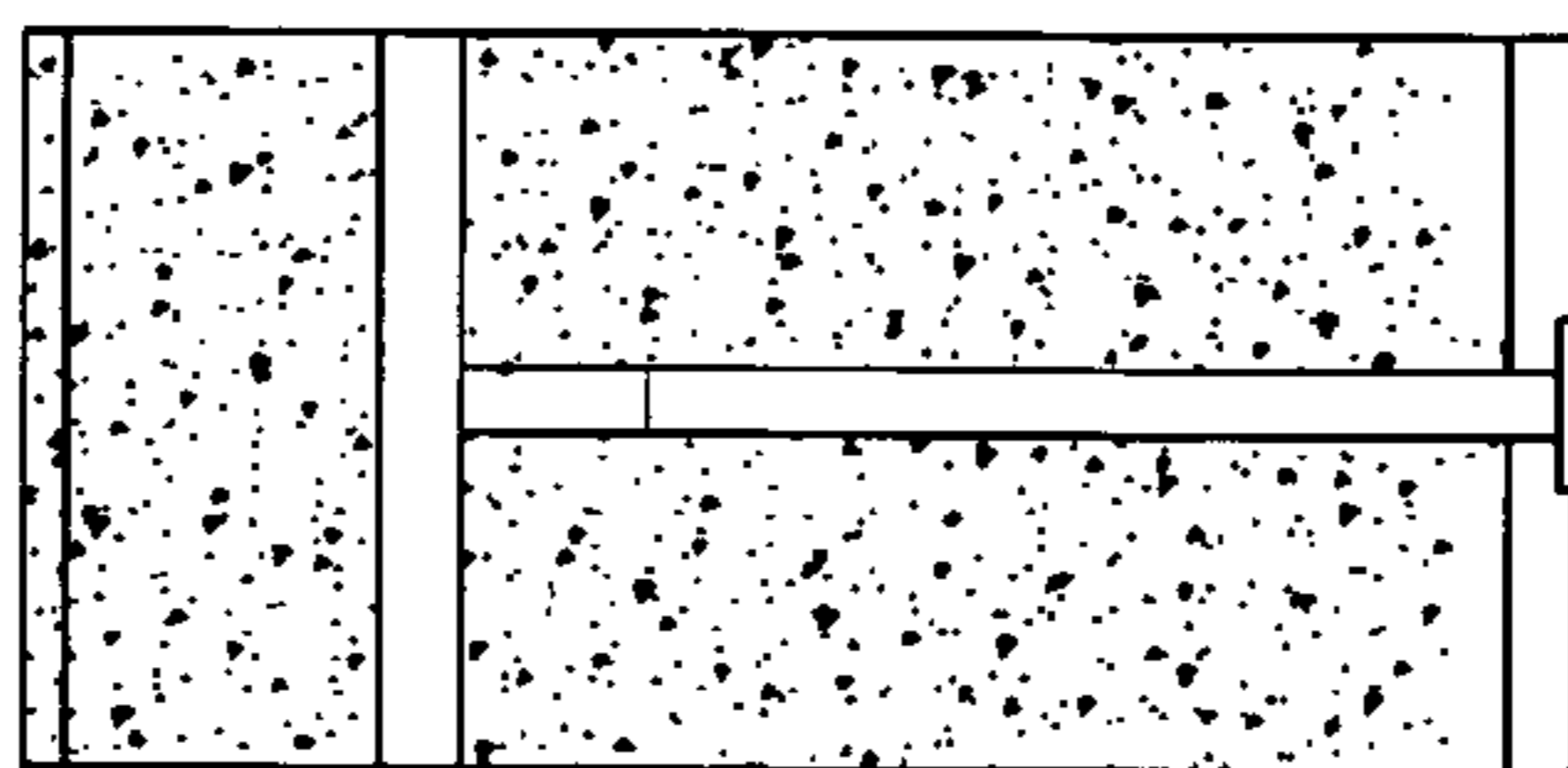


FIG. 6