



US00D673690S

(12) **United States Design Patent**
Akkala

(10) **Patent No.:** **US D673,690 S**
(45) **Date of Patent:** **** Jan. 1, 2013**

(54) **FRAME AND CURB BOX**

(75) Inventor: **Steven M. Akkala**, Neenah, WI (US)

(73) Assignee: **Neenah Foundry Company**, Neenah, WI (US)

(**) Term: **14 Years**

(21) Appl. No.: **29/410,618**

(22) Filed: **Jan. 10, 2012**

(51) **LOC (9) Cl.** **25-03**

(52) **U.S. Cl.** **D25/36**

(58) **Field of Classification Search** D25/36;
D23/267; 210/170, 170.01, 170.03, 162-166,
210/474; 404/4, 5

See application file for complete search history.

(56) **References Cited**

U.S. PATENT DOCUMENTS

D29,706	S	*	11/1898	Lonegran	D25/36
D30,054	S	*	1/1899	Lonegran	D25/36
D276,839	S	*	12/1984	McCoy	D23/261
6,234,711	B1		5/2001	Beaman		
6,997,636	B2	*	2/2006	Tremouilhac	404/5
7,132,045	B1	*	11/2006	Trangsrud	210/163
D556,865	S	*	12/2007	Trangsrud	D23/267
7,309,420	B1	*	12/2007	Trangsrud	210/163
D559,959	S	*	1/2008	Trangsrud	D23/268
7,611,304	B2	*	11/2009	Lill et al.	404/4
2004/0007655	A1	*	1/2004	Piscovich	249/10
2005/0207839	A1		9/2005	Tremouilhac		
2007/0086856	A1	*	4/2007	Lill et al.	404/4
2008/0237100	A1		10/2008	Wimberger		

OTHER PUBLICATIONS

R-3287-10V-Combination Inlet, With Curb Box, Neenah Foundry Catalog, Jan. 6, 2012, 1 page, Copyright 2012 Neenah Foundry, <http://www.nfco.com/municipal/products/print-hl/>.

R-3287-SB10-Combination Inlet, With Curb Box, Neenah Foundry Catalog, Jan. 6, 2012, 1 page, Copyright 2012 Neenah Foundry, <http://www.nfco.com/municipal/products/print-hl/>.

* cited by examiner

Primary Examiner — Eric Goodman

(74) *Attorney, Agent, or Firm* — Krieg DeVault LLP

(57) **CLAIM**

The ornamental design for a frame and curb box, as shown and described.

DESCRIPTION

FIG. 1 is a top, front and right side perspective view of the frame and curb box of the present invention.

FIG. 2 is a top view of the frame and curb box of FIG. 1.

FIG. 3 is a right side elevational view of the frame and curb box of FIG. 1.

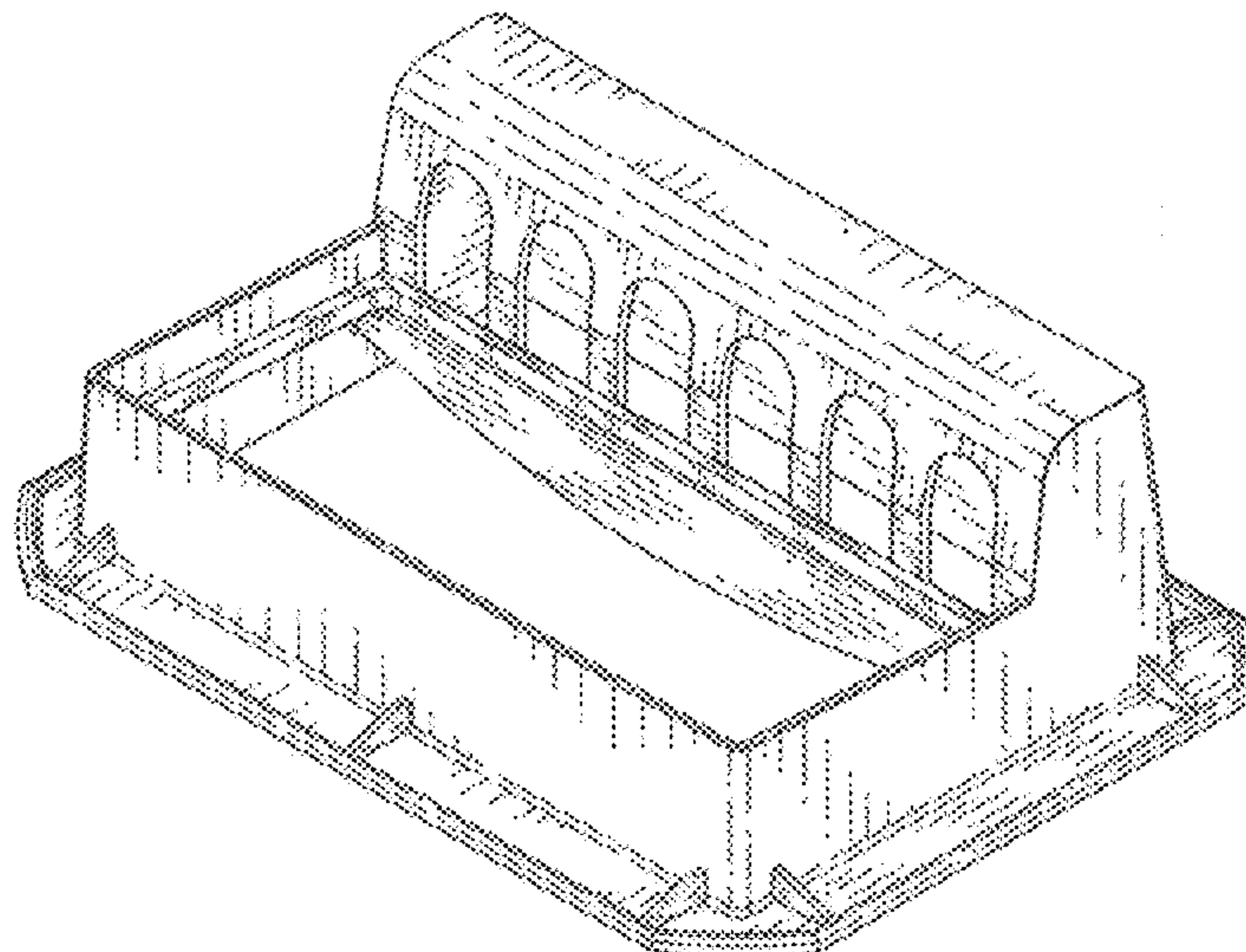
FIG. 4 is a front elevational view of the frame and curb box of FIG. 1.

FIG. 5 is a rear elevational view of the frame and curb box of FIG. 1; and,

FIG. 6 is a bottom, front and right side perspective view of the frame and curb box of FIG. 1.

The left side elevational view of the frame and curb box is a mirror image of the right side elevational view.

1 Claim, 4 Drawing Sheets



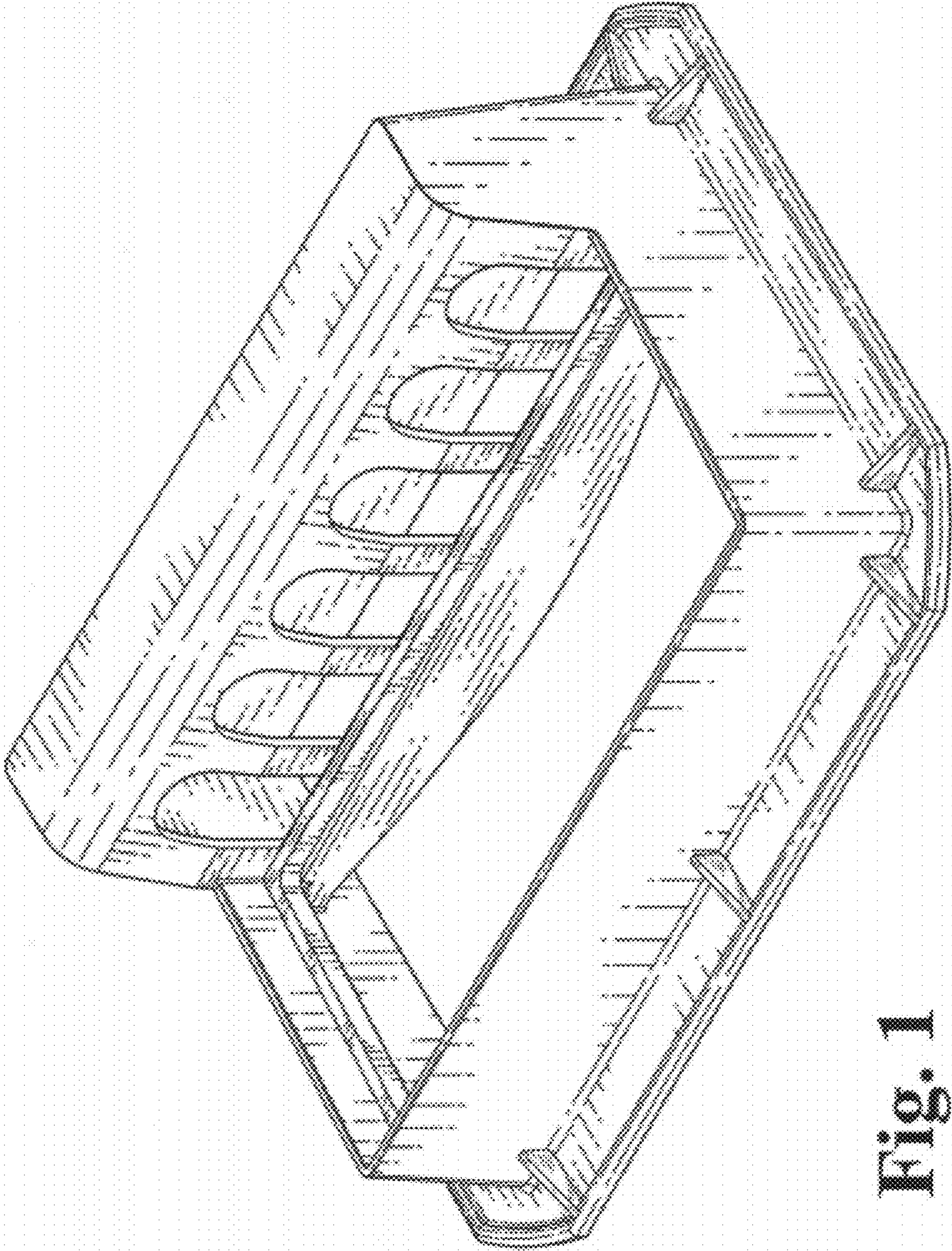


Fig. 1

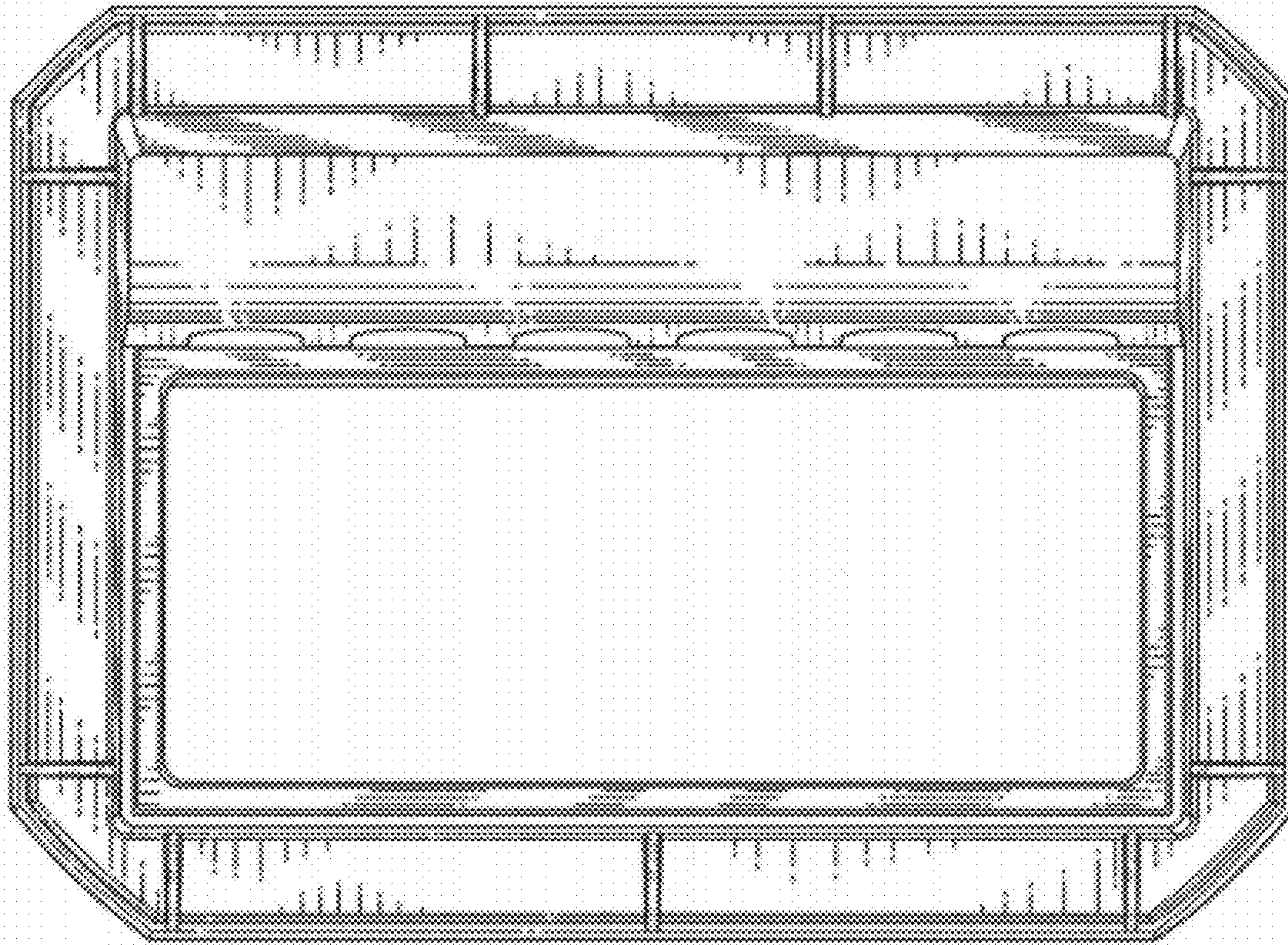


Fig. 2

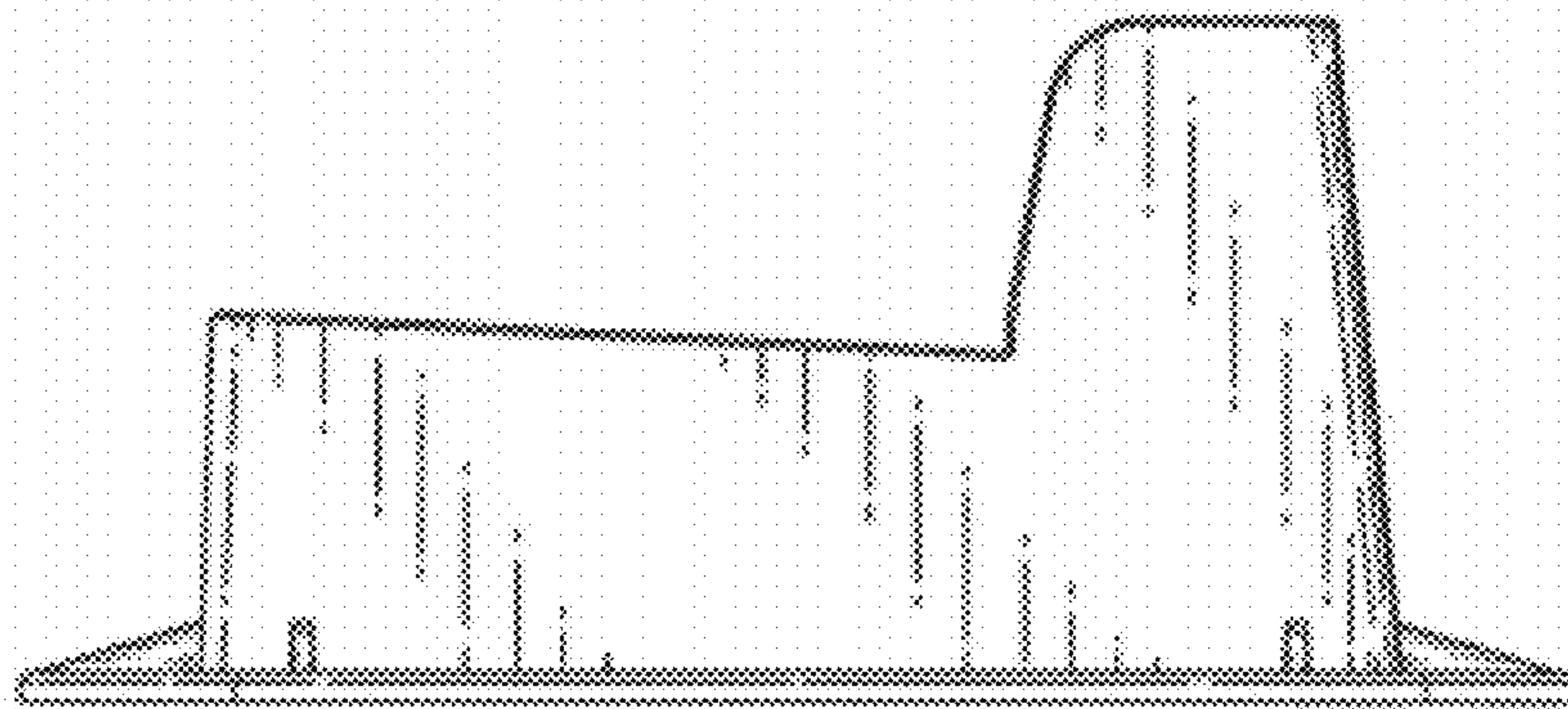


Fig. 3

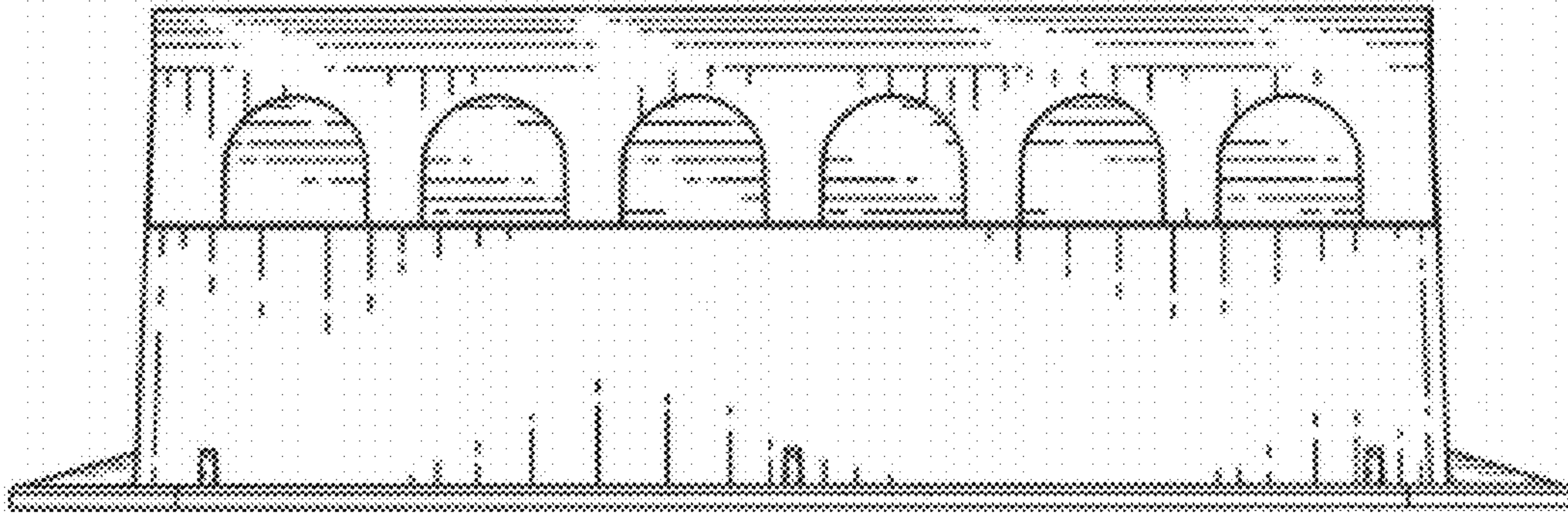


Fig. 4

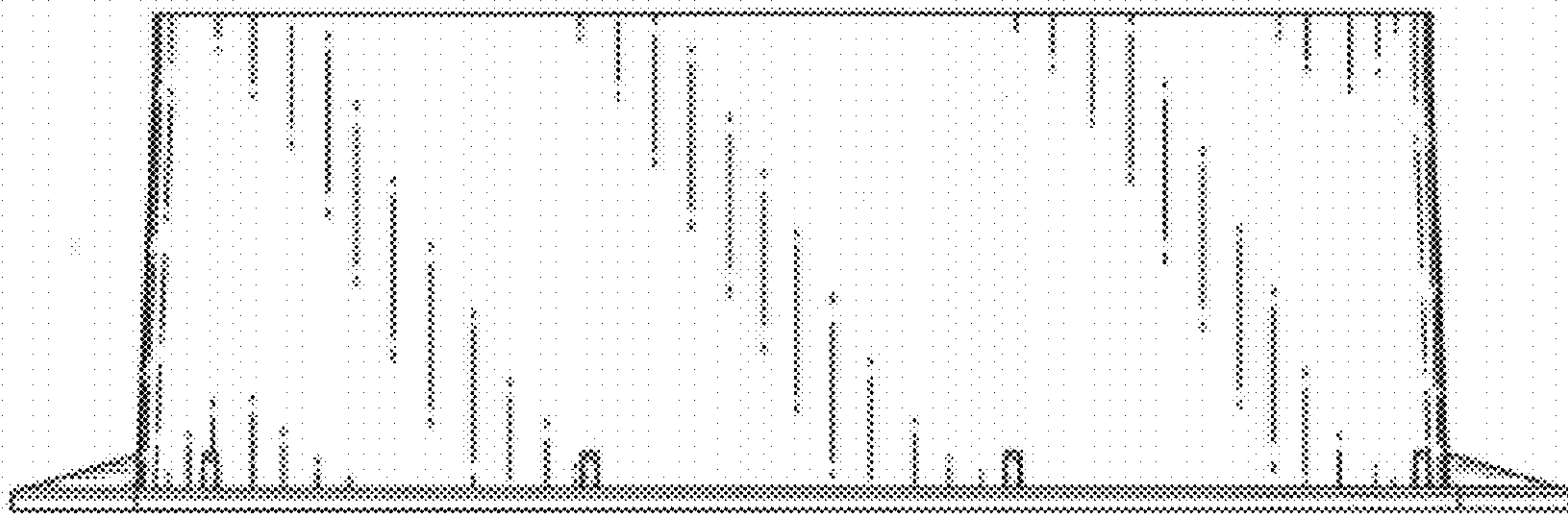


Fig. 5

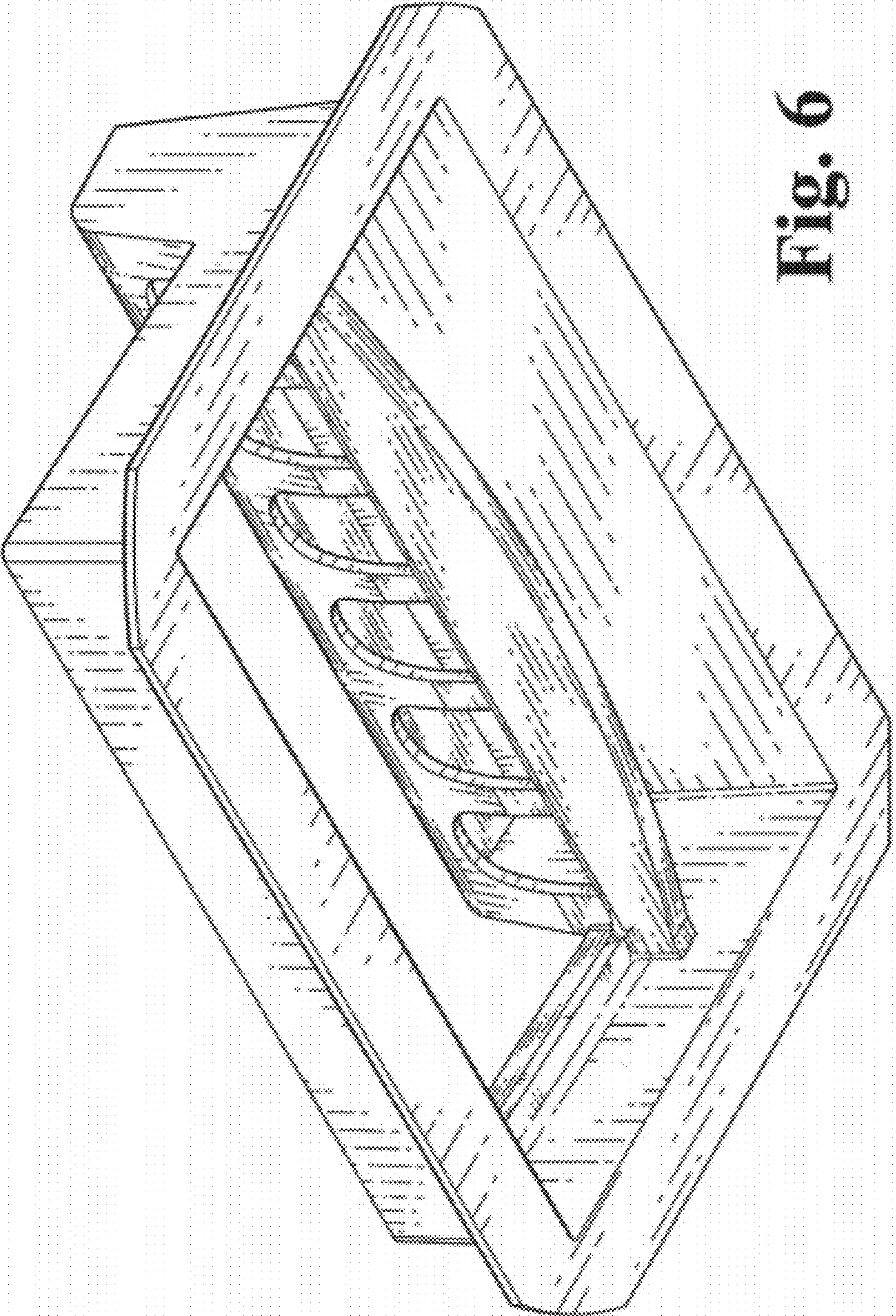


Fig. 6