



US00D673689S

(12) **United States Design Patent**
Pierce et al.

(10) **Patent No.:** **US D673,689 S**
(45) **Date of Patent:** **** Jan. 1, 2013**

(54) **BUCCAL SAMPLE COLLECTOR AND CONTAINER COMBINED**

(75) Inventors: **Alan Stuart Pierce**, Cardiff (GB);
Cheryl Louise Potts, Cardiff (GB);
Simon Laurence John Stubbs, Cardiff (GB); **David Gwyn Treharne**, Newport (GB)

(73) Assignee: **GE Healthcare UK Limited**, Little Chalfont (GB)

(**) Term: **14 Years**

(21) Appl. No.: **29/409,340**

(22) Filed: **Dec. 22, 2011**

(30) **Foreign Application Priority Data**

Jun. 27, 2011 (EM) 001282826

(51) **LOC (9) Cl.** **24-01**

(52) **U.S. Cl.** **D24/216**

(58) **Field of Classification Search** D24/216-226,
D24/227, 231, 232, 107, 169, 186; D10/81;
422/400-404, 408, 430, 68.1, 500, 502, 503,
422/810

See application file for complete search history.

(56) **References Cited**

U.S. PATENT DOCUMENTS

4,963,325 A * 10/1990 Lennon et al. 436/810
5,017,342 A * 5/1991 Haberzettl et al. D24/223
5,380,492 A * 1/1995 Seymour 435/288.1

D369,868 S * 5/1996 Nazareth et al. D24/225
5,753,497 A * 5/1998 Bernstein et al. 435/287.1
5,980,828 A * 11/1999 McClintock et al. 422/417
D432,244 S * 10/2000 Anderson et al. D24/223
D495,805 S * 9/2004 Lea et al. D24/223
D500,142 S * 12/2004 Crisanti et al. D24/224
7,294,502 B2 * 11/2007 Eckermann et al. 435/287.1
7,854,895 B2 * 12/2010 Gallagher et al. 422/501
D634,023 S * 3/2011 Wei D24/223
D640,794 S * 6/2011 Sunstrum et al. D24/216

* cited by examiner

Primary Examiner — Anhdao Doan

(57) **CLAIM**

The ornamental design for a buccal sample collector and container combined, as shown and described.

DESCRIPTION

FIG. 1 is a perspective view of the buccal sample collector and container combined showing our new design in an open configuration.

FIG. 2 is a top plan view of the buccal sample collector and container combined of FIG. 1.

FIG. 3 is a bottom plan view of the buccal sample collector and container combined of FIG. 1.

FIG. 4 is a left side view of the buccal sample collector and container combined of FIG. 1.

FIG. 5 is a perspective view of the buccal sample collector and container combined showing our new design in a closed configuration.

FIG. 6 is a top plan view of the buccal sample collector and container combined of FIG. 5; and,

FIG. 7 is a left side view of the buccal sample collector and container combined of FIG. 5.

1 Claim, 4 Drawing Sheets

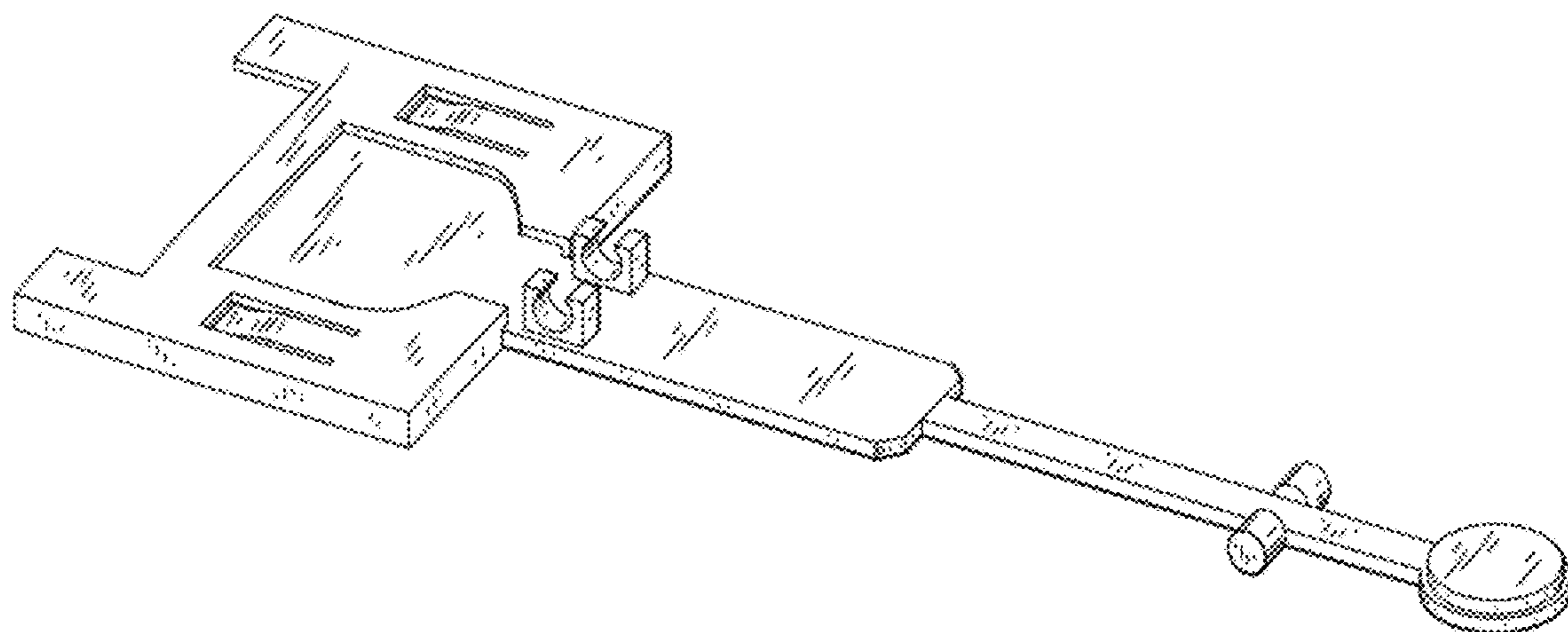


FIG. 1

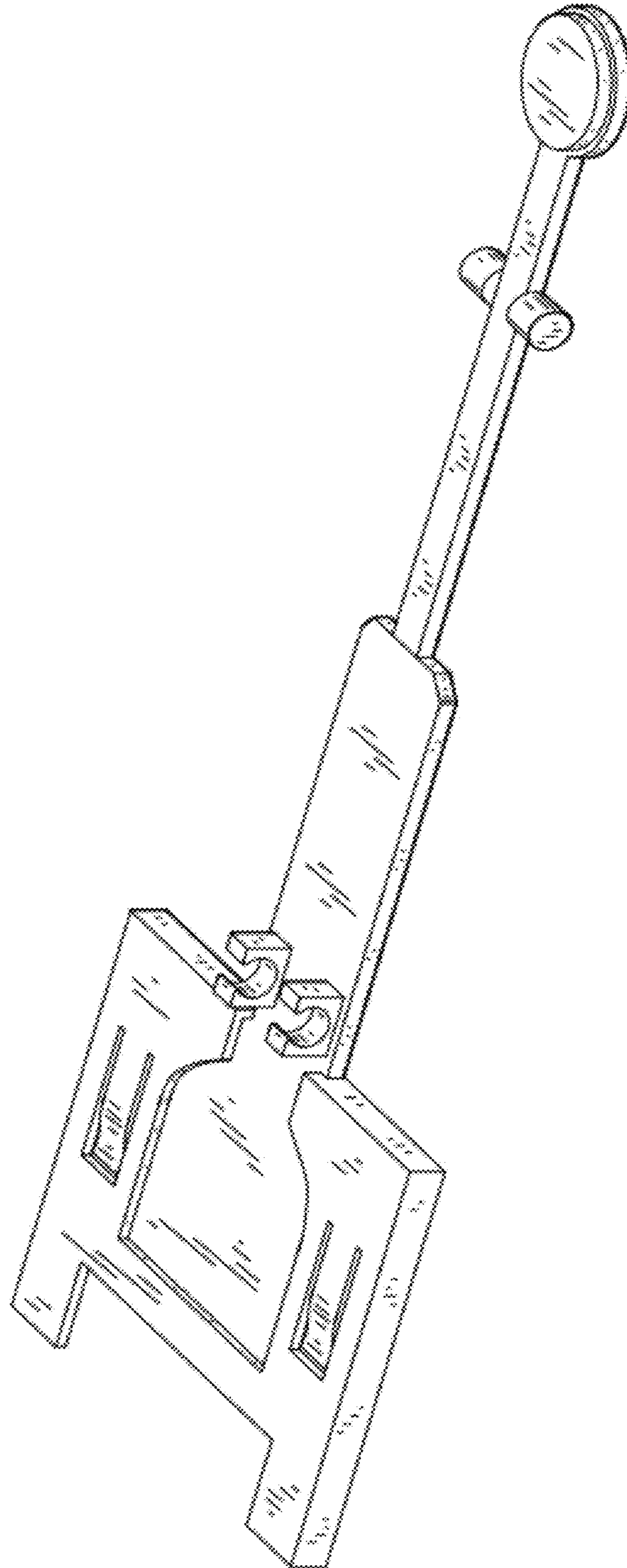


FIG. 2

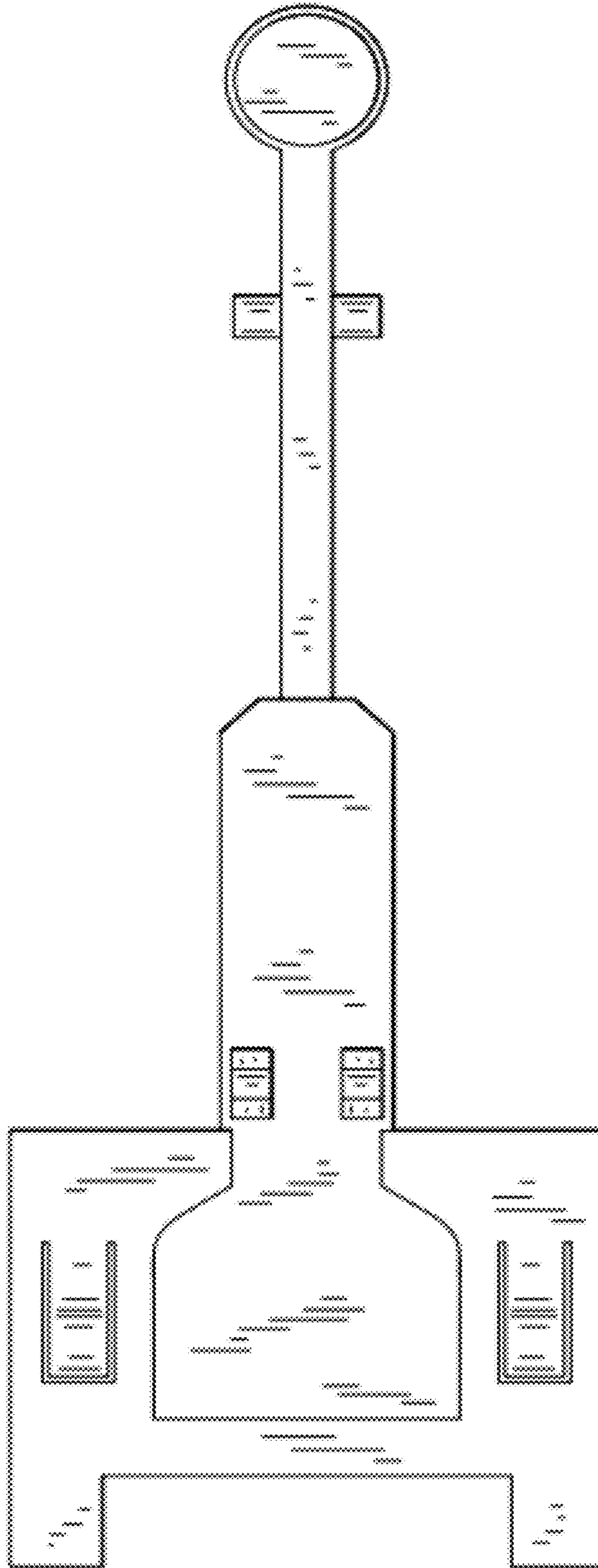


FIG. 3

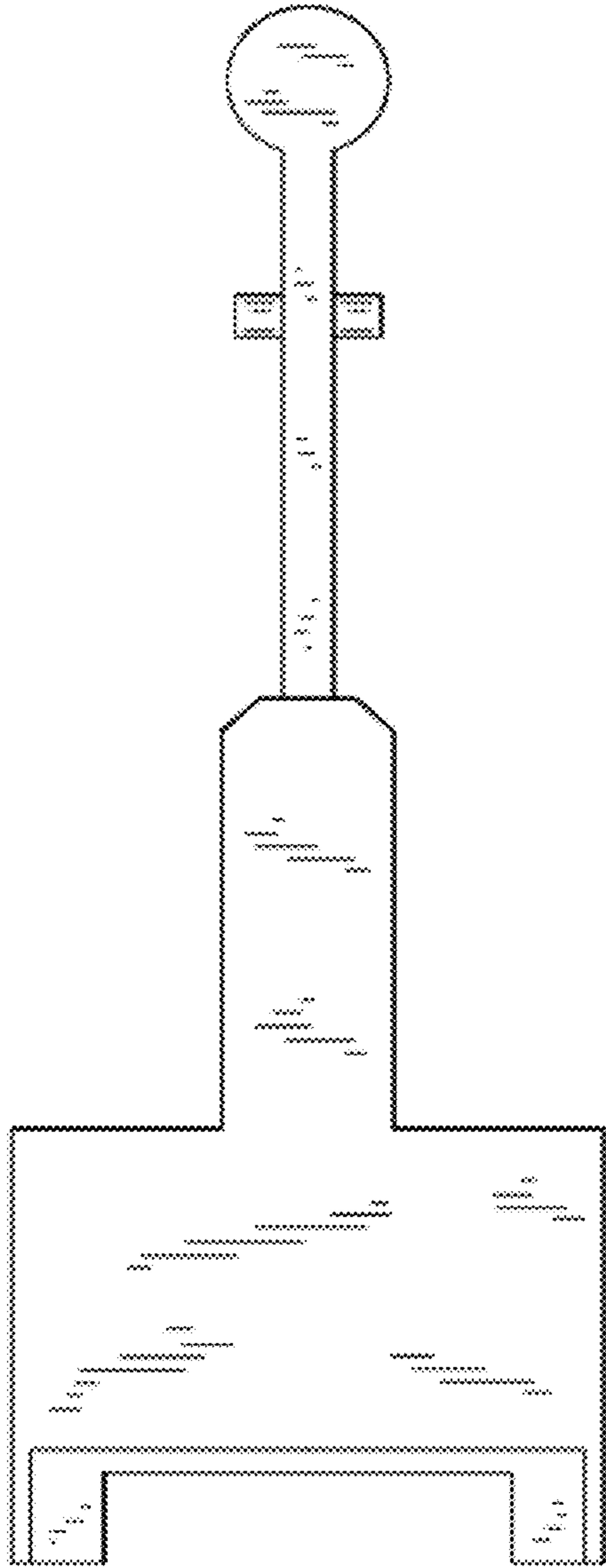


FIG. 4

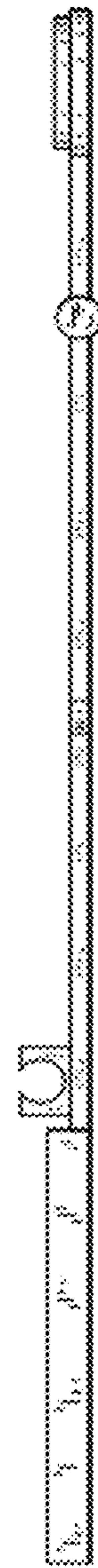


FIG. 5

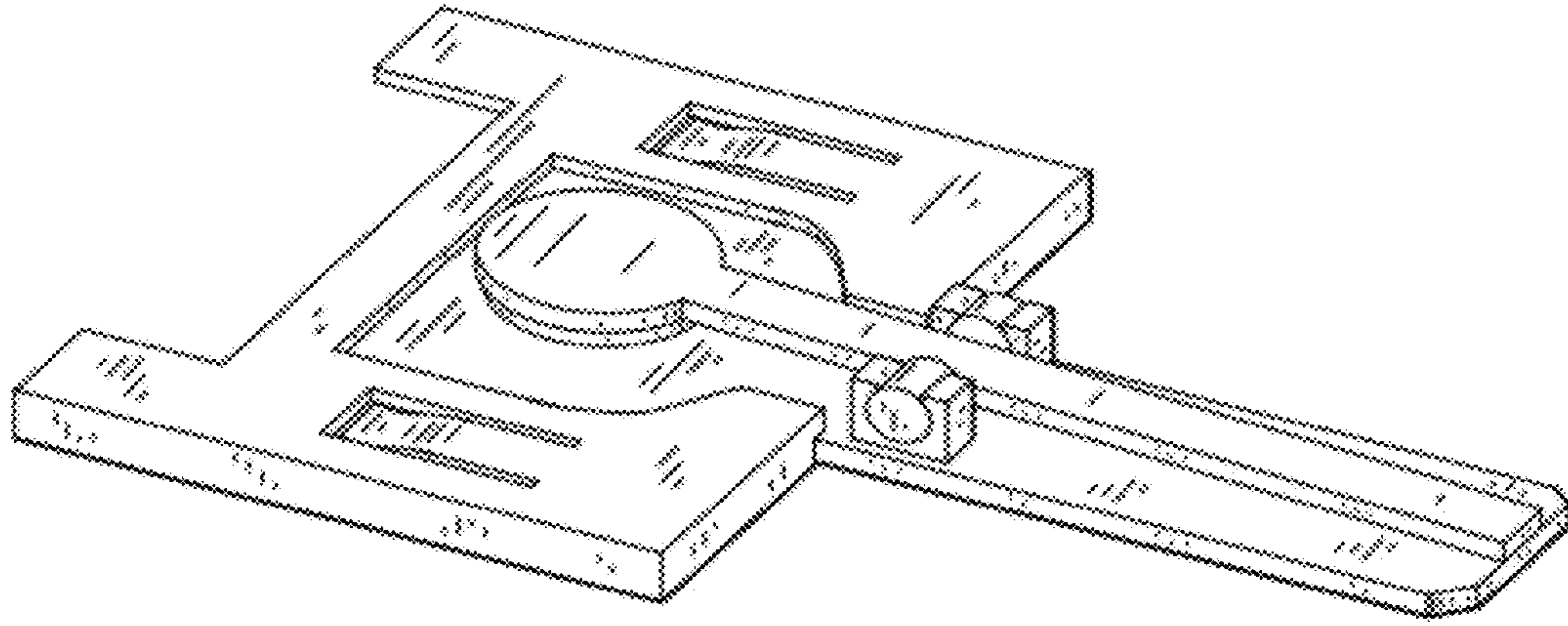


FIG. 6

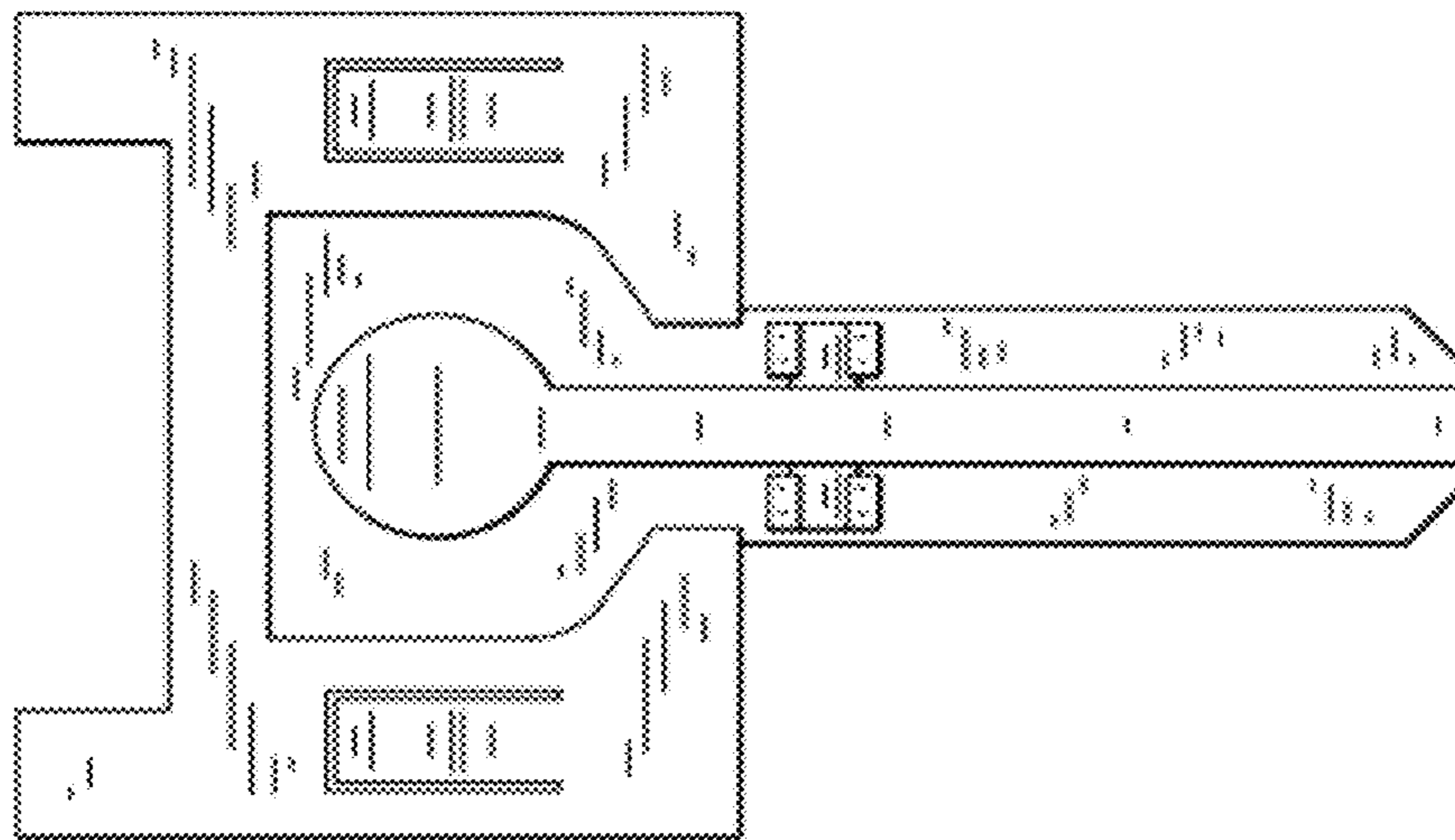


FIG. 7

