



US00D673685S

(12) **United States Design Patent**
Cunningham

(10) **Patent No.:** **US D673,685 S**
(45) **Date of Patent:** **** Jan. 1, 2013**

(54) **MICROWAVE DEVICE SPACER AND POSITIONER WITH ARCUATE SLOT**

6,031,375 A 2/2000 Atalar et al.
D424,693 S 5/2000 Pruter
6,241,725 B1 6/2001 Cosman

(Continued)

(75) Inventor: **Robert B. Cunningham**, Longmont, CO (US)

FOREIGN PATENT DOCUMENTS

(73) Assignee: **Vivant Medical, Inc.**, Boulder, CO (US)

DE 390937 3/1924

(Continued)

(**) Term: **14 Years**

OTHER PUBLICATIONS

(21) Appl. No.: **29/369,382**

U.S. Appl. No. 08/483,742, filed Jun. 7, 1995.

(Continued)

(22) Filed: **Sep. 8, 2010**

(51) **LOC (9) Cl.** **24-01**

(52) **U.S. Cl.** **D24/186; D24/170**

(58) **Field of Classification Search** D8/354,
D8/349; D24/186, 187, 170, 107, 158, 164,
D24/165, 167, 231; 606/33, 41, 47, 48, 240,
606/150; 600/300, 301, 368, 372, 481, 529,
600/544, 554, 561; 422/1, 61, 68.1, 99-104,
422/129

Primary Examiner — Mark Goodwin

(57) **CLAIM**

I claim an ornamental design for a microwave device spacer and positioner with arcuate slot, as shown and described.

DESCRIPTION

See application file for complete search history.

FIG. 1 is a top, perspective view of a microwave device spacer and positioner with arcuate slot in accordance with the present design;

FIG. 2 is a top, plan view of the microwave device spacer and positioner with arcuate slot of FIG. 1;

FIG. 3 is a bottom, plan view of the microwave device spacer and positioner with arcuate slot of FIG. 1;

FIG. 4 is a front view of the microwave device spacer and positioner with arcuate slot of FIG. 1;

FIG. 5 is a rear view of the microwave device spacer and positioner with arcuate slot of FIG. 1;

FIG. 6 is a right, side view of the microwave device spacer and positioner with arcuate slot of FIG. 1;

FIG. 7 is a left, side view of the microwave device spacer and positioner with arcuate slot of FIG. 1; and,

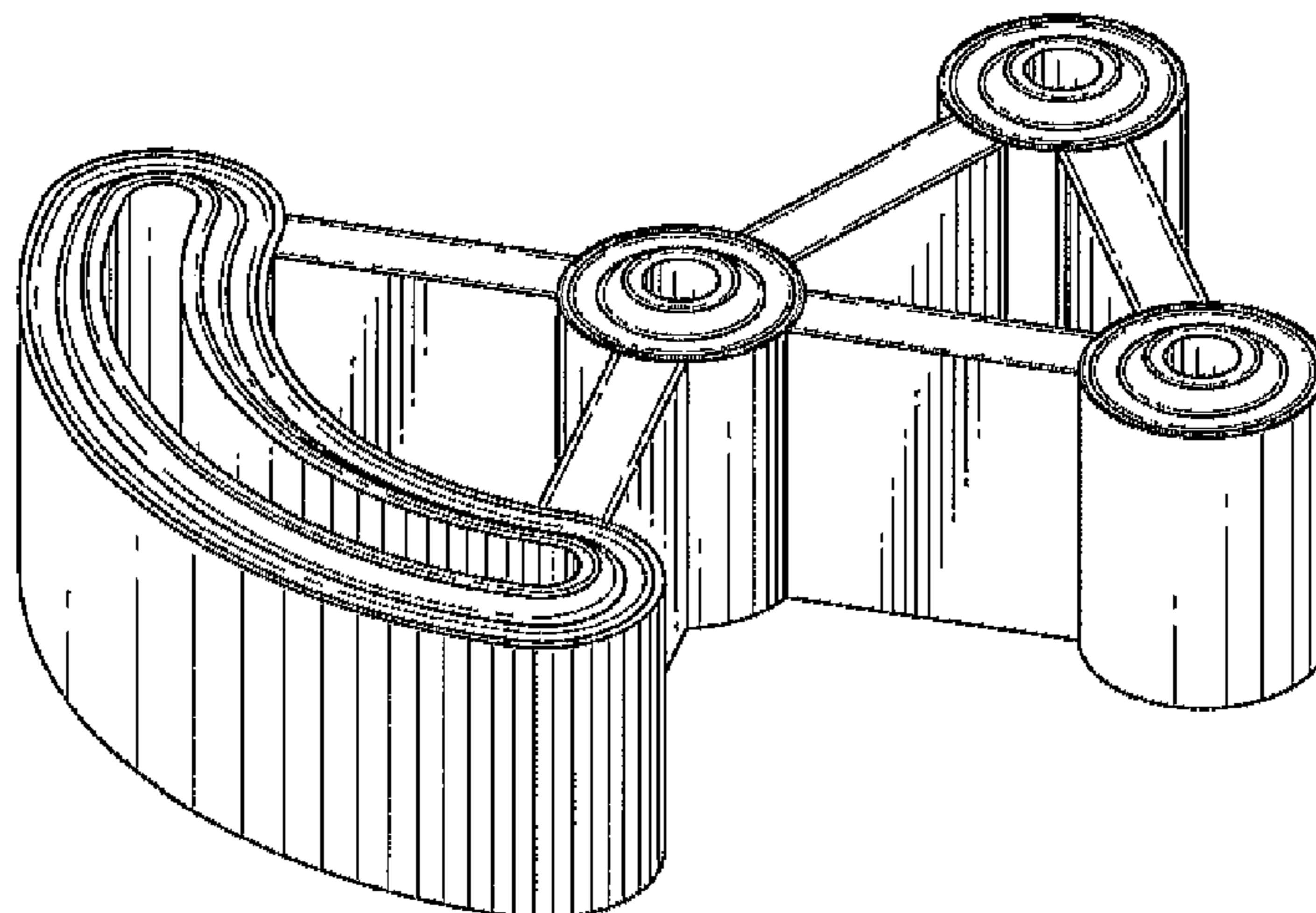
FIG. 8 is a bottom, perspective view of the microwave device spacer and positioner with arcuate slot of FIG. 1.

(56) **References Cited**

U.S. PATENT DOCUMENTS

3,631,363	A	12/1971	Miller	
D223,367	S *	4/1972	Kountz	D14/484
D239,123	S *	3/1976	Reed et al.	D21/717
D266,842	S	11/1982	Villers et al.	
4,397,313	A	8/1983	Vaguine	
4,462,412	A	7/1984	Turner	
D278,306	S	4/1985	McIntosh	
D279,466	S *	7/1985	Eberhart et al.	D12/180
4,572,190	A	2/1986	Azam et al.	
4,798,215	A	1/1989	Turner	
5,097,844	A	3/1992	Turner	
D354,218	S	1/1995	Van de Peer	
5,417,210	A	5/1995	Funda et al.	
5,623,931	A	4/1997	Wung et al.	
5,626,607	A	5/1997	Malecki et al.	
5,924,992	A	7/1999	Park et al.	

1 Claim, 4 Drawing Sheets



US D673,685 S

U.S. PATENT DOCUMENTS						
6,267,770	B1	7/2001	Truwit	2010/0234839	A1	9/2010
6,355,033	B1	3/2002	Moorman et al.	2010/0256624	A1	10/2010
6,375,606	B1	4/2002	Garibaldi et al.	2010/0262134	A1	10/2010
6,451,015	B1	9/2002	Rittman, III et al.			
6,564,806	B1	5/2003	Fogarty et al.			
6,603,994	B2	8/2003	Wallace et al.			
6,652,520	B2	11/2003	Moorman et al.			
D487,039	S	2/2004	Webster et al.			
6,725,080	B2	4/2004	Melkent et al.			
7,008,421	B2	3/2006	Daniel et al.			
D525,181	S *	7/2006	Horner D12/180			
7,197,363	B2	3/2007	Prakash et al.			
7,213,499	B2 *	5/2007	Strehler 91/376 R			
7,226,446	B1	6/2007	Mody et al.			
7,278,991	B2	10/2007	Morris et al.			
7,282,049	B2	10/2007	Orszulak et al.			
D559,080	S *	1/2008	Boote D8/354			
D576,932	S	9/2008	Strehler			
7,422,586	B2	9/2008	Morris et al.			
7,439,736	B2	10/2008	Meaney et al.			
7,452,331	B1	11/2008	Pruter			
7,467,015	B2	12/2008	Van der Weide			
D594,736	S	6/2009	Esjunin			
D594,737	S	6/2009	Kelly et al.			
7,553,309	B2	6/2009	Buyse et al.			
7,565,207	B2	7/2009	Turner et al.			
7,625,371	B2	12/2009	Morris et al.			
7,642,451	B2	1/2010	Bonn			
D613,412	S	4/2010	DeCarlo			
7,697,972	B2	4/2010	Verard et al.			
D635,001	S *	3/2011	Adkins D8/71			
2002/0022836	A1	2/2002	Goble et al.			
2003/0032951	A1	2/2003	Rittman, III et al.			
2004/0242992	A1	12/2004	Hareyama			
2004/0267256	A1	12/2004	Garabedian et al.			
2005/0137662	A1 *	6/2005	Morris et al. 607/101			
2005/0149010	A1	7/2005	Turovskiy et al.			
2005/0149101	A1	7/2005	Huschmand			
2006/0079887	A1 *	4/2006	Buyse et al. 606/41			
2006/0122581	A1	6/2006	Ein-Gal			
2006/0142757	A1	6/2006	Daniel et al.			
2007/0203480	A1	8/2007	Mody et al.			
2008/0021448	A1	1/2008	Orszulak et al.			
2008/0183165	A1	7/2008	Buyse et al.			
2009/0076497	A1	3/2009	Morris et al.			
2009/0138005	A1	5/2009	Prakash et al.			
2009/0171203	A1	7/2009	Avital et al.			
2009/0187180	A1	7/2009	Brannan			
2009/0192510	A1	7/2009	Bahney			
2009/0198226	A1	8/2009	Prakash et al.			
2009/0198227	A1	8/2009	Prakash			
2009/0222002	A1	9/2009	Bonn et al.			
2009/0248005	A1	10/2009	Rusin et al.			
2009/0248006	A1	10/2009	Paulus et al.			
2009/0264877	A1	10/2009	DeCarlo			
2009/0295674	A1	12/2009	Bonn			
2009/0306652	A1	12/2009	Buyse et al.			
2009/0306659	A1	12/2009	Buyse			
2009/0326620	A1	12/2009	Rossetto et al.			
2010/0030206	A1	2/2010	Brannan et al.			
2010/0030208	A1	2/2010	Manley			
2010/0030210	A1	2/2010	Paulus			
2010/0036379	A1	2/2010	Prakash et al.			
2010/0045558	A1	2/2010	Rossetto			
2010/0045559	A1	2/2010	Rossetto			
2010/0049185	A1	2/2010	Paulus			
2010/0049193	A1	2/2010	Huseman			
2010/0053015	A1	3/2010	Willyard			
2010/0057070	A1	3/2010	Behnke et al.			
2010/0076422	A1	3/2010	Podhajsky			
2010/0082082	A1	4/2010	Prakash et al.			
2010/0087808	A1	4/2010	Paulus			
2010/0094272	A1	4/2010	Rossetto et al.			
2010/0094273	A1	4/2010	Rossetto et al.			
2010/0097284	A1	4/2010	Brannan et al.			
2010/0101825	A1	4/2010	Bonn			
2010/0217251	A1	8/2010	Rossetto et al.			
2010/0217252	A1	8/2010	Rossetto et al.			

FOREIGN PATENT DOCUMENTS

	DE		1099658			2/1961
	DE		1139927			11/1962
	DE		1149832			6/1963
	DE		1439302			1/1969
	DE		2439587			2/1975
	DE		2455174			5/1975
	DE		2407559			8/1975
	DE		2415263			10/1975
	DE		2429021			1/1976
	DE		2460481			6/1976
	DE		2602517			7/1976
	DE		2504280			8/1976
	DE		2627679			1/1977
	DE		2540968			3/1977
	DE		2820908			11/1978
	DE		2803275			8/1979
	DE		2823291			11/1979
	DE		2946728			5/1981
	DE		3143421			5/1982
	DE		3045996			7/1982
	DE		3120102			12/1982
	DE		3510586			10/1986
	DE		3604823			8/1987
	DE		8712328			3/1988
	DE		3711511			6/1988
	DE		3904558			8/1990
	DE		3942998			7/1991
	DE		4238263			5/1993
	DE		4303882			8/1994
	DE		4339049			5/1995
	DE		29616210			1/1997
	DE		19608716			4/1997
	DE		19751106			5/1998
	DE		19717411			11/1998
	DE		19751108			5/1999
	DE		19801173			7/1999
	DE		19848540			5/2000
	DE		10224154			12/2003
	DE		10328514			3/2005
	DE		102004022206			12/2005
	DE		202005015147			3/2006
	EA		1 645 235			4/2006
	EP		0 246 350			11/1987
	EP		0 481 685			4/1992
	EP		0 521 264			1/1993
	EP		0 541 930			5/1993
	EP		0 556 705			8/1993
	EP		0 558 429			9/1993
	EP		0 572 131			12/1993
	EP		0 836 868			4/1998
	EP		1 070 518			1/2001
	EP		1 159 926			5/2001
	EP		1 186 274			3/2002
	EP		1 278 007			1/2003
	EP		1 645 234			4/2006
	EP		1 810 627			7/2007
	FR		179607			11/1906
	FR		1 275 415			9/1960
	FR		1 347 865			11/1963
	FR		2 276 027			6/1974
	FR		2 235 669			1/1975
	FR		2 313 708			12/1976
	FR		2 502 935			10/1982
	FR		2 517 953			6/1983
	FR		2 573 301			11/1984
	FR		2 862 813			5/2005
	FR		2 864 439			7/2005
	JP		5-5106			1/1993
	JP		05-40112			2/1993
	JP		06343644			12/1994
	JP		07265328			10/1995
	JP		08056955			3/1996
	JP		08252263			10/1996
	JP		09010223			1/1997

JP	11244298	9/1999
JP	2000342599	12/2000
JP	2000350732	12/2000
JP	2001008944	1/2001
JP	2001029356	2/2001
JP	2001128990	5/2001
SU	166452	11/1964
SU	401367	11/1974
SU	727201	4/1980
WO	WO97/41924	11/1997
WO	WO97/43971	11/1997
WO	WO99/4710	2/1999
WO	WO00/48672	8/2000
WO	WO00/51513	9/2000
WO	WO01/01847	1/2001
WO	WO01/74252	10/2001
WO	WO02/45790	6/2002
WO	WO02/061880	8/2002
WO	WO2004/112628	12/2004
WO	WO2005/009528	2/2005
WO	WO2005/016119	2/2005

OTHER PUBLICATIONS

- U.S. Appl. No. 08/136,098, filed Oct. 14, 1993.
- U.S. Appl. No. 12/436,237, filed May 6, 2009.
- U.S. Appl. No. 12/436,239, filed May 6, 2009.
- U.S. Appl. No. 12/436,231, filed May 6, 2009.
- U.S. Appl. No. 12/472,831, filed May 27, 2009.
- U.S. Appl. No. 12/475,082, filed May 29, 2009.
- U.S. Appl. No. 12/476,960, filed Jun. 2, 2009.
- U.S. Appl. No. 12/536,616, filed Aug. 6, 2009.
- U.S. Appl. No. 12/877,182, filed Sep. 8, 2010.
- Alexander et al., "Magnetic Resonance Image-Directed Stereotactic Neurosurgery: Use of Image Fusion with Computerized Tomography to Enhance Spatial Accuracy" *Journal Neurosurgery*, 83 (1995), pp. 271-276.
- Anderson et al., "A Numerical Study of Rapid Heating for High Temperature Radio Frequency Hyperthermia" *International Journal of Bio-Medical Computing*, 35 (1994), pp. 297-307.
- Anonymous. (1999) Auto Suture MIBB Site Marker: Single Use Clip Applier, United States Surgical (Product instructions), 2 pages.
- Anonymous. (2001) Disposable Chiba Biopsy Needles and Trays, Biopsy and Special Purpose Needles Cook Diagnostic and Interventional Products Catalog (products list), 4 pages.
- Anonymous. (1987) Homer Mammalok™ Breast Lesion Needle/Wire Localizer, Namic ® Angiographic Systems Division, Glens Falls, New York, (Hospital products price list), 4 pages.
- Anonymous. (1999) MIBB Site Marker, United States Surgical (Sales brochure), 4 pages.
- Anonymous. Blunt Tubes with Finished Ends. Pointed Cannula, Popper & Sons Biomedical Instrument Division, (Products Price List), one page, Jul. 19, 2000.
- Anonymous. Ground Cannulae, ISPG, New Milford, CT, (Advertisement) one page, Jul. 19, 2000.
- B. Levy M.D. et al., "Update on Hysterectomy New Technologies and Techniques" *OBG Management*, Feb. 2003.
- B. Levy M.D., "Use of a New Vessel Ligation Device During Vaginal Hysterectomy" *FIGO 2000*, Washington, D.C.
- B. Levy M.D. et al., "Randomized Trial of Suture Versus Electrosurgical Bipolar Vessel Sealing in Vaginal Hysterectomy" *Obstetrics & Gynecology*, vol. 102, No. 1, Jul. 2003.
- B. F. Mullan et al., (May 1999) "Lung Nodules: Improved Wire for CT-Guided Localization," *Radiology* 211:561-565.
- B. T. Heniford M.D. et al., "Initial Research and Clinical Results with an Electrothermal Bipolar Vessel Sealer" Oct. 1999.
- Bergdahl et al., "Studies on Coagulation and the Development of an Automatic Computerized Bipolar Coagulator" *Journal of Neurosurgery* 75:1 (Jul., 1991), pp. 148-151.
- Bulletin of the American Physical Society, vol. 47, No. 5, Aug. 2002, p. 41.
- C. F. Gottlieb et al., "Interstitial Microwave Hyperthermia Applicators having Submillimetre Diameters", *Int. J. Hyperthermia*, vol. 6, No. 3, pp. 707-714, 1990.
- C. H. Durney et al., "Antennas for Medical Applications", *Antenna Handbook: Theory Application and Design*, p. 24-40, Van Nostrand Reinhold, 1988 New York, V.T. Lo, S.W. Lee.
- Carbonell et al., "Comparison of the Gyrus PlasmaKinetic Sealer and the Valleylab LigaSure™ Device in the Hemostasis of Small, Medium, and Large-Sized Arteries" *Carolinas Laparoscopic and Advanced Surgery Program*, Carolinas Medical Center, Charlotte, NC 2003.
- Carus et al., "Initial Experience With the LigaSure™ Vessel Sealing System in Abdominal Surgery" *Innovations That Work*, Jun. 2002.
- Chicharo et al., "A Sliding Goertzel Algorithm" Aug. 1996 DOS pp. 283-297 *Signal Processing*, Elsevier Science Publishers B.V. Amsterdam, NL, vol. 52, No. 3.
- Chou, C.K., (1995) "Radiofrequency Hyperthermia in Cancer Therapy," Chapter 94 In *Biologic Effects of Nonionizing Electromagnetic Fields*, CRC Press, Inc., pp. 1424-1428.
- Chung et al., "Clinical Experience of Sutureless Closed Hemorrhoidectomy with LigaSure™" *Diseases of the Colon & Rectum*, vol. 46, No. 1, Jan. 2003.
- Cosman et al., "Radiofrequency Lesion Generation and its Effect on Tissue Impedence", *Applied Neurophysiology*, 51:230-242, 1988.
- Cosman et al., "Theoretical Aspects of Radiofrequency Lesions in the Dorsal Root Entry Zone" *Neurosurgery* 15:(1984), pp. 945-950.
- Cosman et al., "Methods of Making Nervous System Lesions" in William RH, Rengachary SS (eds): *Neurosurgery*, New York: McGraw•Hill, vol. 111, (1984), pp. 2490-2499.
- Crawford et al., "Use of the LigaSure™ Vessel Sealing System in Urologic Cancer Surger" *Grand Rounds In Urology 1999*, vol. 1, Issue 4, pp. 1 0-17.
- Dulemba et al., "Use of a Bipolar Electrothermal Vessel Sealer in Laparoscopically Assisted Vaginal Hysterectomy" *Sales/Product Literature*; Jan. 2004.
- E. David Crawford, "Evaluation of a New Vessel Sealing Device in Urologic Cancer Surgery" *Sales/Product Literature 2000*.
- E. David Crawford, "Use of a Novel Vessel Sealing Technology in Management of the Dorsal Venous Complex" *Sales/Product Literature 2000*.
- Esterline Product Literature, "Light Key: Visualize a Virtual Keyboard. One With No Moving Parts", 4 pages.
- Esterline, "Light Key Projection Keyboard" 2004 Advanced Input Systems, located at: <<http://www.advanced-input.com/lightkey>> last visited on Feb. 10, 2005.
- Geddes et al., "The Measurement of Physiologic Events by Electrical Impedence" *Am. J. MI*, Jan. Mar. 1964, pp. 16-27.
- Goldberg et al., "Image-guided Radiofrequency Tumor Ablation: Challenges and Opportunities—Part I", (2001) *JVasc. Interv. Radiol*, vol. 12, pp. 1021-1032.
- Goldberg et al., "Tissue Ablation with Radiofrequency: Effect of Probe Size, Gauge, Duration, and Temperature on Lesion Volume" *Acad Radio* (1995) vol. 2, No. 5, pp. 399-404.
- H. Schwarzmaier et al., "Magnetic Resonance Imaging of Microwave Induced Tissue Heating" *Dept. of Laser Medicine & Dept. of Diagnostic Radiology; Heinrich-Heine-University, Duesseldorf, Germany*; Dec. 8, 1994; pp. 729-731.
- Heniford et al., "Initial Results with an Electrothermal Bipolar Vessel Sealer" *Surgical Endoscopy* (2001) 15:799-801.
- Herman et al., "Laparoscopic Intestinal Resection With the LigaSure™ Vessel Sealing System: A Case Report" *Innovations That Work*, Feb. 2002.
- Ian D. McRury et al., The Effect of Ablation Sequence and Duration on Lesion Shape Using Rapidly Pulsed Radiofrequency Energy Through Electrodes, Feb. 2000, *Springer Netherlands*, vol. 4; No. 1, pp. 307-320.
- Johnson et al., "Evaluation of a Bipolar Electrothermal Vessel Sealing Device in Hemorrhoidectomy" *Sales/Product Literature*, Jan. 2004.
- Jarrett et al., "Use of the LigaSure™ Vessel Sealing System for Peri-Hilar Vessels in Laparoscopic Nephrectomy" *Sales/Product Literature 2000*.
- Johnson, "Evaluation of the LigaSure™ Vessel Sealing System in Hemorrhoidectomy" *American College Of Surgeons (ACS) Clinic La Congress Poster* (2000).

- Johnson, "Use of the LigaSure™ Vessel Sealing System in Bloodless Hemorrhoidectomy" *Innovations That Work*, Mar. 2000.
- Joseph G. Andriole M.D. et al., "Biopsy Needle Characteristics Assessed in the Laboratory", *Radiology* 148: 659-662, Sep. 1983.
- Joseph Ortenberg, "LigaSure™ System Used in Laparoscopic 1st and 2nd Stage Orchiopexy" *Innovations That Work*, Nov. 2002.
- K. Ogata, *Modern Control Engineering*, Prentice-Hall, Englewood Cliffs, N.J., 1970.
- Kennedy et al., "High-burst-strength, feedback-controlled bipolar vessel sealing" *Surgical Endoscopy* (1998) 12:876-878.
- Kopans, D.B. et al., (Nov. 1985) "Spring Hookwire Breast Lesion Localizer: Use with Rigid-Compression. Mammographic Systems," *Radiology* 157(2):537-538.
- Koyle et al., "Laparoscopic Palomo Varicocele Ligation in Children and Adolescents" *Pediatric Endosurgery & Innovative Techniques*, vol. 6, No. 1, 2002.
- LigaSure™ Vessel Sealing System, the Seal of Confidence in General, Gynecologic, Urologic, and Laparoscopic Surgery, Sales/Product Literature, Jan. 2004.
- Livraghi et al., (1995) "Saline-enhanced RF Tissue Ablation in the Treatment of Liver Metastases", *Radiology*, pp. 205-210.
- Lyndon B. Johnson Space Center, Houston, Texas, "Compact Directional Microwave Antenna for Localized Heating," *NASA Tech Briefs*, Mar. 2008.
- M. A. Astrahan, "A Localized Current Field Hyperthermia System for Use with 192-Iridium Interstitial Implants" *Medical Physics*. 9(3), May/June. 1982.
- Magdy F. Iskander et al., "Design Optimization of Interstitial Antennas", *IEEE Transactions on Biomedical Engineering*, vol. 36, No. 2, Feb. 1989, pp. 238-246.
- McGahan et al., (1995) "Percutaneous Ultrasound-guided Radiofrequency Electrocautery Ablation of Prostate Tissue in Dogs", *Acad Radiol*, vol. 2, No. 1: pp. 61-65.
- McLellan et al., "Vessel Sealing for Hemostasis During Pelvic Surgery" *Int'l Federation of Gynecology and Obstetrics Figo World Congress 2000*, Washington, Dc.
- MDTECH product literature (Mar. 2000) I'D Wire: product description, 1 page.
- MDTECH product literature (Dec. 1999) "FlexStrand": product description, 1 page.
- Medtrex Brochure "The O.R. Pro 300" 1 page, Sep. 1998.
- Michael Choti, "Abdominoperineal Resection with the LigaSure™ Vessel Sealing System and LigaSure™ Atlas 20 cm Open Instrument" *Innovations That Work*, Jun. 2003.
- Muller et al., "Extended Left Hemicolectomy Using the LigaSure™ Vessel Sealing System" *Innovations That Work*. LJ, Sep. 1999.
- Murakami, R. et al., (1995). "Treatment of Hepatocellular Carcinoma: Value of Percutaneous Microwave Coagulation," *American Journal of Radiology (AJR)* 164:1159-1164.
- Ni Wei et al., "A Signal Processing Method for the Coriolis Mass Flowmeter Based on a Normalized . . ." *Journal of Applied Sciences*•Yingyong Kexue Xuebao, Shangha CN, vol. 23, No. 2:(2005•03); pp. 160-184.
- Ogden, "Goertzel Alternative to the Fourier Transform" Jun. 1993 pp. 485-487 *Electronics World*; Reed Business Publishing, Sutton, Surrey, BG, vol. 99, No. 9, 1687.
- Olsson M.D. et al., "Radical Cystectomy in Females" *Current Surgical Techniques in Urology*, vol. 14, Issue 3, 2001.
- Organ, L W., "Electrophysiologic Principles of Radiofrequency Lesion Making" *Appl. Neurophysiol*, vol. 39: pp. 69-76 (1976/77).
- P.R. Stauffer et al., "Interstitial Heating Technologies", *Thermoradiotherapy and Thermochemotherapy* (1995) vol. 1, Biology, Physiology, Physics, pp. 279-320.
- Palazzo et al., "Randomized clinical trial of LigaSure™ versus open haemorrhoidectomy" *British Journal of Surgery* 2002,89,154-157 "Innovations in Electrosurgery" Sales/Product Literature; Dec. 31, 2000.
- Paul G. Horgan, "A Novel Technique for Parenchymal Division During Hepatectomy" *The American Journal of Surgery*, vol. 181, No. 3, Oapril 2001, pp. 236-237.
- Peterson et al., "Comparison of Healing Process Following Ligation with Sutures and Bipolar Vessel Sealing" *Surgical Technology International* (2001).
- R. Gennari et al., (Jun. 2000) "Use of Technetium-99m-Labeled Colloid Albumin for Preoperative and Intraoperative Localization of Non palpable Breast Lesions," *American College of Surgeons*. 190(6):692-699.
- Valleylab Brochure, "Reducing Needlestick Injuries in the Operating Room" 1 page, Mar. 2001.
- Reidenbach, (1995) "First Experimental Results with Special Applicators for High-Frequency Interstitial Thermotherapy", *Society Minimally Invasive Therapy*, 4(Suppl 1):40 (Abstr).
- Richard Wolf Medical Instruments Corp. Brochure, "Kleppinger Bipolar Forceps & Bipolar Generator" 3 pages, Jan. 1989.
- Rothenberg et al., "Use of the LigaSure™ Vessel Sealing System in Minimally Invasive Surgery in Children" *Int'l Pediatric Endosurgery Group (I PEG)* 2000.
- S. Humphries Jr. et al., "Finite•Element Codes To Model Electrical Heating And Non•Linear Thermal Transport in Biological Media", *Proc. ASME HTD-355*, 131 (1997).
- Sayfan et al., "Sutureless Closed Hemorrhoidectomy: A New Technique" *Annals of Surgery*, vol. 234, No. 1, Jul. 2001, pp. 21-24.
- Sengupta et al., "Use of a Computer-Controlled Bipolar Diathermy System in Radical Prostatectomies and Other Open Urological Surgery" *ANZ Journal of Surgery* (2001) 71.9 pp. 538-540.
- Sigel et al., "The Mechanism of Blood Vessel Closure by High Frequency Electrocoagulation" *Surgery Gynecology & Obstetrics*, Oct. 1965 pp. 823-831.
- Solbiati et al., (2001) "Percutaneous Radio-frequency Ablation of Hepatic Metastases from Colorectal Cancer: Long-term Results in 117 Patients", *Radiology*, vol. 221, pp. 159-166.
- Strasberg et al., "Use of a Bipolar Vassel-Sealing Device for Parenchymal Transection During Liver Surgery" *Journal of Gastrointestinal Surgery*, vol. 6, No. 4, Jul./Aug. 2002 pp. 569-574.
- Stuart W. Young, *Nuclear Magnetic Resonance Imaging—Basic Principles*, Raven Press, New York, 1984.
- Sugita et al., "Bipolar Coagulator with Automatic Thermocontrol" *J. Neurosurg.*, vol. 41, Dec. 1944, pp. 777-779.
- Sylvain Labonte et al., "Monopole Antennas for Microwave Catheter Ablation", *IEEE Trans. on Microwave Theory and Techniques*, vol. 44, No. 10, pp. 1832-1840, Oct. 1995.
- T. Matsukawa et al., "Percutaneous Microwave Coagulation Therapy in Liver Tumors", *Acta Radiologica*, vol. 38, pp. 410-415, 1997.
- T. Seki et al., (1994) "Ultrasonically Guided Percutaneous Microwave Coagulation Therapy for Small Hepatocellular Carcinoma," *Cancer* 74(3):817-825.
- Urologix, Inc.-Medical Professionals: Targis™ Technology (Date Unknown). "Overcoming the Challenge" located at: <<http://www.urologix.com!medicaUtechnology.html>> last visited on Apr. 27, 2001, 3 pages.
- Urrutia et al., (1988). "Retractable-Barb Needle for Breast Lesion Localization: Use in 60 Cases," *Radiology* 169(3):845-847.
- Valleylab Brochure, "Valleylab Electroshield Monitoring System" 2 pages, Nov. 1995.
- ValleyLab Brochure, "Electosurgery: A Historical Overview", *Innovations in Electrosurgery*, 1999.
- Vallfors et al., "Automatically Controlled Bipolar Electrocoagulation-‘COA-COMP’" *Neurosurgical Review* 7:2-3 (1984) pp. 187-190.
- W. Scott Helton, "LigaSure™ Vessel Sealing System: Revolutionary Hemostasis Product for General Surgery" *Sales/Product Literature* 1999.
- Wald et al., "Accidental Burns", *JAMA*, Aug. 16, 1971, vol. 217, No. 7, pp. 916-921.
- Walt Boyles, "Instrumentation Reference Book", 2002, Butterworth-Heinemann, pp. 262-264.
- European Search Report EP 98300964.8 dated Dec. 13, 2000.
- European Search Report EP 98944778 dated Nov. 7, 2000.
- European Search Report EP 98958575.7 dated Oct. 29, 2002.
- European Search Report EP 03721482 dated Feb. 6, 2006.
- European Search Report EP 04009964 dated Jul. 28, 2004.
- European Search Report EP 04013772 dated Apr. 11, 2005.
- European Search Report EP 04015980 dated Nov. 3, 2004.
- European Search Report EP 04015981.6 dated Oct. 25, 2004.
- European Search Report EP 04027314 dated Mar. 31, 2005.
- European Search Report EP 04027479 dated Mar. 17, 2005.

European Search Report EP 04027705 dated Feb. 10, 2005.
European Search Report EP 04710258 dated Oct. 15, 2004.
European Search Report EP 04752343.6 dated Jul. 31, 2007.
European Search Report EP 04778192.7 dated Jul. 1, 2009.
European Search Report EP 05002027.0 dated May 12, 2005.
European Search Report EP 05002769.7 dated Jun. 19, 2006.
European Search Report EP 05013463.4 dated Oct. 7, 2005.
European Search Report EP 05013895 dated Oct. 21, 2005.
European Search Report EP 05014156.3 dated Jan. 4, 2006.
European Search Report EP 05016399 dated Jan. 13, 2006.
European Search Report EP 05017281 dated Nov. 24, 2005.
European Search Report EP 05019130.3 dated Oct. 27, 2005.
European Search Report EP 05019882 dated Feb. 16, 2006.
European Search Report EP 05020665.5 dated Feb. 27, 2006.
European Search Report EP 05020666.3 dated Feb. 27, 2006.
European Search Report EP 05021025.1 dated Mar. 13, 2006.
European Search Report EP 05021197.8 dated Feb. 20, 2006.
European Search Report EP 05021777 dated Feb. 23, 2006.
European Search Report EP 05021779.3 dated Feb. 2, 2006.
European Search Report EP 05021780.1 dated Feb. 23, 2006.
European Search Report EP 05021935 dated Jan. 27, 2006.
European Search Report EP 05021936.9 dated Feb. 6, 2006.
European Search Report EP 05021937.7 dated Jan. 23, 2006.
European Search Report EP 05021939 dated Jan. 27, 2006.
European Search Report EP 05021944.3 dated Jan. 25, 2006.
European Search Report EP 05022350.2 dated Jan. 30, 2006.
European Search Report EP 05023017.6 dated Feb. 24, 2006.
European Search Report EP 05025423.4 dated Jan. 19, 2007.
European Search Report EP 05025424 dated Jan. 30, 2007.
European Search Report EP 05810523 dated Jan. 29, 2009.
European Search Report EP 06000708.5 dated May 15, 2006.
European Search Report EP 06002279.5 dated Mar. 30, 2006.
European Search Report EP 06005185.1 dated May 10, 2006.
European Search Report EP 06005540 dated Sep. 24, 2007.
European Search Report EP 06006717.0 dated Aug. 11, 2006.
European Search Report EP 06006961 dated Oct. 22, 2007.
European Search Report EP 06006963 dated Jul. 25, 2006.
European Search Report EP 06008779.8 dated Jul. 13, 2006.
European Search Report EP 06009435 dated Jul. 13, 2006.
European Search Report EP 06010499.9 dated Jan. 29, 2008.
European Search Report EP 06014461.5 dated Oct. 31, 2006.
European Search Report EP 06018206.0 dated Oct. 20, 2006.
European Search Report EP 06019768 dated Jan. 17, 2007.
European Search Report EP 06020574.7 dated Oct. 2, 2007.
European Search Report EP 06020583.8 dated Feb. 7, 2007.
European Search Report EP 06020584.6 dated Feb. 1, 2007.
European Search Report EP 06020756.0 dated Feb. 16, 2007.
European Search Report EP 06022028.2 dated Feb. 13, 2007.
European Search Report EP 06023756.7 dated Feb. 21, 2008.
European Search Report EP 06024122.1 dated Apr. 16, 2007.
European Search Report EP 06024123.9 dated Mar. 6, 2007.
European Search Report EP 06025700.3 dated Apr. 12, 2007.
European Search Report EP 07000885.9 dated May 15, 2007.
European Search Report EP 07001480.8 dated Apr. 19, 2007.
European Search Report EP 07001481.6 dated May 2, 2007.
European Search Report EP 07001485.7 dated May 23, 2007.
European Search Report EP 07001488.1 dated Jun. 5, 2007.
European Search Report EP 07001489.9 dated Dec. 20, 2007.

European Search Report EP 07001491 dated Jun. 6, 2007.
European Search Report EP 07007783.9 dated Aug. 14, 2007.
European Search Report EP 07001527.6 dated May 18, 2007.
European Search Report EP 07008207.8 dated Sep. 13, 2007.
European Search Report EP 07009026.1 dated Oct. 8, 2007.
European Search Report EP 07009028 dated Jul. 16, 2007.
European Search Report EP 07009029.5 dated Jul. 20, 2007.
European Search Report EP 07009321.6 dated Aug. 28, 2007.
European Search Report EP 07009322.4 dated Jan. 14, 2008.
European Search Report EP 07010672.9 dated Oct. 16, 2007.
European Search Report EP 07010673.7 dated Oct. 5, 2007.
European Search Report EP 07013779.9 dated Oct. 26, 2007.
European Search Report EP 07015191.5 dated Jan. 23, 2007.
European Search Report EP 07015601.3 dated Jan. 4, 2007.
European Search Report EP 07015602.1 dated Dec. 20, 2007.
European Search Report EP 07018375.1 dated Jan. 8, 2008.
European Search Report EP 07018821 dated Jan. 14, 2008.
European Search Report EP 07019173.9 dated Feb. 12, 2008.
European Search Report EP 07019174.7 dated Jan. 29, 2008.
European Search Report EP 07019178.8 dated Feb. 12, 2008.
European Search Report EP 07020283.3 dated Feb. 5, 2008.
European Search Report EP 07253835.8 dated Dec. 20, 2007.
European Search Report EP 08001019 dated Sep. 23, 2008.
European Search Report EP 08004975 dated Jul. 24, 2008.
European Search Report EP 08006731.7 dated Jul. 29, 2008.
European Search Report EP 08006733 dated Jul. 7, 2008.
European Search Report EP 08006734.1 dated Aug. 18, 2008.
European Search Report EP 08006735.8 dated Jan. 8, 2009.
European Search Report EP 08011282 dated Aug. 14, 2009.
European Search Report EP 08011705 dated Aug. 20, 2009.
European Search Report EP 08012829.1 dated Oct. 29, 2008.
European Search Report EP 08015842 dated Dec. 5, 2008.
European Search Report EP 08019920.1 dated Mar. 27, 2009.
European Search Report EP 08169973.8 dated Apr. 6, 2009.
European Search Report EP 09156861.8 dated Aug. 4, 2009.
European Search Report EP 09161502.1 dated Sep. 2, 2009.
European Search Report EP 09166708 dated Oct. 15, 2009.
International Search Report PCT/US98/18640 dated Jan. 29, 1998.
International Search Report PCT/US98/23950 dated Jan. 14, 1998.
International Search Report PCT/US99/24869 dated Feb. 11, 2000.
International Search Report PCT/US01/11218 dated Aug. 14, 2001.
International Search Report PCT/US01/11224 dated Nov. 13, 2001.
International Search Report PCT/US01/11340 dated Aug. 16, 2001.
International Search Report PCT/US01/11420 dated Oct. 16, 2001.
International Search Report PCT/US02/01890 dated Jul. 25, 2002.
International Search Report PCT/US02/11100 dated Jul. 16, 2002.
International Search Report PCT/US03/09483 dated Aug. 13, 2003.
International Search Report PCT/US03/22900 dated Dec. 2, 2003.
International Search Report PCT/US03/37110 dated Jul. 25, 2005.
International Search Report PCT/US03/37111 dated Jul. 28, 2004.
International Search Report PCT/US03/37310 dated Aug. 13, 2004.
International Search Report PCT/US04/04685 dated Aug. 27, 2004.
International Search Report PCT/US04/13273 dated Dec. 15, 2004.
International Search Report PCT/US04/15311 dated Jan. 12, 2004.
International Search Report PCT/US05/36168 dated Aug. 28, 2006.
International Search Report PCT/US08/052460 dated Apr. 24, 2008.
International Search Report PCT/US09/31658 dated Mar. 11, 2009.

* cited by examiner

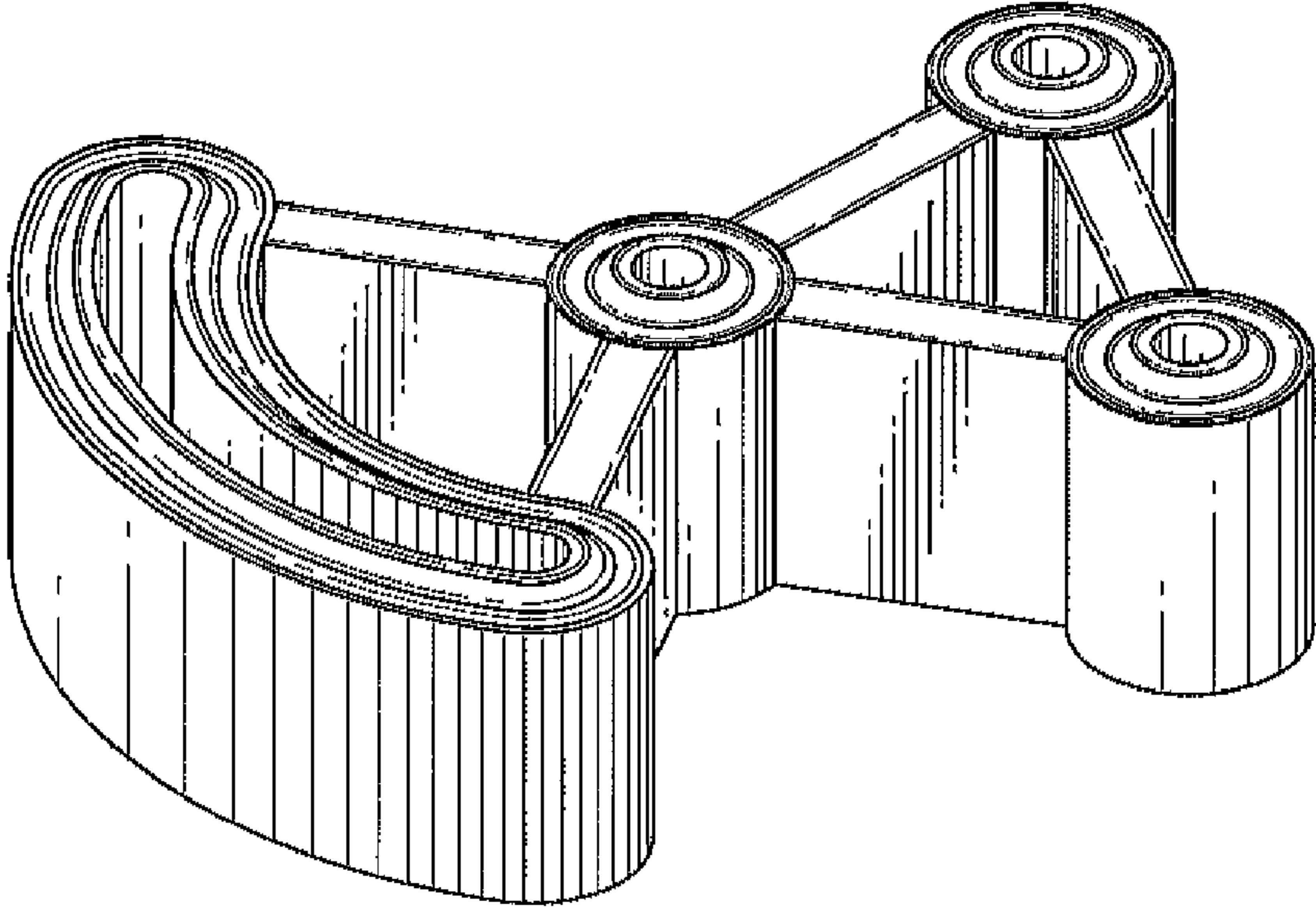


FIG. 1

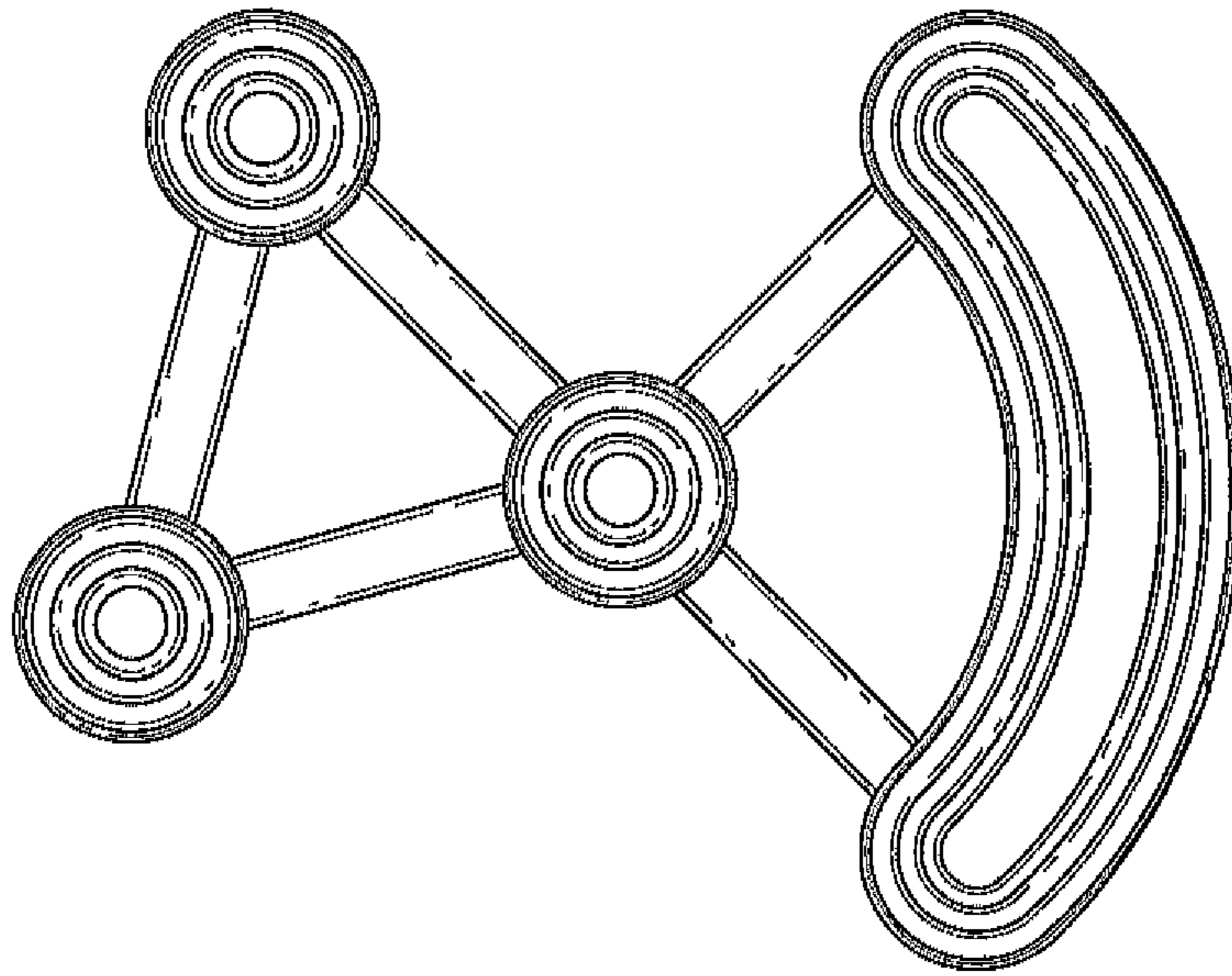


FIG. 2

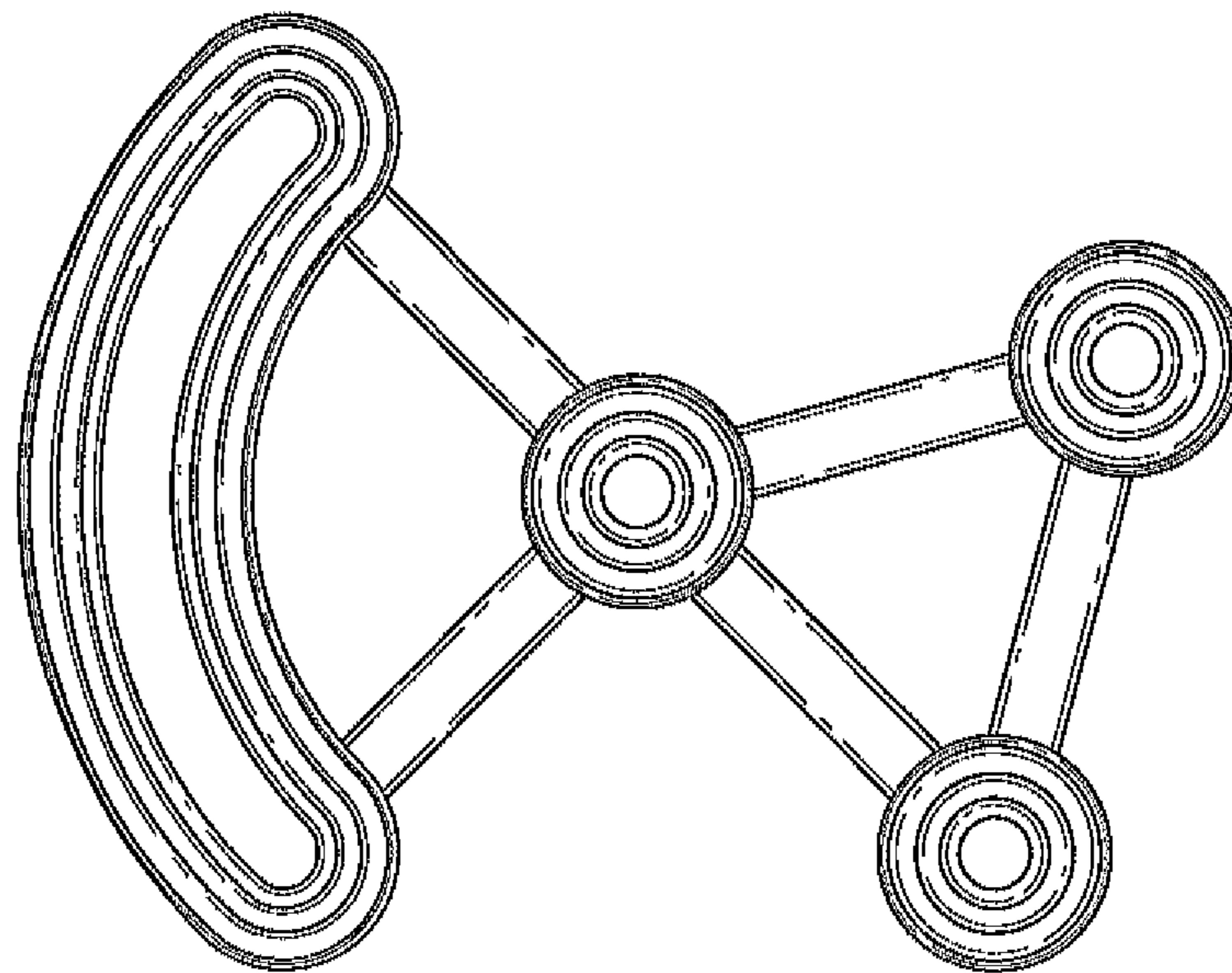


FIG. 3

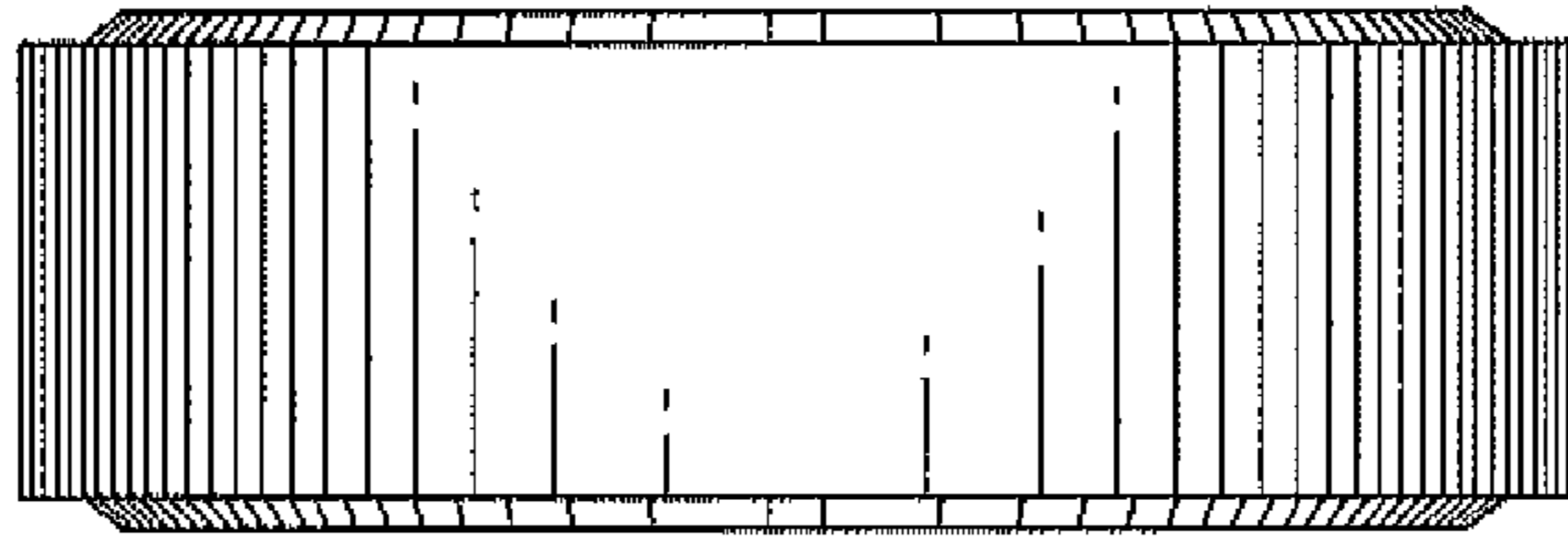


FIG. 4

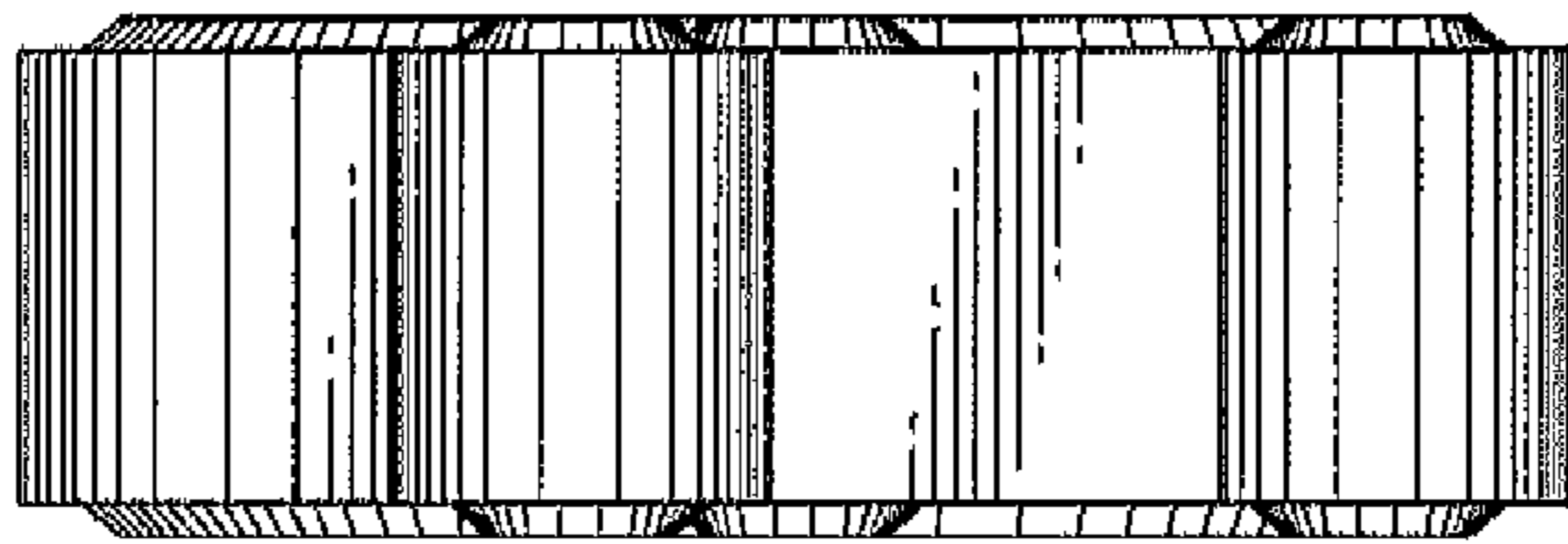


FIG. 5

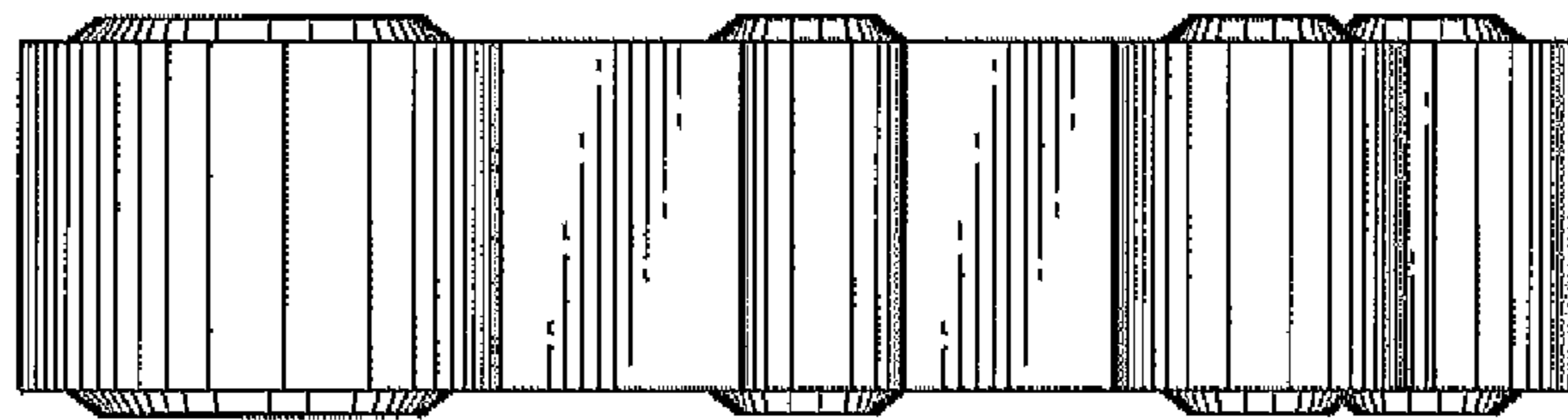


FIG. 6

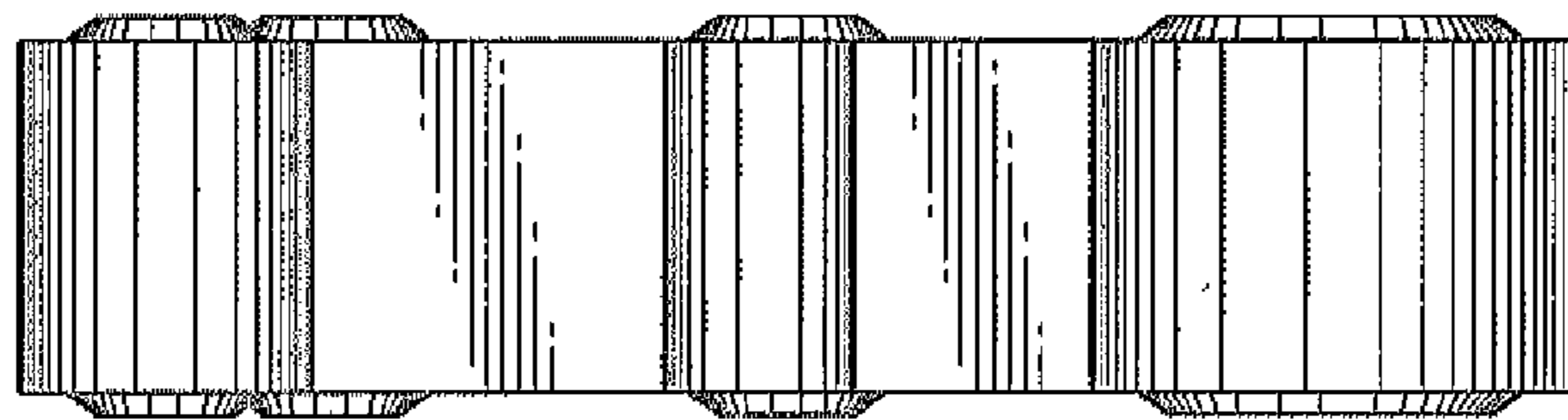


FIG. 7

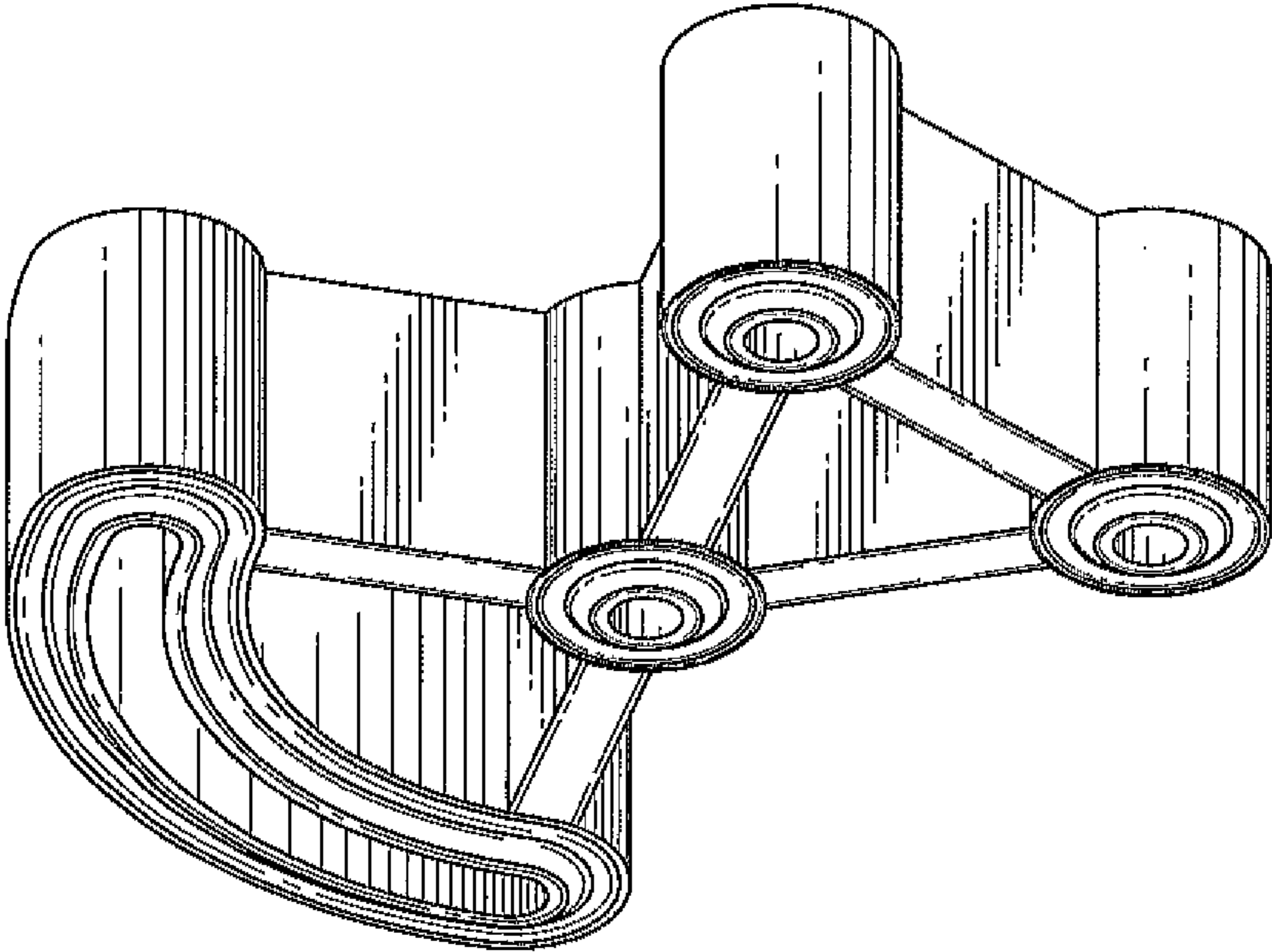


FIG. 8