



US00D673684S

(12) **United States Design Patent**
Piermarini

(10) **Patent No.:** **US D673,684 S**
(45) **Date of Patent:** **** Jan. 1, 2013**

- (54) **INFLATABLE LEG REST**
- (76) Inventor: **David Piermarini**, Pleasanton, CA (US)
- (**) Term: **14 Years**
- (21) Appl. No.: **29/418,921**
- (22) Filed: **Apr. 23, 2012**
- (51) **LOC (9) Cl.** **24-01**
- (52) **U.S. Cl.** **D24/183**
- (58) **Field of Classification Search** D24/183-184,
D24/213, 215, 200, 212, 190, 191; D6/502,
D6/595, 596, 601, 604; 128/845, 869, 882,
128/891; 5/636-640, 644, 630, 632, 648,
5/650; 297/452.41; D21/686; 601/27
See application file for complete search history.

D655,418 S * 3/2012 Hancock D24/183
D663,426 S * 7/2012 Davis, III D24/183
2004/0215122 A1* 10/2004 Hansen 602/23

* cited by examiner

Primary Examiner — T. Chase Nelson

Assistant Examiner — Mark Cavanna

(74) *Attorney, Agent, or Firm* — LaRiviere, Grubman & Payne, LLP

(57) **CLAIM**

The ornamental design for an inflatable leg rest, as shown and described.

DESCRIPTION

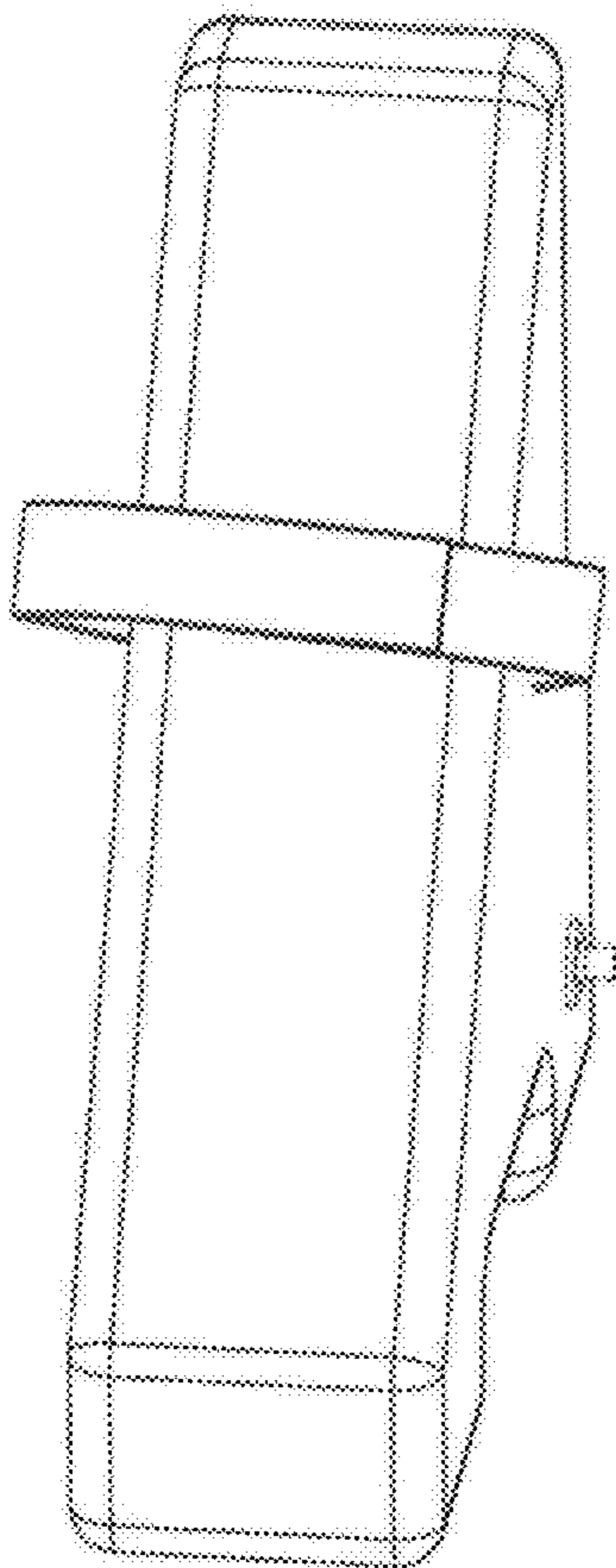
FIG. 1 is a front perspective view of an inflatable leg rest, showing our new design;
FIG. 2 is a front view thereof;
FIG. 3 is a rear view thereof;
FIG. 4 is a side view thereof;
FIG. 5 is an opposing side view thereof;
FIG. 6 is a top view thereof; and,
FIG. 7 is a bottom view thereof.
The broken lines are included for the purpose of illustrating environmental portions of the inflatable leg rest that form no part of the claimed design.

(56) **References Cited**

U.S. PATENT DOCUMENTS

D296,932	S	*	7/1988	Tranghese	D24/183
D311,470	S	*	10/1990	Cosgrove et al.	D6/601
5,046,487	A	*	9/1991	Scott	601/27
5,097,553	A	*	3/1992	Boland	5/648
5,125,123	A	*	6/1992	Engle	5/648
D345,797	S	*	4/1994	Gardner	D24/183
D521,301	S	*	5/2006	Dickson	D6/601
D625,421	S	*	10/2010	Sharps et al.	D24/184
D642,694	S	*	8/2011	Sharps et al.	D24/190

1 Claim, 5 Drawing Sheets



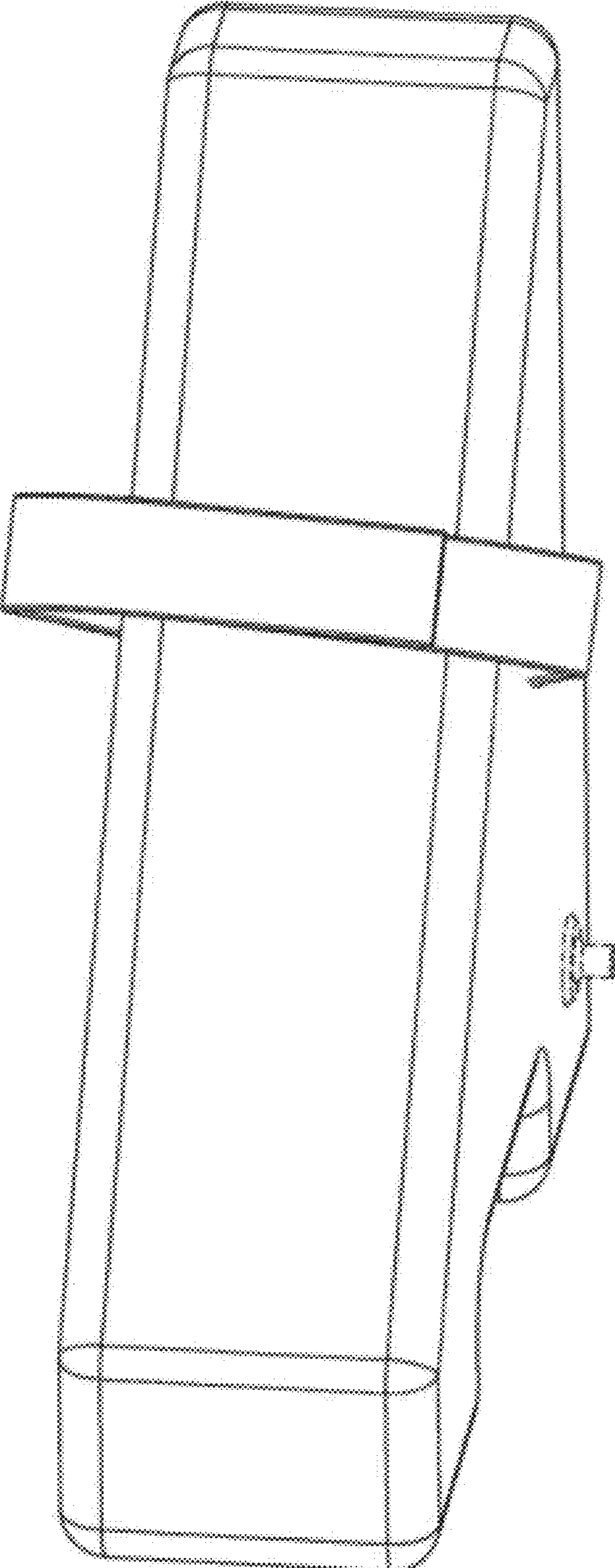


Figure 1

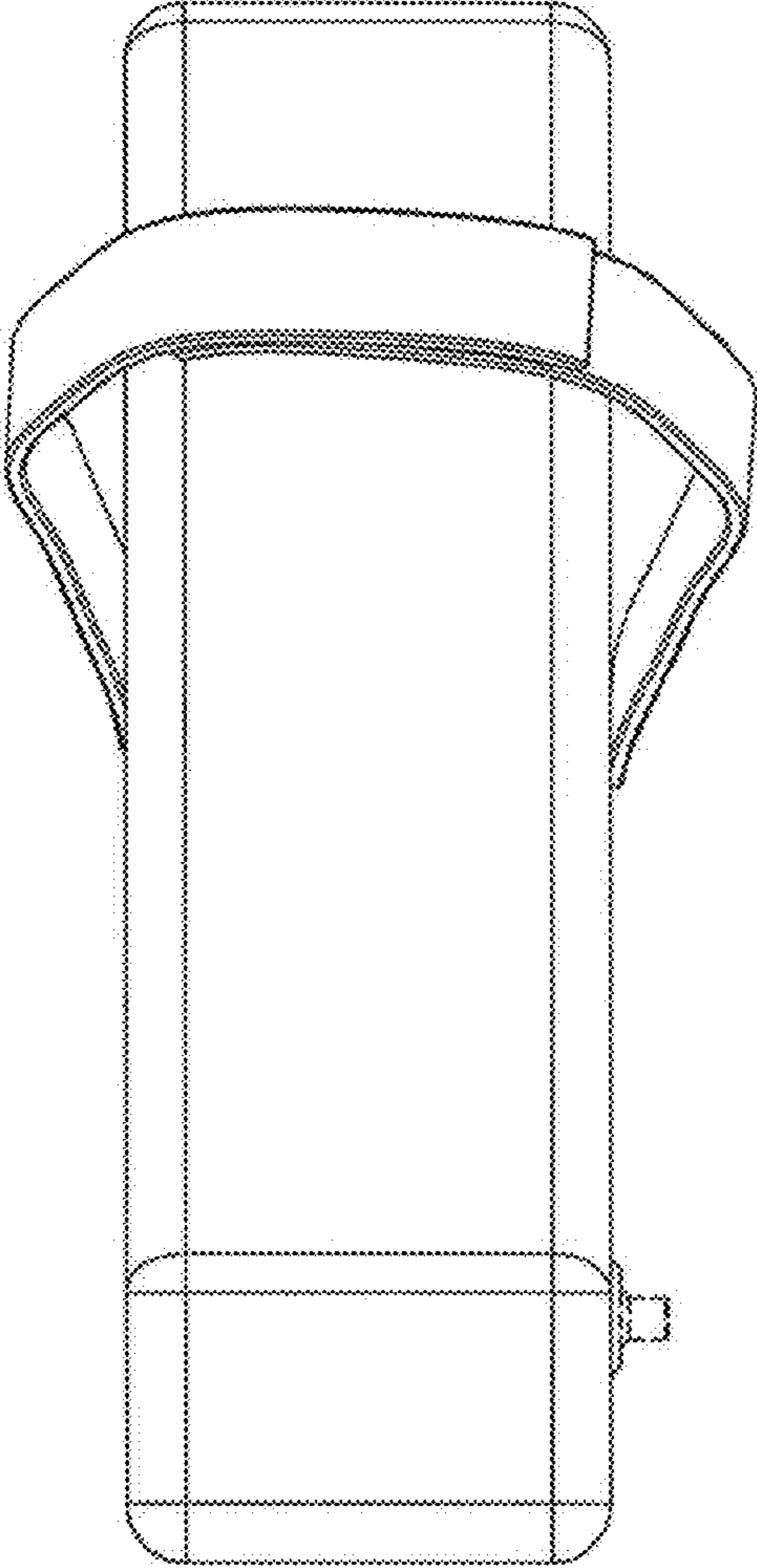


Figure 2

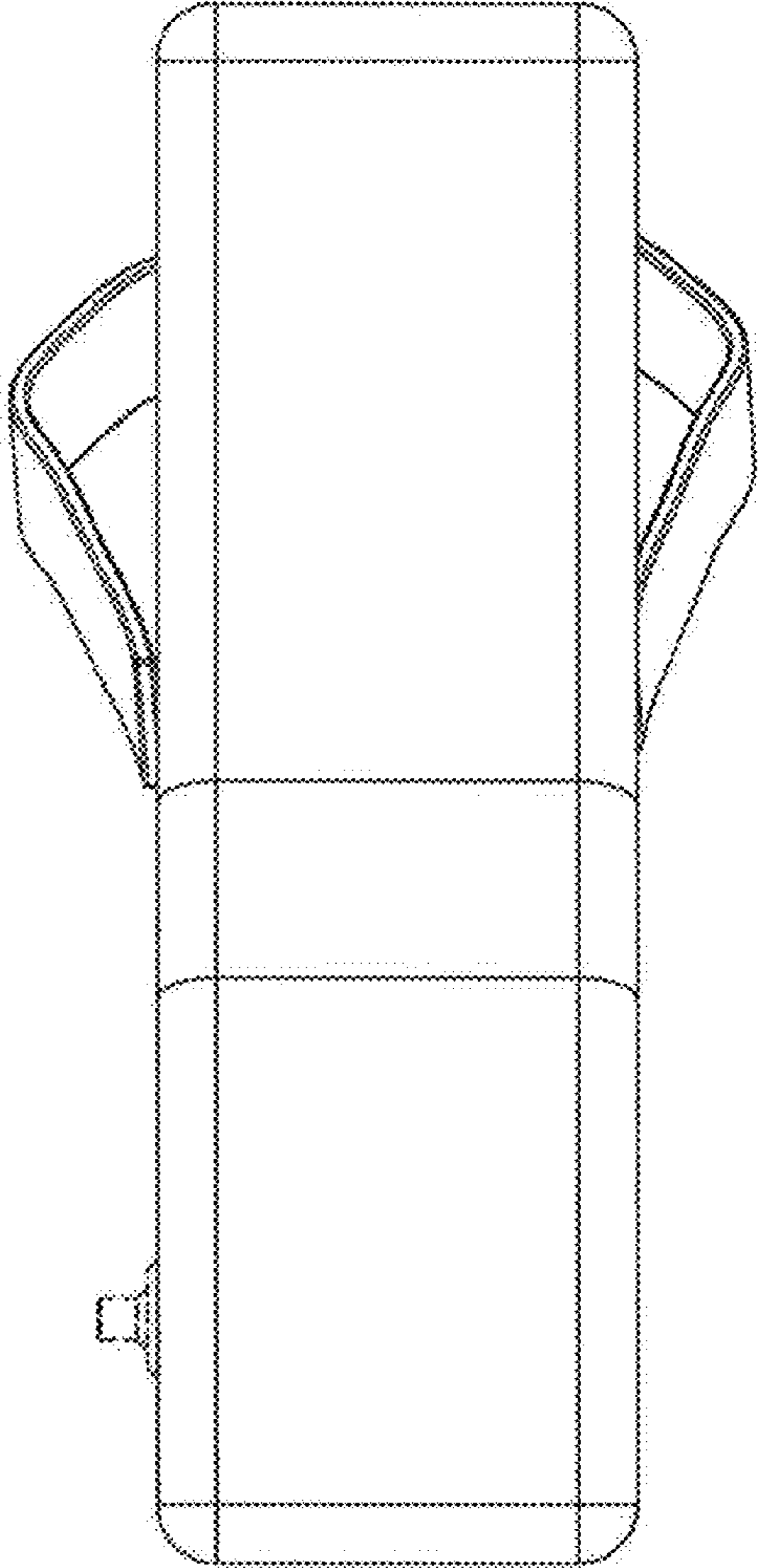


Figure 3

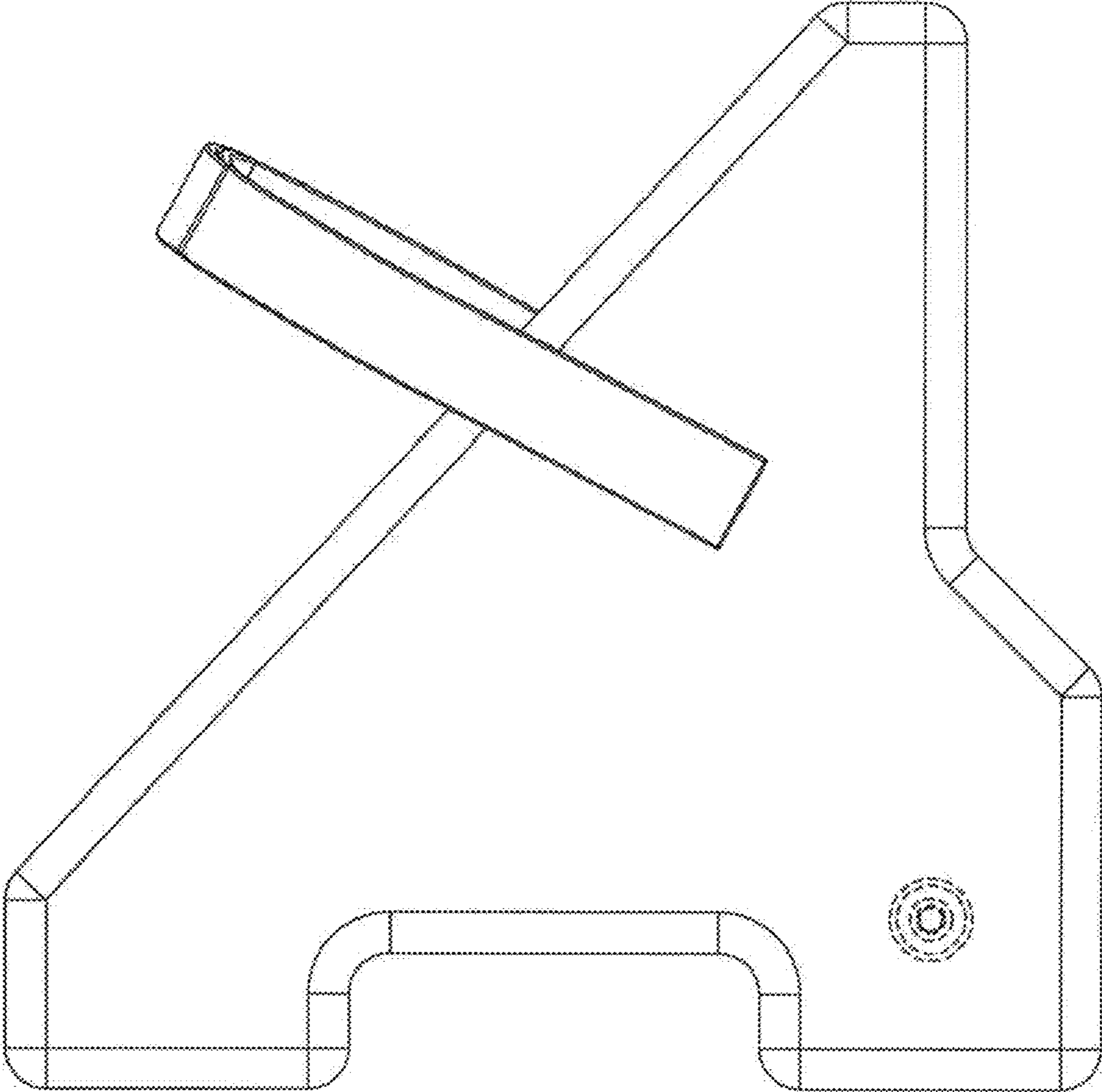


Figure 4

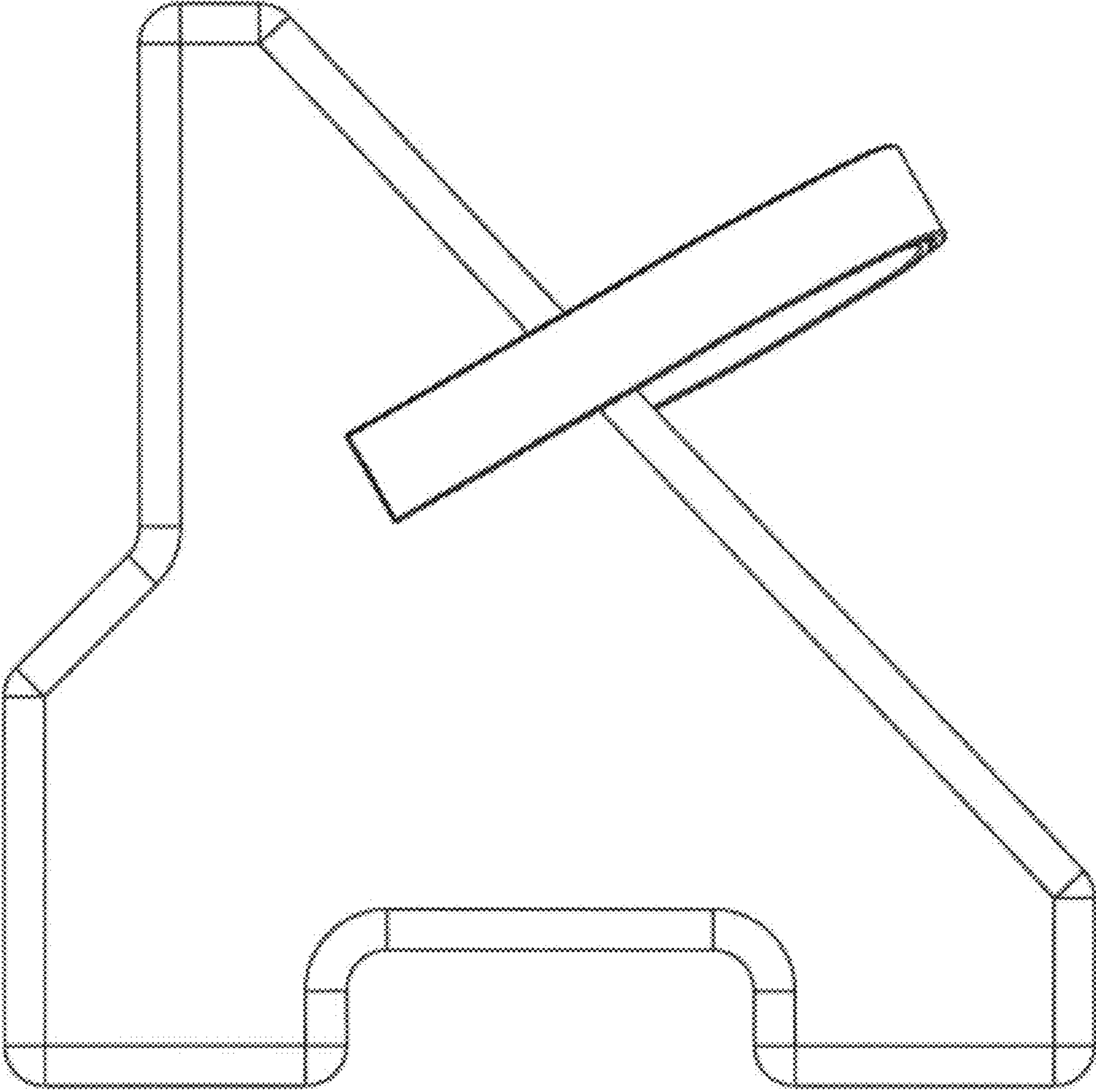


Figure 5

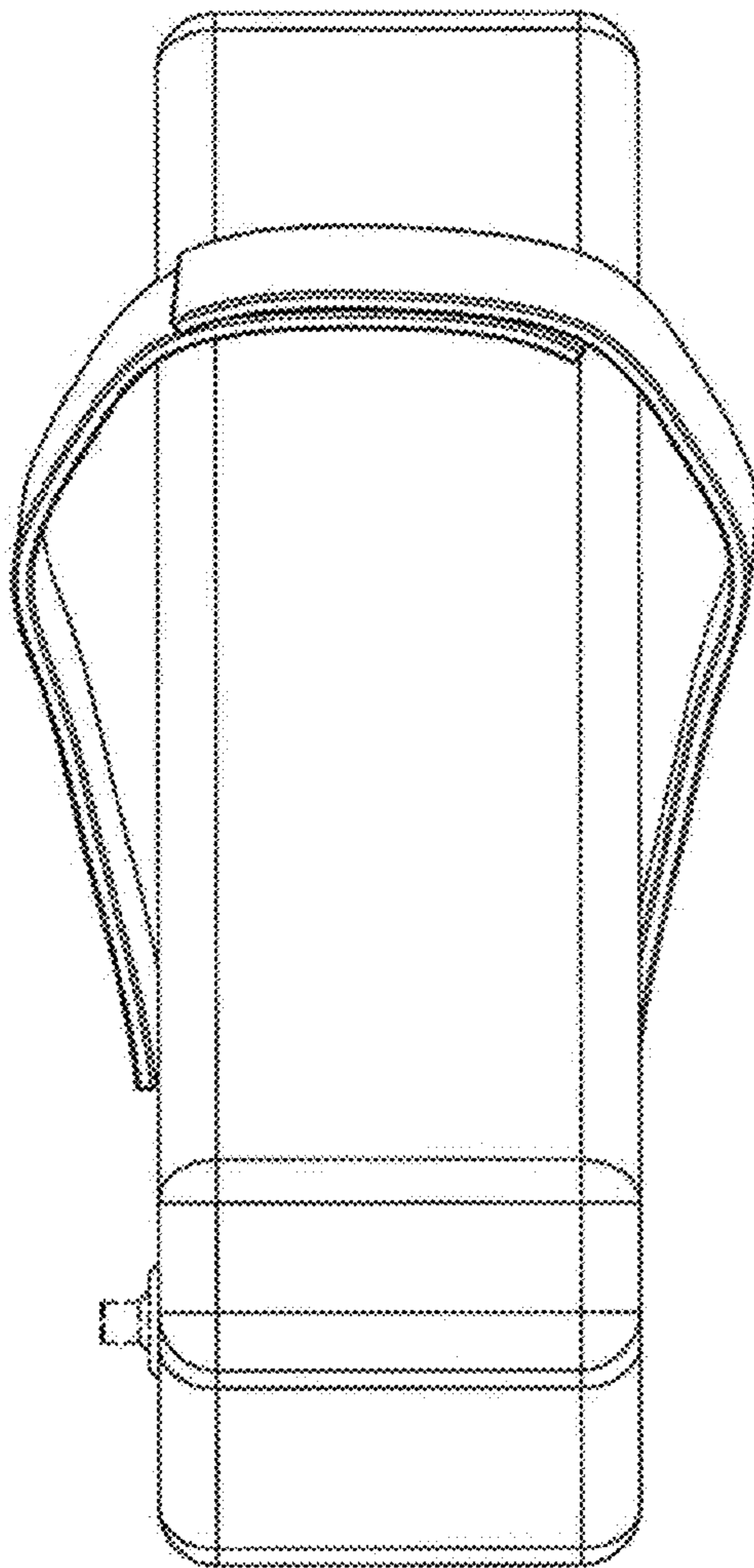


Figure 6

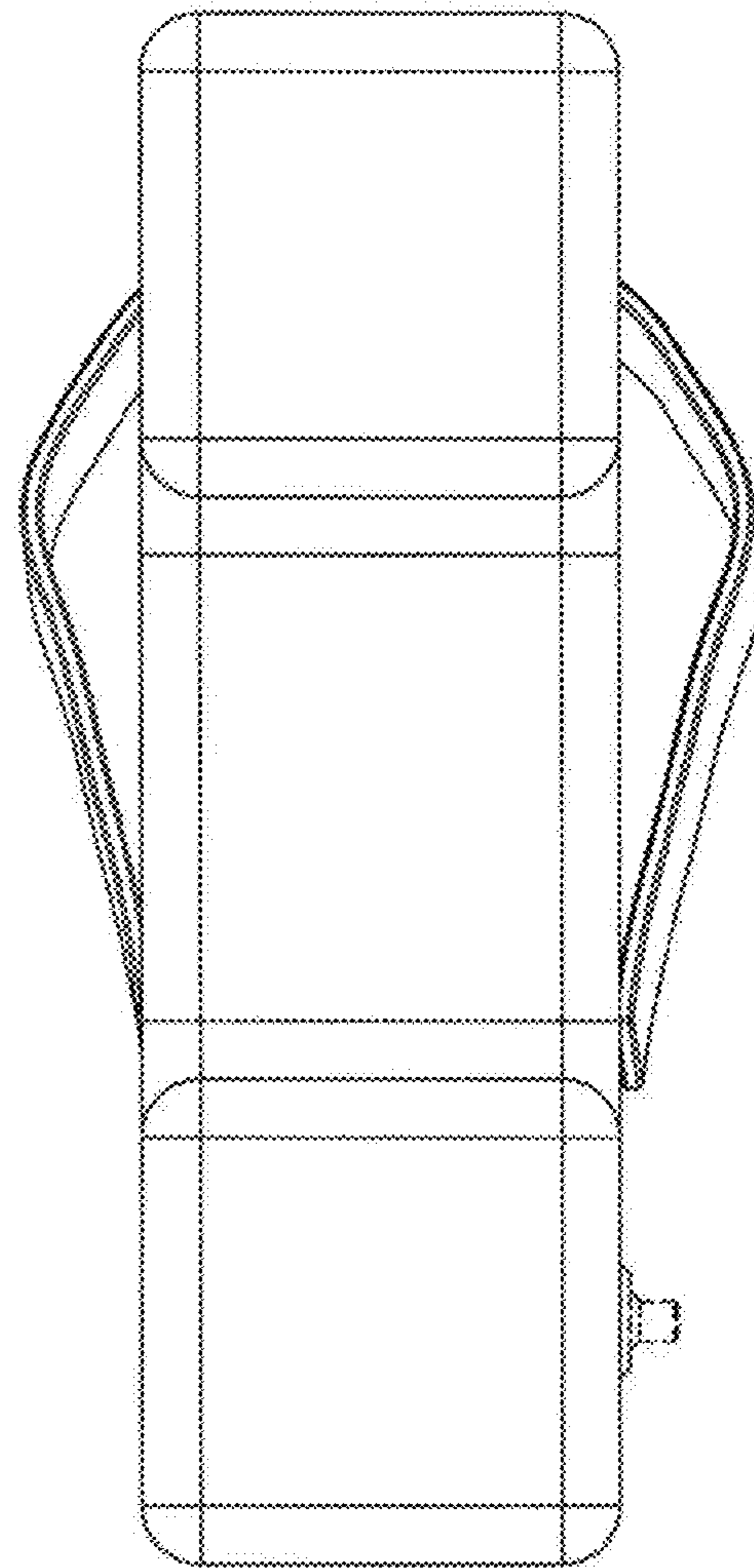


Figure 7