



US00D673683S

(12) **United States Design Patent**
McCormack et al.

(10) **Patent No.:** **US D673,683 S**
(45) **Date of Patent:** **** Jan. 1, 2013**

(54) **MEDICAL DEVICE**

(75) Inventors: **Bruce M. McCormack**, San Francisco, CA (US); **Edward Fletcher Eyster**, Helena, CA (US); **Jeffrey D. Smith**, Clayton, CA (US); **Edward Liou**, Mountain View, CA (US); **Jonathan Carver**, Sausalito, CA (US); **Peter How**, Sunnyvale, CA (US); **Joshua Druker**, Redwood City, CA (US); **Martin Leugers**, San Francisco, CA (US); **Shigeru Tanaka**, Half Moon Bay, CA (US)

(73) Assignee: **Thayer Intellectual Property, Inc.**, San Francisco, CA (US)

(**) Term: **14 Years**

(21) Appl. No.: **29/369,905**

(22) Filed: **Sep. 15, 2010**

(51) **LOC (9) Cl.** **24-02**

(52) **U.S. Cl.** **D24/171; D24/133**

(58) **Field of Classification Search** **D24/171, D24/133, 146, 147, 155, 188; D8/80, 83, D8/94, 97, 107, 303; 606/53, 79, 80, 167, 606/170, 114; 604/533**

See application file for complete search history.

(56) **References Cited**

U.S. PATENT DOCUMENTS

173,777 A 2/1876 Dugan et al.
(Continued)

OTHER PUBLICATIONS

Restriction Requirement, U.S. Appl. No. 12/852,348, dated Aug. 30, 2011, 10 pages.

(Continued)

Primary Examiner — Anhdao Doan

(74) *Attorney, Agent, or Firm* — Polsinelli Shughart PC

(57) **CLAIM**

The ornamental design for a medical device, as shown and described.

DESCRIPTION

FIG. 1 is a front perspective view of a medical device including a first handle and a second handle, wherein the second handle is shown as engaged with the first handle; FIG. 2 is a rear perspective view of the medical device of FIG. 1;

FIG. 3 is a left side view of the medical device of FIG. 1;

FIG. 4 is a right side view of the medical device of FIG. 1;

FIG. 5 is a rear view of the medical device of FIG. 1;

FIG. 6 is a front view of the medical device of FIG. 1;

FIG. 7 is a top view of the medical device of FIG. 1;

FIG. 8 is a bottom view of the medical device of FIG. 1;

FIG. 9 is a front perspective view of the medical device of FIG. 1, wherein the second handle is shown as disengaged from the first handle;

FIG. 10 is a rear perspective view of the medical device of FIG. 1, wherein the second handle is shown as disengaged from the first handle;

FIG. 11 is a left side view of the first handle of the medical device of FIG. 1;

FIG. 12 is a right side view of the first handle of the medical device of FIG. 1;

FIG. 13 is a rear view of the first handle of the medical device of FIG. 1;

FIG. 14 is a front view of the first handle of the medical device of FIG. 1;

FIG. 15 is a top view of the first handle of the medical device of FIG. 1;

FIG. 16 is a bottom view of the first handle of the medical device of FIG. 1;

FIG. 17 is a left side view of the second handle of the medical device of FIG. 1;

FIG. 18 is a right side view of the second handle of the medical device of FIG. 1;

FIG. 19 is a rear view of the second handle of the medical device of FIG. 1;

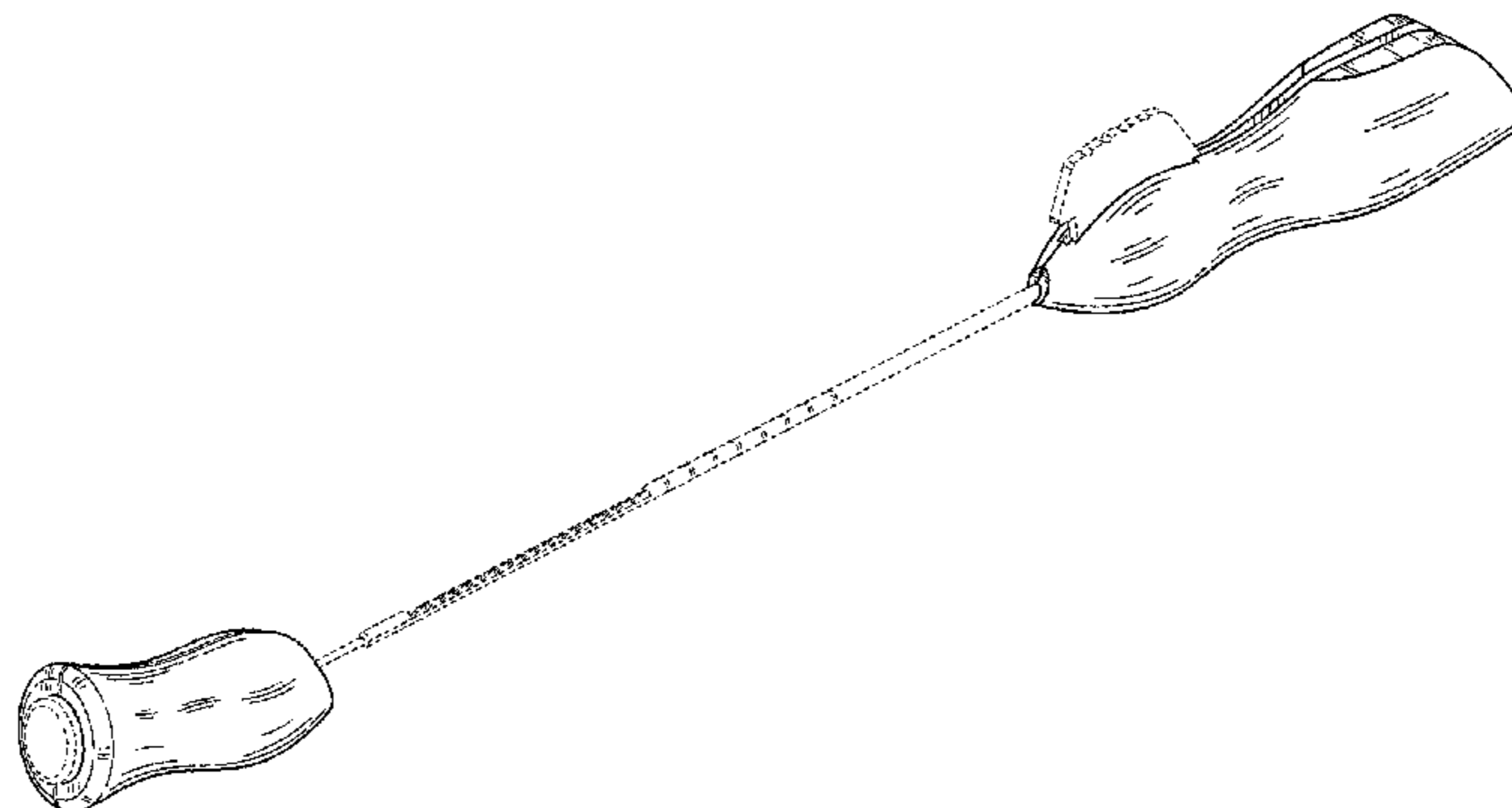
FIG. 20 is a front view of the second handle of the medical device of FIG. 1;

FIG. 21 is a top view of the second handle of the medical device of FIG. 1; and,

FIG. 22 is a bottom view of the second handle of the medical device of FIG. 1.

The broken lines in the drawing views are included for the purpose of illustrating portions of the medical device that form no part of the claimed design.

1 Claim, 13 Drawing Sheets



U.S. PATENT DOCUMENTS

184,804	A	11/1876	Stohlmann	2008/0103504	A1	5/2008	Schmitz et al.
2,342,695	A	2/1944	Rinaldy	2008/0147084	A1	6/2008	Bleich et al.
3,765,420	A	10/1973	Felczak	2008/0161809	A1	7/2008	Schmitz et al.
3,835,859	A	9/1974	Roberts et al.	2008/0183068	A1	7/2008	Carls et al.
4,041,941	A	8/1977	Driver	2008/0255624	A1	10/2008	Arcenio et al.
5,029,573	A	7/1991	Chow	2008/0275458	A1	11/2008	Bleich et al.
5,122,137	A	6/1992	Lennox	2008/0312660	A1	12/2008	Bleich et al.
5,215,100	A	6/1993	Spitz et al.	2009/0018507	A1	1/2009	Schmitz et al.
5,554,163	A	9/1996	Shturman	2009/0048620	A1	2/2009	Weiss et al.
5,617,634	A	4/1997	Moesmann	2009/0062802	A1	3/2009	Palmer et al.
5,730,749	A	3/1998	Battenfield	2009/0082773	A1	3/2009	Haines
5,928,158	A	7/1999	Aristides	2009/0149865	A1	6/2009	Schmitz et al.
6,019,774	A	2/2000	Weiss et al.	2009/0171381	A1	7/2009	Schmitz et al.
6,096,022	A	8/2000	Laymon et al.	2009/0177241	A1	7/2009	Bleich et al.
6,440,138	B1	8/2002	Reiley et al.	2009/0204119	A1	8/2009	Bleich et al.
6,494,882	B1	12/2002	Lebouitz et al.	2010/0004654	A1	1/2010	Schmitz et al.
6,685,717	B1	2/2004	Ilic	2010/0010334	A1	1/2010	Bleich et al.
6,863,672	B2	3/2005	Reiley et al.	2010/0094231	A1	4/2010	Bleich et al.
6,887,271	B2	5/2005	Justin et al.	2010/0161060	A1	6/2010	Schaller et al.
6,986,781	B2	1/2006	Smith	2010/0274250	A1	10/2010	Wallace et al.
7,058,438	B2	6/2006	Grace et al.	2010/0331883	A1	12/2010	Schmitz et al.
7,090,690	B2	8/2006	Foerster et al.	2011/0004207	A1	1/2011	Wallace et al.
7,189,240	B1	3/2007	Dekel	2011/0046613	A1	2/2011	Schmitz et al.
D546,448	S	7/2007	Oi	2011/0060314	A1	3/2011	Wallace et al.
7,322,978	B2	1/2008	West, Jr.	2011/0112539	A1	5/2011	Wallace et al.
D573,867	S	7/2008	Laurino et al.	2011/0160731	A1	6/2011	Bleich et al.
D585,987	S	2/2009	Aparici et al.	2011/0160772	A1	6/2011	Arcenio et al.
7,553,307	B2	6/2009	Bleich et al.	2011/0190772	A1	8/2011	Saadat et al.
7,555,343	B2	6/2009	Bleich	2011/0196257	A1	8/2011	Schmitz et al.
7,578,819	B2	8/2009	Bleich et al.	2011/0224709	A1	9/2011	Bleich
7,738,968	B2	6/2010	Bleich	2011/0224710	A1	9/2011	Bleich
7,738,969	B2	6/2010	Bleich	2012/0016368	A1	1/2012	Bleich et al.
7,740,631	B2	6/2010	Bleich et al.	2012/0065639	A1	3/2012	Schmitz et al.
7,785,332	B2	8/2010	Zannis et al.	2012/0078253	A9	3/2012	Bleich et al.
7,846,165	B2	12/2010	Aram et al.				
7,857,813	B2	12/2010	Schmitz et al.				
7,879,038	B2	2/2011	Reiley et al.				
7,887,538	B2	2/2011	Bleich et al.				
7,918,849	B2	4/2011	Bleich et al.				
7,938,830	B2	5/2011	Saadat et al.				
7,959,577	B2	6/2011	Schmitz et al.				
7,963,915	B2	6/2011	Bleich				
D641,870	S	7/2011	Anglay et al.				
8,048,080	B2	11/2011	Bleich et al.				
8,062,298	B2	11/2011	Schmitz et al.				
8,062,300	B2	11/2011	Schmitz et al.				
8,092,456	B2	1/2012	Bleich et al.				
D666,725	S	9/2012	McCormack et al.				
8,273,098	B2	9/2012	Strickland				
2003/0225412	A1	12/2003	Shiraishi				
2004/0267243	A1	12/2004	Kotz et al.				
2005/0192564	A1	9/2005	Cosman et al.				
2006/0030854	A1	2/2006	Haines				
2006/0095028	A1	5/2006	Bleich				
2006/0095059	A1	5/2006	Bleich et al.				
2006/0100630	A1	5/2006	West, Jr.				
2006/0122458	A1	6/2006	Bleich				
2006/0276782	A1	12/2006	Gedebou				
2007/0055262	A1	3/2007	Tomita et al.				
2007/0198020	A1	8/2007	Reiley et al.				
2007/0213733	A1	9/2007	Bleich et al.				
2007/0213734	A1	9/2007	Bleich et al.				
2007/0225703	A1	9/2007	Schmitz et al.				
2007/0225740	A1	9/2007	Suddaby				
2007/0250057	A1	10/2007	Nobis et al.				
2007/0260252	A1	11/2007	Schmitz et al.				
2007/0270865	A1	11/2007	Arnin et al.				
2007/0288043	A1	12/2007	Rehnke				
2008/0033465	A1	2/2008	Schmitz et al.				
2008/0051812	A1	2/2008	Schmitz et al.				
2008/0086034	A1	4/2008	Schmitz et al.				
2008/0086114	A1	4/2008	Schmitz et al.				
2008/0086125	A1	4/2008	Molz et al.				
2008/0091227	A1	4/2008	Schmitz et al.				

OTHER PUBLICATIONS

Response to Restriction, U.S. Appl. No. 12/852,348, filed Sep. 23, 2011, 8 pages.

Non-Final Office Action, U.S. Appl. No. 12/852,348, dated Oct. 28, 2011, 20 pages.

International Search Report and Written Opinion, PCT/US2010/044784, dated Apr. 21, 2011, 9 pages.

U.S. Appl. No. 13/170,112, filed Jun. 27, 2011, McCormack.

Final Office Action, U.S. Appl. No. 12/852,348, dated Mar. 16, 2012, 22 pages.

International Search Report and Written Opinion, PCT/US2011/043556, dated Feb. 23, 2012, 10 pages.

Non-Final Office Action, U.S. Appl. No. 29/369,901, mailed Apr. 24, 2012, 19 pages.

Non-Final Office Action, U.S. Appl. No. 13/170,112, mailed Jul. 5, 2012, 24 pages.

Notice of Allowance, U.S. Appl. No. 29/369,897, mailed Apr. 25, 2012, 17 pages.

Response to Final Office Action, U.S. Appl. No. 12/852,348, filed Jun. 15, 2012, 19 pages.

Response to Non-Final Office Action, U.S. Appl. No. 12/852,348, dated Feb. 24, 2012, 17 pages.

Response to Restriction, U.S. Appl. No. 13/170,112, filed Jun. 8, 2012, 8 pages.

Restriction Requirement, U.S. Appl. No. 13/170,112, mailed May 11, 2012, 9 pages.

U.S. Appl. No. 13/475,745, filed May 18, 2012, McCormack et al.

Notice of Allowance, U.S. Appl. No. 29/369,901, mailed Aug. 24, 2012, 8 pages.

Notice of Allowance, U.S. Appl. No. 12/852,348, mailed Sep. 20, 2012, 14 pages.

Notice of Non-Compliant Amendment, U.S. Appl. No. 13/170,112, mailed Oct. 11, 2012, 2 pages.

Response to Non-Final Office Action, U.S. Appl. No. 13/170,112, filed Oct. 5, 2012, 17 pages.

Response to Notice of Non-Compliant Amendment, U.S. Appl. No. 13/170,112, filed Oct. 25, 2012, 8 pages.

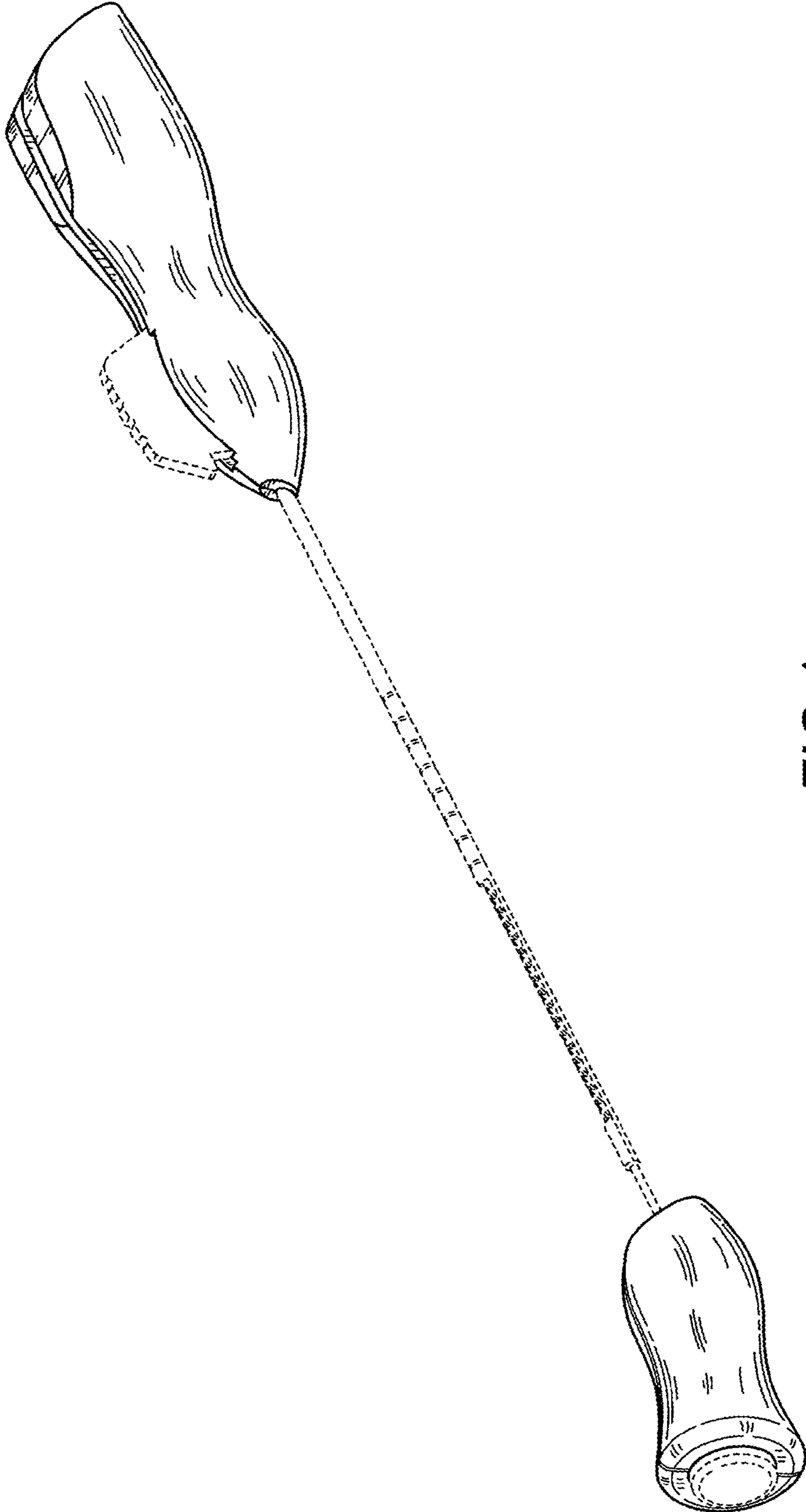


FIG.1

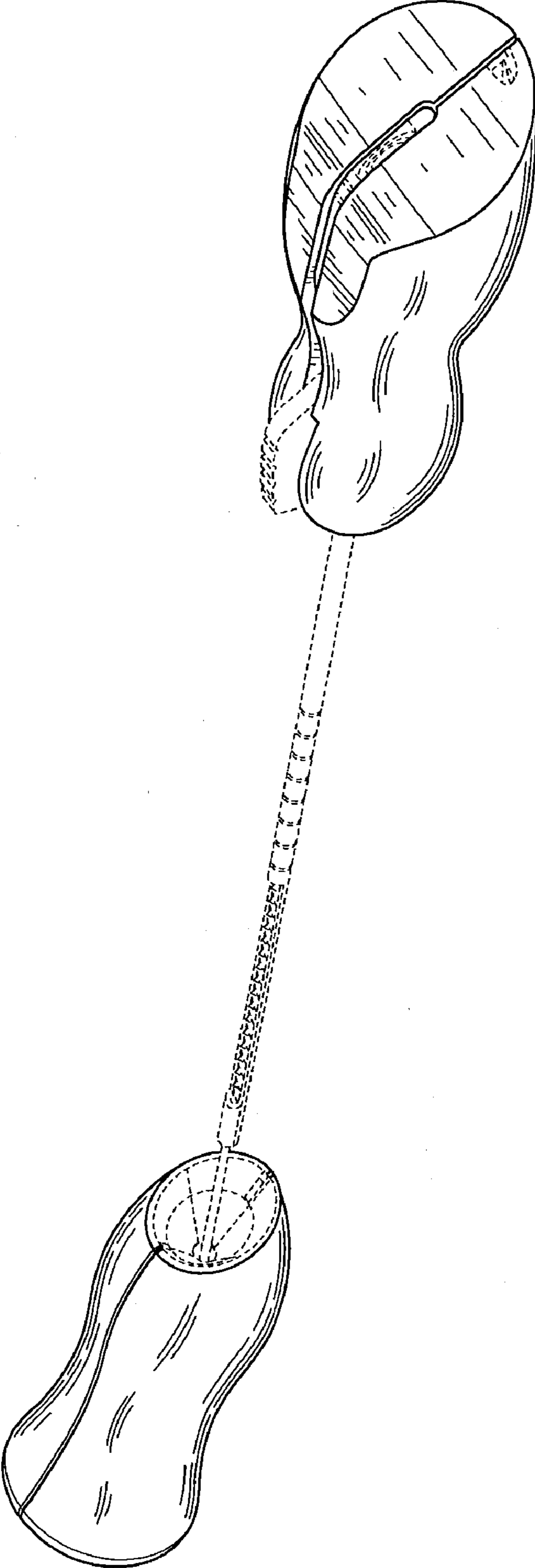


FIG.2

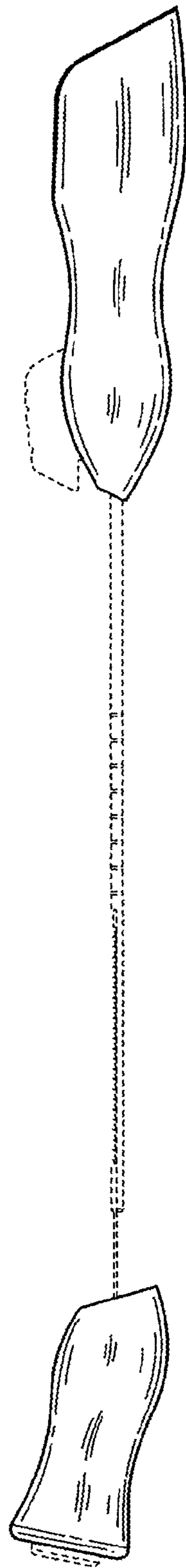


FIG. 3

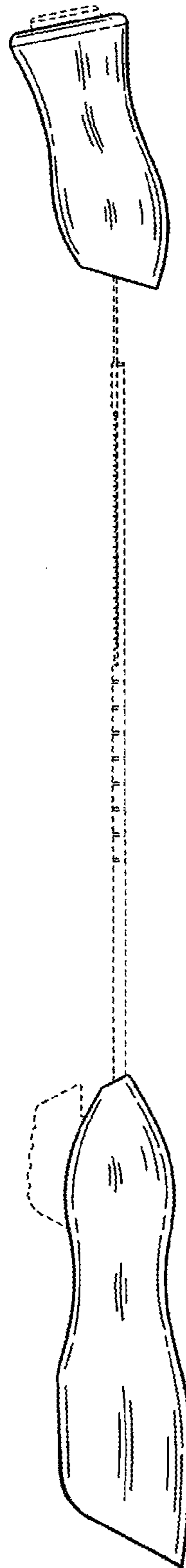


FIG. 4

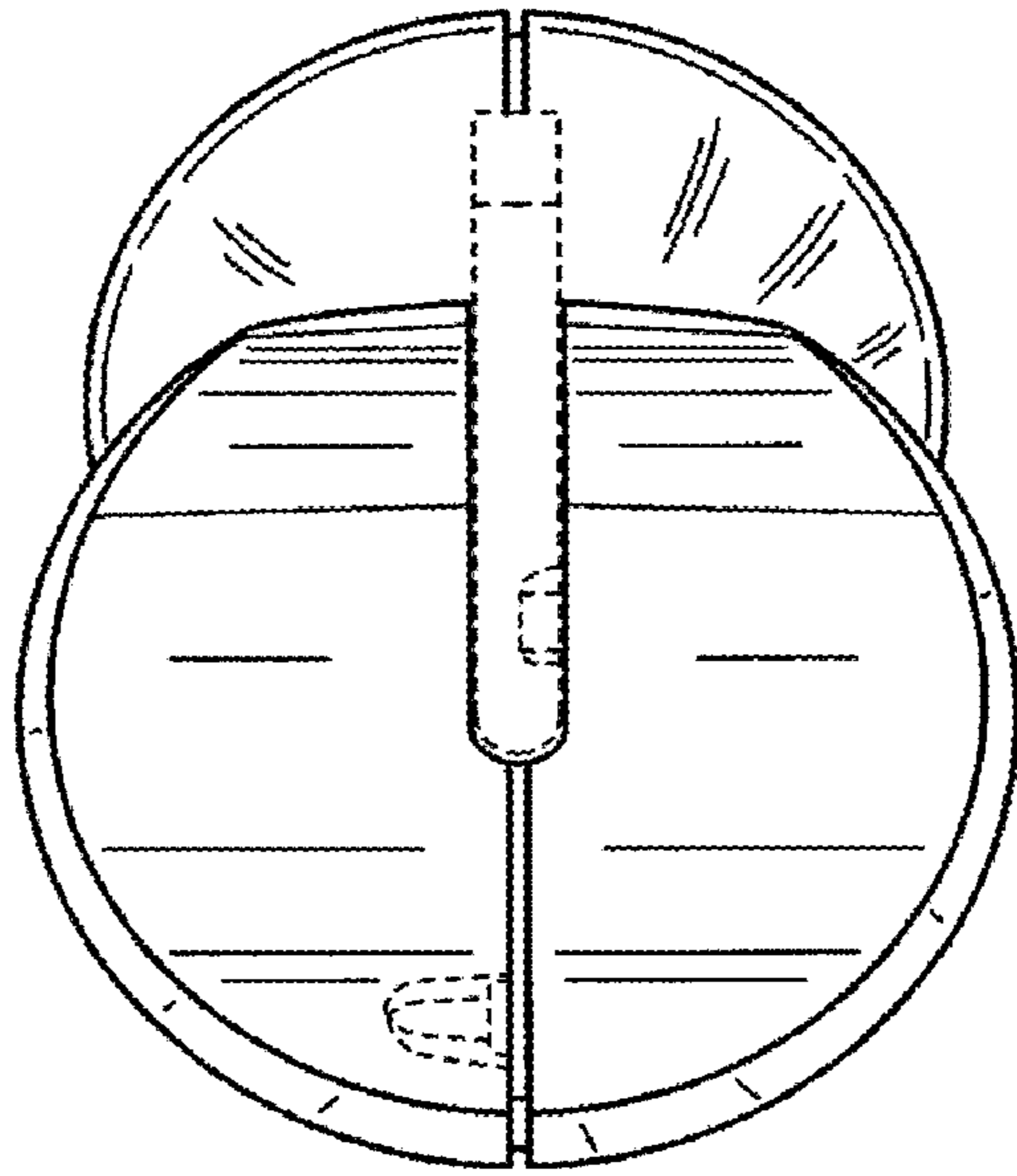


FIG. 5

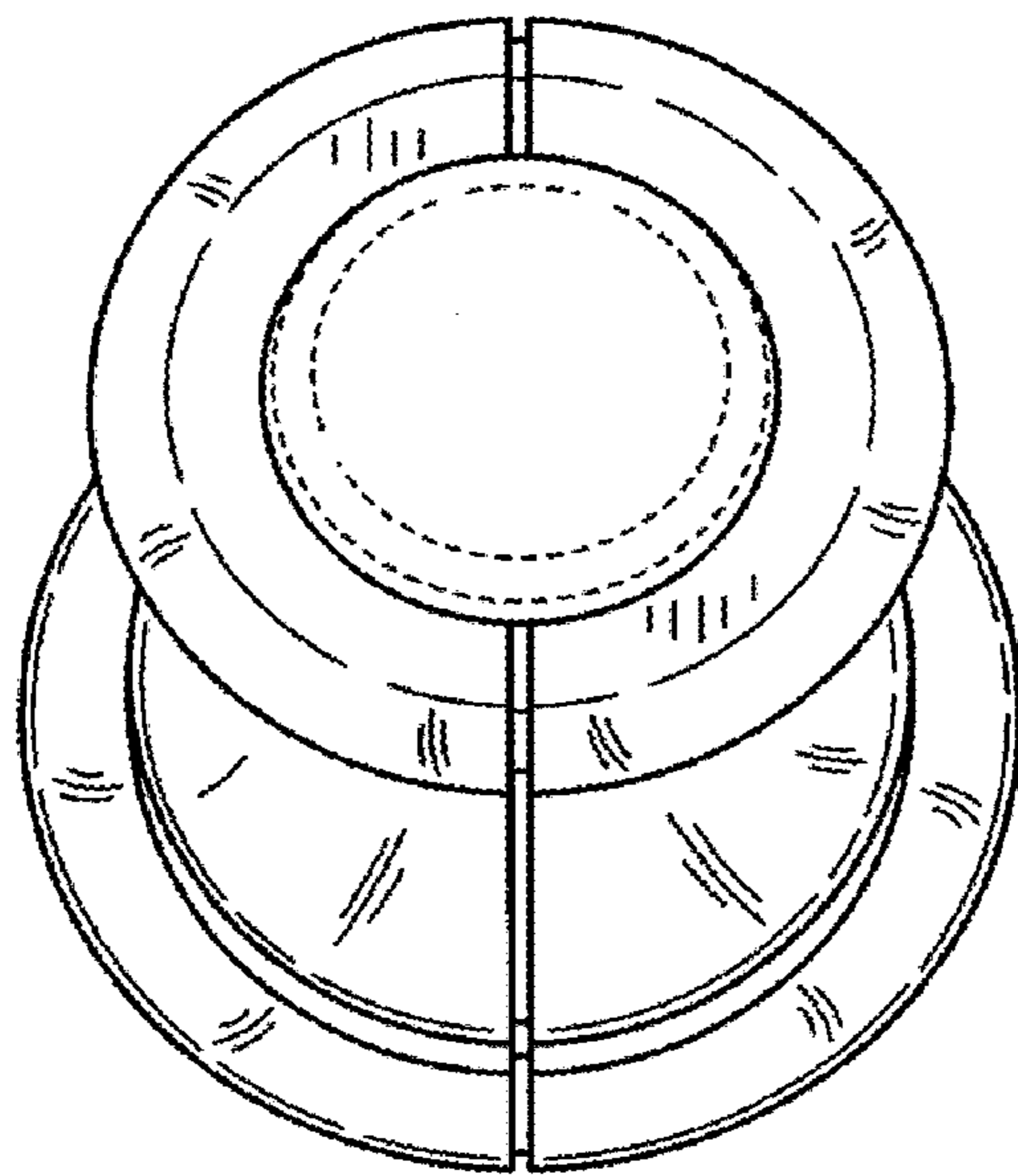


FIG. 6

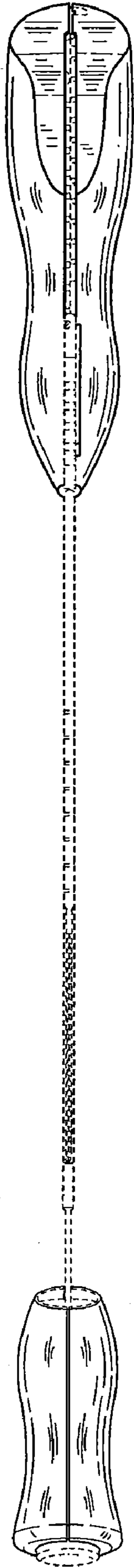


FIG. 7

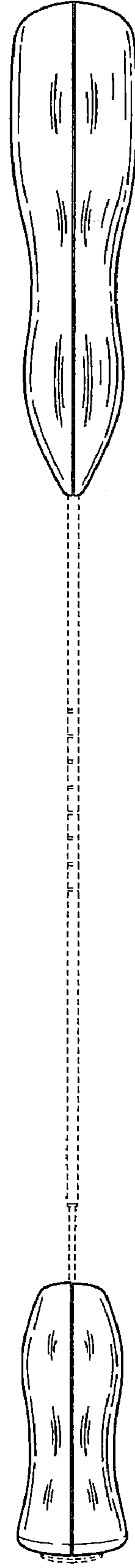
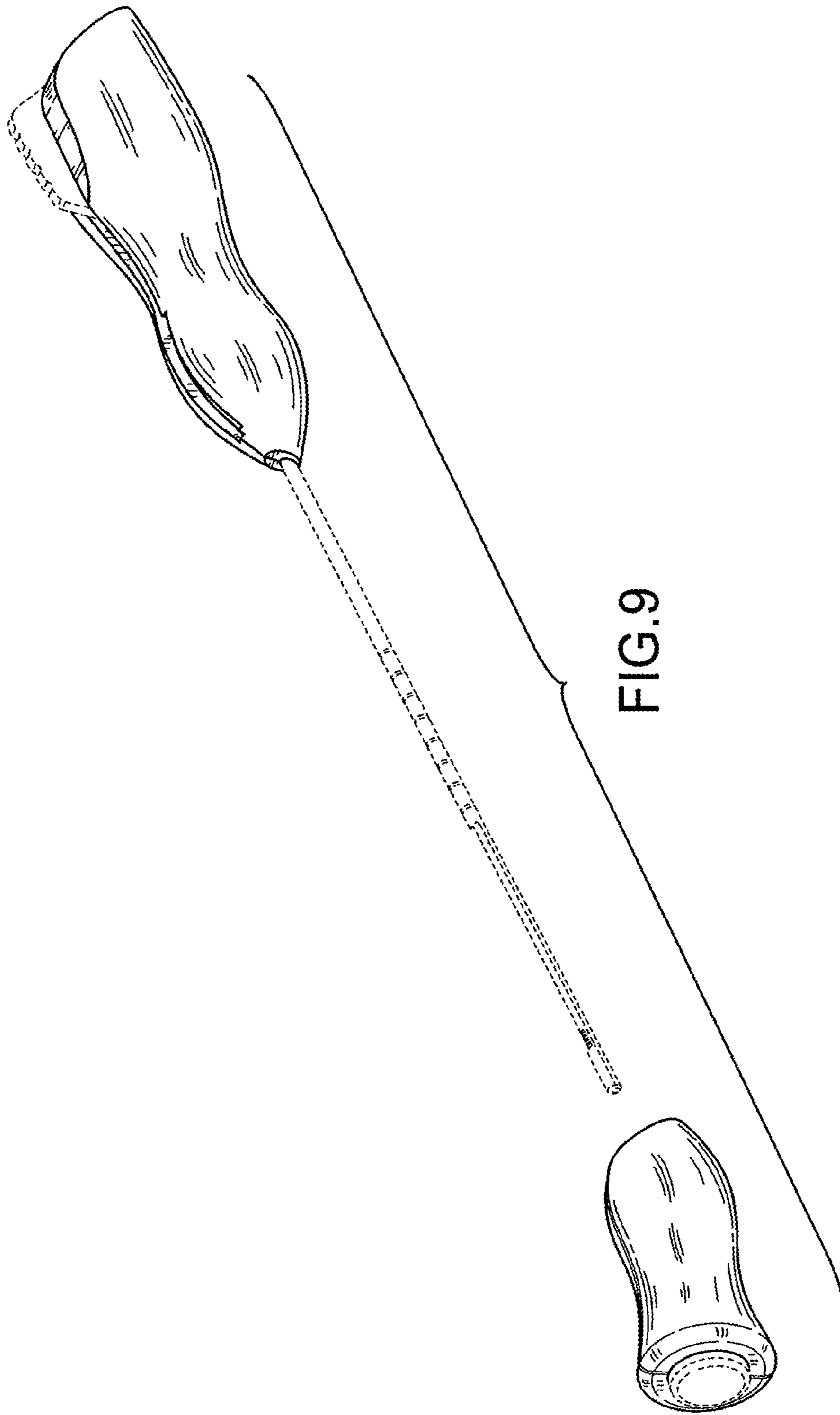


FIG. 8



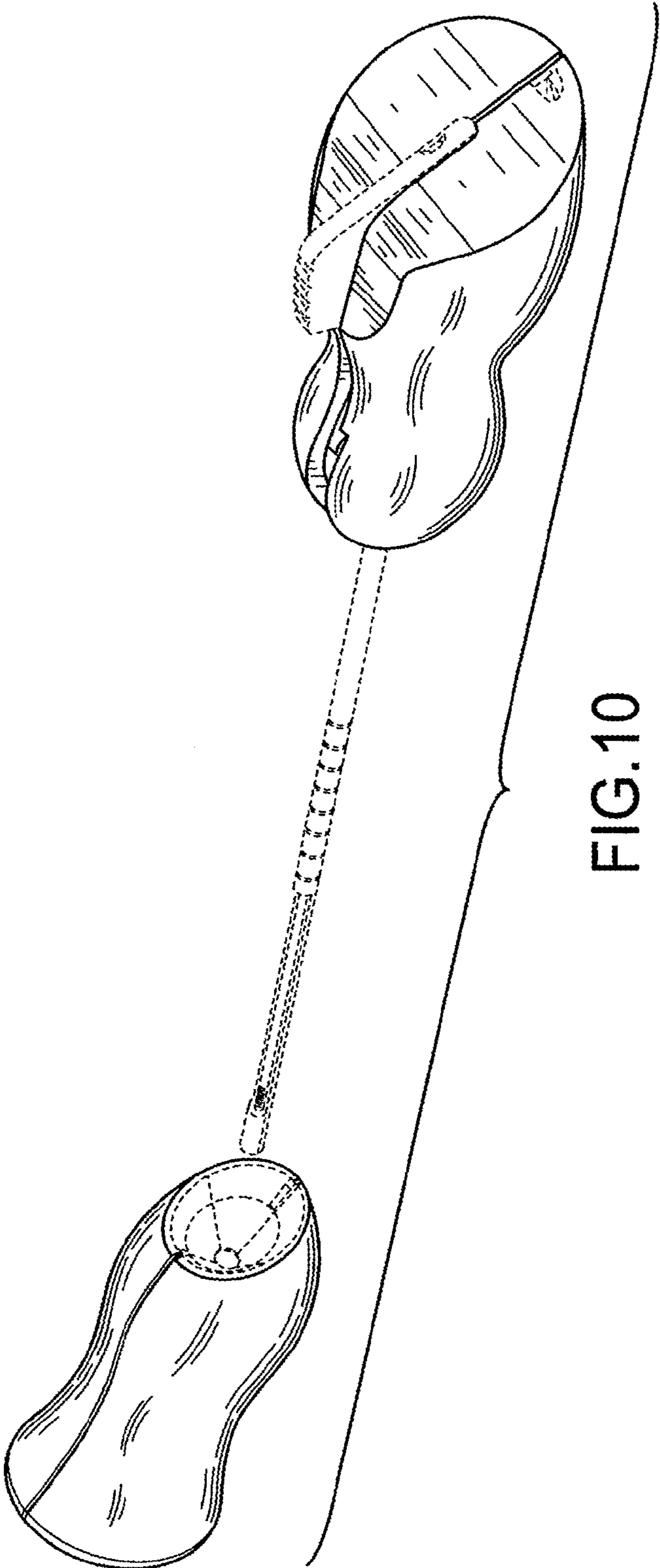


FIG.10

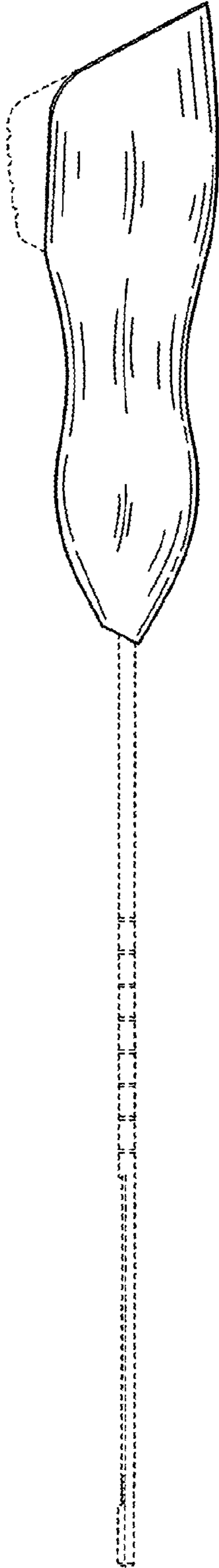


FIG. 11

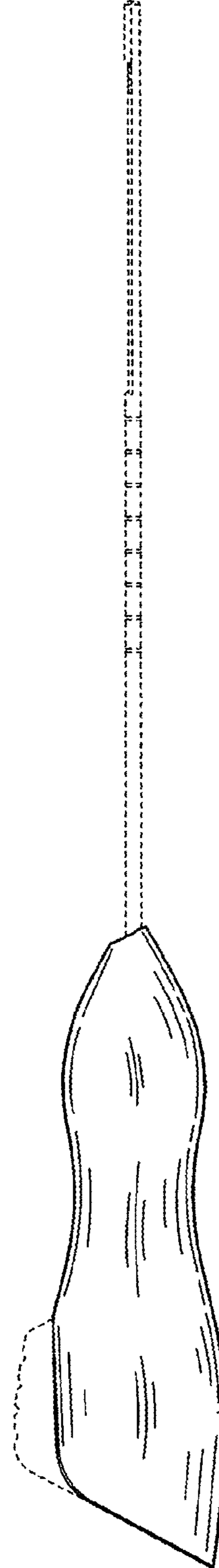


FIG. 12

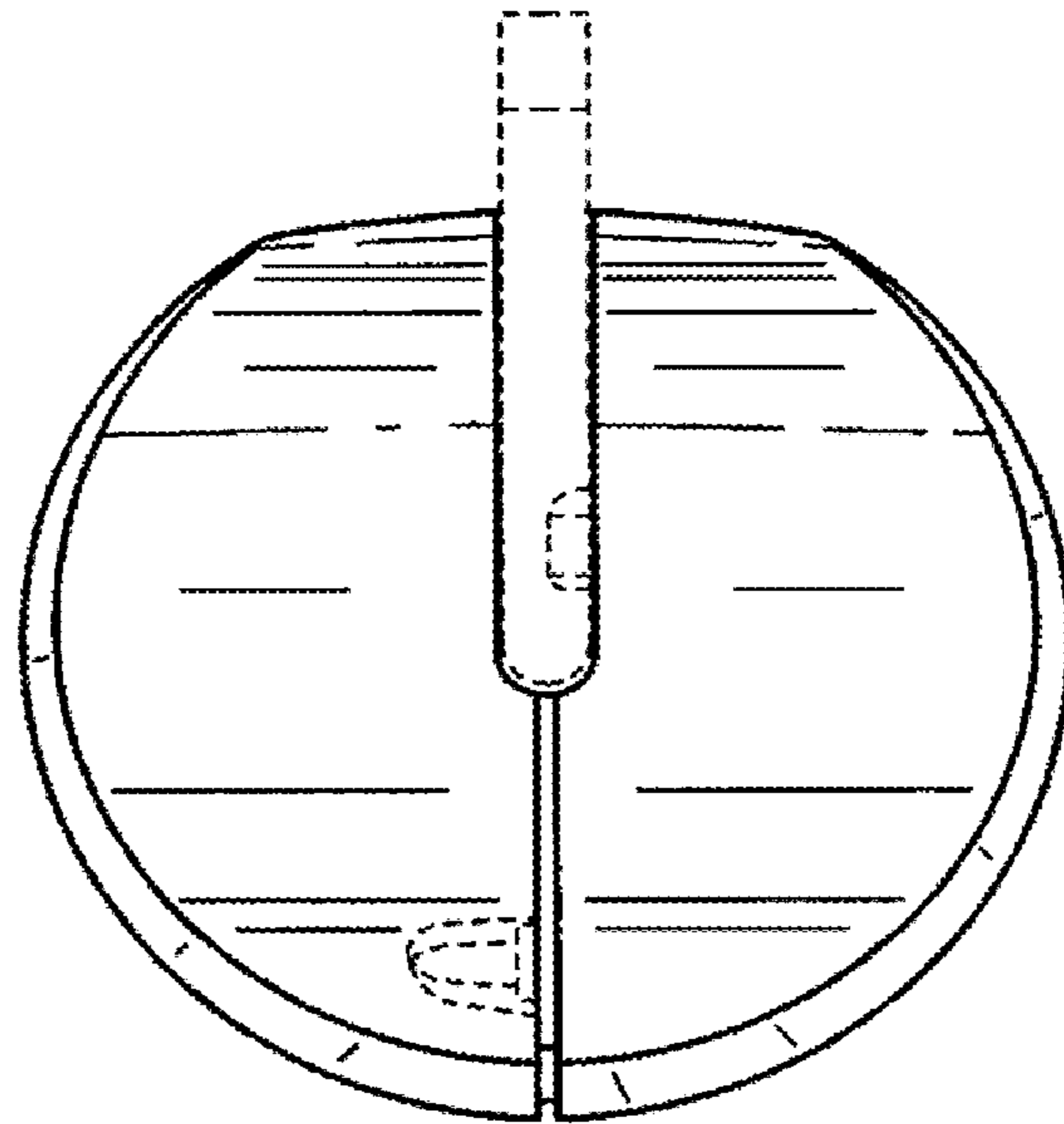


FIG. 13

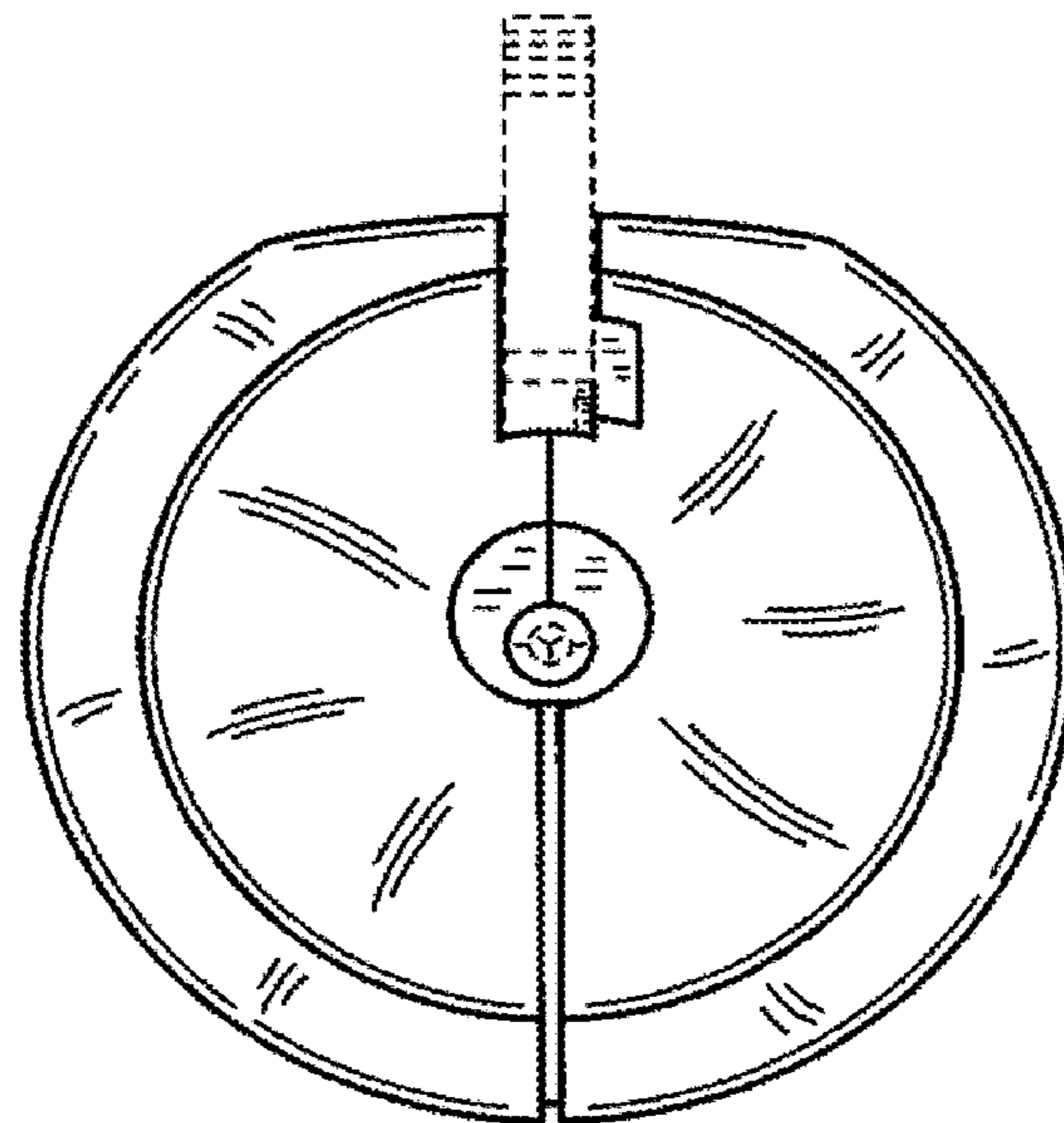


FIG. 14

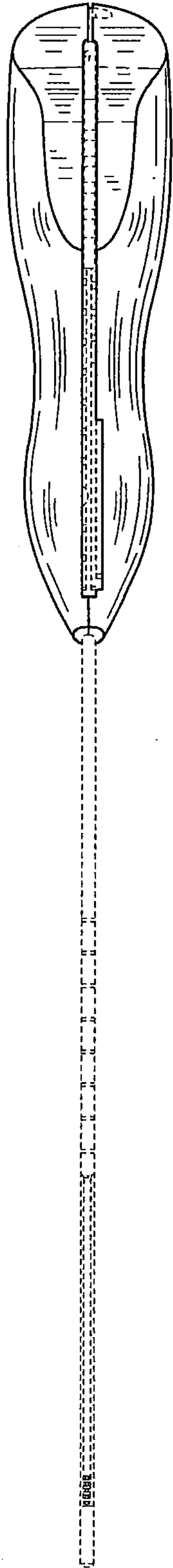


FIG. 15

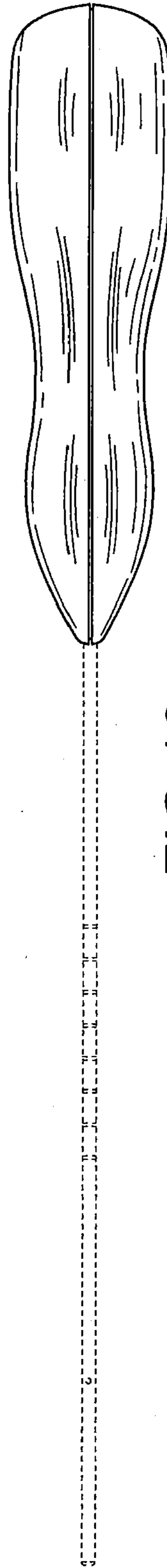


FIG. 16

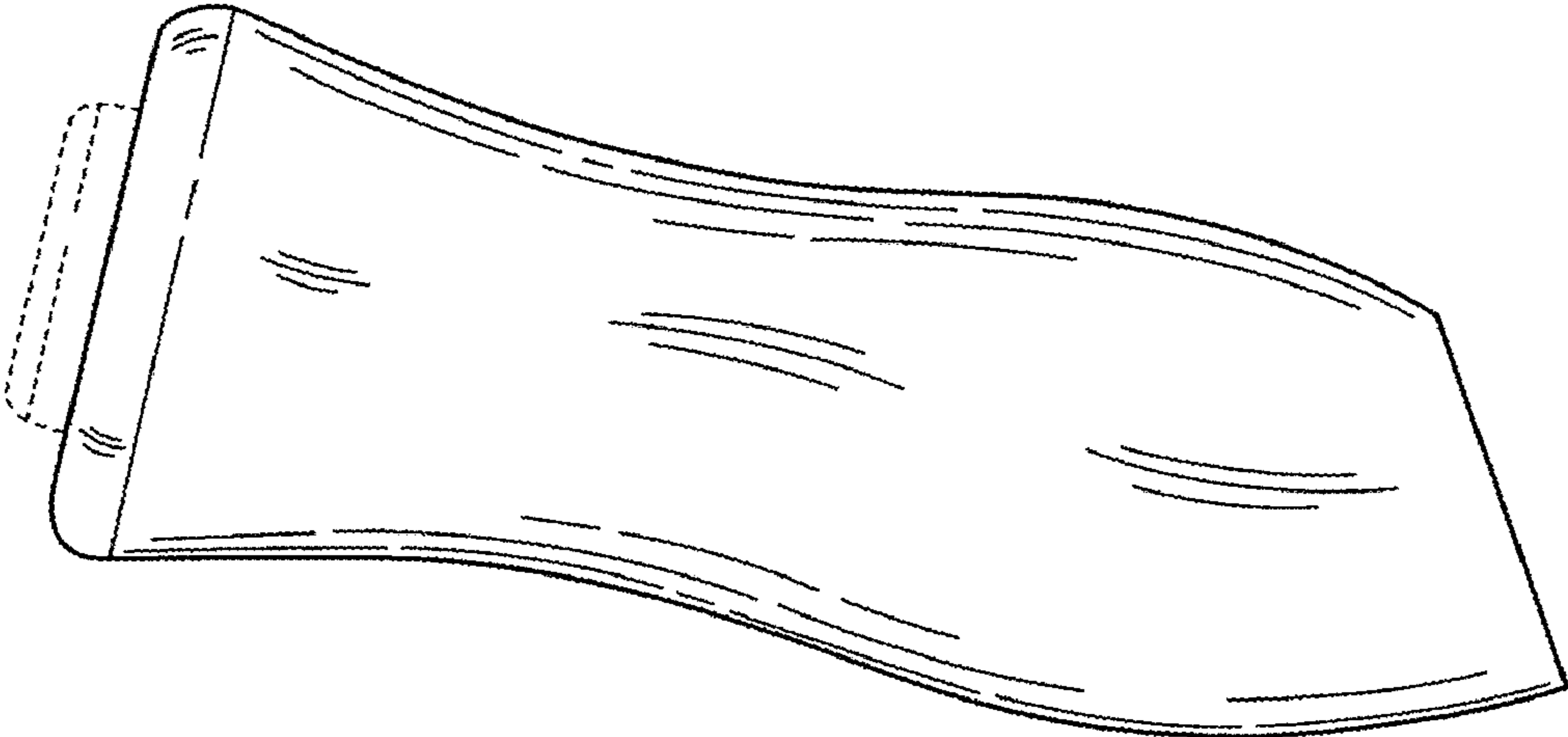


FIG.17

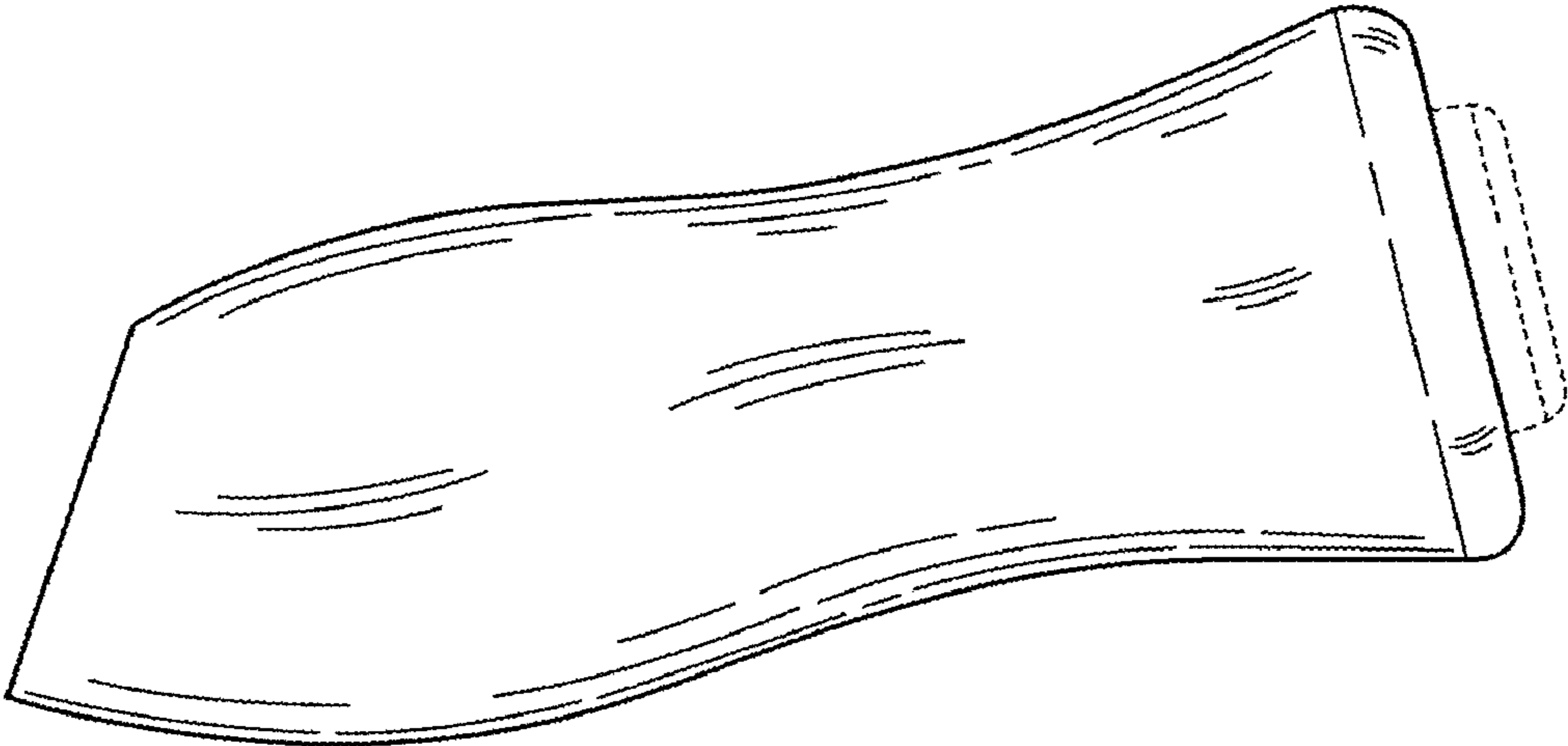


FIG.18

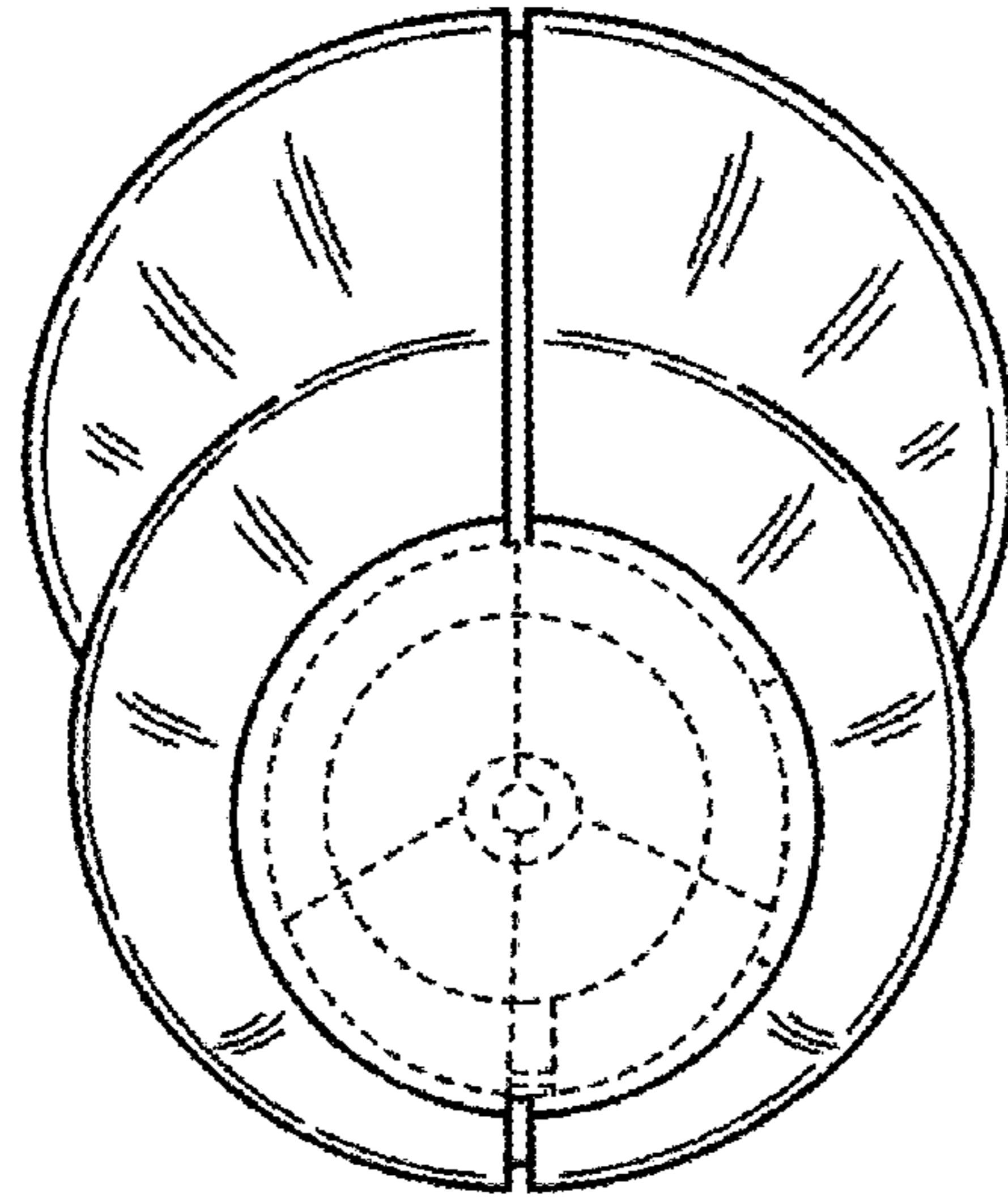


FIG. 19

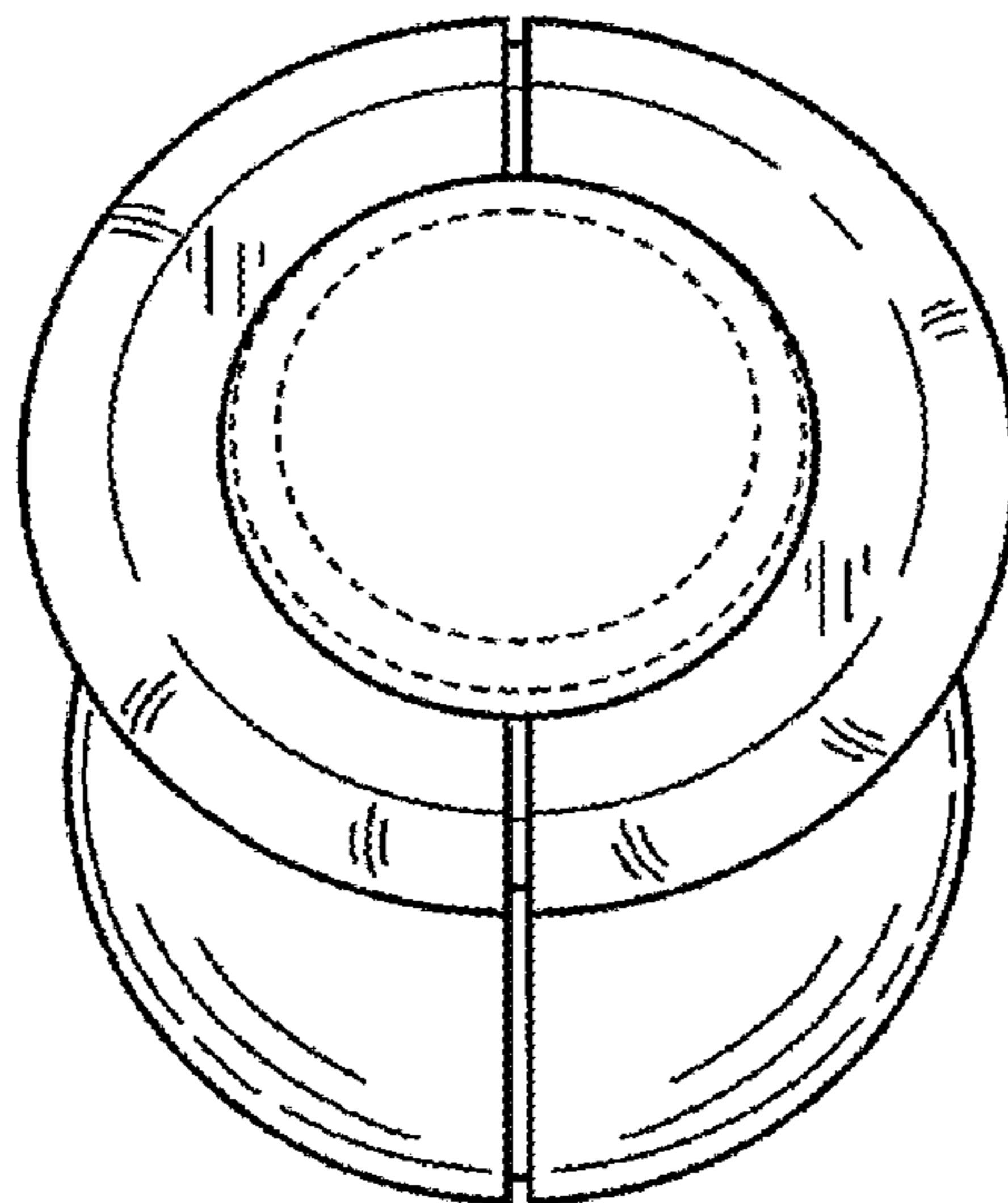


FIG. 20

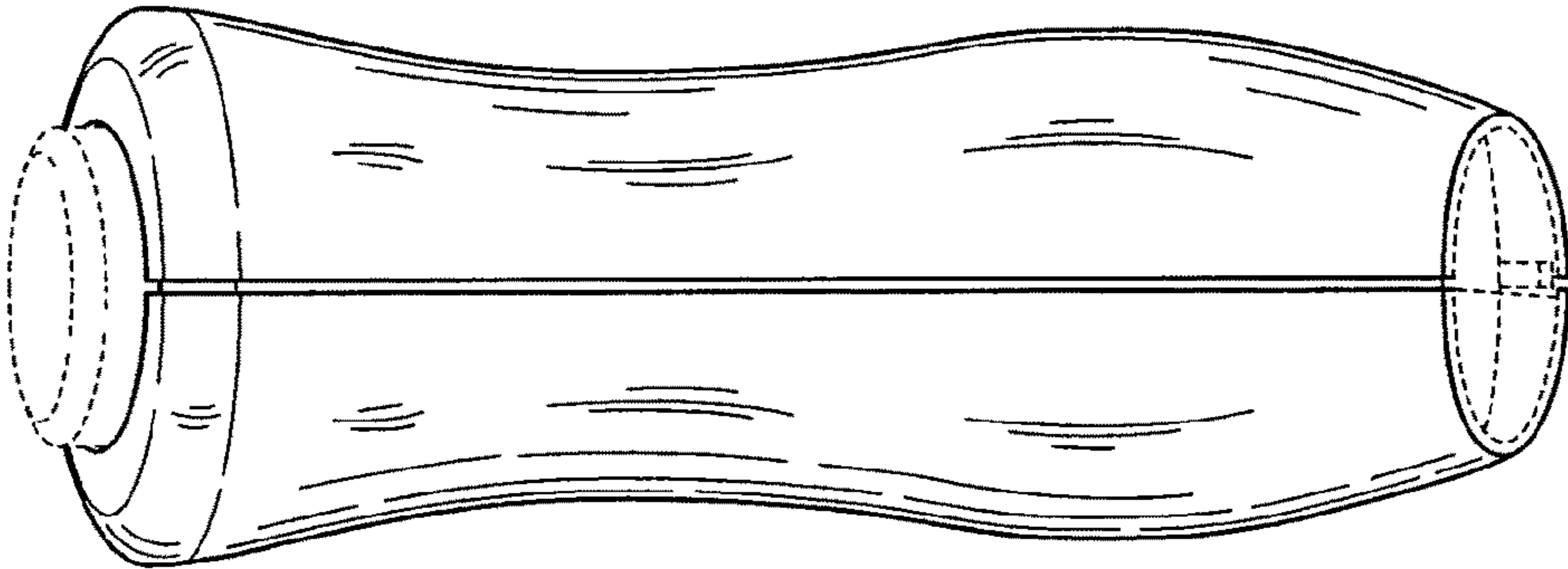


FIG. 21

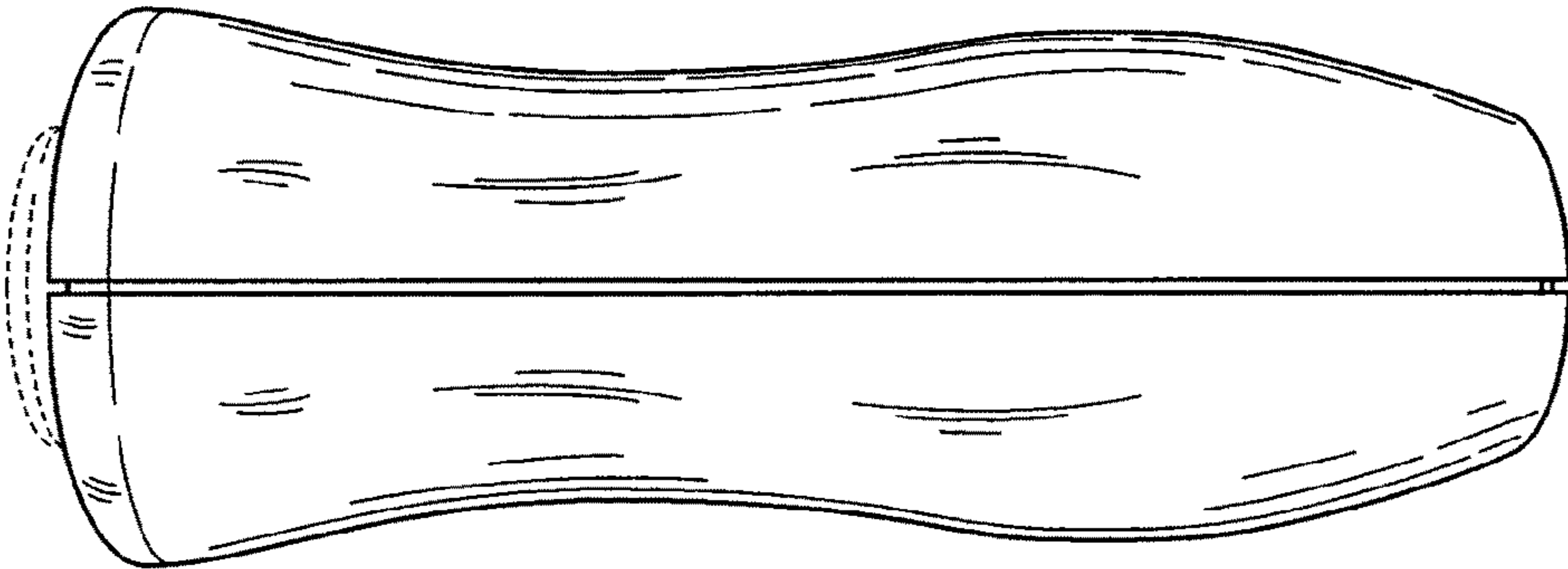


FIG. 22