



US00D673679S

(12) **United States Design Patent**  
**Hong**

(10) **Patent No.:** **US D673,679 S**

(45) **Date of Patent:** **\*\* Jan. 1, 2013**

(54) **LANCET**

(76) **Inventor:** **Kwan Ho Hong**, Gwangmyeong-si (KR)

(\*\*) **Term:** **14 Years**

(21) **Appl. No.:** **29/377,225**

(22) **Filed:** **Oct. 19, 2010**

(51) **LOC (9) Cl.** ..... **26-02**

(52) **U.S. Cl.** ..... **D24/146**

(58) **Field of Classification Search** ..... D24/146-148,  
D24/130, 133; 600/181, 182, 183, 184, 167;  
606/583

See application file for complete search history.

(56) **References Cited**

**U.S. PATENT DOCUMENTS**

D299,748 S *	2/1989	Robertson	.....	D24/144
D342,573 S *	12/1993	Cerola	.....	D24/147
D358,644 S *	5/1995	Park	.....	D24/146
D374,284 S *	10/1996	Stone et al.	.....	D24/145
D374,285 S *	10/1996	DeFonzo et al.	.....	D24/145
D376,649 S *	12/1996	Kim	.....	D24/147
D444,557 S *	7/2001	Levaughn et al.	.....	D24/146
D445,183 S *	7/2001	McWethy et al.	.....	D24/130

D447,566 S *	9/2001	Levaughn et al.	.....	D24/146
6,451,040 B1 *	9/2002	Purcell	.....	606/181
6,749,618 B2 *	6/2004	Levaughn et al.	.....	606/182
D499,182 S *	11/2004	Moore et al.	.....	D24/146
D566,273 S *	4/2008	Gutmann et al.	.....	D24/146

\* cited by examiner

*Primary Examiner* — Stella Reid

*Assistant Examiner* — Carissa C Fitts

(74) *Attorney, Agent, or Firm* — LRK Patent Law Firm

(57) **CLAIM**

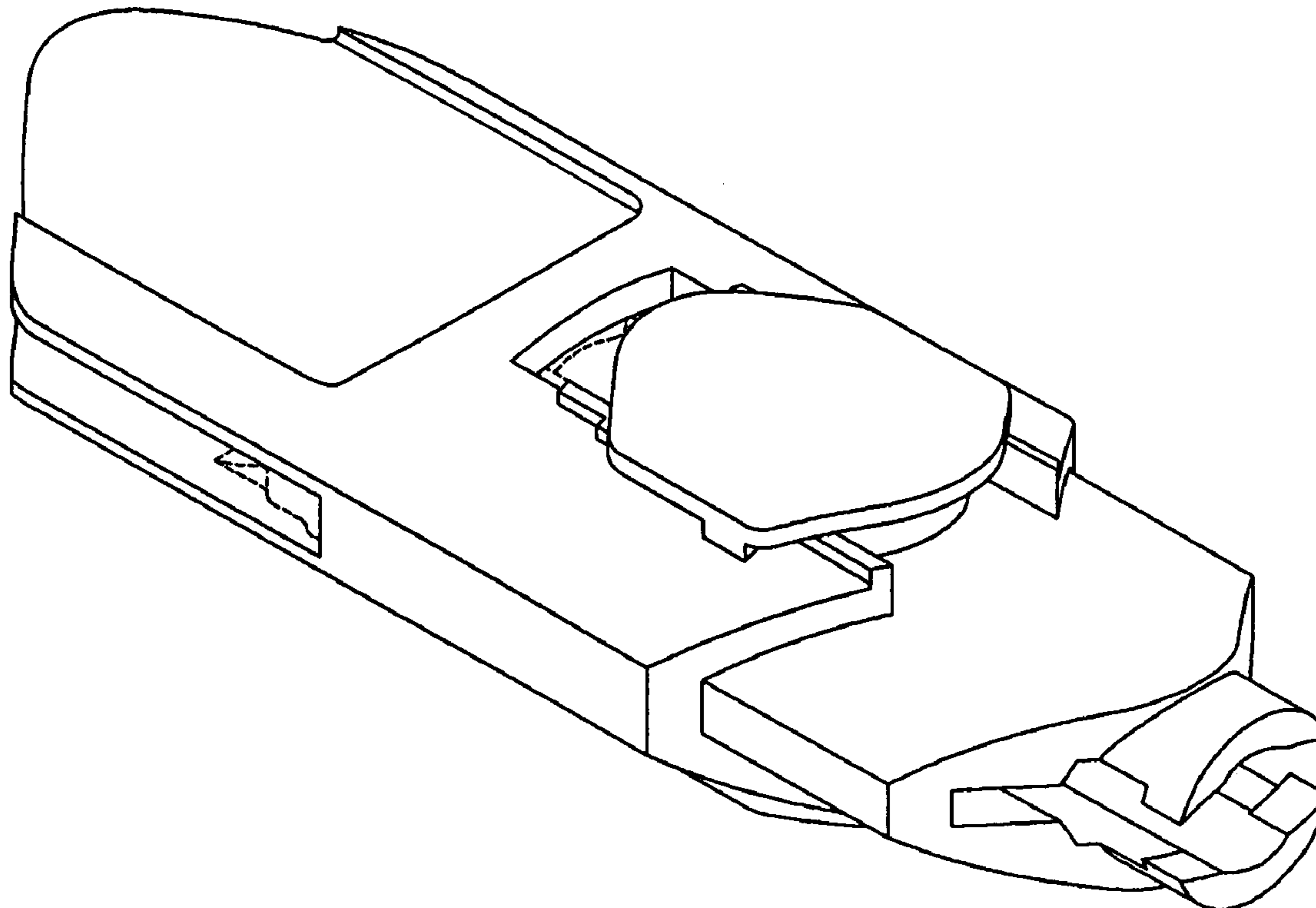
The ornamental design for a lancet, as shown and described.

**DESCRIPTION**

FIG. 1 is a perspective view of the lancet of my new design;  
 FIG. 2 is a front elevational view thereof;  
 FIG. 3 is a rear elevational view thereof;  
 FIG. 4 is a left side elevational view thereof;  
 FIG. 5 is a right side elevational view thereof;  
 FIG. 6 is a top plan view thereof; and,  
 FIG. 7 is a bottom plan view thereof.

The broken line showing is for environmental purposes only and forms no part of the claimed design.

**1 Claim, 5 Drawing Sheets**



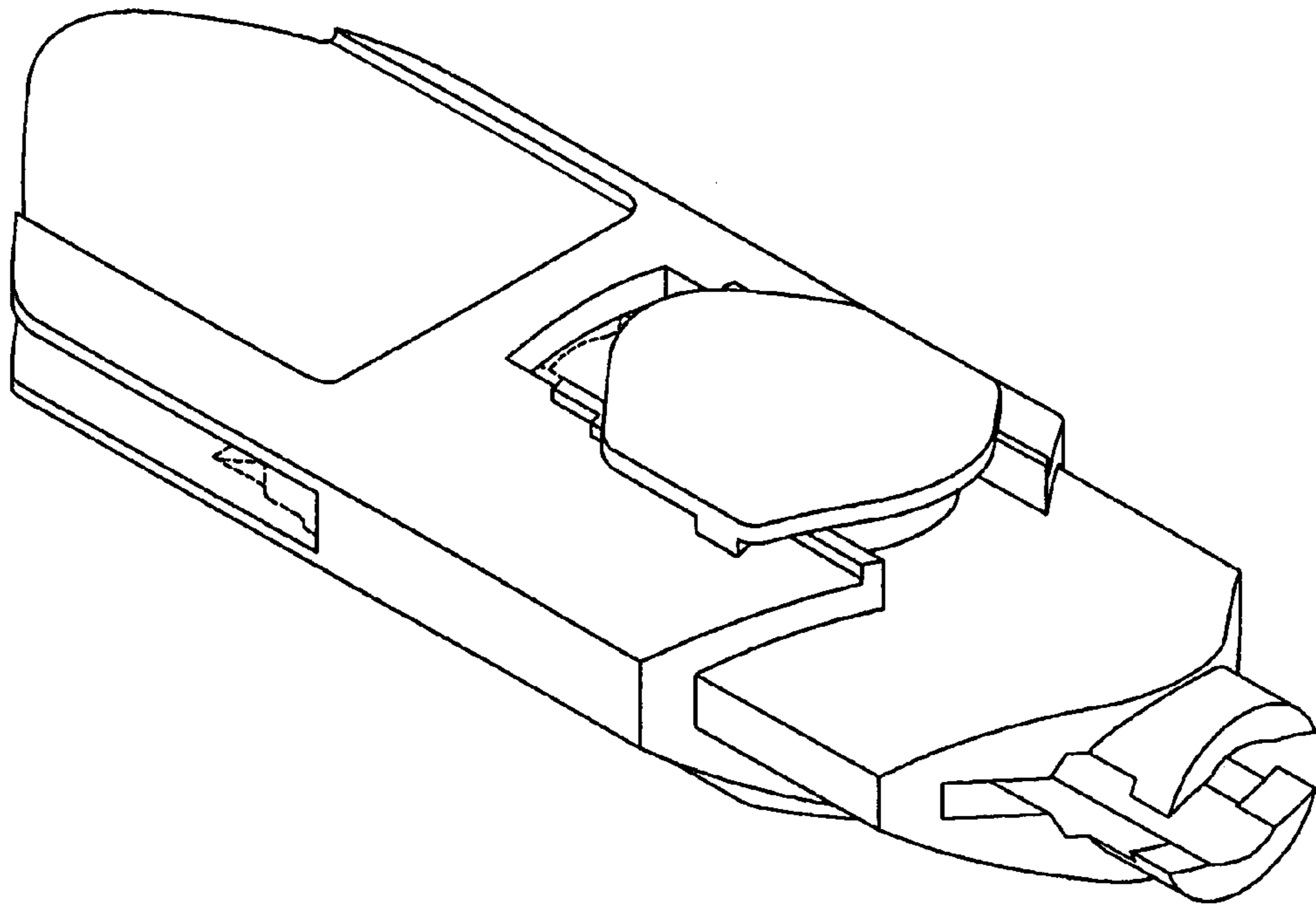


FIG. 1

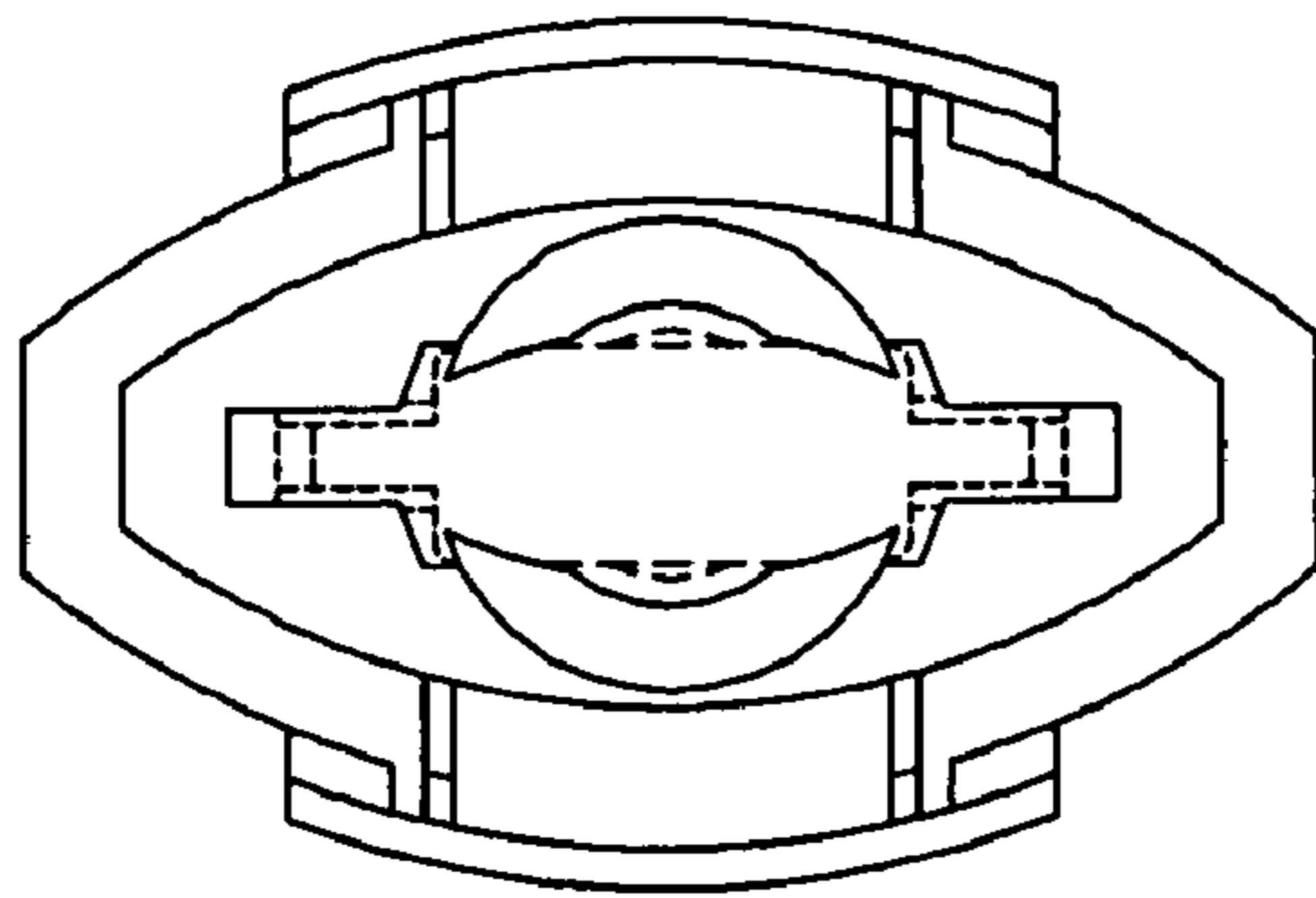


FIG. 2

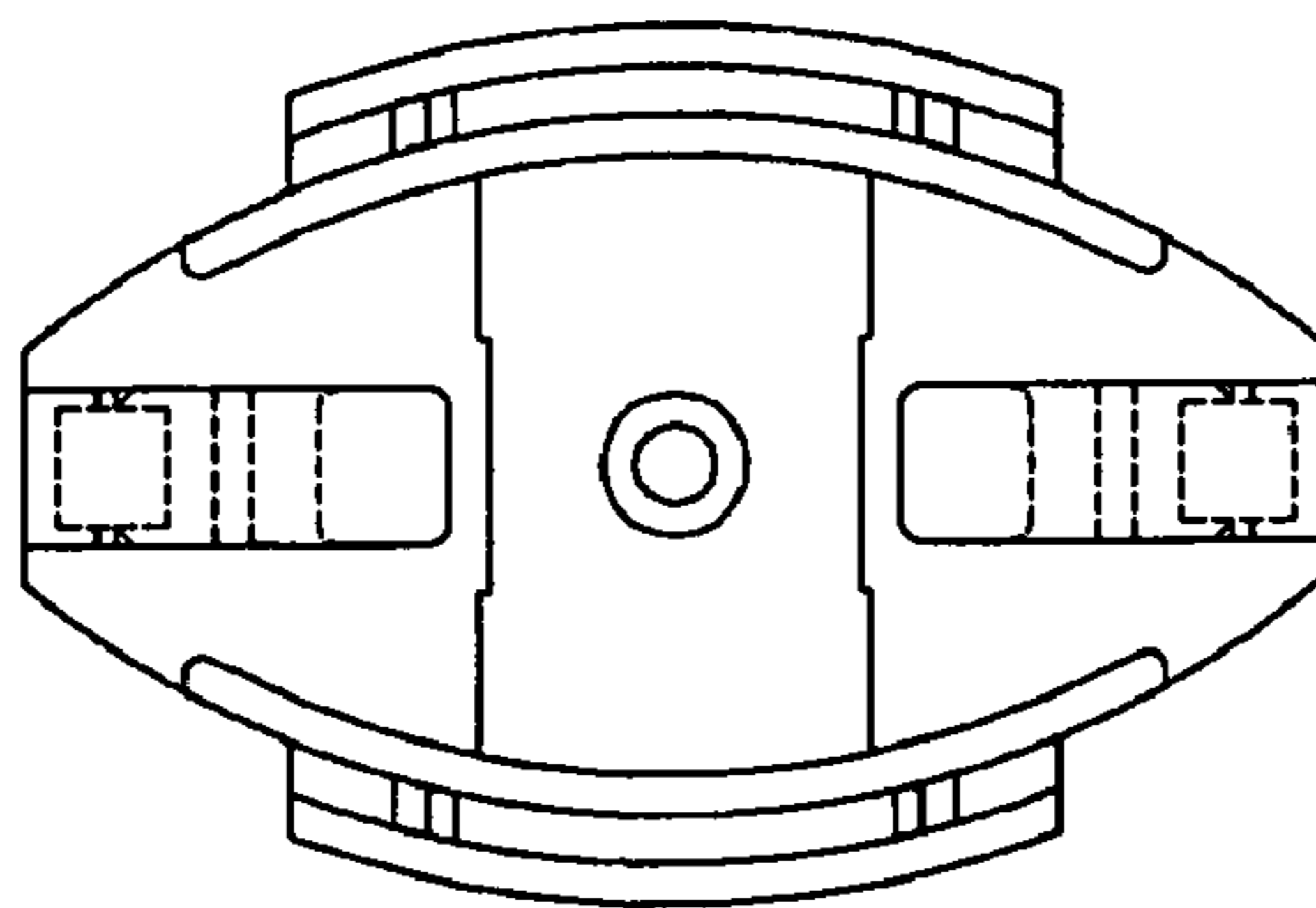


FIG. 3

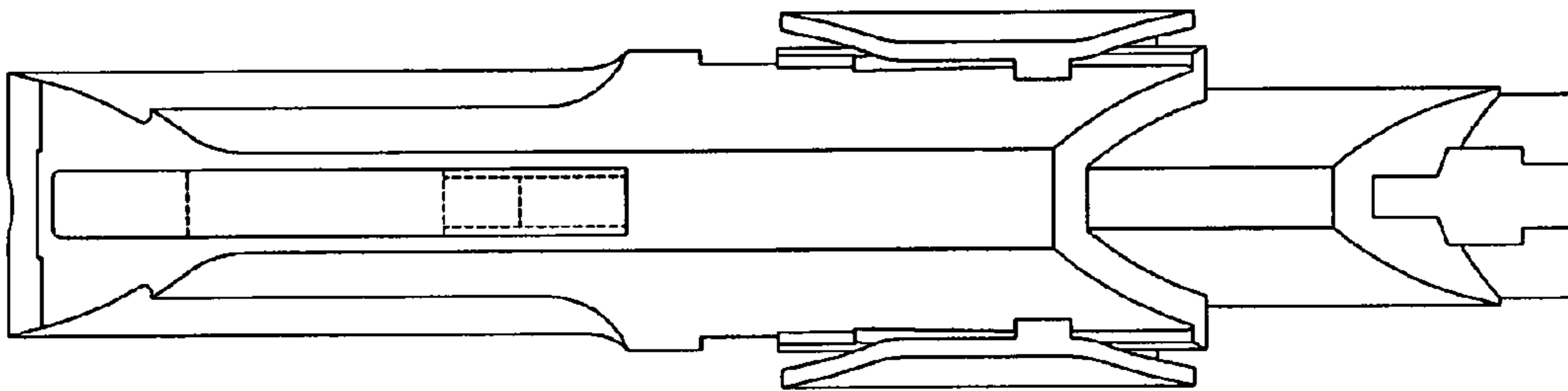


FIG. 4

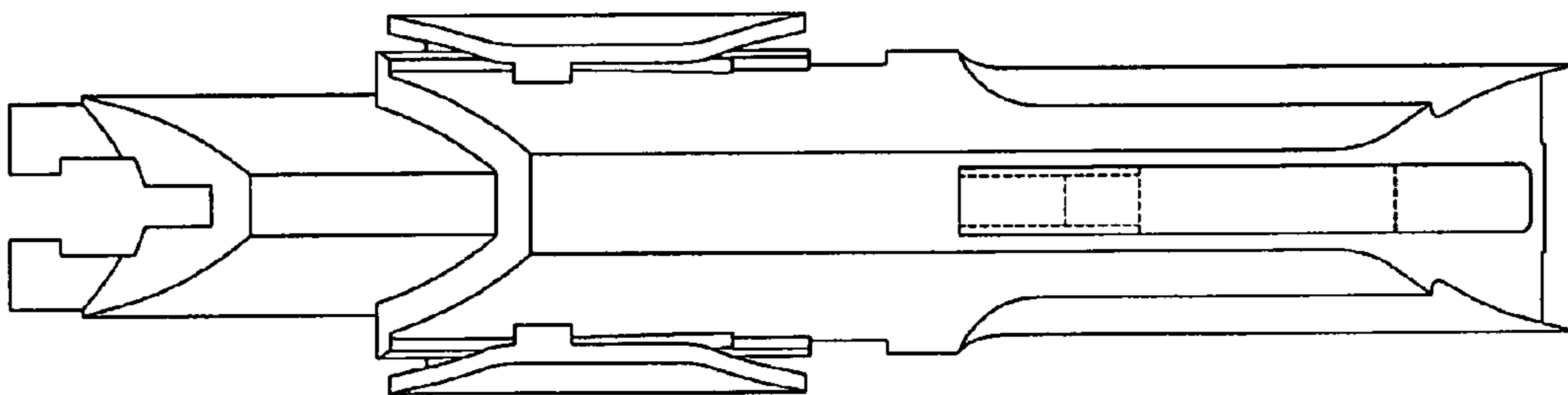


FIG. 5

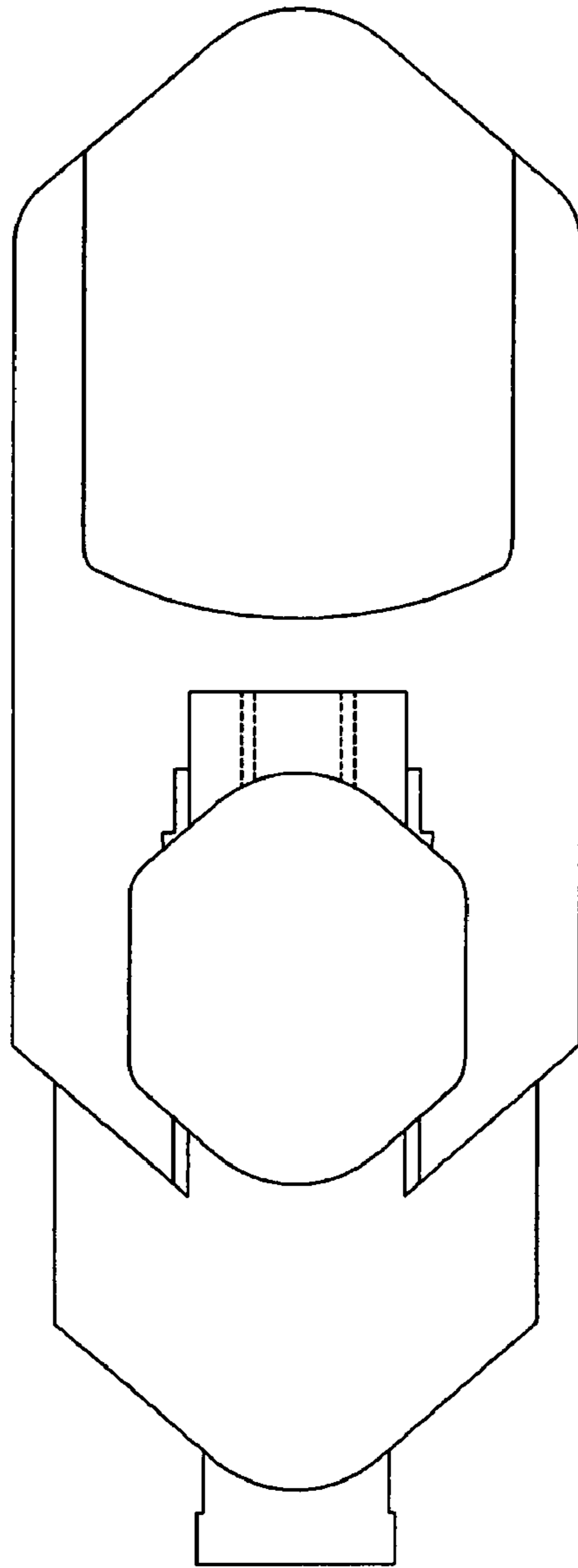


FIG. 6

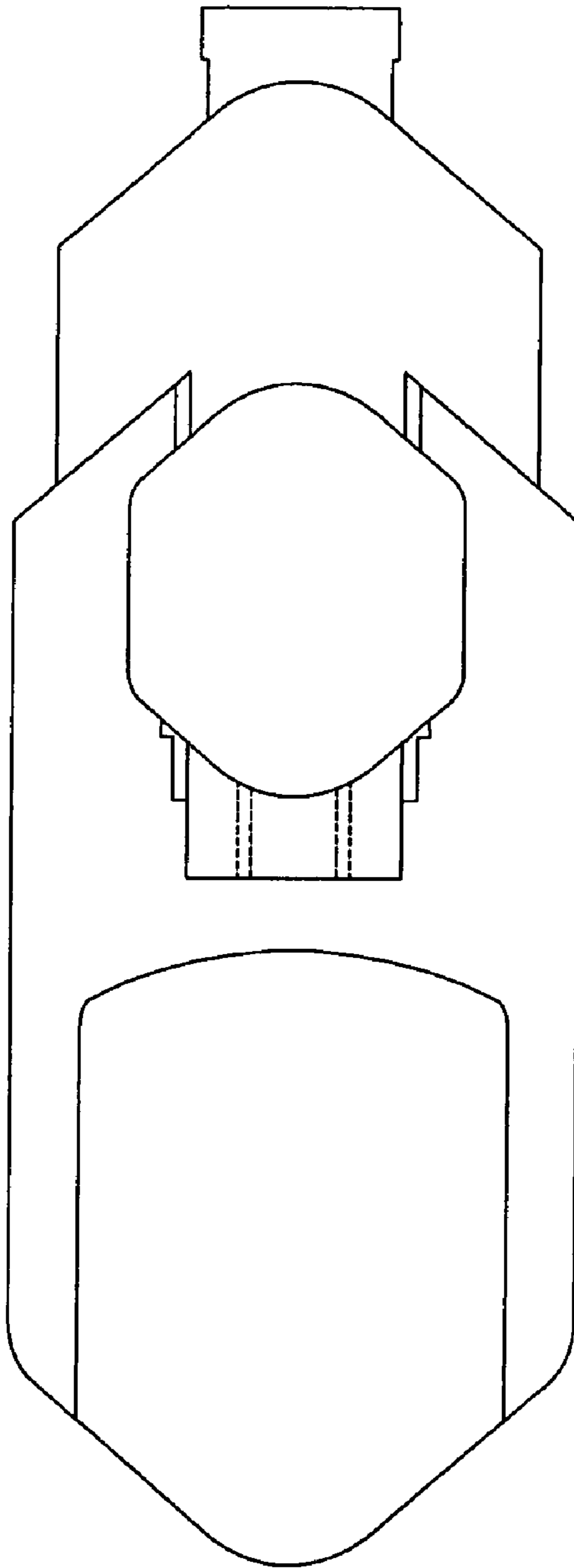


FIG. 7