



US00D673677S

(12) **United States Design Patent**
Noda et al.

(10) **Patent No.:** **US D673,677 S**
(45) **Date of Patent:** **** Jan. 1, 2013**

(54) **FIBROTIC BAND INTERRUPTER AND
IMPLANT INTRODUCING DEVICE**

2008/0287970 A1* 11/2008 Amato et al. 606/151
2012/0065650 A1* 3/2012 Amato et al. 606/151
2012/0215237 A1* 8/2012 Amato 606/151

(75) Inventors: **Wayne A. Noda**, Mission Viejo, CA
(US); **Giuseppe Amato**, Palermo (IT)

* cited by examiner

(73) Assignee: **Insightra Medical, Inc.**, Irvine, CA
(US)

Primary Examiner — Wan Laymon

(74) *Attorney, Agent, or Firm* — John L. Rogitz

(**) Term: **14 Years**

(57) **CLAIM**

The ornamental design for the fibrotic band interrupter and implant introducing device, as shown and described.

(21) Appl. No.: **29/408,564**

DESCRIPTION

(22) Filed: **Dec. 14, 2011**

(51) **LOC (9) Cl.** **24-02**

(52) **U.S. Cl.** **D24/141; D24/114**

(58) **Field of Classification Search** D24/112–114,
D24/133, 140–141, 146–147, 155, 108; 604/187,
604/218; 606/49, 53, 79–80, 86 R, 96, 99,
606/104–105, 151, 185

See application file for complete search history.

FIG. 1 is a first perspective view of the fibrotic band interrupter and implant introducing device, showing the plunger in the advanced position;

FIG. 2 is a second perspective view of the fibrotic band interrupter and implant introducing device, showing the plunger in the retracted position;

FIG. 3 is a first side view of the fibrotic band interrupter and implant introducing device, showing the plunger in the advanced position;

FIG. 4 is a second side view of the fibrotic band interrupter and implant introducing device, showing the plunger in the retracted position;

FIG. 5 is a first end view of the fibrotic band interrupter and implant introducing device; and,

FIG. 6 is a second end view of the fibrotic band interrupter and implant introducing device.

(56) **References Cited**

U.S. PATENT DOCUMENTS

2,105,946 A * 1/1938 Lewis 604/218
4,559,936 A * 12/1985 Hill 606/79
5,484,437 A * 1/1996 Michelson D24/133
D578,210 S * 10/2008 Muta et al. D24/114
7,955,335 B2 * 6/2011 Gil et al. 606/79

1 Claim, 2 Drawing Sheets

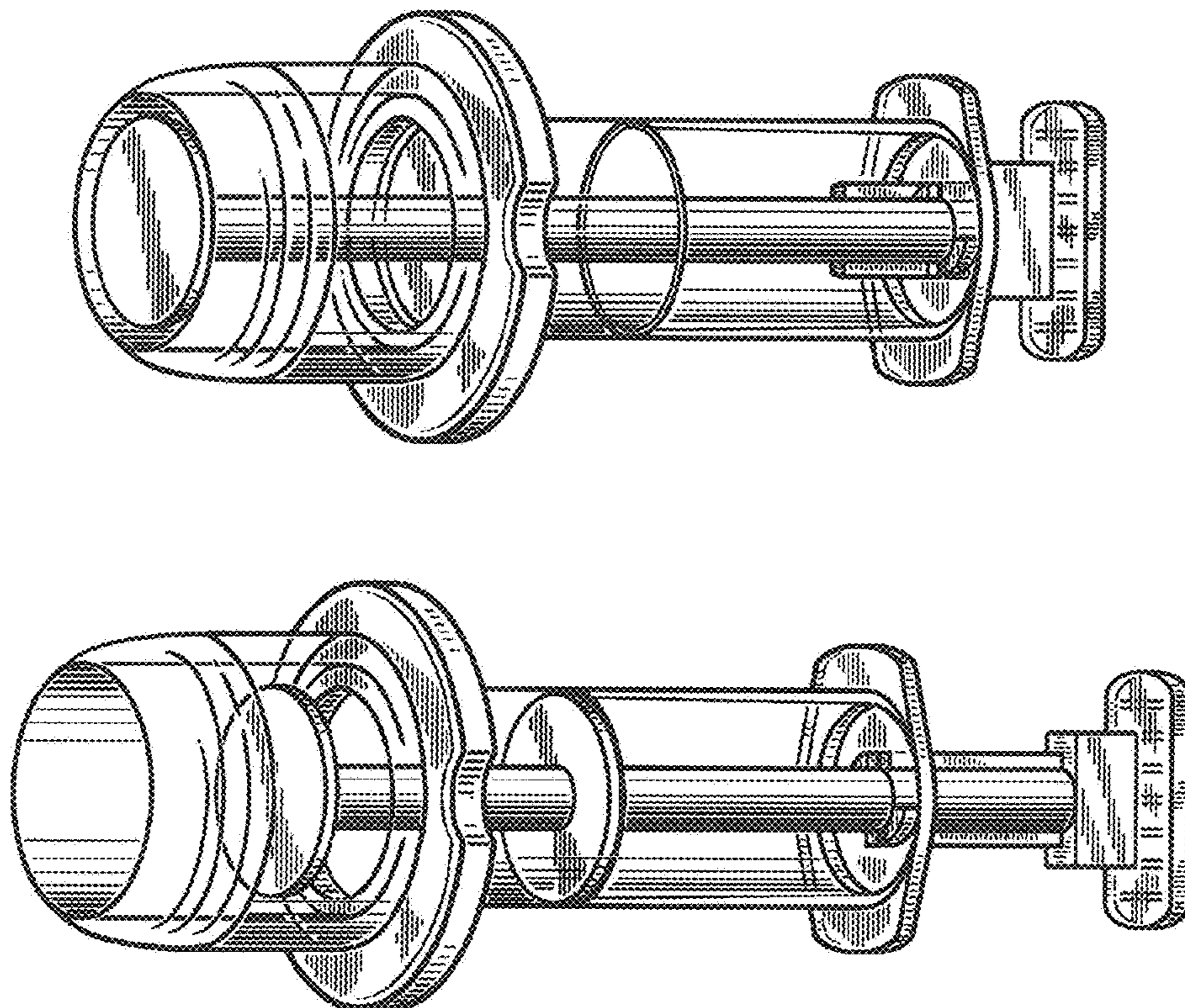


Figure 1

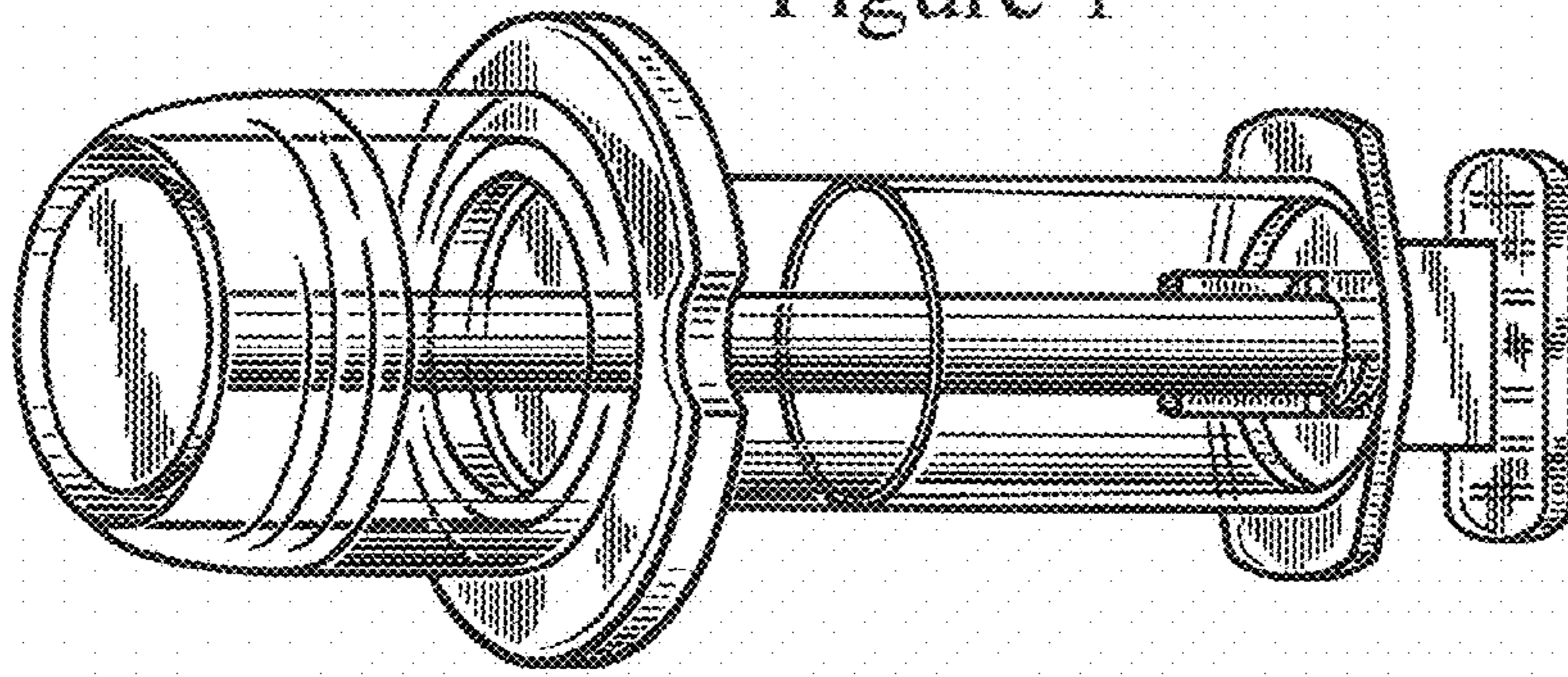


Figure 2

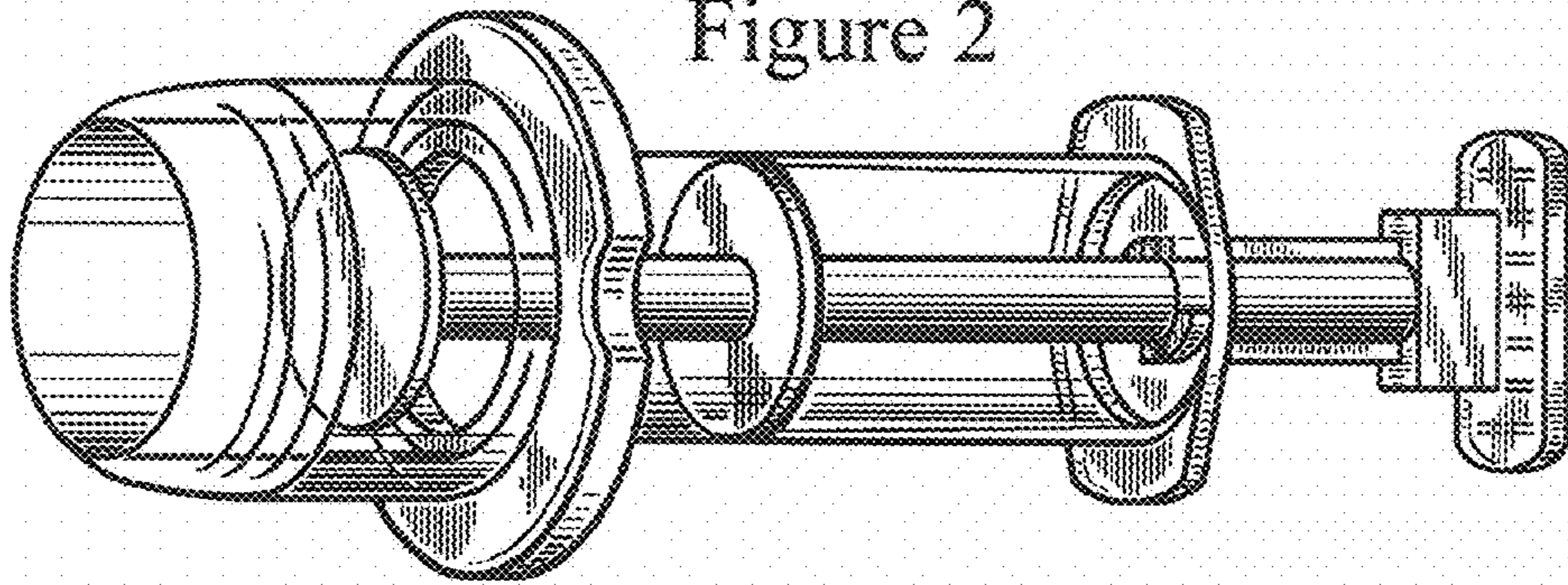


Figure 3

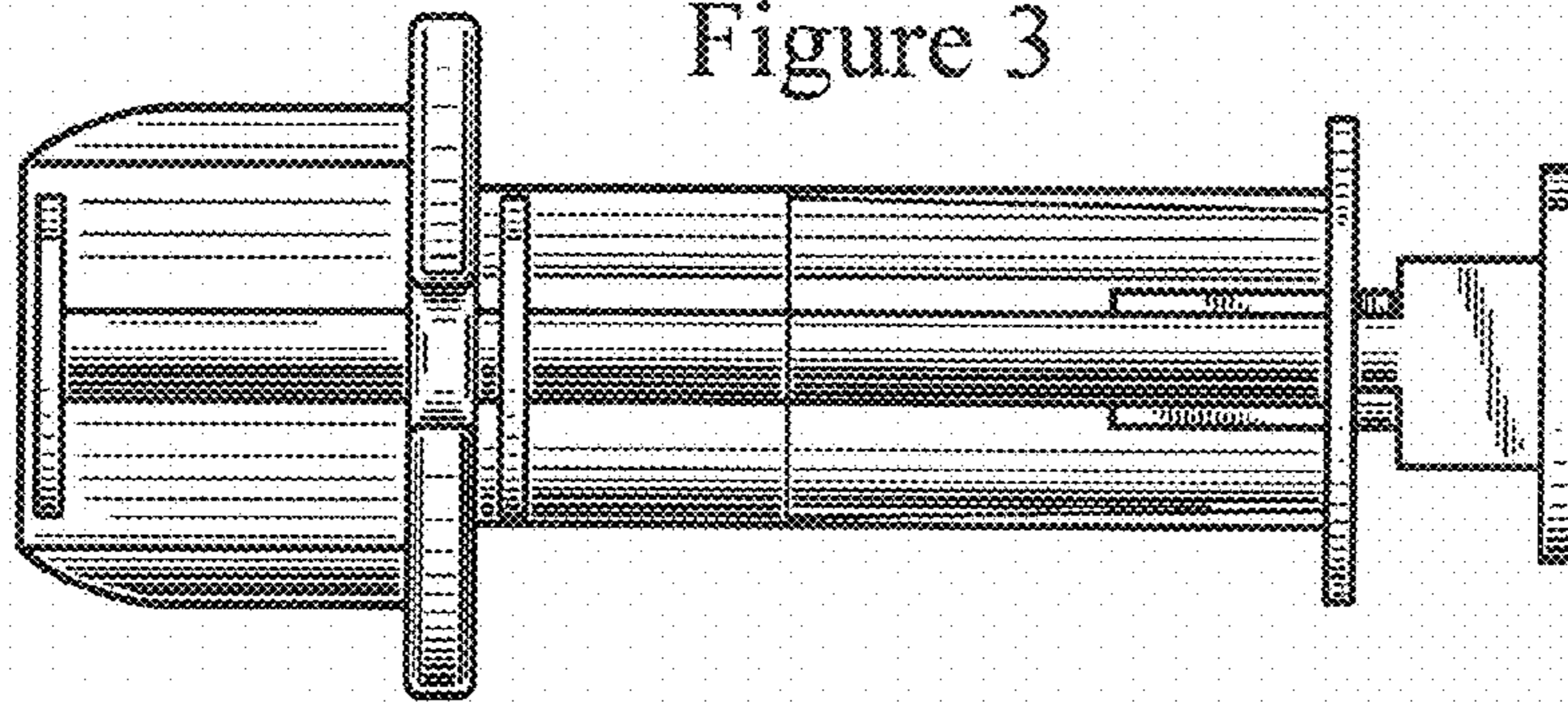


Figure 4

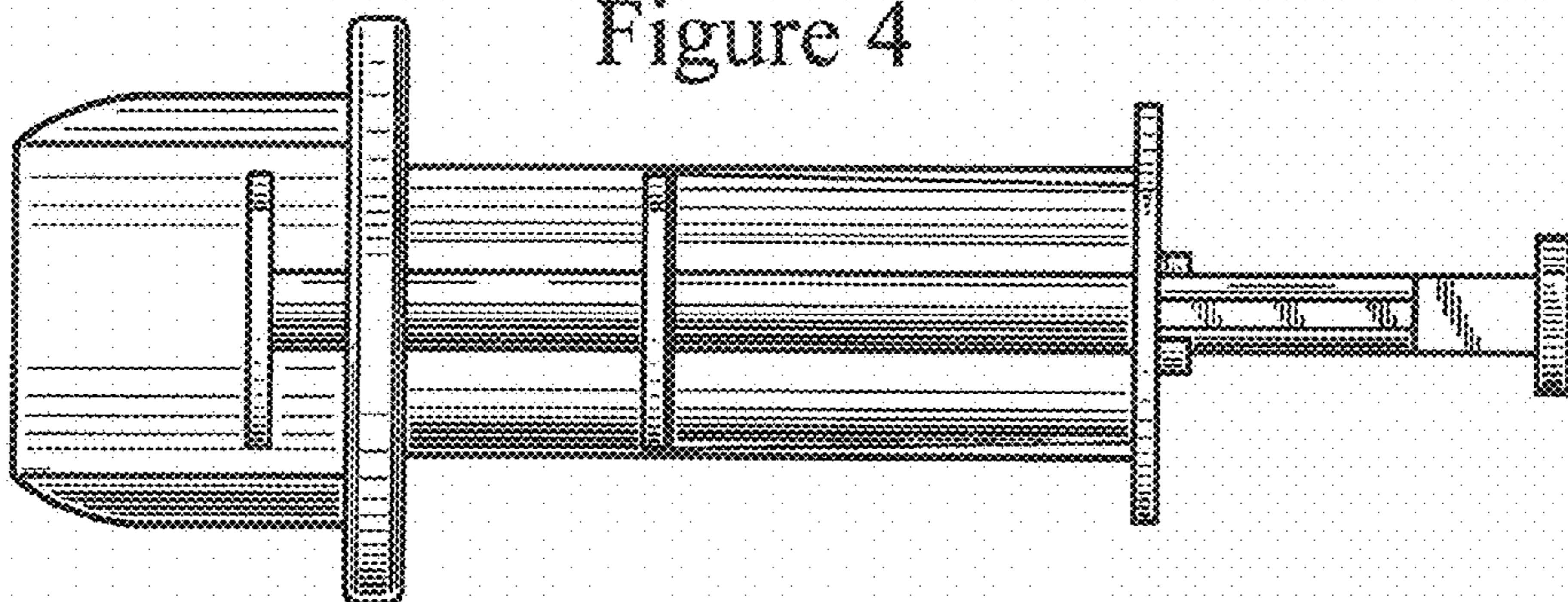


Figure 5

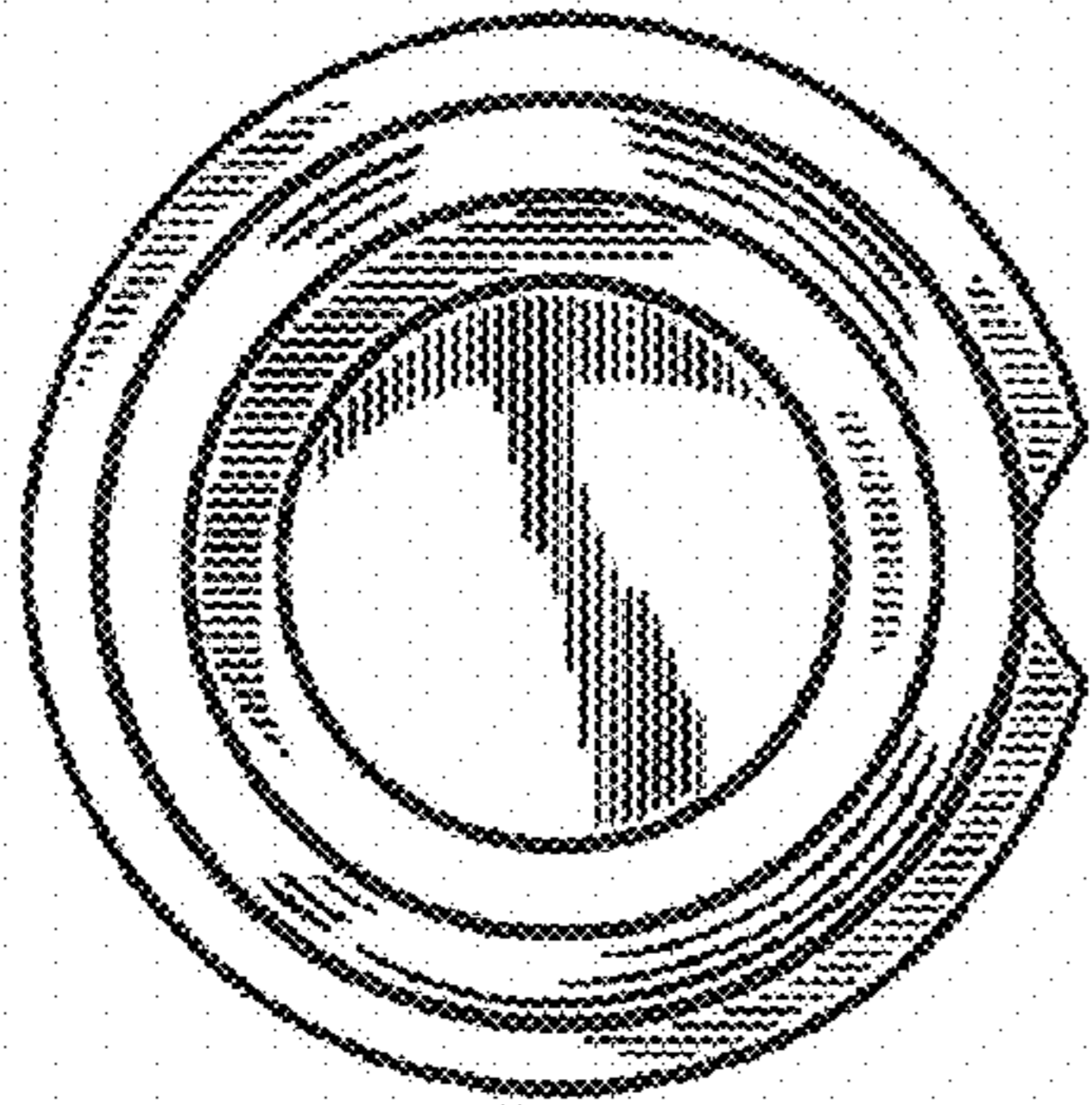


Figure 6

