



US00D673673S

(12) **United States Design Patent**  
**Wang**

(10) **Patent No.:** **US D673,673 S**

(45) **Date of Patent:** **\*\* Jan. 1, 2013**

(54) **TRANSPARENT Y-TYPE OF INTRAVENOUS DRIP INFUSION SET**

(76) Inventor: **Hsien-Tsung Wang**, Taipei (TW)

(\*\*) Term: **14 Years**

(21) Appl. No.: **29/371,688**

(22) Filed: **Jul. 11, 2011**

(51) **LOC (9) Cl.** ..... **24-02**

(52) **U.S. Cl.** ..... **D24/129**

(58) **Field of Classification Search** ..... D24/108,  
D24/112, 127, 129; 604/533, 246, 283, 177,  
604/179, 180, 171, 172, 174, 534, 535, 539,  
604/284, 248, 500

See application file for complete search history.

(56) **References Cited**

**U.S. PATENT DOCUMENTS**

D280,847	S	*	10/1985	Maddock	.....	D24/129
D323,889	S	*	2/1992	Wyatt et al.	.....	D24/129
5,356,396	A	*	10/1994	Wyatt et al.	.....	604/539
5,632,735	A	*	5/1997	Wyatt et al.	.....	604/539
6,171,287	B1	*	1/2001	Lynn et al.	.....	604/256
D492,030	S	*	6/2004	Rani	.....	D24/129
D506,828	S	*	6/2005	Layne et al.	.....	D24/129

7,338,476	B2	*	3/2008	Kraushaar	.....	604/251
7,470,261	B2	*	12/2008	Lynn	.....	604/256
7,628,775	B2	*	12/2009	Adams et al.	.....	604/284
D624,180	S	*	9/2010	Grant et al.	.....	D24/129
D634,007	S	*	3/2011	Zinger et al.	.....	D24/129
2005/0267404	A1	*	12/2005	Kraushaar	.....	604/80
2006/0264854	A1	*	11/2006	Fangrow	.....	604/284

\* cited by examiner

*Primary Examiner* — Eric Goodman

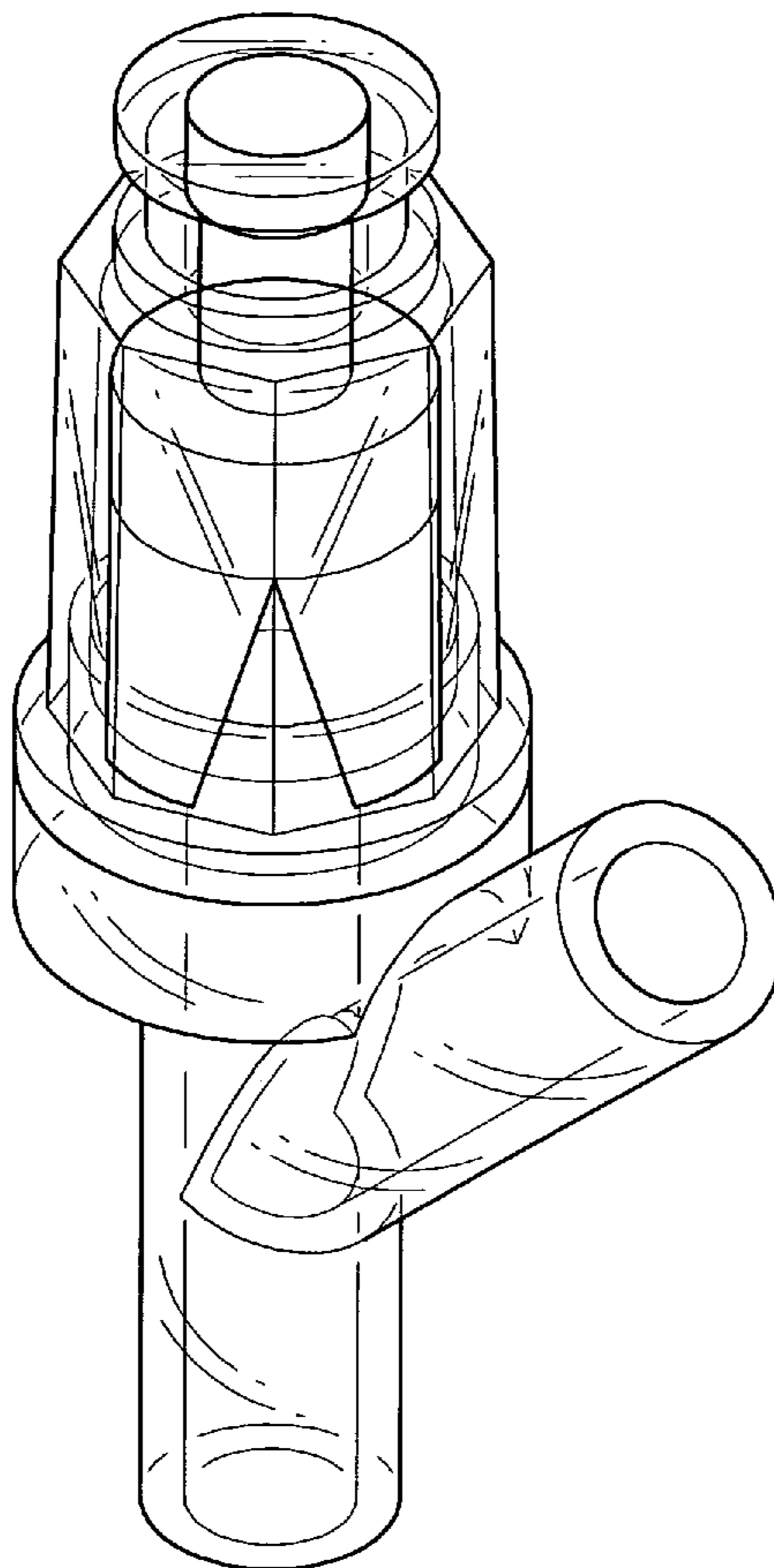
(57) **CLAIM**

The ornamental design for a transparent Y-type of intravenous drip infusion set, as shown and described.

**DESCRIPTION**

FIG. 1 is a perspective view showing my new design for a transparent Y-type of intravenous drip infusion set;  
FIG. 2 is a front view thereof;  
FIG. 3 is a rear view thereof;  
FIG. 4 is a left view thereof;  
FIG. 5 is a right view thereof;  
FIG. 6 is a top view thereof; and,  
FIG. 7 is a bottom view thereof.

**1 Claim, 5 Drawing Sheets**



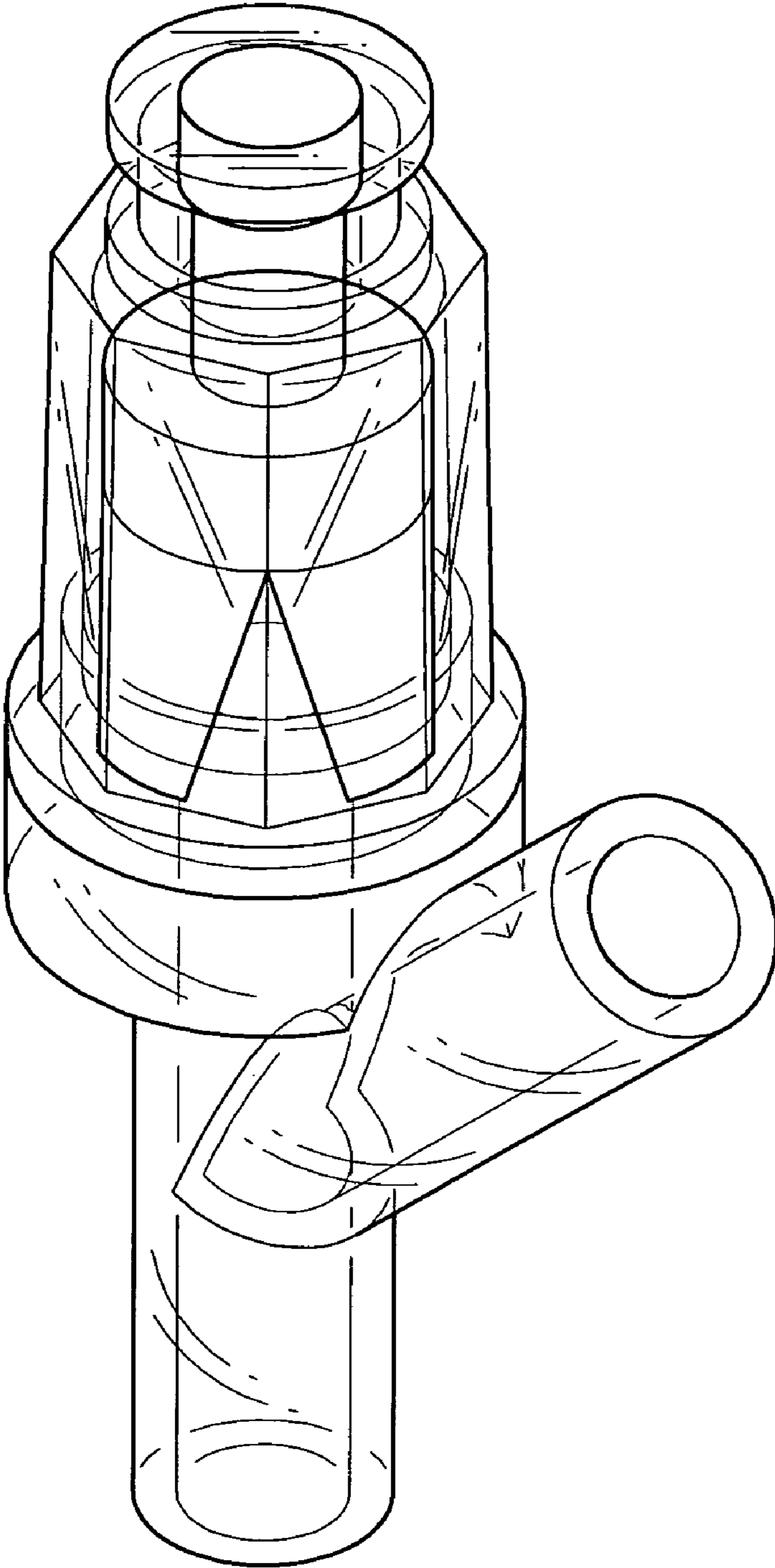


FIG. 1

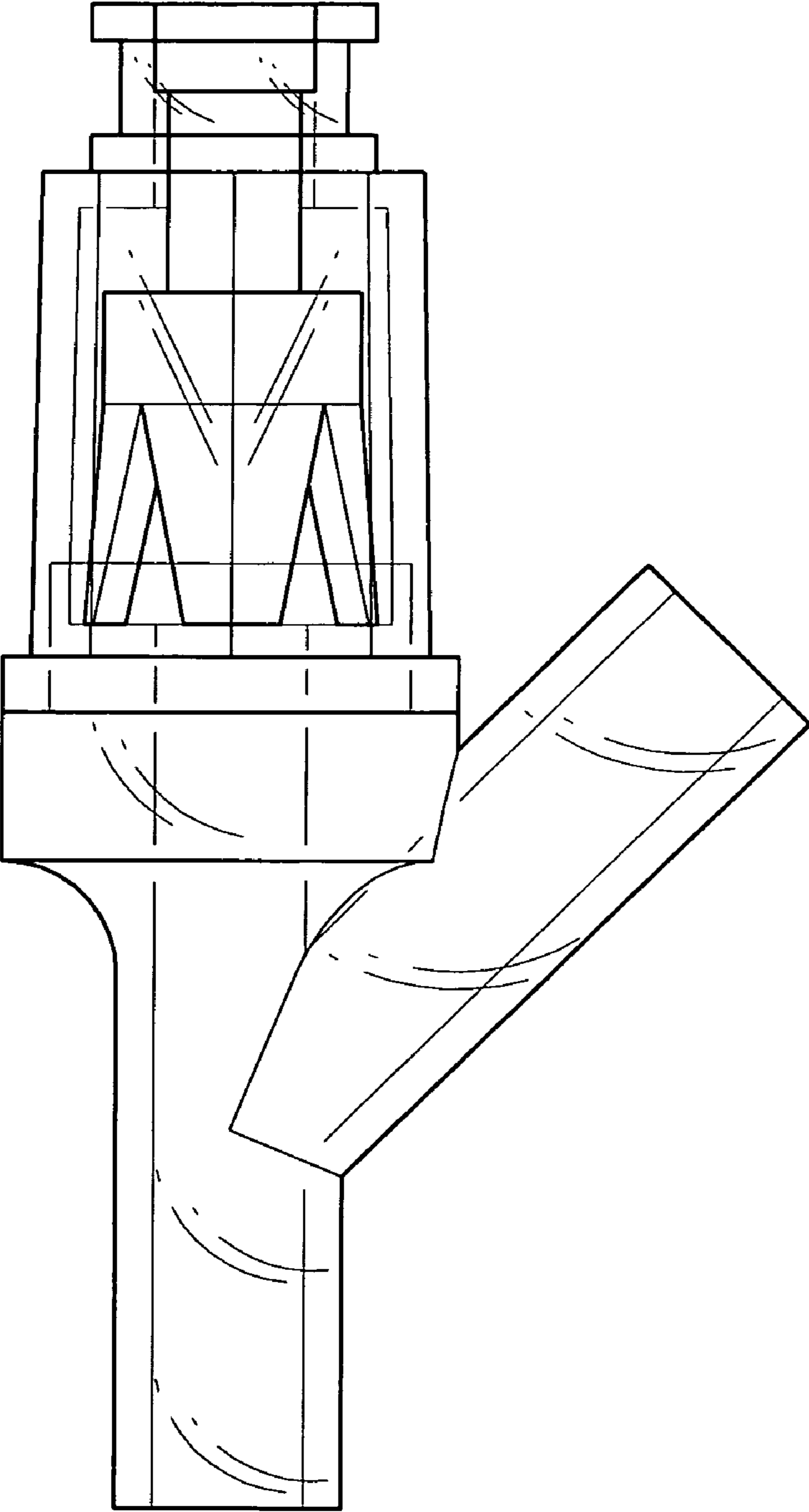


FIG.2

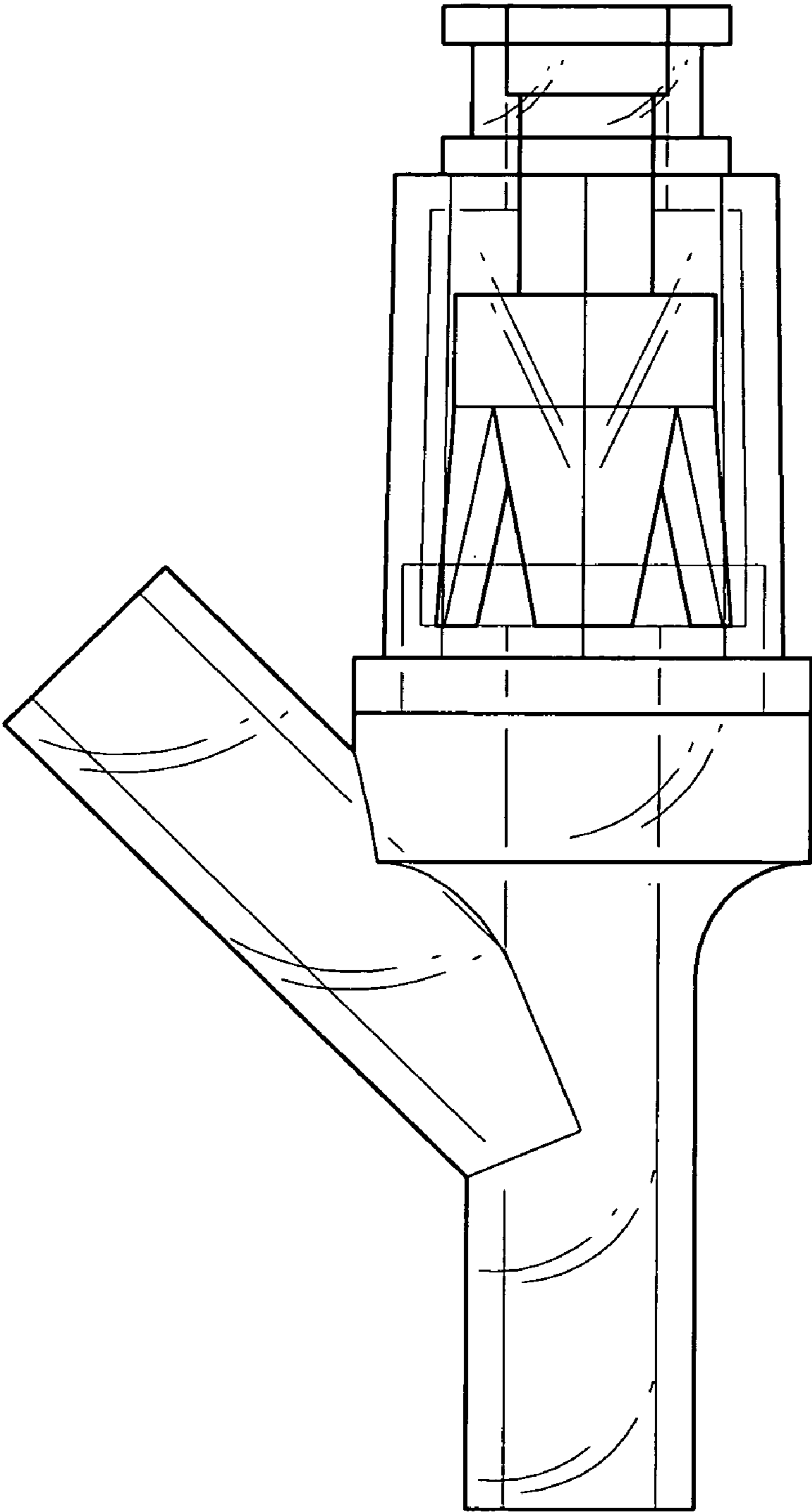


FIG.3

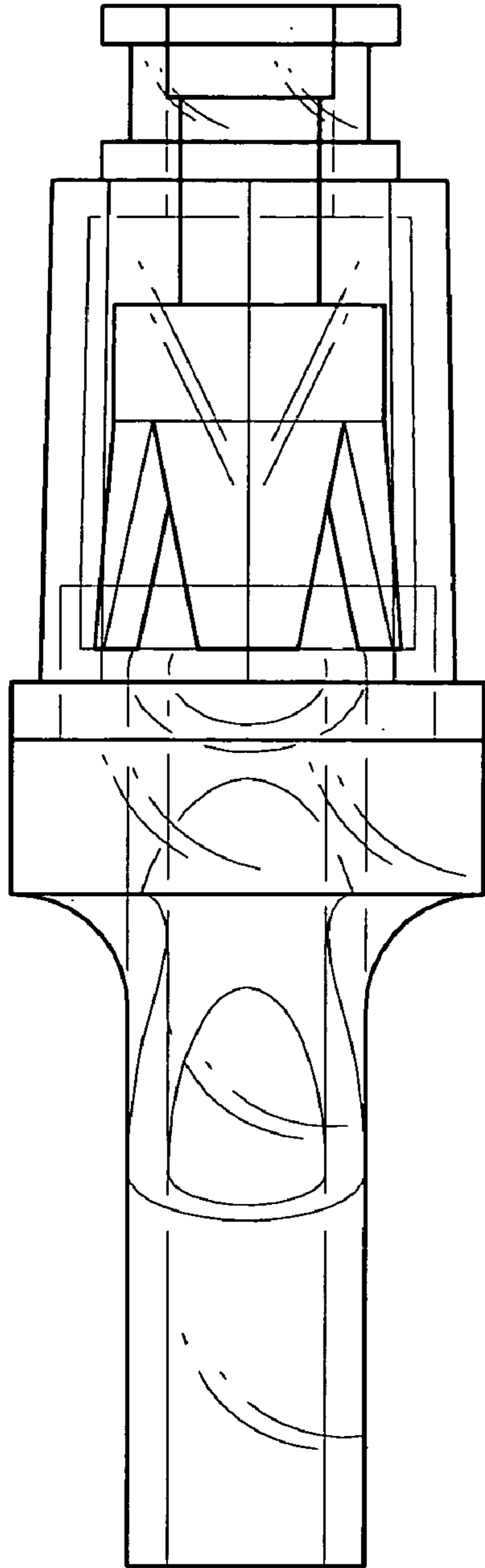


FIG.4

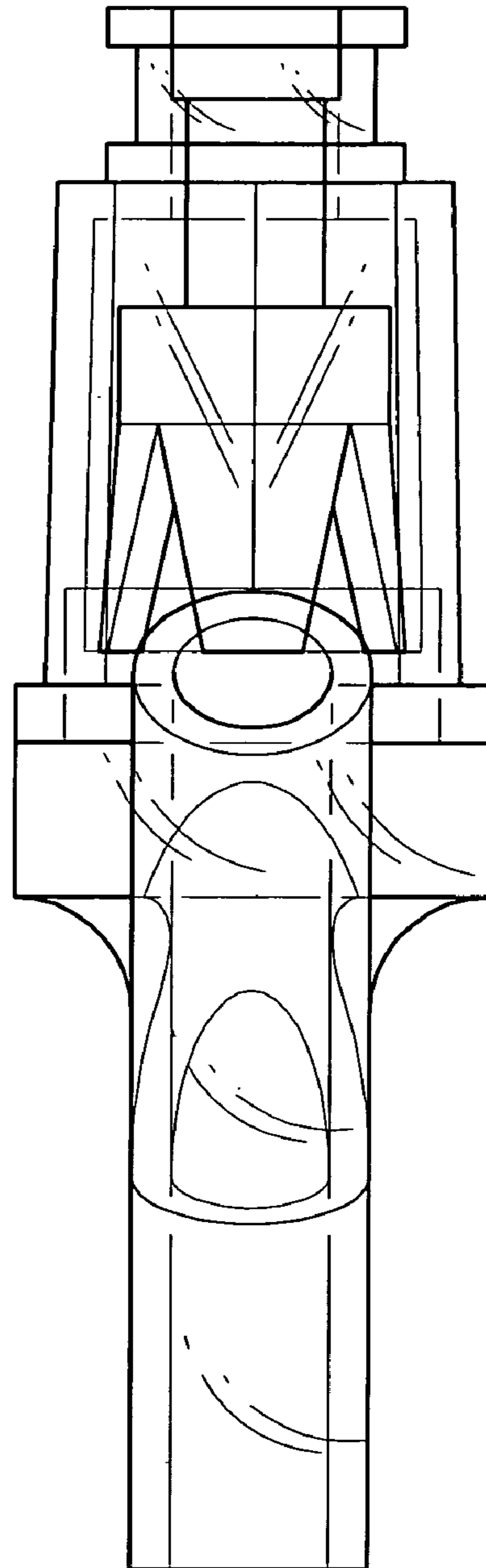


FIG.5

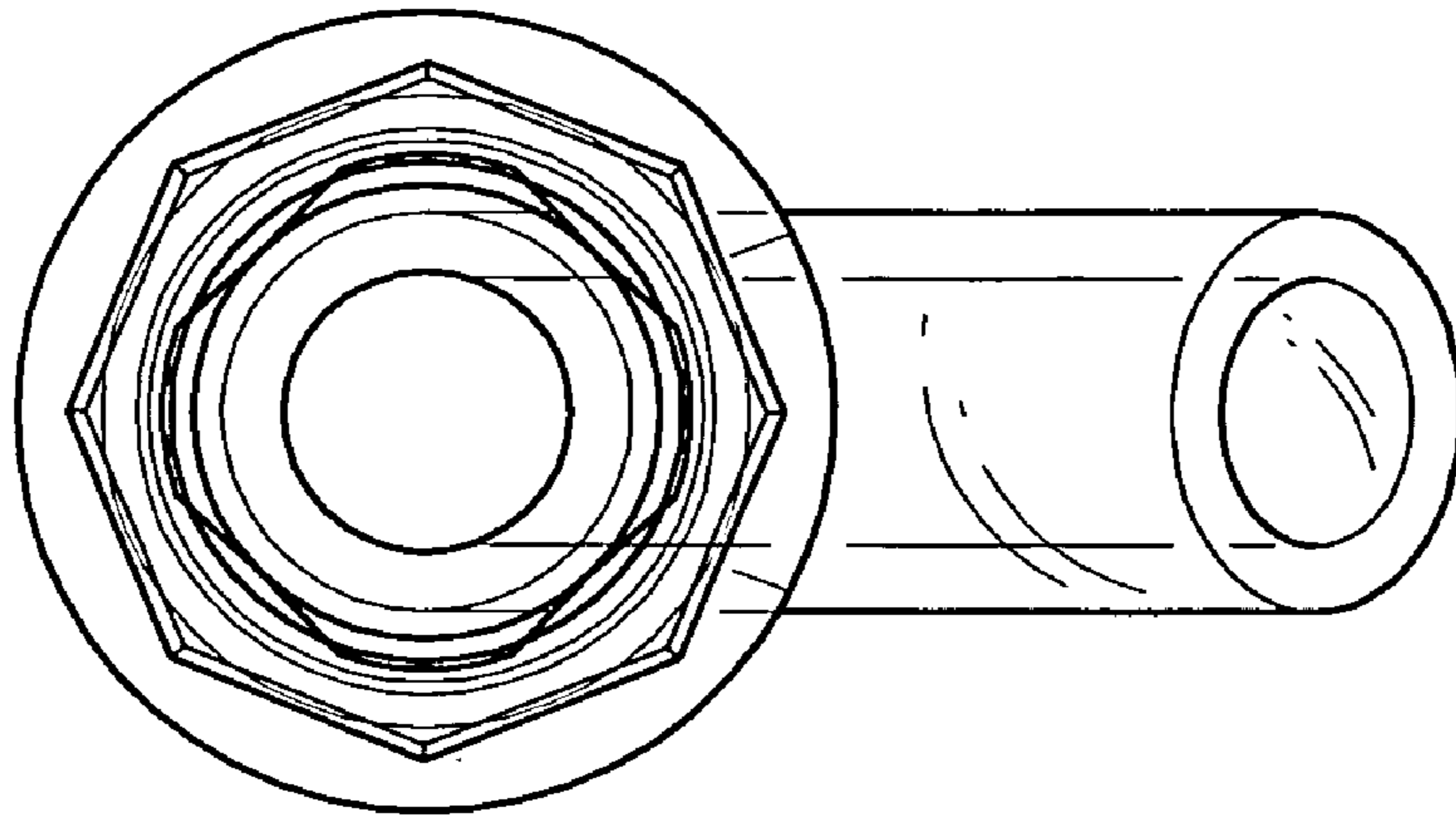


FIG. 6

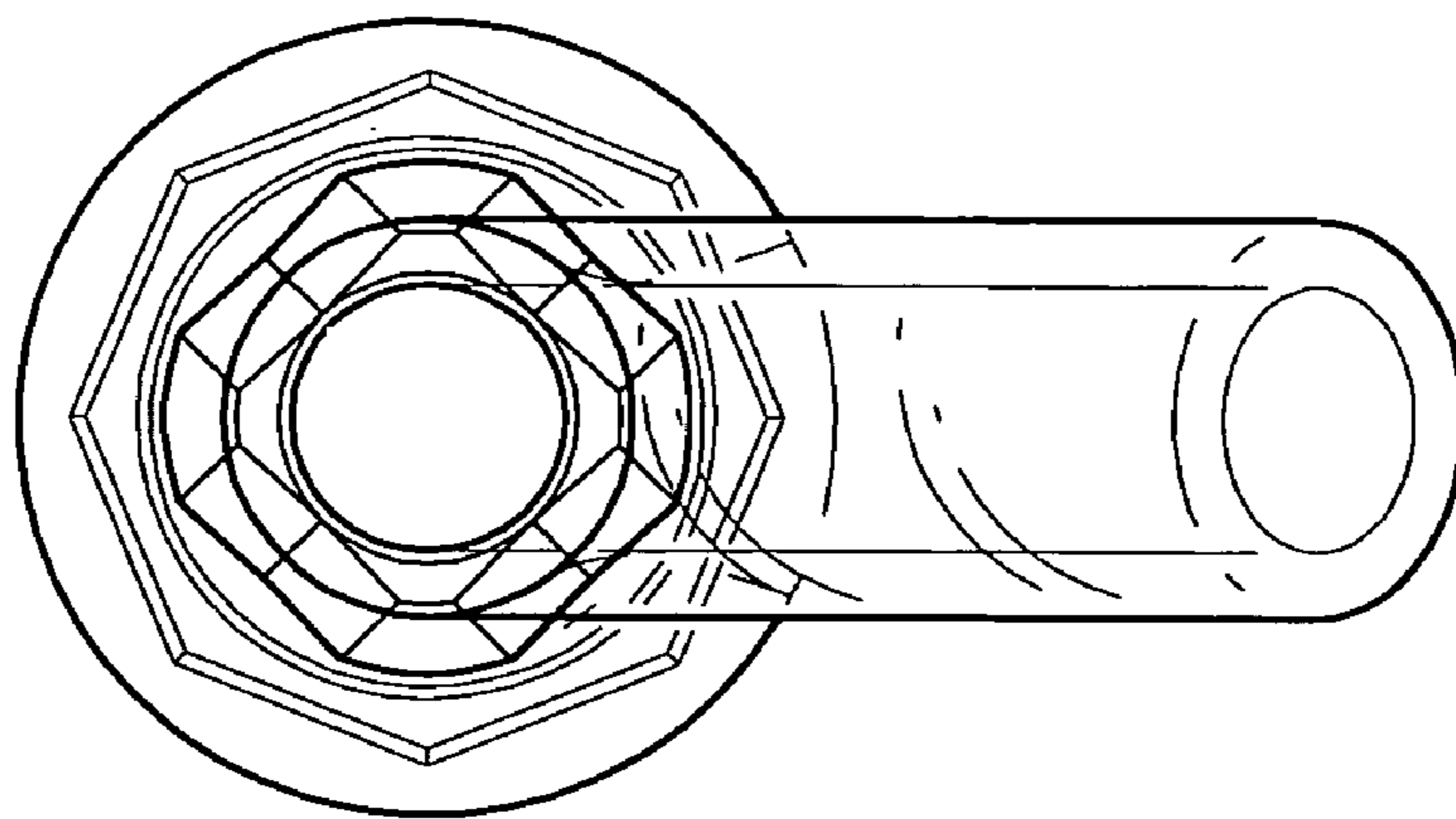


FIG. 7