



US00D673670S

(12) **United States Design Patent**
Linnenschmidt

(10) **Patent No.:** **US D673,670 S**

(45) **Date of Patent:** **** Jan. 1, 2013**

(54) **PUNCTURE CANNULA**

(75) Inventor: **Fred Linnenschmidt**, Tuttlingen (DE)

(73) Assignee: **MTP Medical Technical Promotion GmbH** (DE)

(**) Term: **14 Years**

(21) Appl. No.: **29/411,442**

(22) Filed: **Jan. 20, 2012**

(30) **Foreign Application Priority Data**

Jul. 21, 2011 (GB) 4021359

(51) **LOC (9) Cl.** **24-02**

(52) **U.S. Cl.** **D24/112**

(58) **Field of Classification Search** D24/112-114,
D24/133, 186, 130, 127, 129; 606/181, 185;
604/164.01-164.09, 533, 232, 187, 168.01,
604/192, 19, 48, 93.01, 264, 523, 524, 526,
604/22; 600/101, 139, 143; 128/200.24,
128/207.14, 207.15

See application file for complete search history.

(56) **References Cited**

U.S. PATENT DOCUMENTS

| | | | | | |
|-----------|-----|---------|-----------------|-------|------------|
| 4,060,083 | A * | 11/1977 | Hanson | | D24/114 |
| 4,735,604 | A * | 4/1988 | Watmough et al. | | 604/22 |
| D313,277 | S * | 12/1990 | Haining | | D24/129 |
| D321,252 | S * | 10/1991 | Jepson et al. | | D24/112 |
| 5,167,640 | A * | 12/1992 | Balding | | D24/130 |
| 5,312,351 | A * | 5/1994 | Gerrone | | 604/167.01 |
| D353,456 | S * | 12/1994 | Fayngold et al. | | D24/130 |
| D358,465 | S * | 5/1995 | Klein et al. | | D24/112 |
| D365,630 | S * | 12/1995 | Sullivan | | D24/112 |
| D372,403 | S * | 8/1996 | Jensen | | D24/114 |
| 5,562,631 | A * | 10/1996 | Bogert | | 604/192 |
| 5,645,556 | A * | 7/1997 | Yoon | | 606/185 |
| D397,217 | S * | 8/1998 | Brookfield | | D24/130 |

* cited by examiner

Primary Examiner — David Muller

(74) *Attorney, Agent, or Firm* — St. Onge Steward Johnston & Reens LLC

(57) **CLAIM**

The ornamental design for a puncture cannula, as shown and described.

DESCRIPTION

FIG. 1 is a front left side isometric view of a puncture cannula in accordance with the new design, showing the cap separated;

FIG. 2 is a front left side isometric view thereof with the cap on;

FIG. 3 is a rear isometric view thereof;

FIG. 4 is a left side elevation view thereof, the right side elevation view being a mirror image;

FIG. 5 is a top plan view thereof, the bottom plan view being a mirror image;

FIG. 6 is a front elevation view thereof.

FIG. 7 is a front left side isometric view of the puncture cannula of FIG. 1, with the cap removed for ease of illustration;

FIG. 8 is a left side elevation view thereof, a right side elevation view being a mirror image thereof;

FIG. 9 is a top plan view thereof;

FIG. 10 is a bottom plan view thereof;

FIG. 11 is a front elevation view thereof;

FIG. 12 is a rear elevation view thereof.

FIG. 13 is a top left side isometric view of the cap of FIG. 1, with the rest of the cannula omitted for ease of illustration;

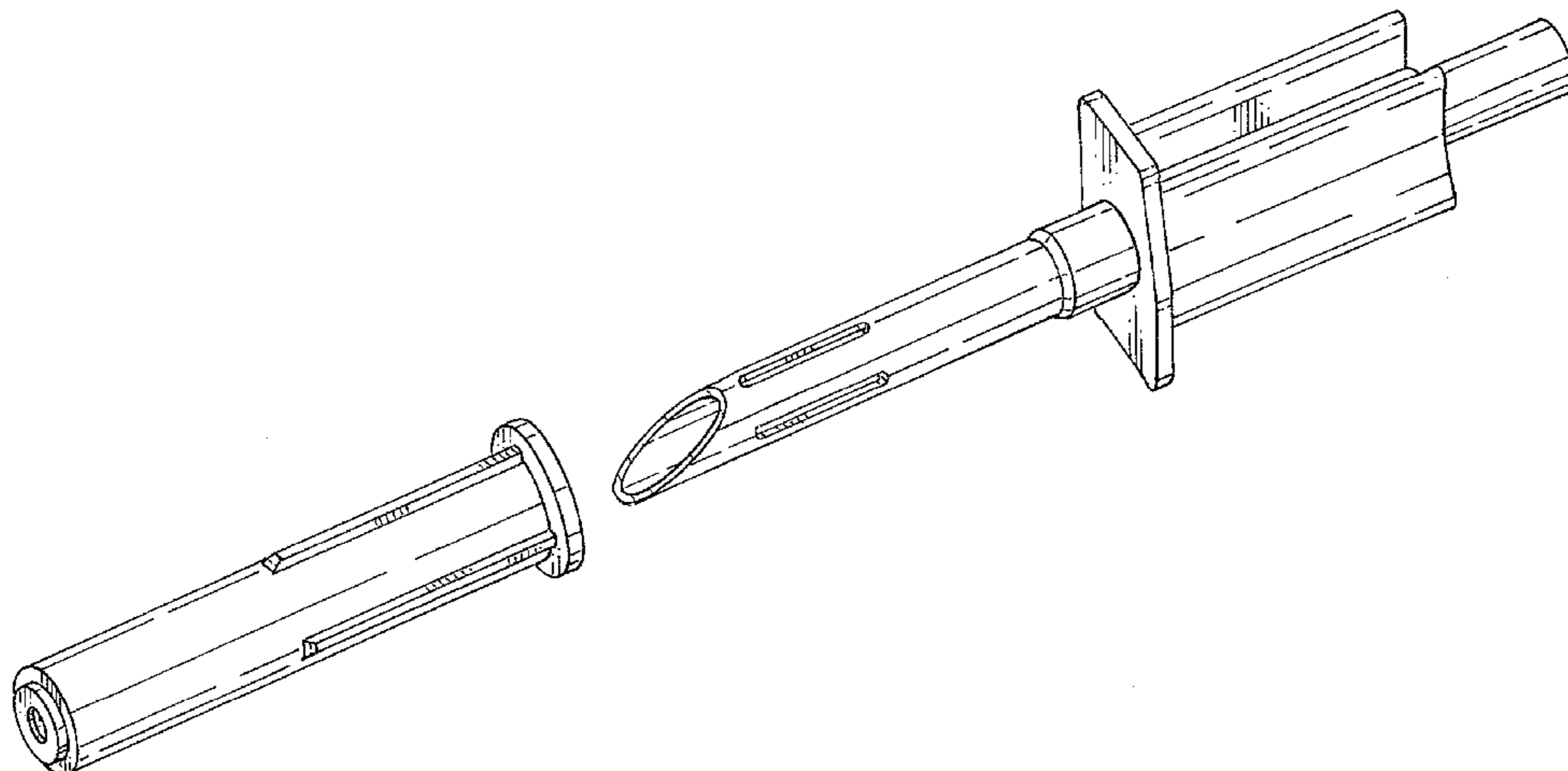
FIG. 14 is a left side elevation view thereof, the right side elevation view being a mirror image;

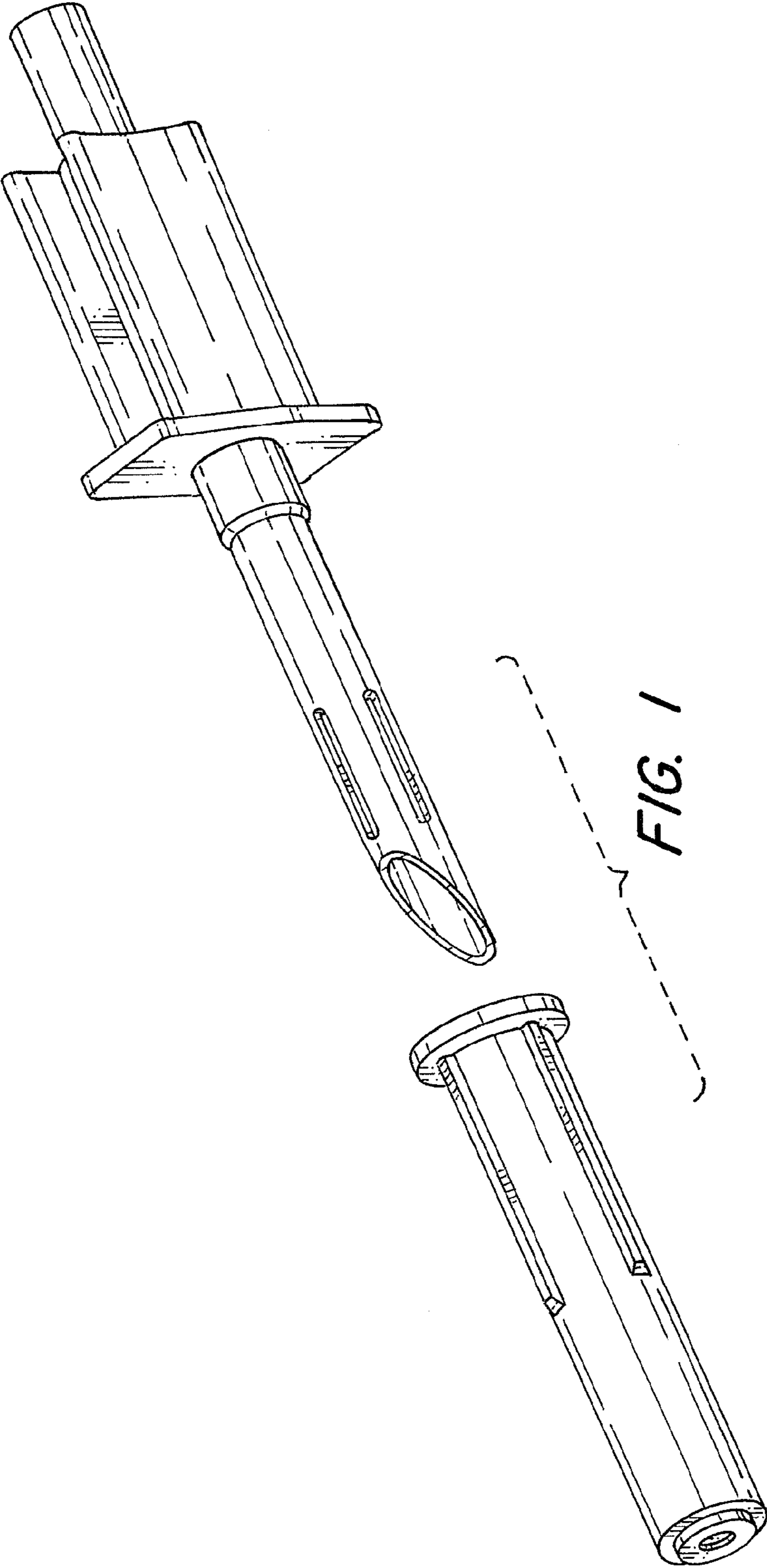
FIG. 15 is a front elevation view thereof; and,

FIG. 16 is a rear elevation view thereof.

The broken line showing in FIGS. 11, 12, and 16 depict environmental subject matter only, with the lines themselves and the areas within them forming no part of the claimed design.

1 Claim, 6 Drawing Sheets





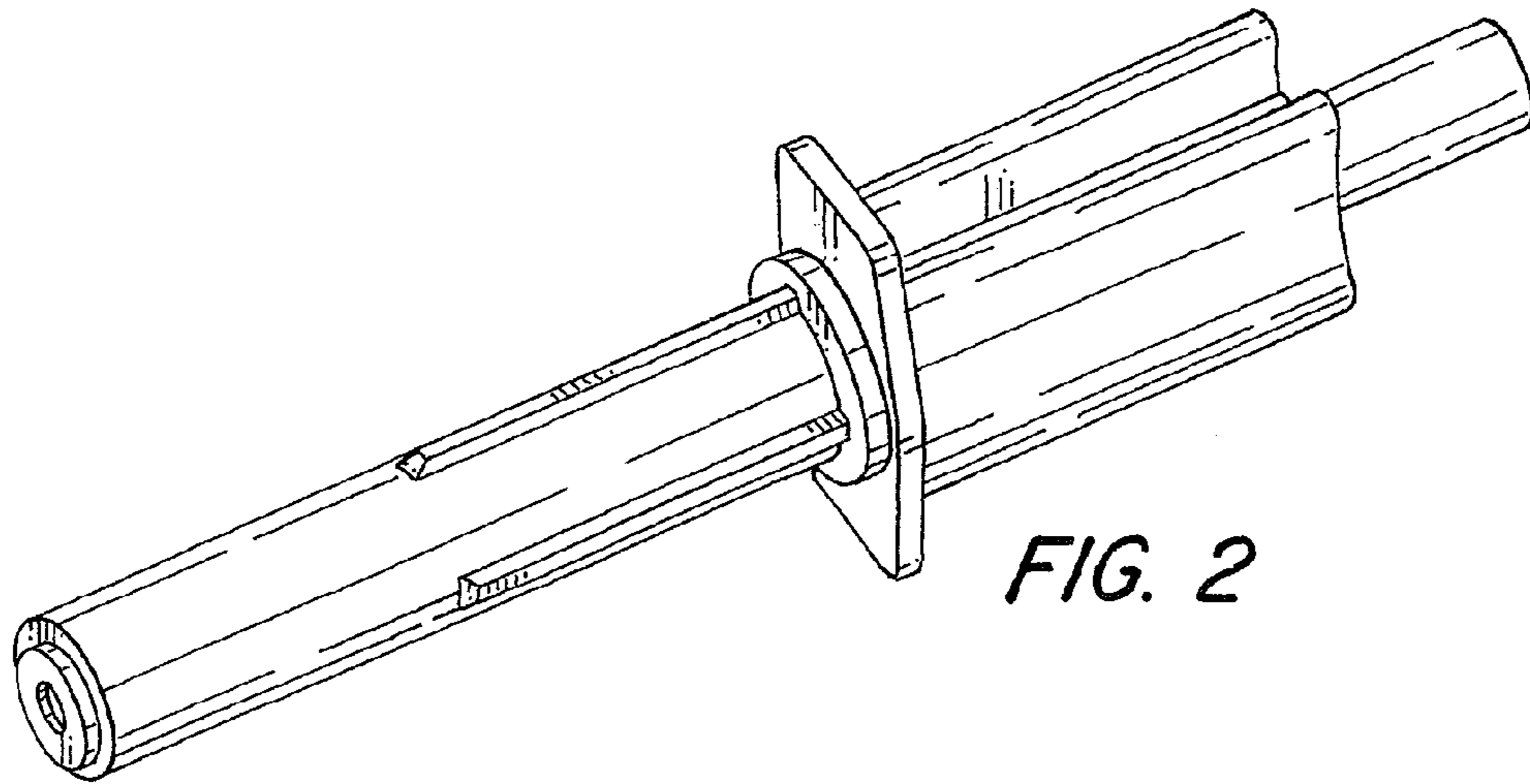


FIG. 2

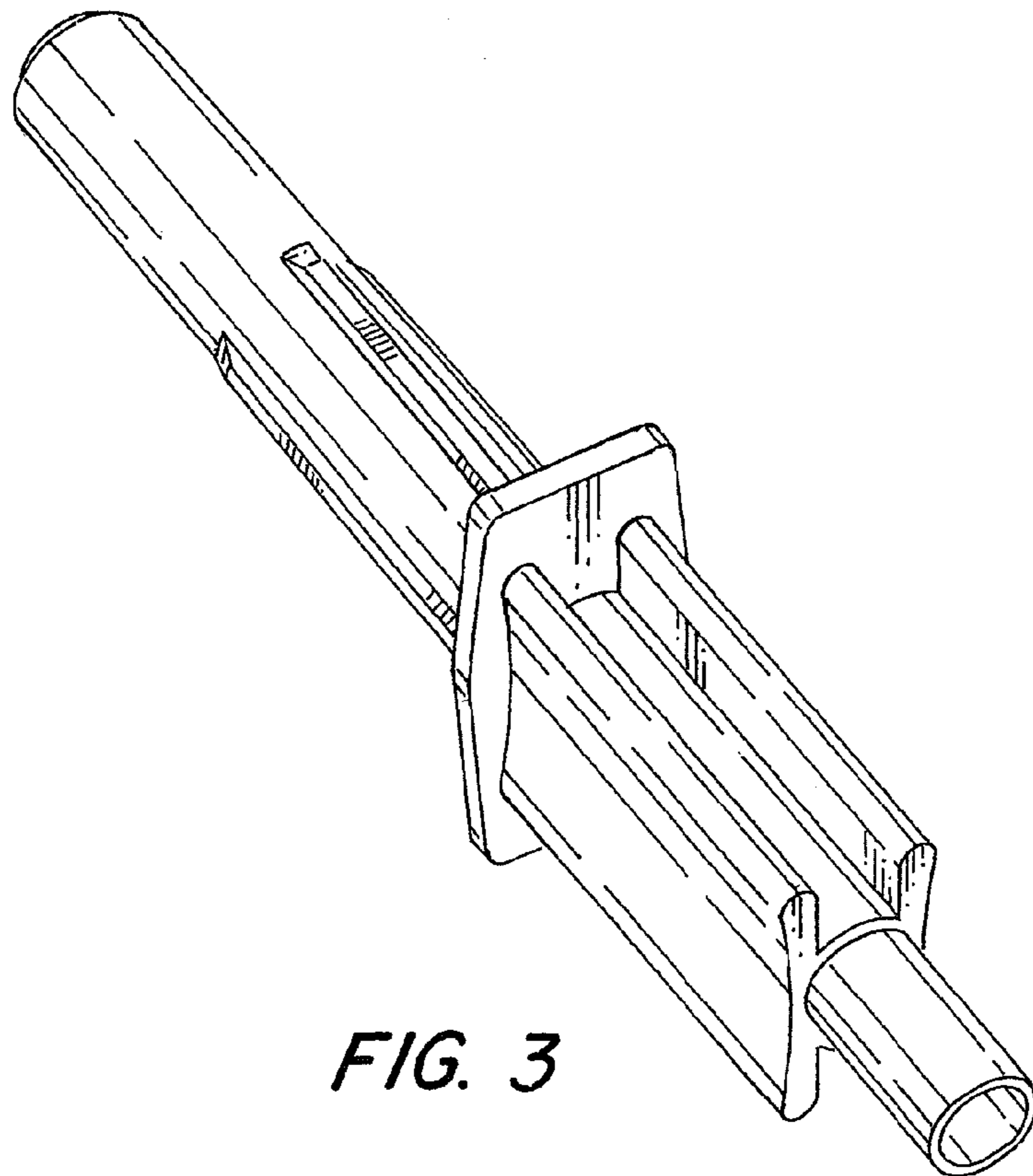


FIG. 3

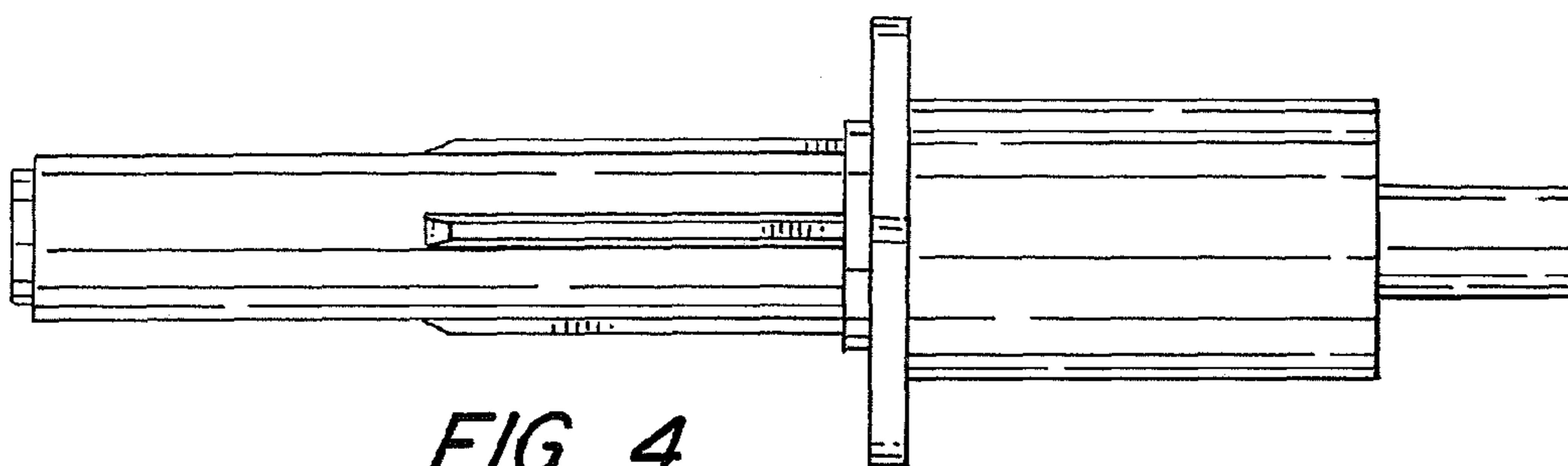


FIG. 4

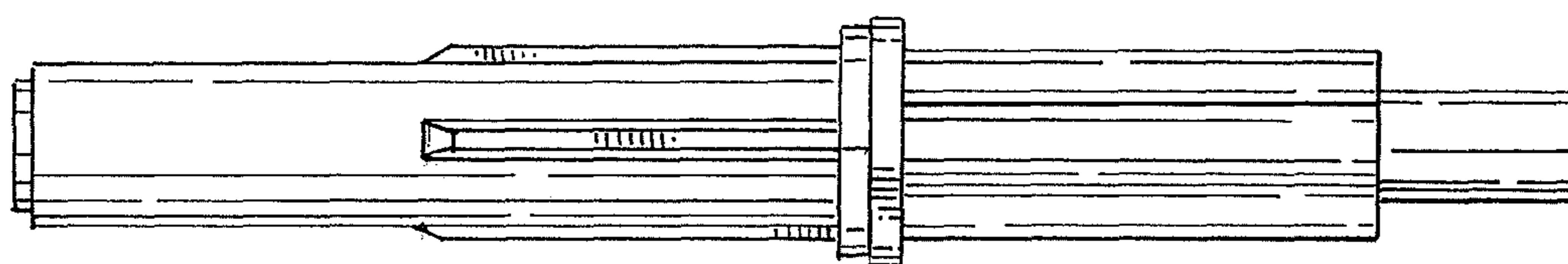


FIG. 5

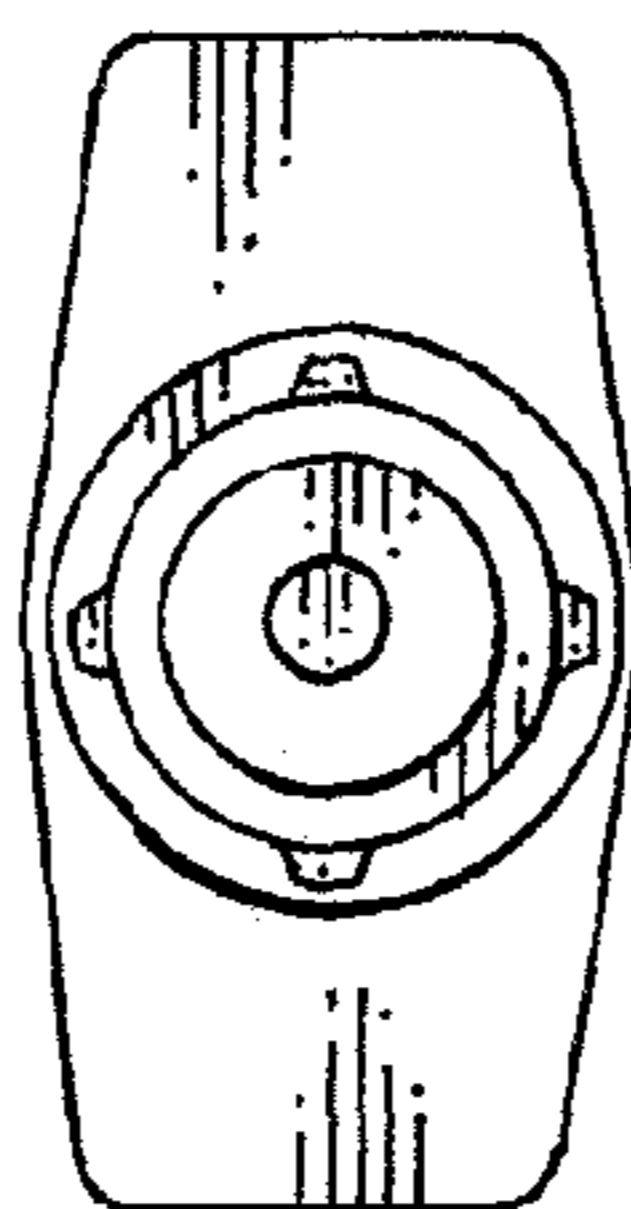


FIG. 6

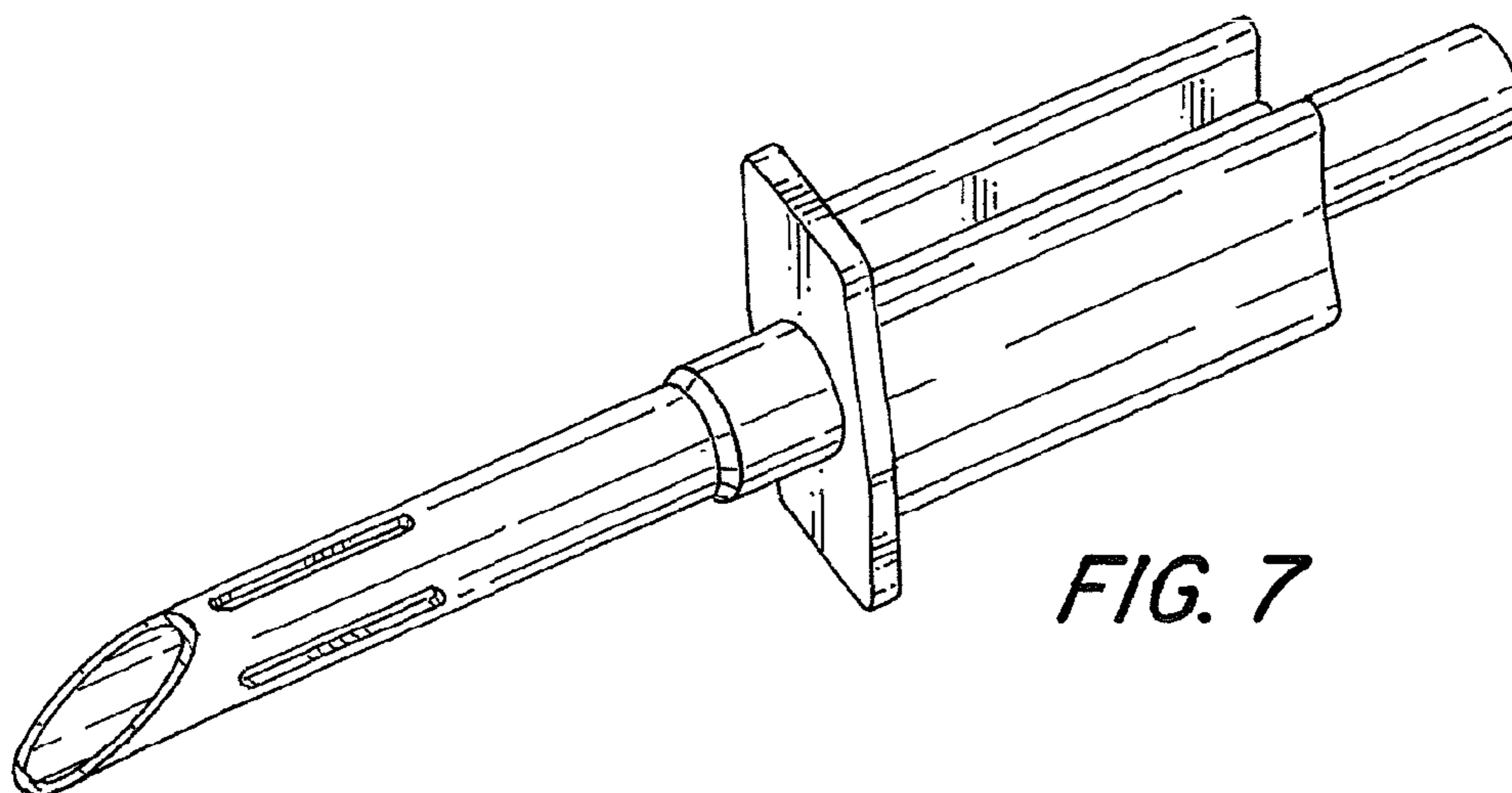


FIG. 7

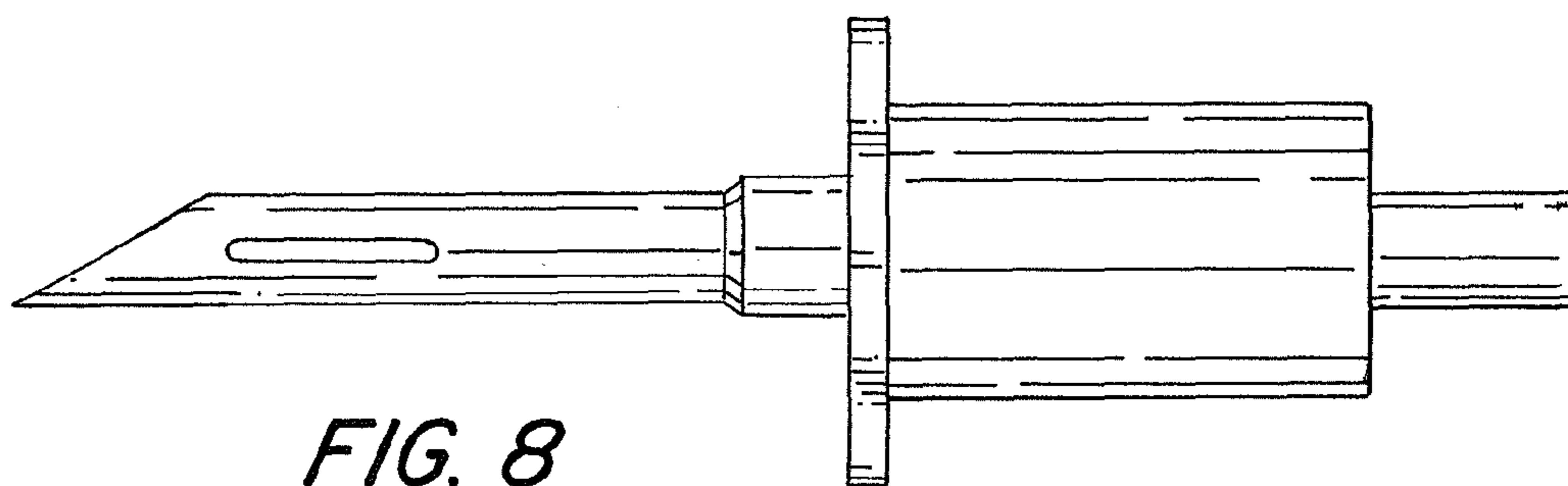


FIG. 8

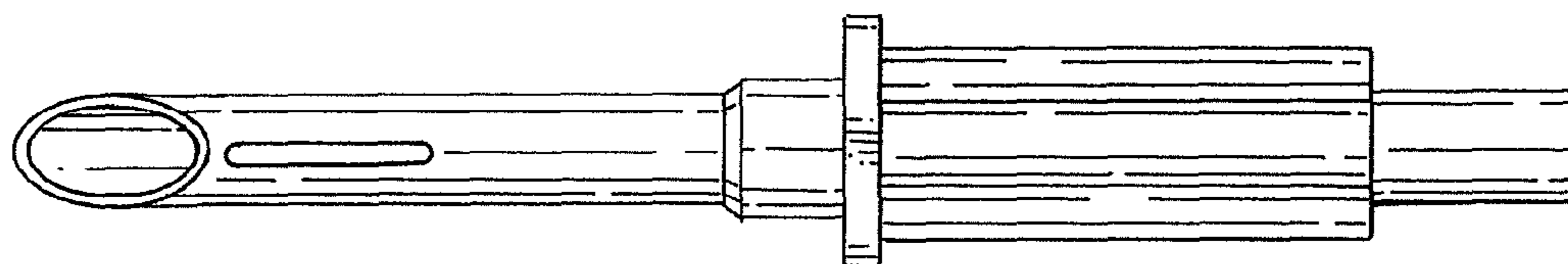


FIG. 9

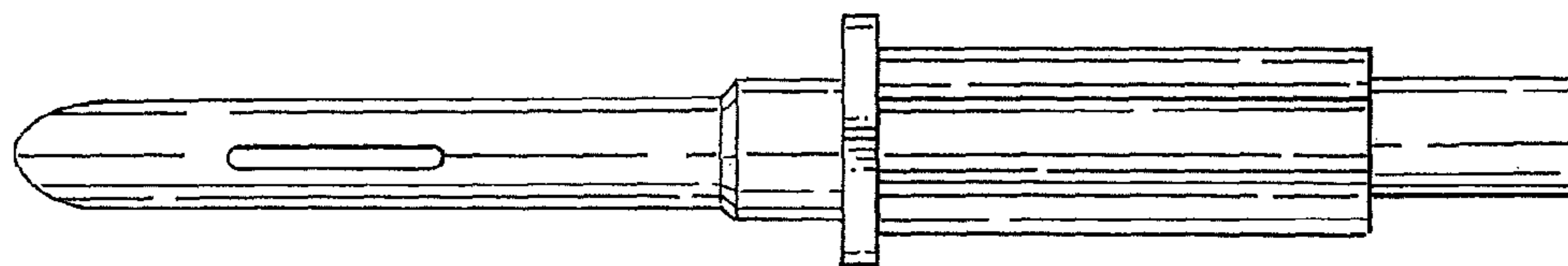


FIG. 10

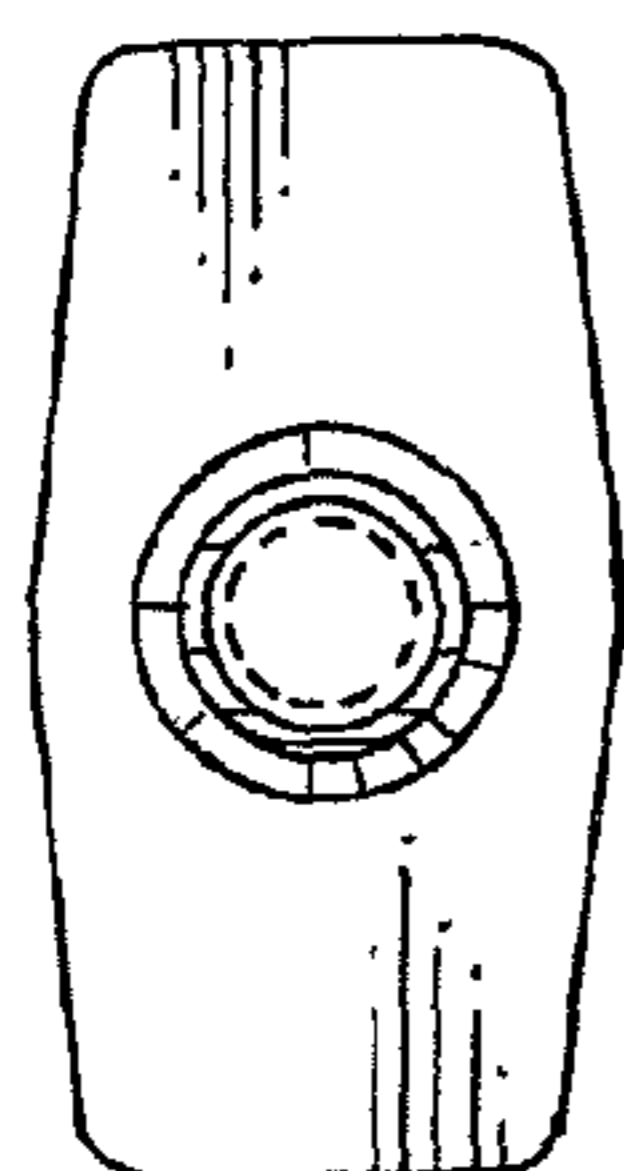


FIG. 11

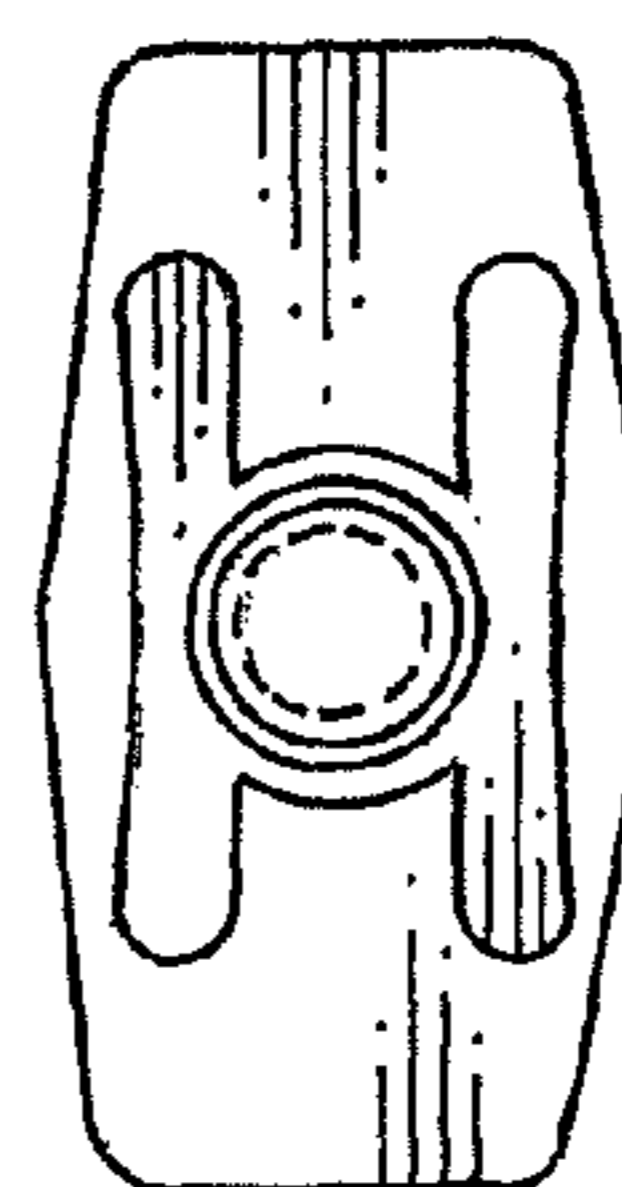


FIG. 12

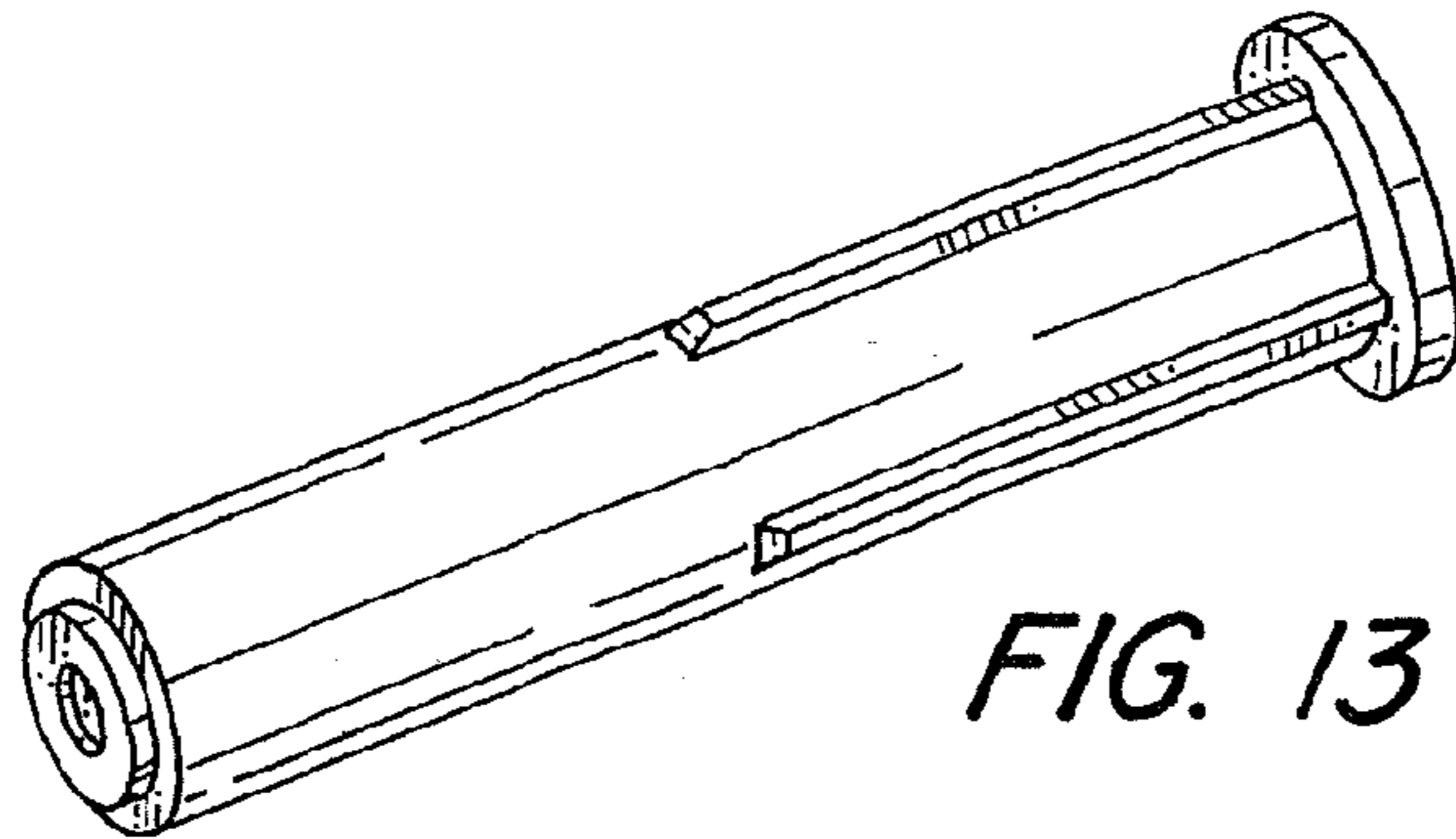


FIG. 13

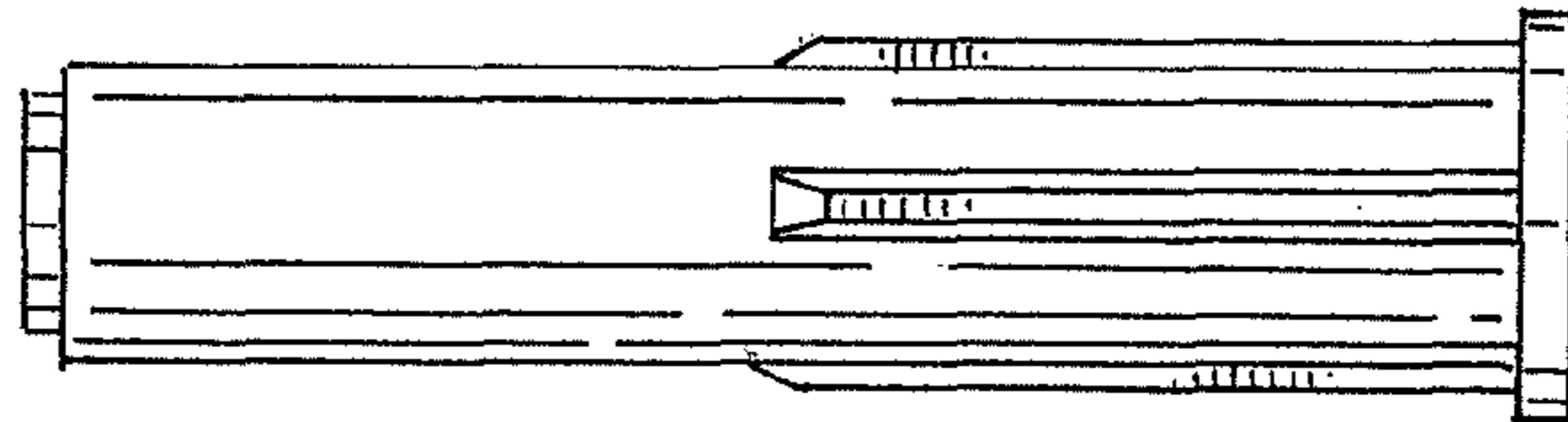


FIG. 14

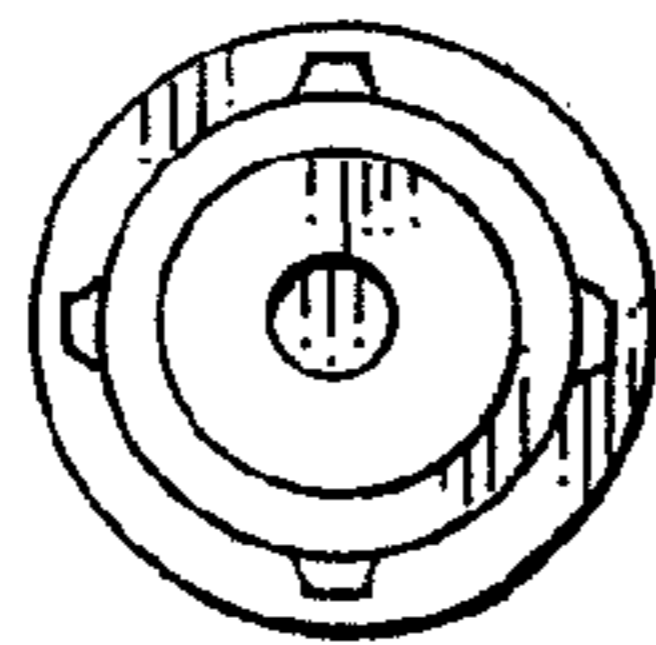


FIG. 15

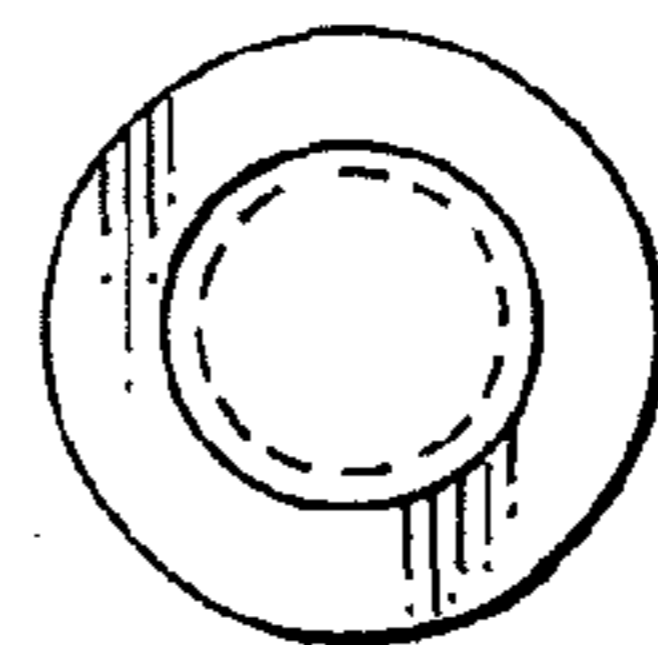


FIG. 16